



US00D895086S

(12) **United States Design Patent**  
**Lee**

(10) **Patent No.:** **US D895,086 S**

(45) **Date of Patent:** **\*\* Sep. 1, 2020**

- (54) **BIDET**
- (71) Applicant: **Coway Co., Ltd.**,  
Choongcheongnam-do (KR)
- (72) Inventor: **Nari Lee**, Seoul (KR)
- (73) Assignee: **COWAY CO., LTD.**,  
Choongcheongnam-do (KR)

- (\*\*) Term: **15 Years**
- (21) Appl. No.: **29/672,293**
- (22) Filed: **Dec. 4, 2018**

(30) **Foreign Application Priority Data**

Jun. 5, 2018 (KR) ..... 30-2018-0026098

- (51) **LOC (12) Cl.** ..... **23-02**
- (52) **U.S. Cl.**  
USPC ..... **D23/311**
- (58) **Field of Classification Search**  
USPC ..... D23/295, 300-301, 309, 311-312  
CPC ..... A47K 13/00; A47K 13/16; A47K 13/02;  
A47K 13/12; A47K 13/14  
See application file for complete search history.

(56) **References Cited**

**U.S. PATENT DOCUMENTS**

- D870,867 S \* 12/2019 Xing ..... D23/311
- 2016/0015226 A1\* 1/2016 Chen ..... A47K 13/06  
4/235

- 2016/0037982 A1\* 2/2016 Zhou ..... A47K 13/12  
4/240
- 2016/0157685 A1\* 6/2016 Shi ..... A47K 13/12  
4/236
- 2017/0030067 A1\* 2/2017 Jin ..... A61H 35/00
- 2018/0049608 A1\* 2/2018 Takeshita ..... A47K 13/00
- 2019/0200820 A1\* 7/2019 Mochita ..... A47K 13/14
- 2019/0313863 A1\* 10/2019 Laundre ..... A47K 13/12
- 2019/0350418 A1\* 11/2019 Yang ..... A47K 13/12
- 2020/0100632 A1\* 4/2020 Inada ..... A47K 13/02

\* cited by examiner

*Primary Examiner* — Robert A Delehanty

(74) *Attorney, Agent, or Firm* — Millen, White, Zelano & Branigan, P.C.; William Nixon

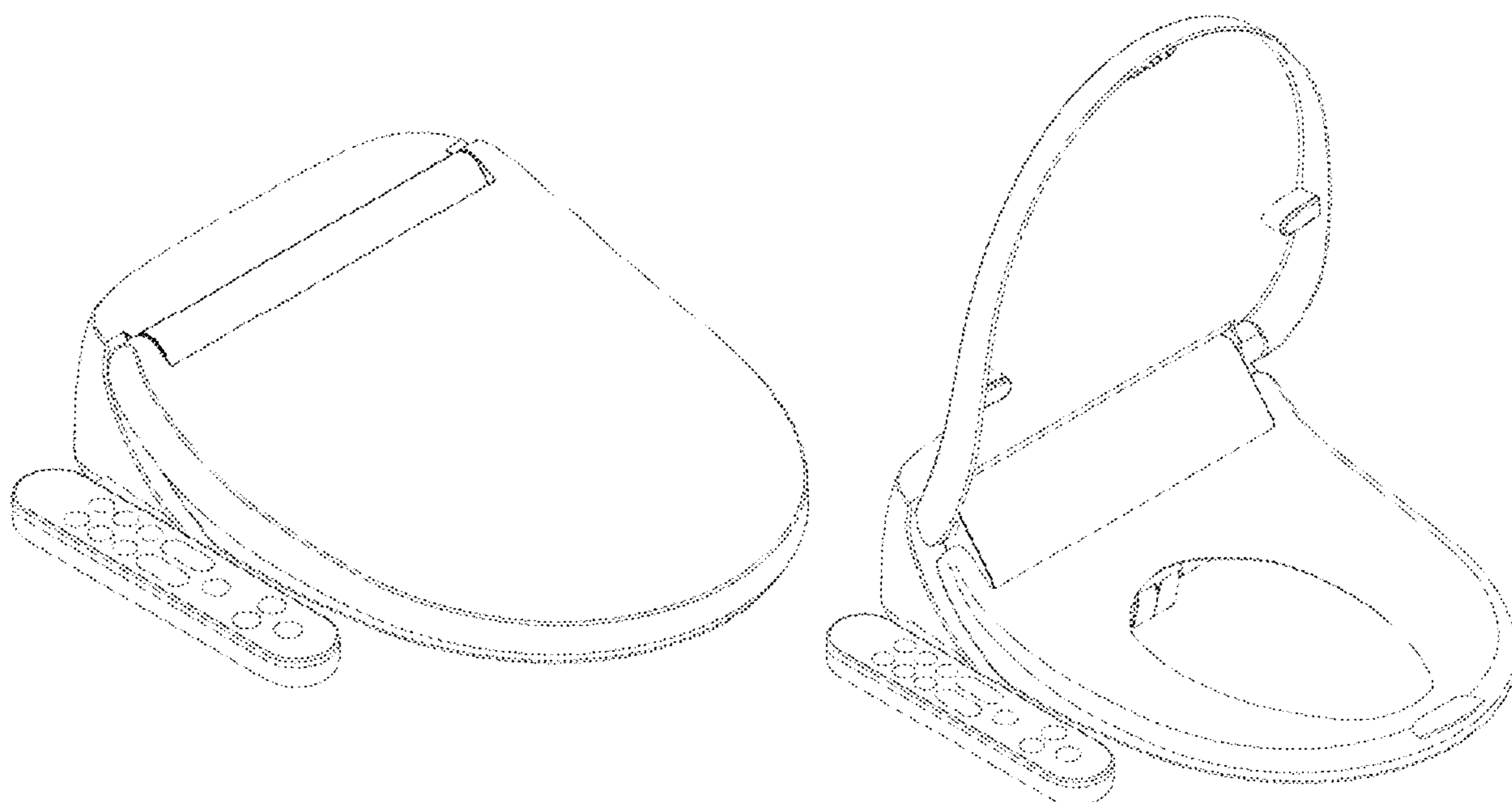
(57) **CLAIM**

The ornamental design for a bidet, as shown and described.

**DESCRIPTION**

FIG. 1 illustrates a front perspective view of the bidet showing my new design;  
 FIG. 2 illustrates a front elevational view thereof;  
 FIG. 3 illustrates a rear elevational view thereof;  
 FIG. 4 illustrates a left side elevational view thereof;  
 FIG. 5 illustrates a right side elevational view thereof;  
 FIG. 6 illustrates a top plan view thereof;  
 FIG. 7 illustrates a bottom plan view thereof; and,  
 FIG. 8 illustrates a front perspective view of the bidet in an open configuration.  
 The broken lines shown throughout the views depict unclaimed portions of the design and form no part of the claimed design.

**1 Claim, 8 Drawing Sheets**



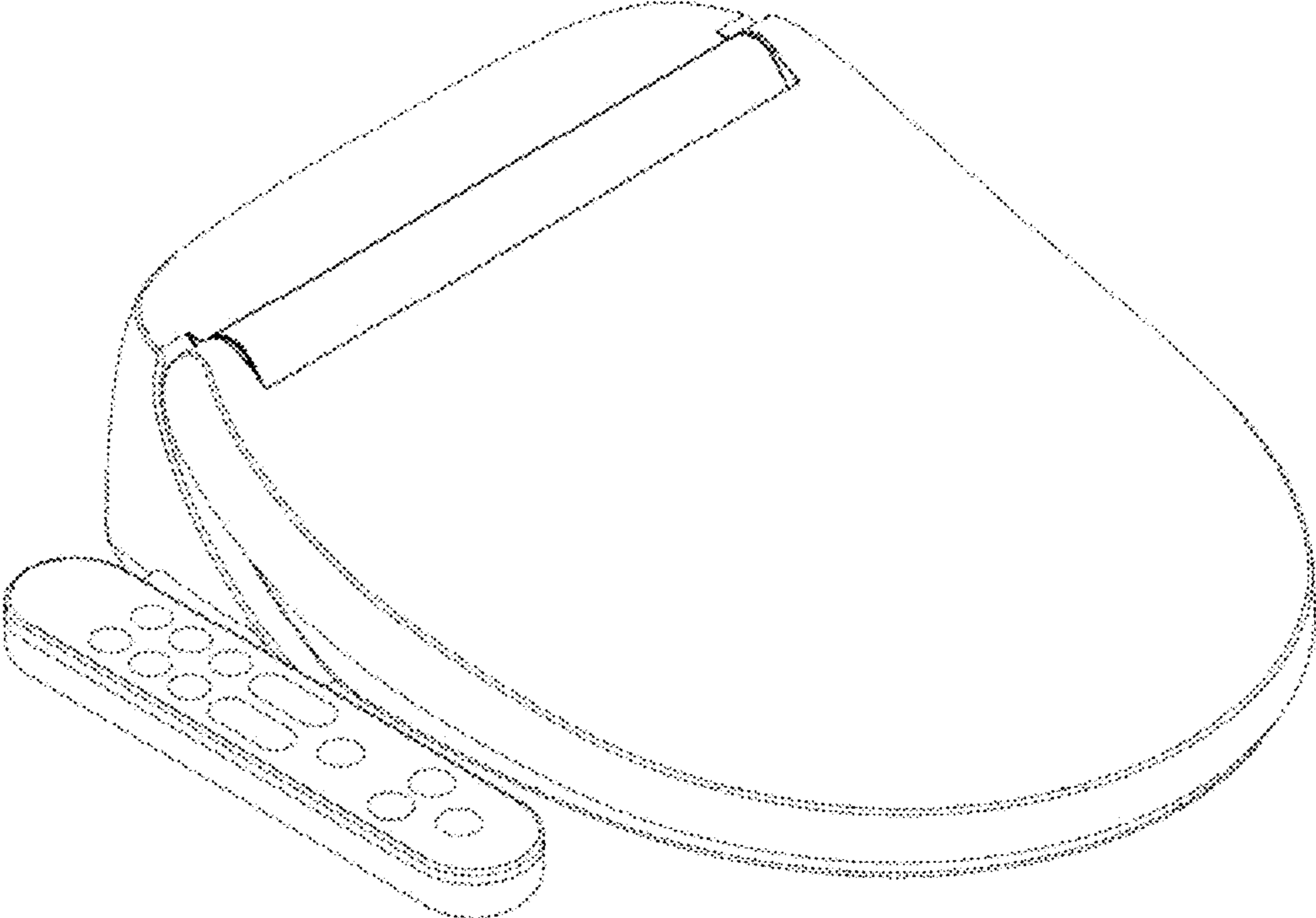


FIG 1

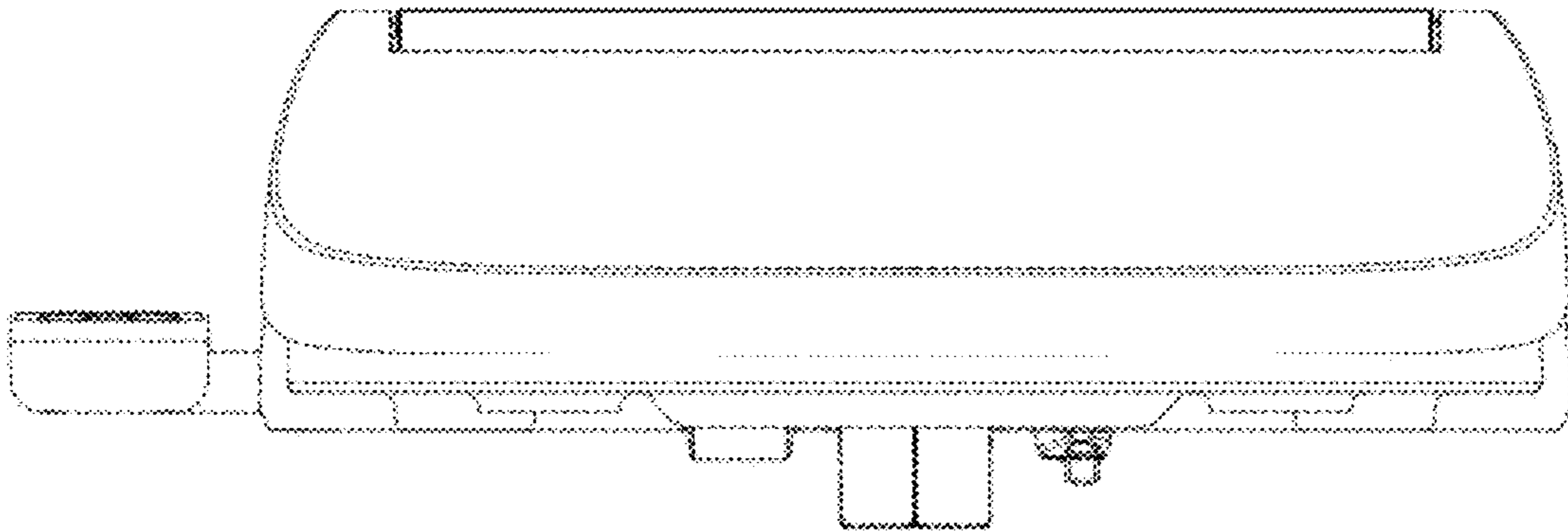


FIG 2

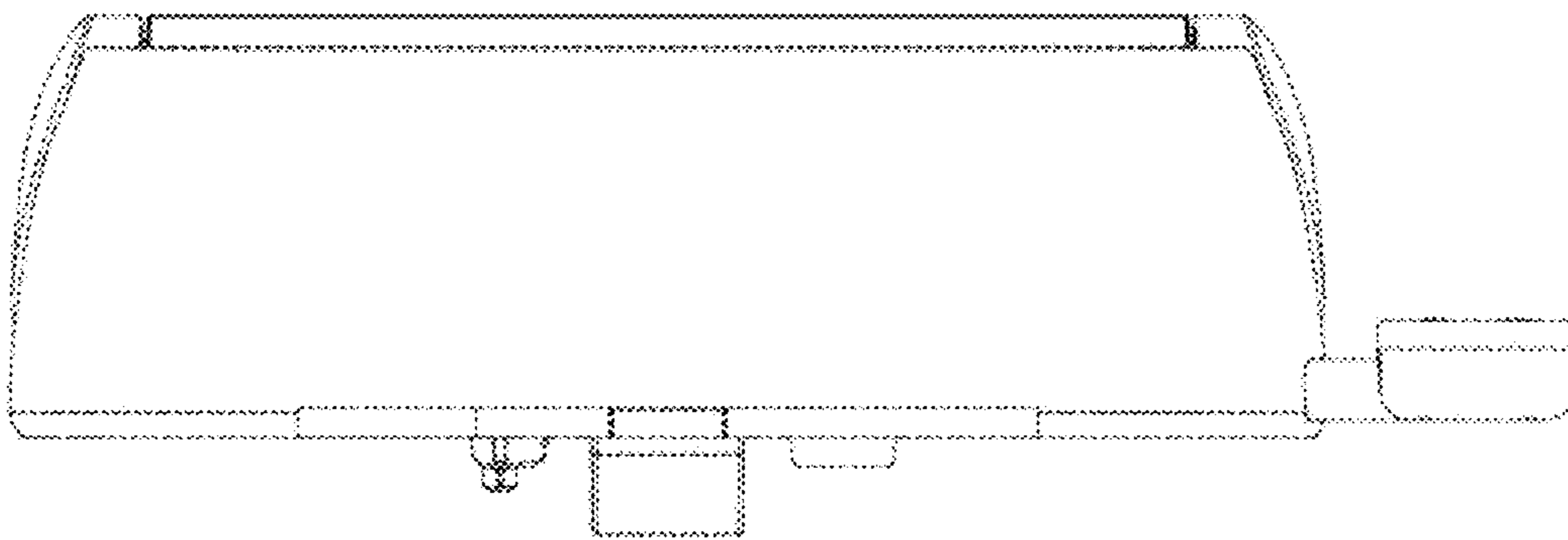


FIG 3

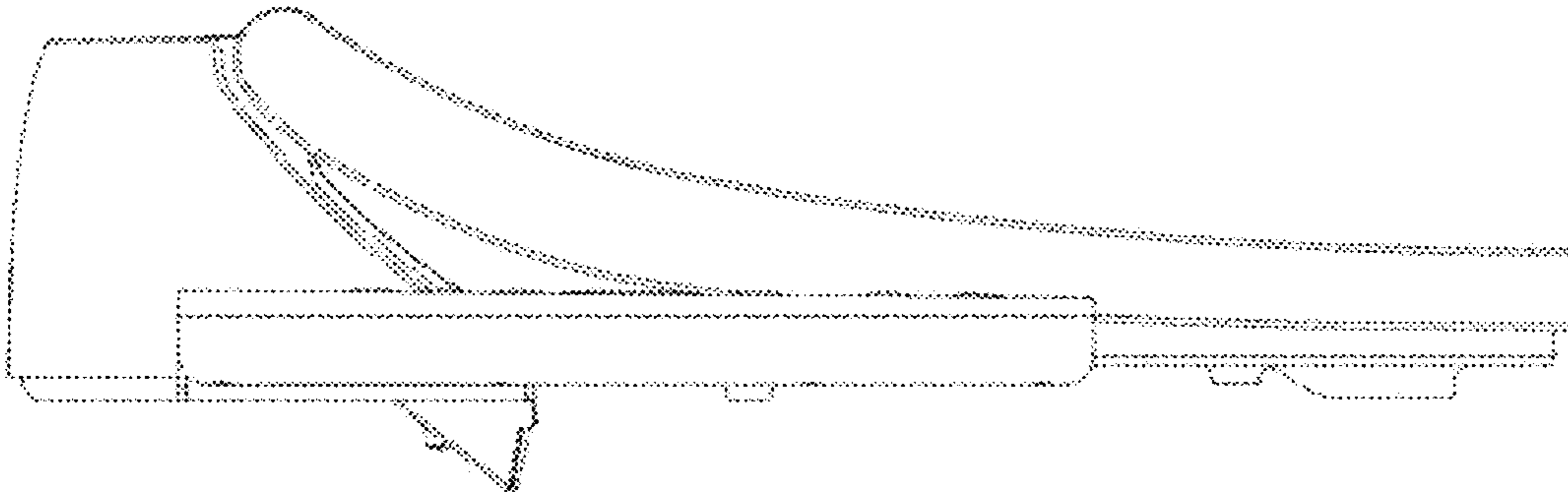


FIG 4

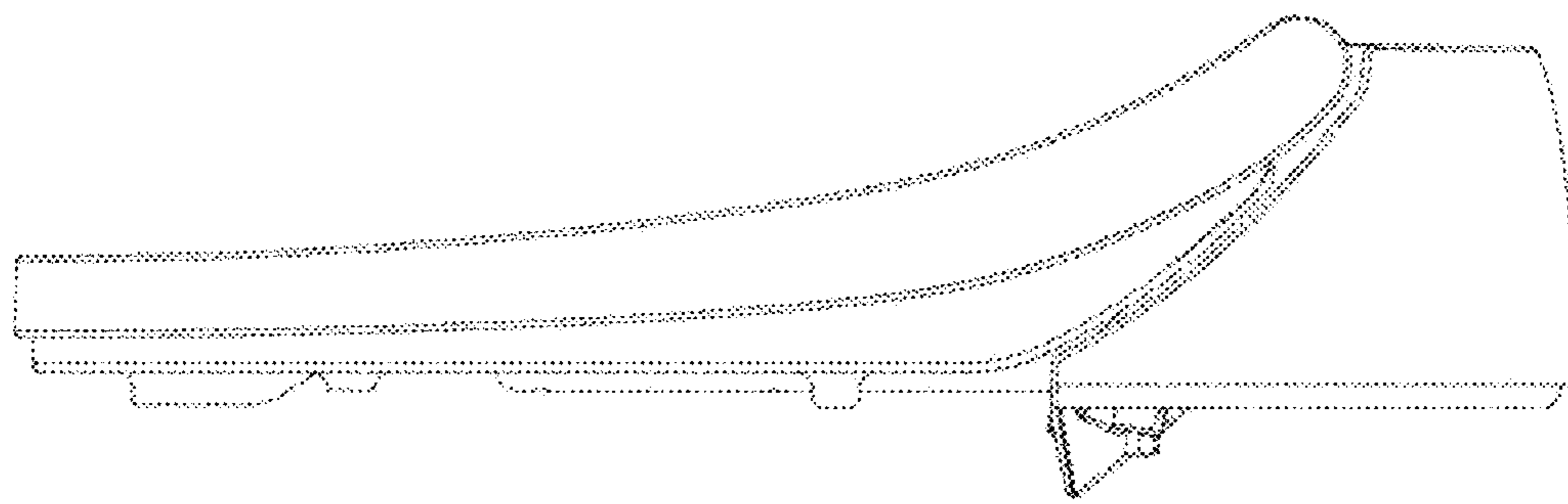


FIG 5

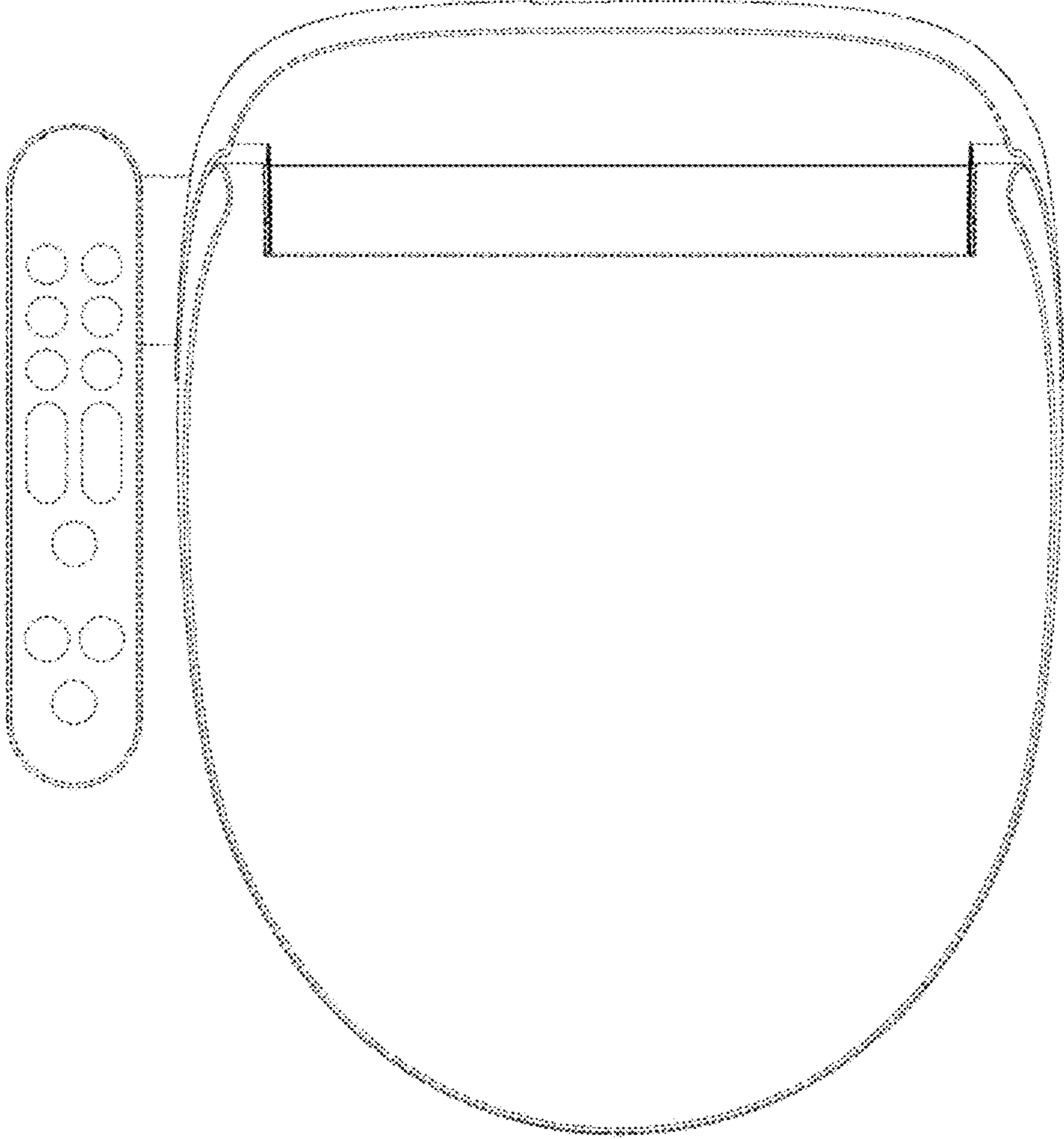


FIG 6



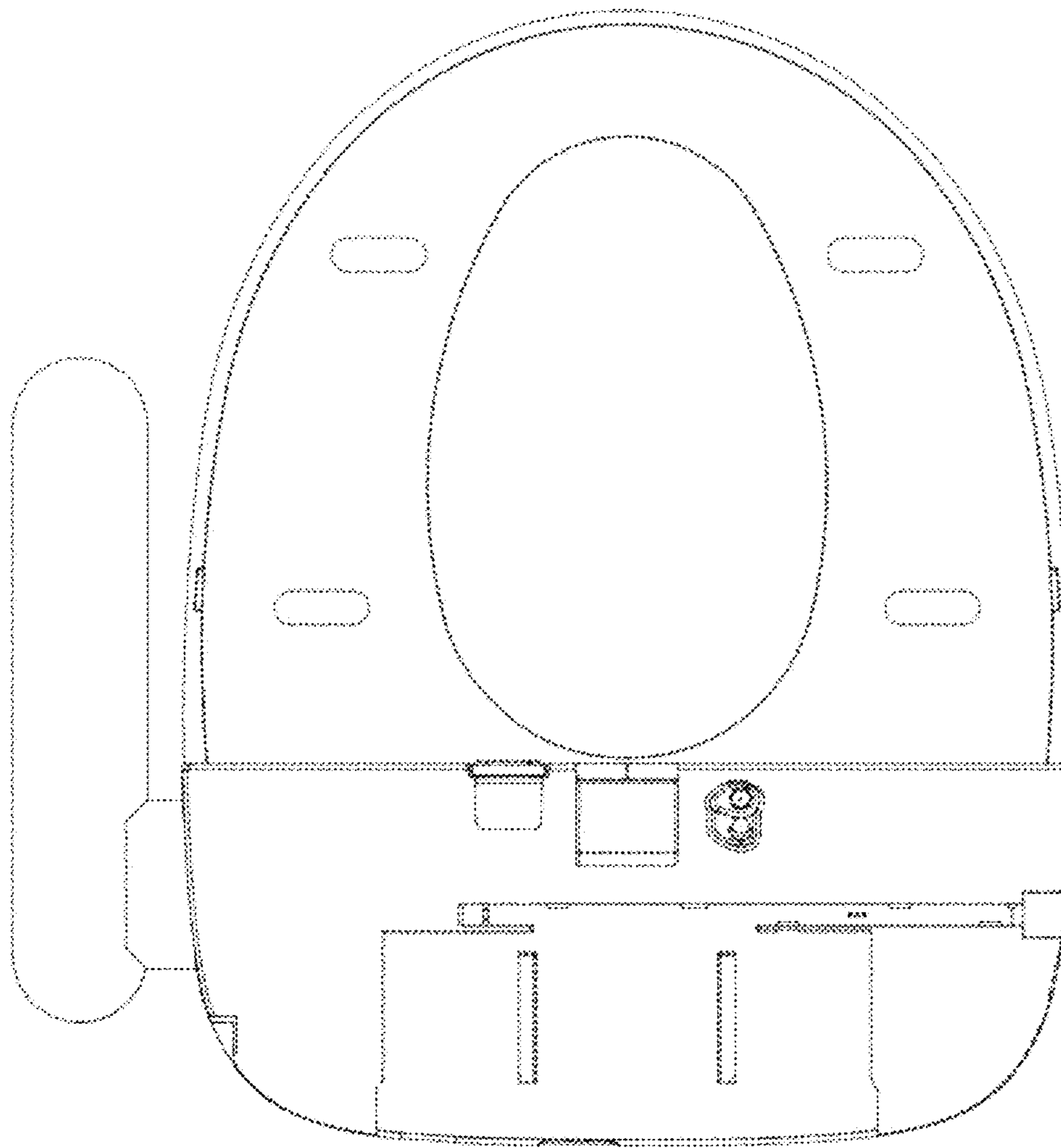


FIG 7



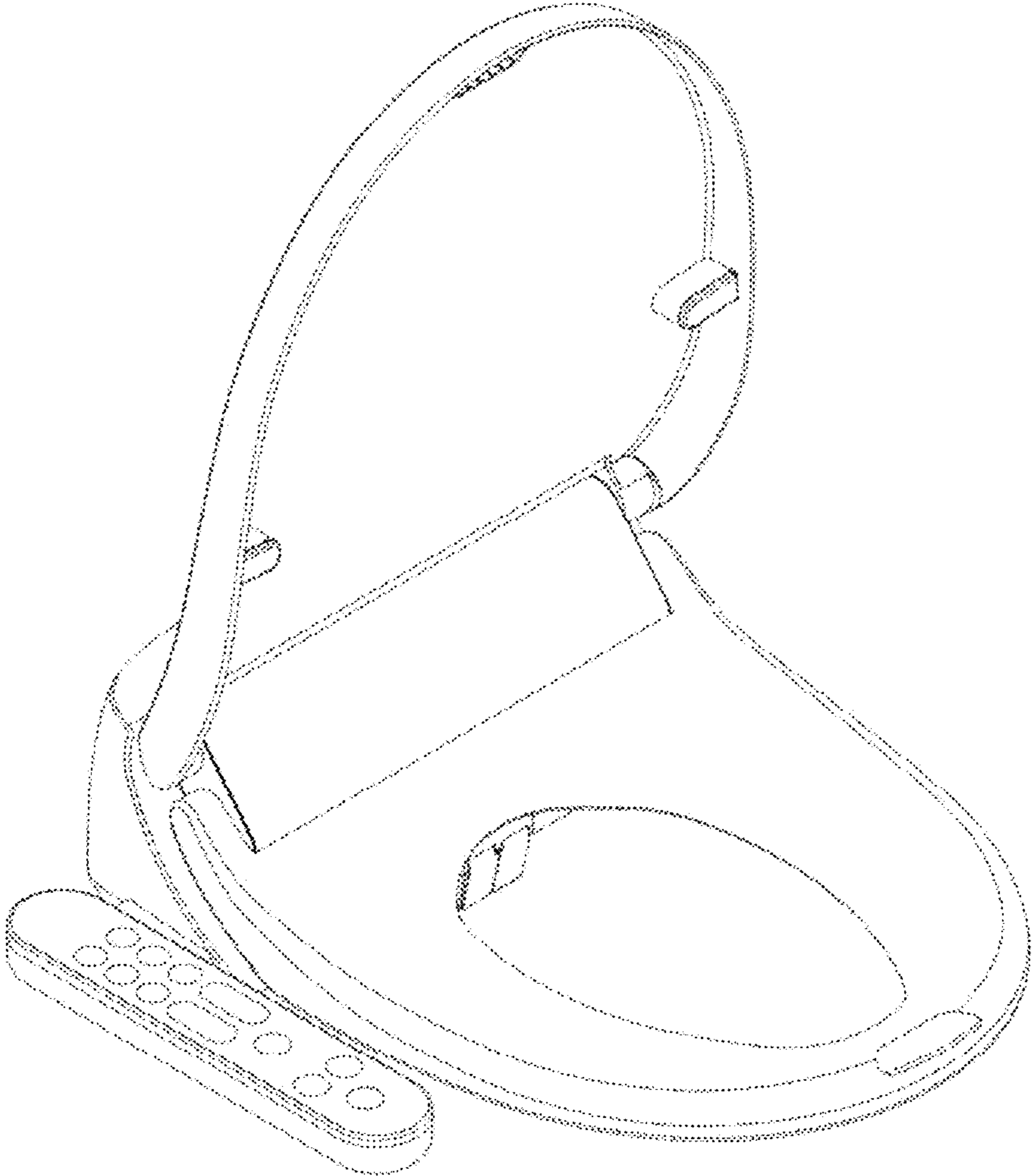


FIG 8