



US00D895081S

(12) **United States Design Patent** (10) **Patent No.:** **US D895,081 S**  
**Lee** (45) **Date of Patent:** **\*\* Sep. 1, 2020**

(54) **BATHTUB**  
(71) Applicant: **Jacuzzi Inc.**, Chino Hills, CA (US)  
(72) Inventor: **Kevin Lee**, Pomona, CA (US)  
(73) Assignee: **Jacuzzi Inc.**, Chino Hills, CA (US)  
(\*\*) Term: **15 Years**  
(21) Appl. No.: **29/674,422**  
(22) Filed: **Dec. 21, 2018**  
(51) **LOC (12) Cl.** ..... **23-02**  
(52) **U.S. Cl.**  
USPC ..... **D23/280.1**  
(58) **Field of Classification Search**  
USPC ..... D23/277, 280.1  
CPC ..... A61H 2035/004  
See application file for complete search history.

D728,760 S \* 5/2015 Spangler ..... D23/277  
D745,644 S 12/2015 Burke  
D745,645 S 12/2015 Burke  
D747,446 S \* 1/2016 Yoshioka ..... D23/277  
D827,791 S 9/2018 Bowen et al.

**FOREIGN PATENT DOCUMENTS**

GB 4007911 S 6/2008

\* cited by examiner

*Primary Examiner* — Robert A Delehanty

(74) *Attorney, Agent, or Firm* — The Webb Law Firm

(57) **CLAIM**

The ornamental design for a bathtub, as shown and described.

**DESCRIPTION**

FIG. 1 is an upper front perspective view of a bathtub showing my new design in accordance with a first embodiment of the invention;

FIG. 2 is an upper left perspective view thereof;

FIG. 3 is a front elevation view thereof;

FIG. 4 is a rear elevation view thereof;

FIG. 5 is a left side elevation view thereof;

FIG. 6 is a right side elevation view thereof;

FIG. 7 is a top view thereof; and,

FIG. 8 is a bottom view thereof.

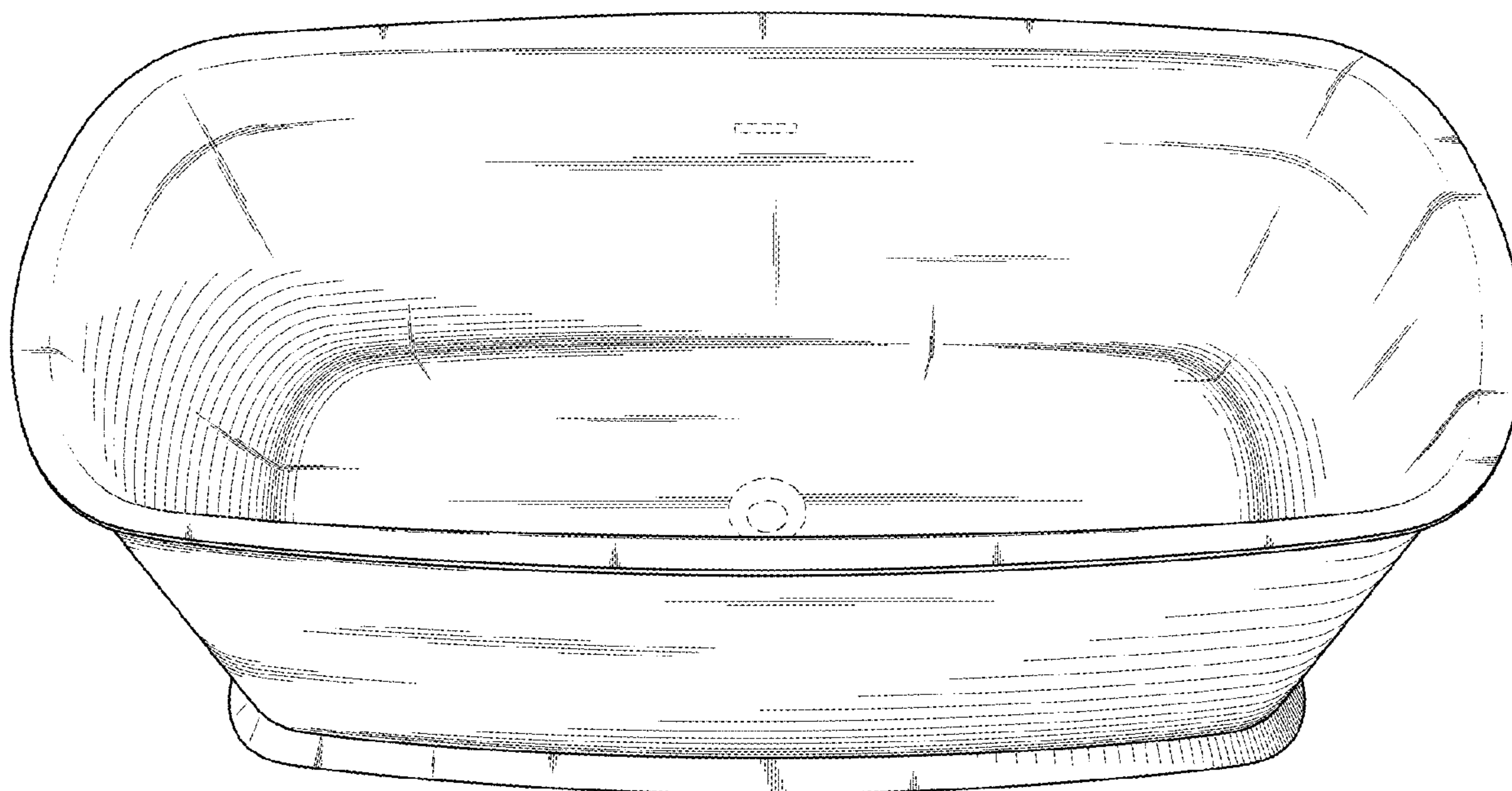
The portions of the bathtub shown in broken lines form no part of the claimed design.

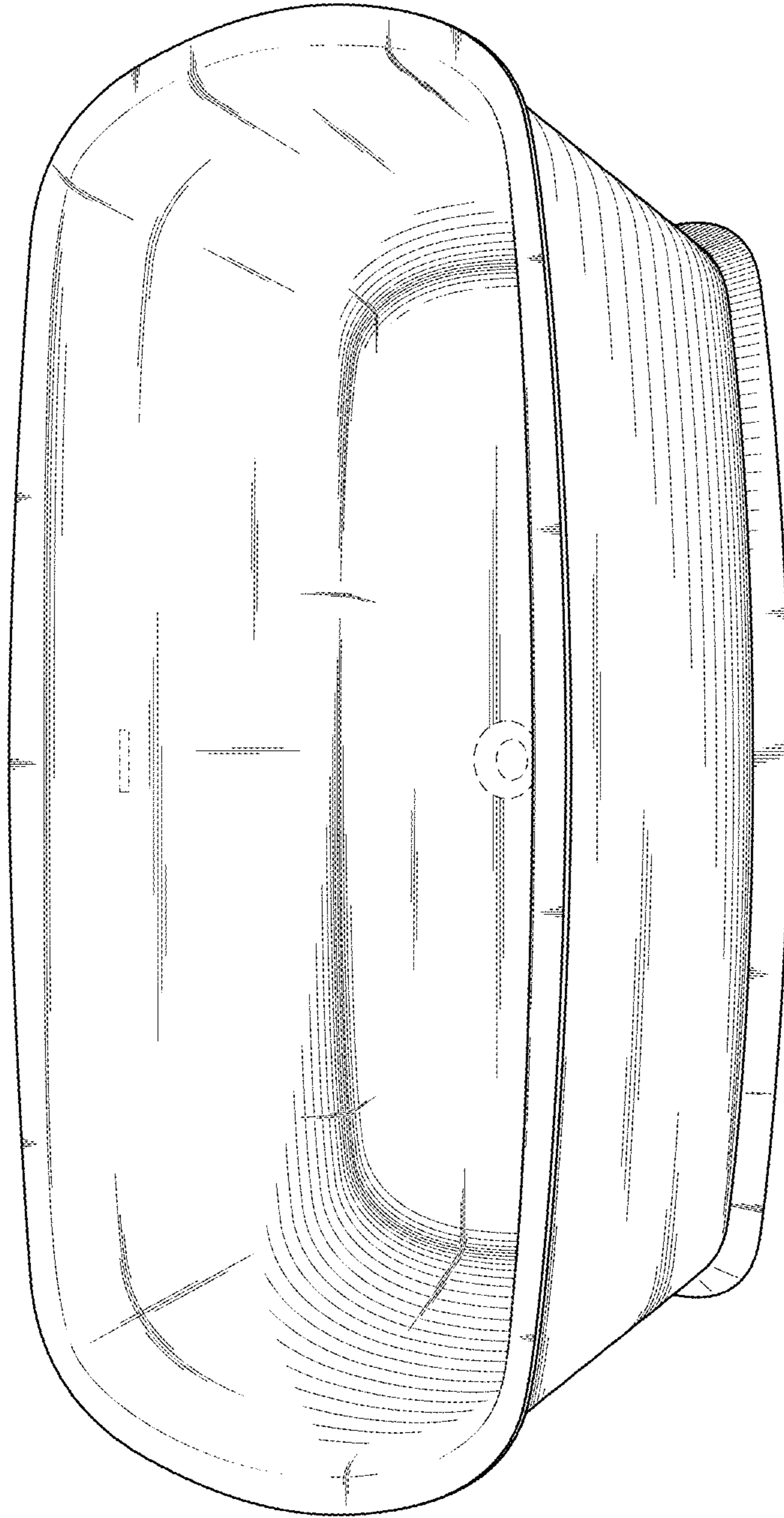
(56) **References Cited**

**U.S. PATENT DOCUMENTS**

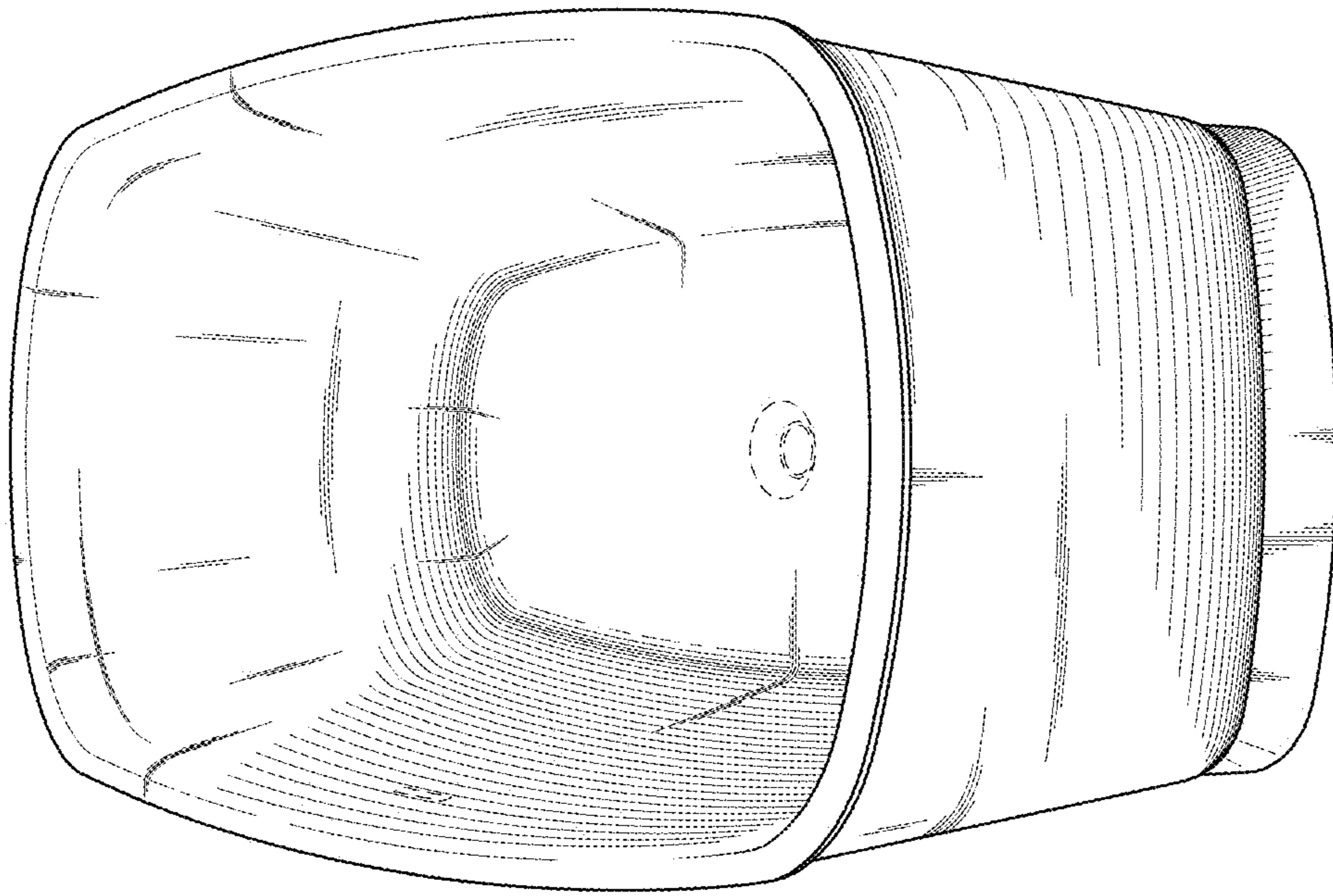
D32,411 S 3/1900 Scott  
D32,713 S 5/1900 Bowman  
D32,858 S 6/1900 Wells  
D36,881 S 4/1904 Weelans  
4,535,489 A 8/1985 Elkins  
D631,949 S 2/2011 Richmond  
D633,603 S \* 3/2011 Su ..... D23/280.1  
D654,991 S 2/2012 Oliveira  
D724,706 S 3/2015 Meneghello et al.  
D725,754 S \* 3/2015 Spangler ..... D23/277  
D726,292 S 4/2015 Spangler

**1 Claim, 7 Drawing Sheets**

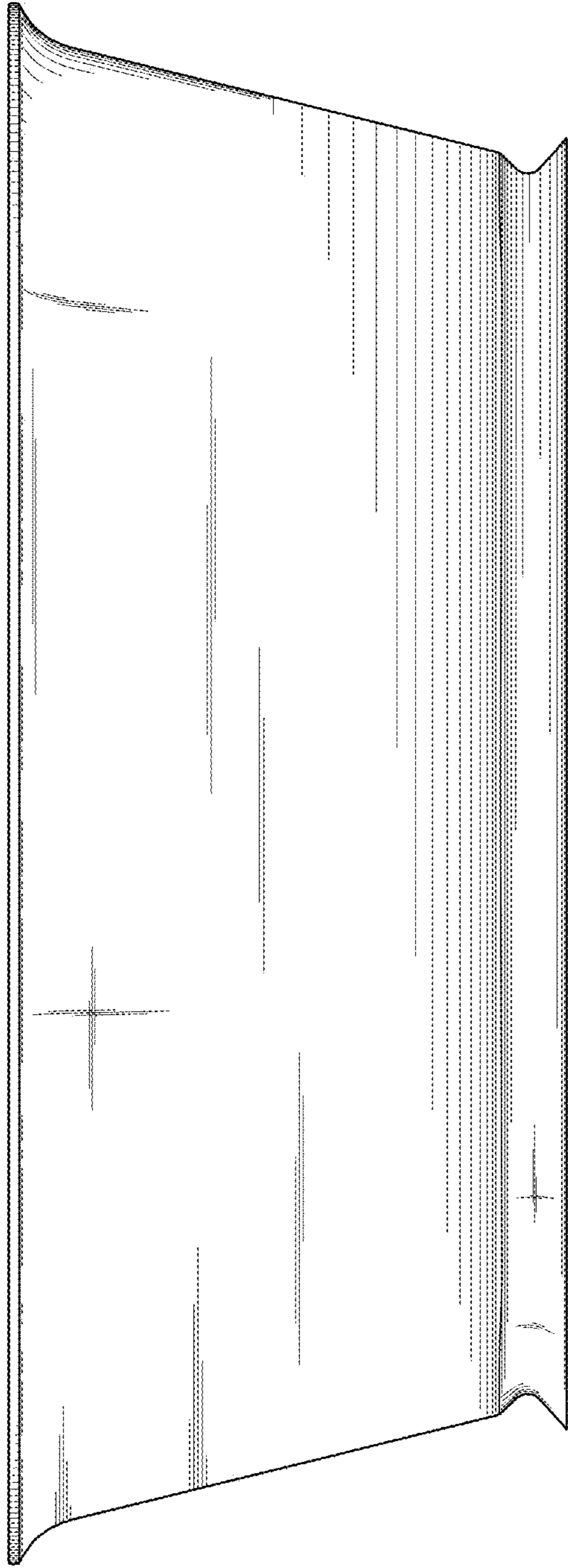




**FIG. 1**

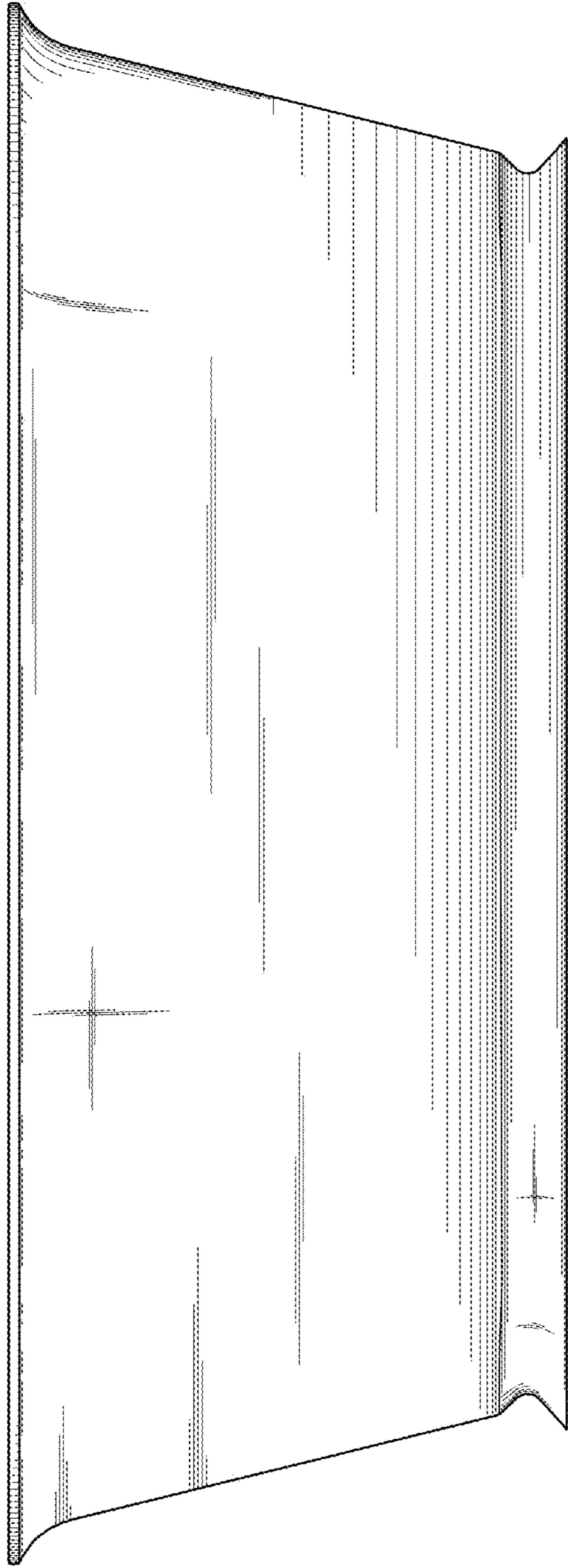


**FIG. 2**

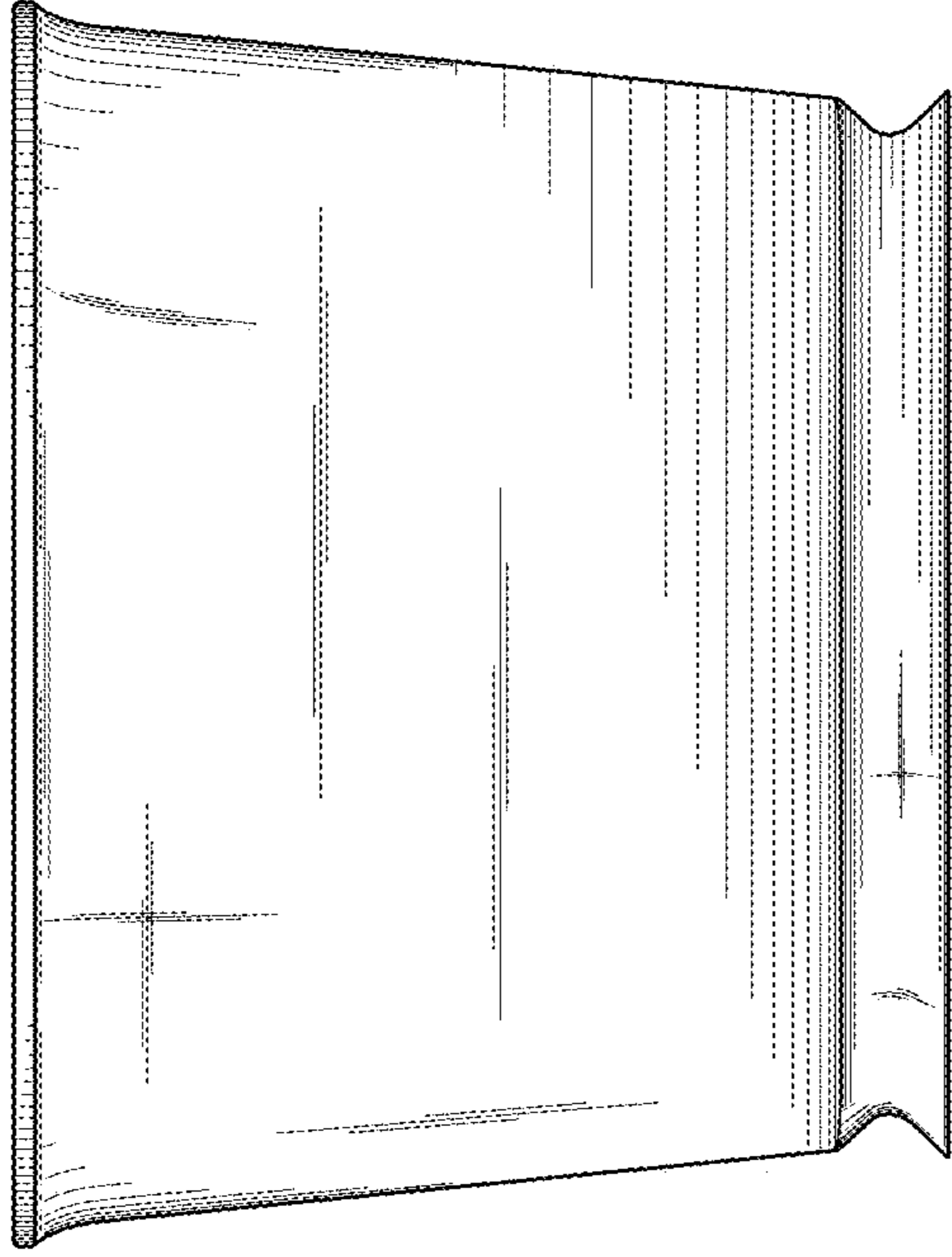


**FIG. 3**

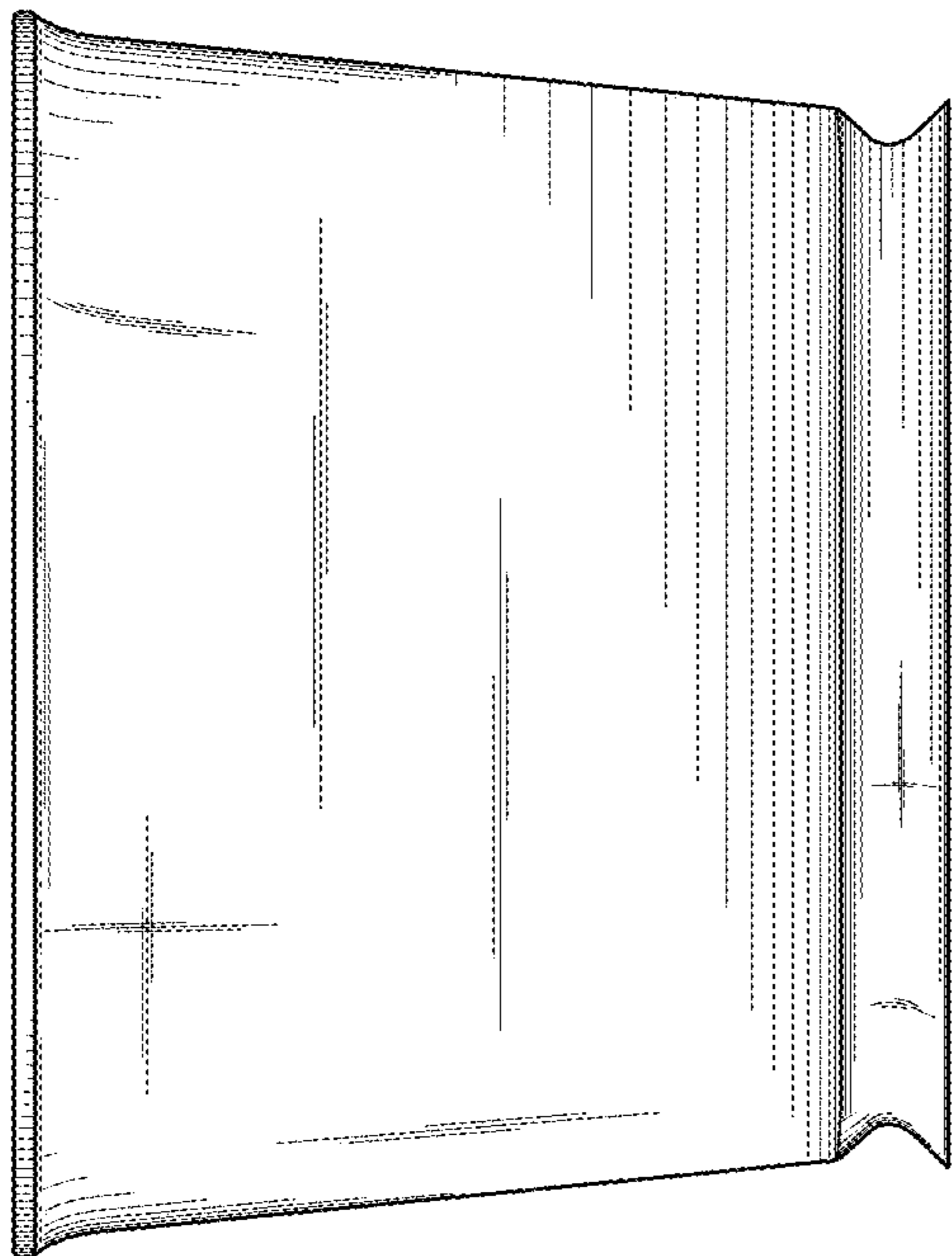




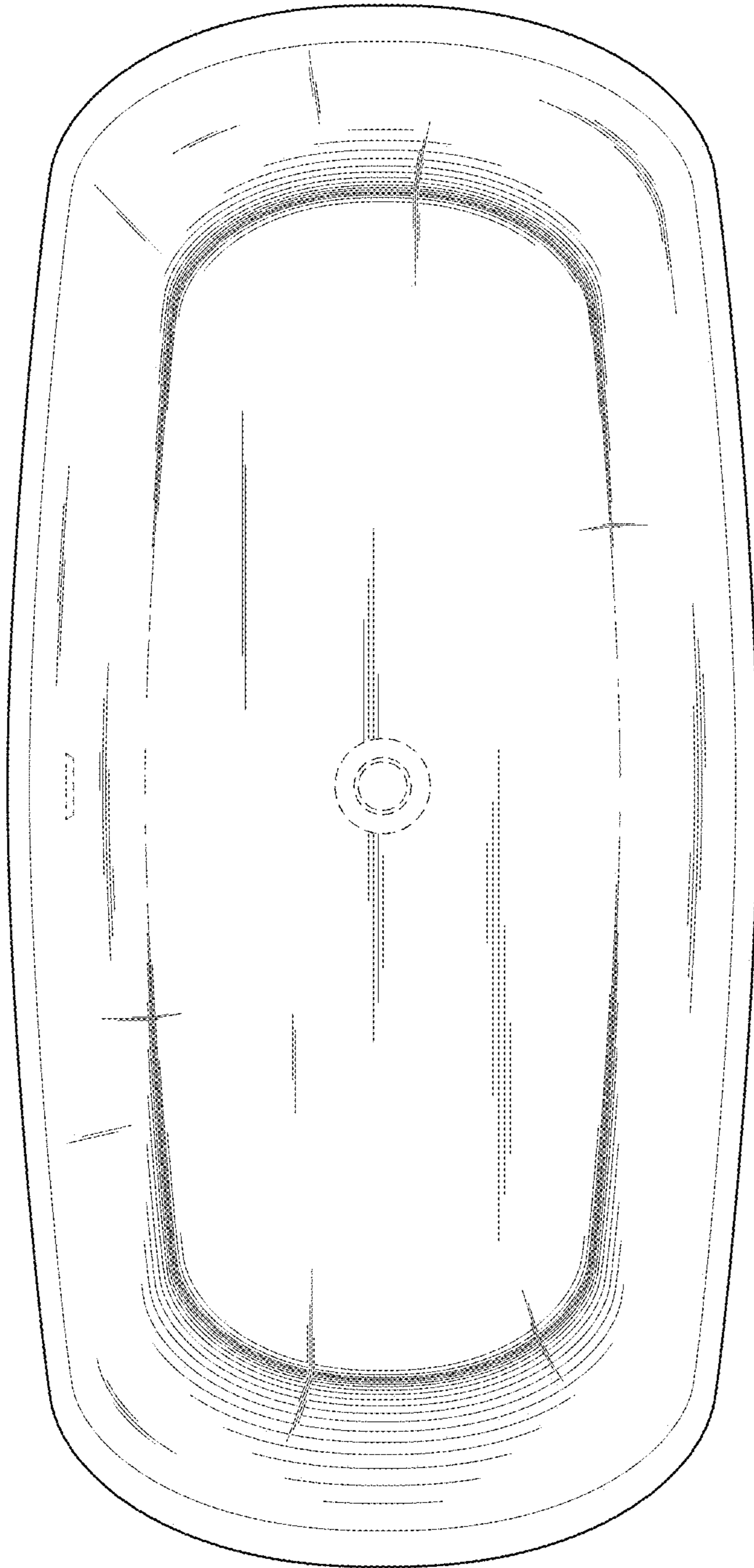
**FIG. 4**



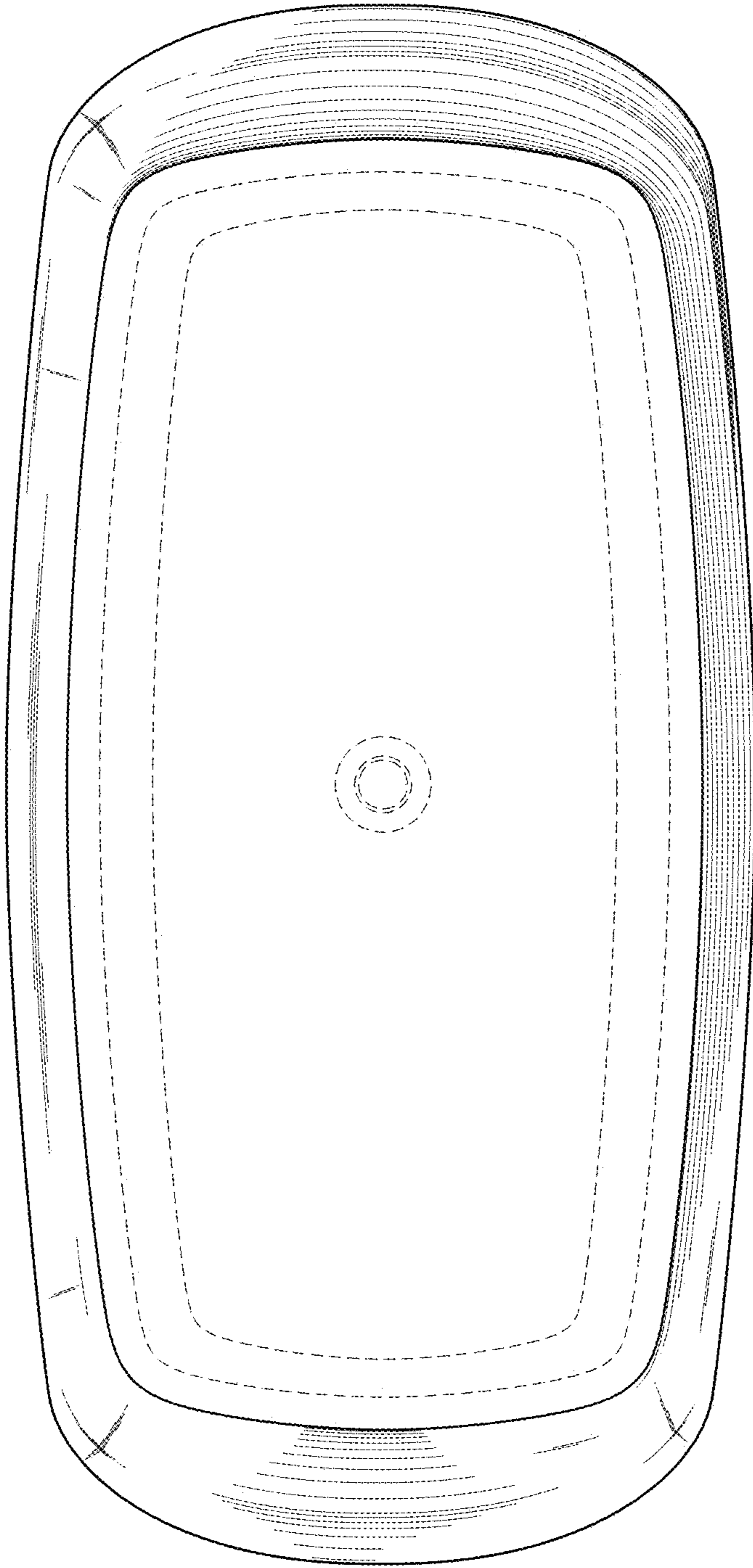
**FIG. 5**



**FIG. 6**



**FIG. 7**



**FIG. 8**