



US00D895079S

(12) **United States Design Patent** (10) **Patent No.:** **US D895,079 S**  
**Moir et al.** (45) **Date of Patent:** **\*\* Sep. 1, 2020**

(54) **BATH**

D709,598 S \* 7/2014 Dupras ..... D23/280.1  
D724,706 S \* 3/2015 Meneghello ..... D23/277

(71) Applicant: **Jacuzzi Inc.**, Chino Hills, CA (US)

\* cited by examiner

(72) Inventors: **Erica A. Moir**, Santa Ana, CA (US);  
**Kevin Lee**, Pomona, CA (US)

*Primary Examiner* — Robert A Delehanty

(74) *Attorney, Agent, or Firm* — The Webb Law Firm

(73) Assignee: **Jacuzzi Inc.**, Chino Hills, CA (US)

(57) **CLAIM**

(\*\*) Term: **15 Years**

The ornamental design for a bath, as shown and described.

(21) Appl. No.: **29/670,870**

**DESCRIPTION**

(22) Filed: **Nov. 20, 2018**

(51) **LOC (12) Cl.** ..... **23-02**

(52) **U.S. Cl.**

USPC ..... **D23/280.1**

(58) **Field of Classification Search**

USPC ..... D23/277, 280.1

CPC ..... A61H 2035/004

See application file for complete search history.

FIG. 1 is an upper front perspective view of a bath showing our new design in accordance with a first embodiment of the invention;

FIG. 2 is an upper left perspective view thereof;

FIG. 3 is a front elevation view thereof;

FIG. 4 is a rear elevation view thereof;

FIG. 5 is a left side elevation view thereof;

FIG. 6 is a right side elevation view thereof;

FIG. 7 is a top view thereof; and,

FIG. 8 is a bottom view thereof.

The portions of the bath shown in broken lines form no part of the claimed design.

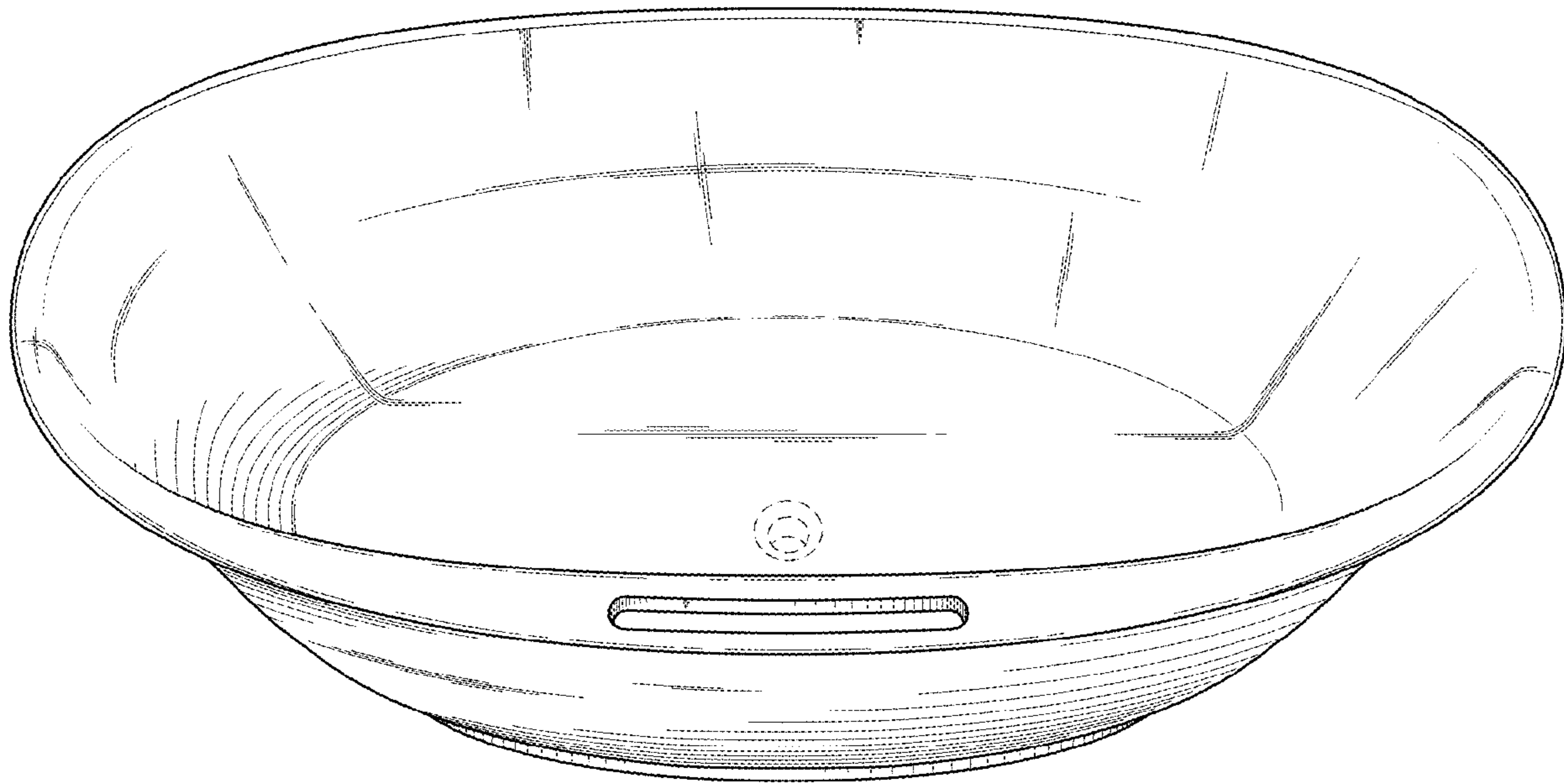
(56) **References Cited**

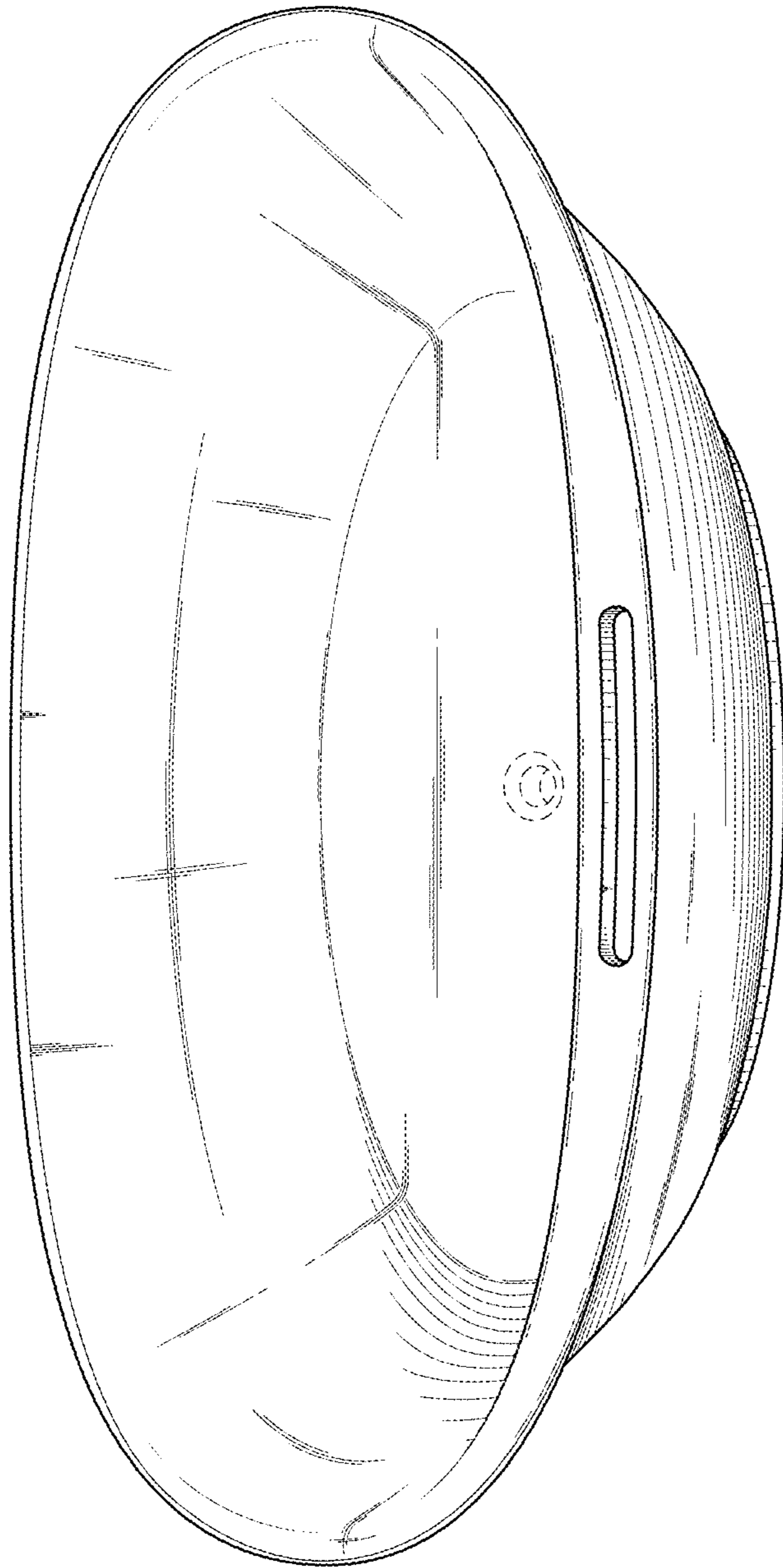
U.S. PATENT DOCUMENTS

D637,699 S \* 5/2011 Messier ..... D23/277

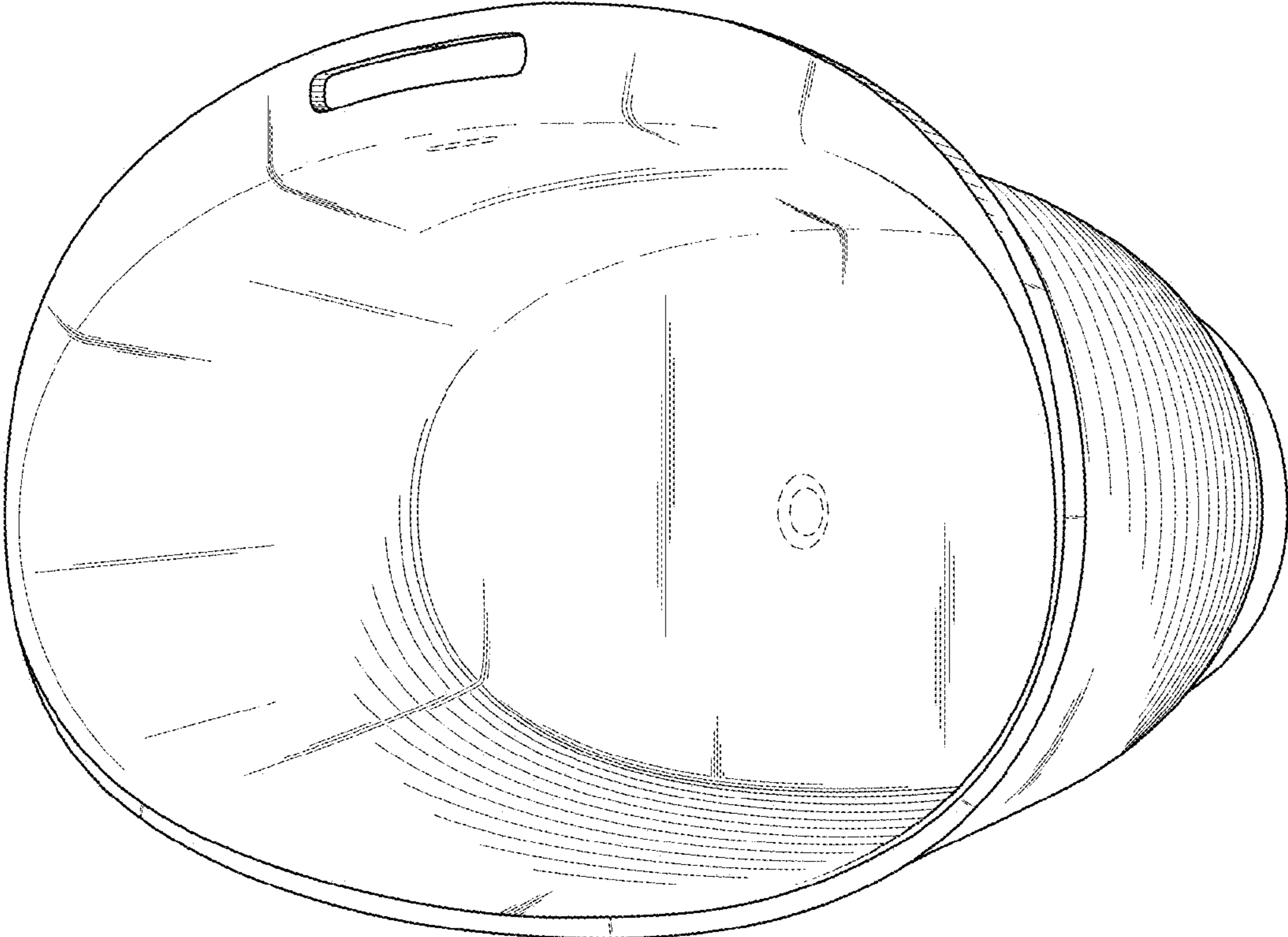
D694,866 S \* 12/2013 Quigley ..... D23/277

**1 Claim, 7 Drawing Sheets**

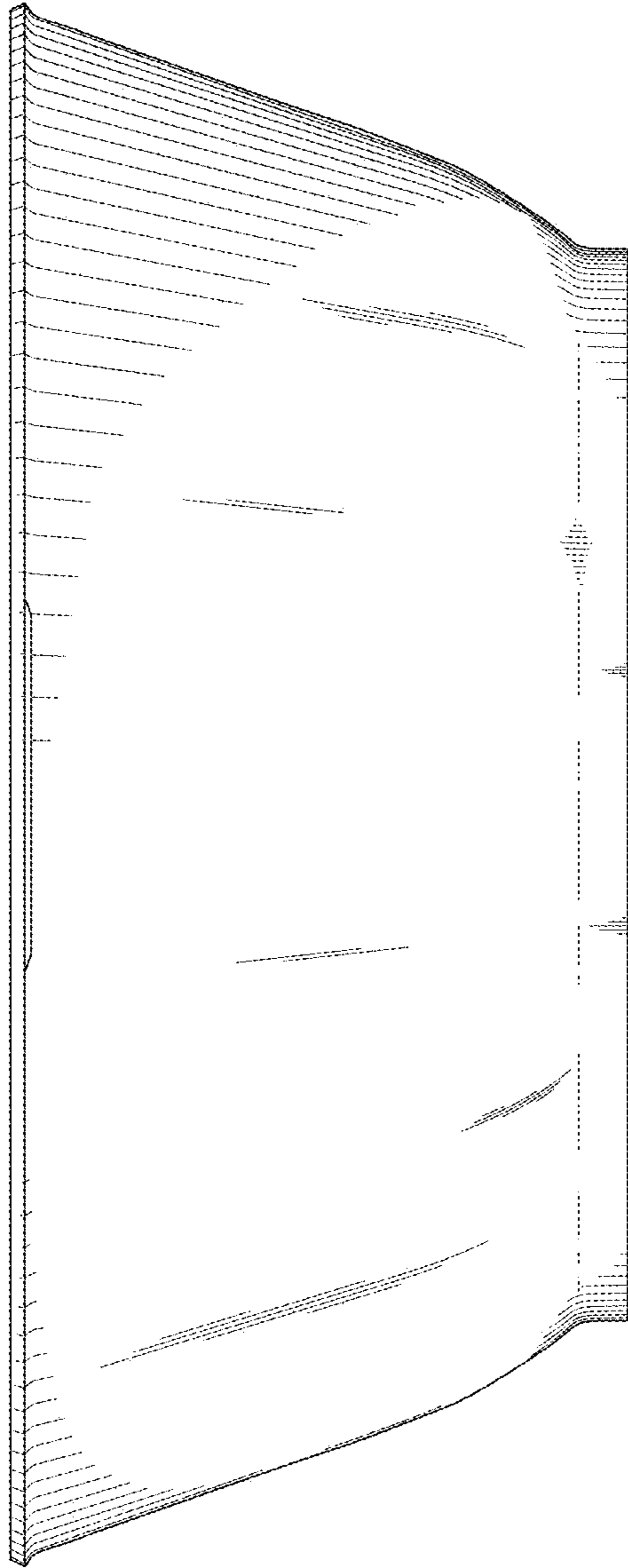




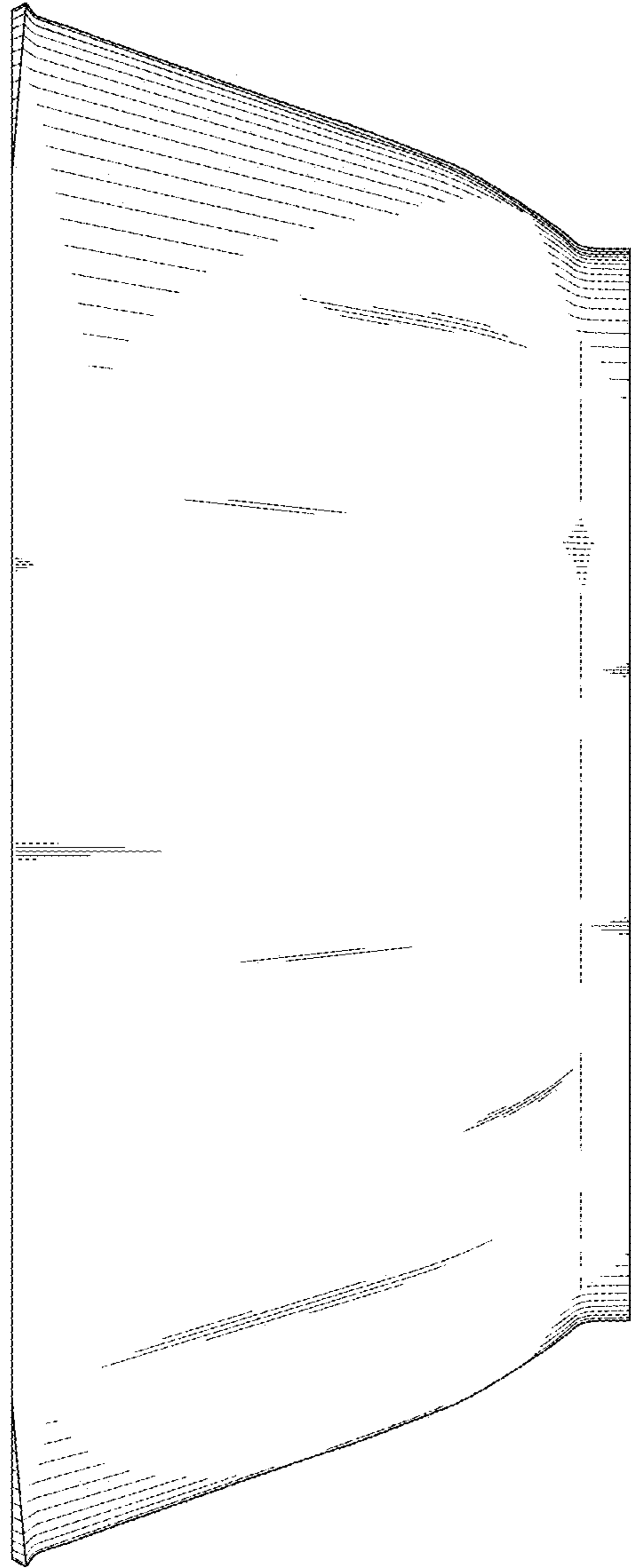
**FIG. 1**



**FIG. 2**



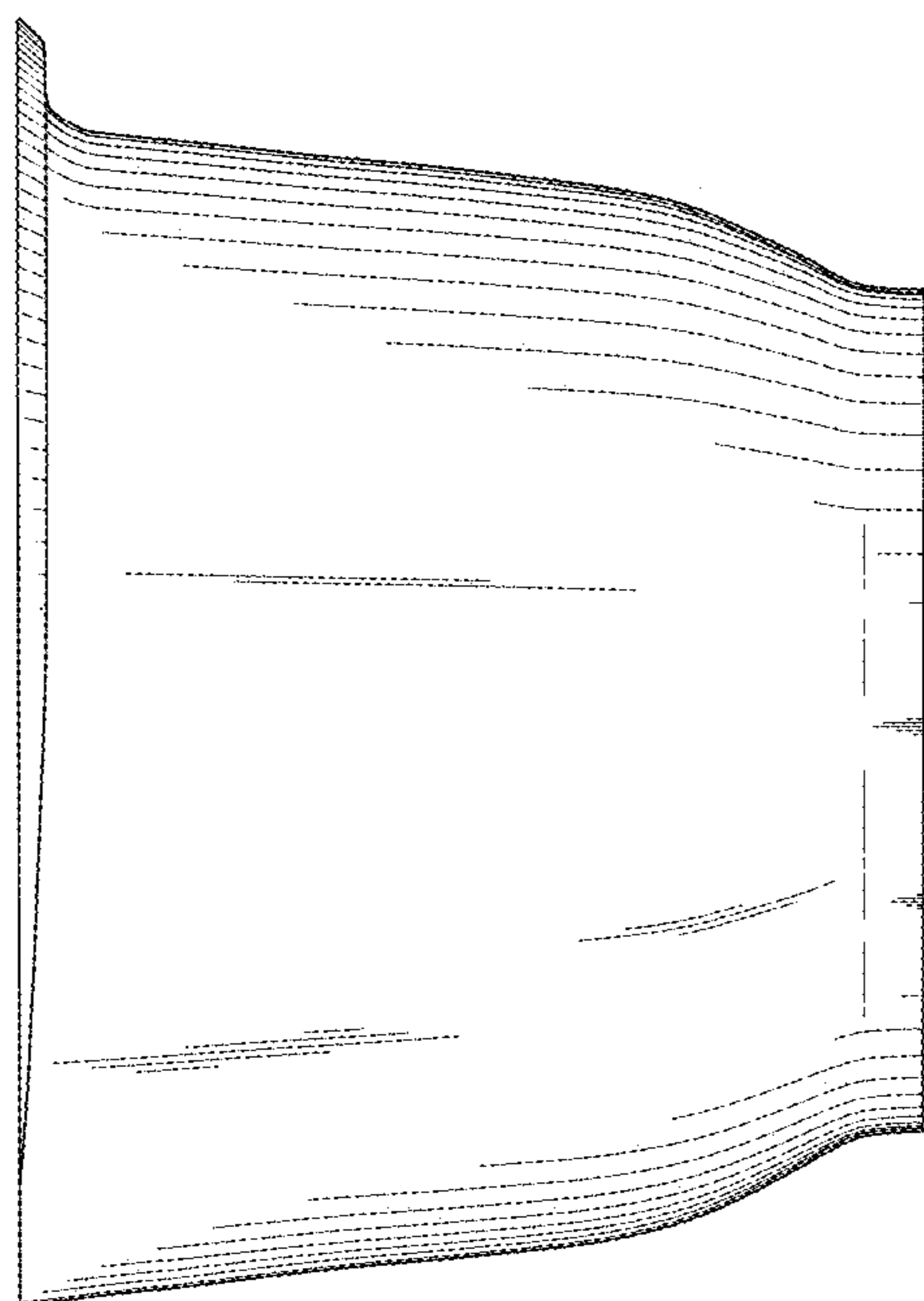
**FIG. 3**



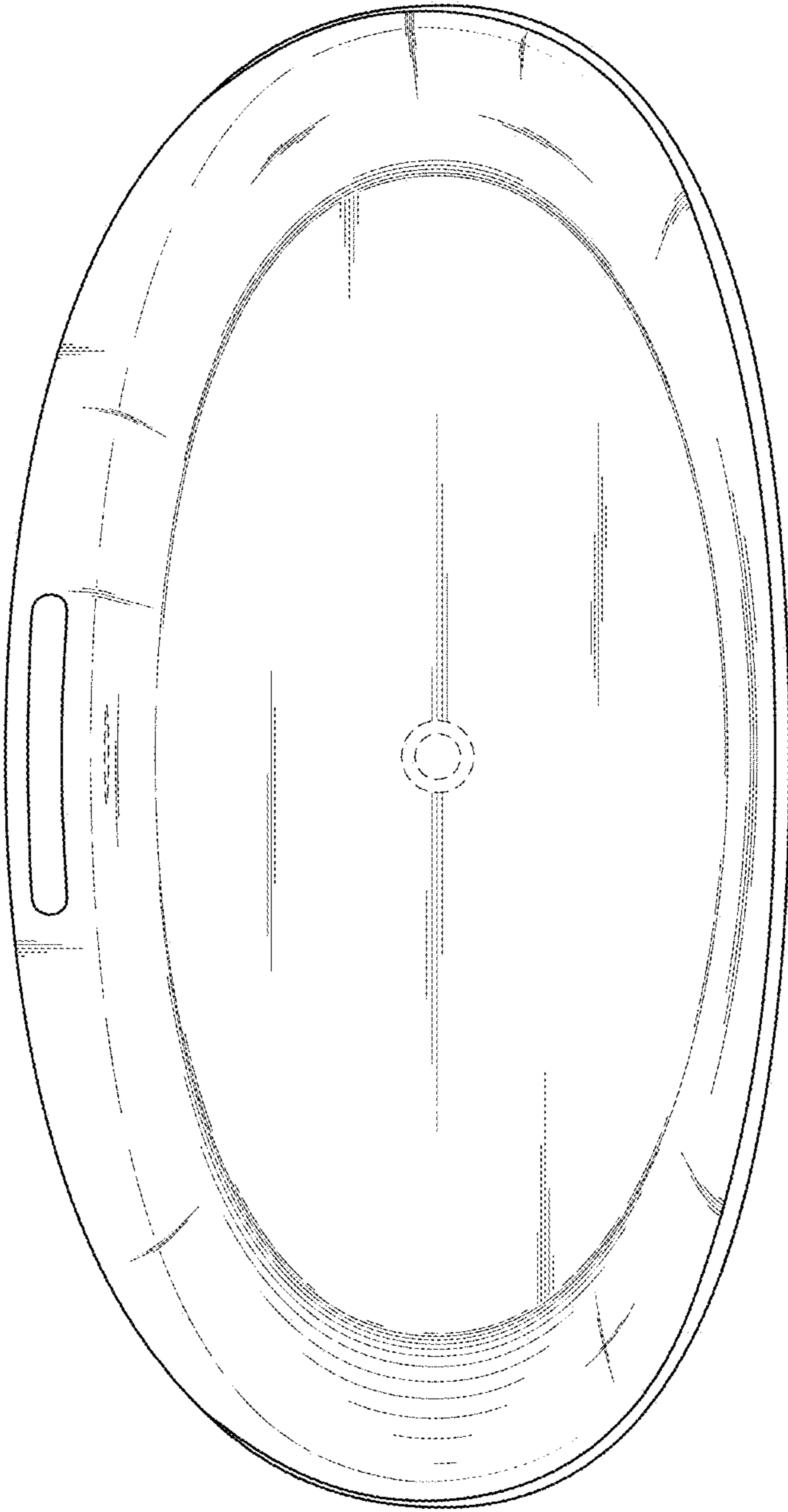
**FIG. 4**



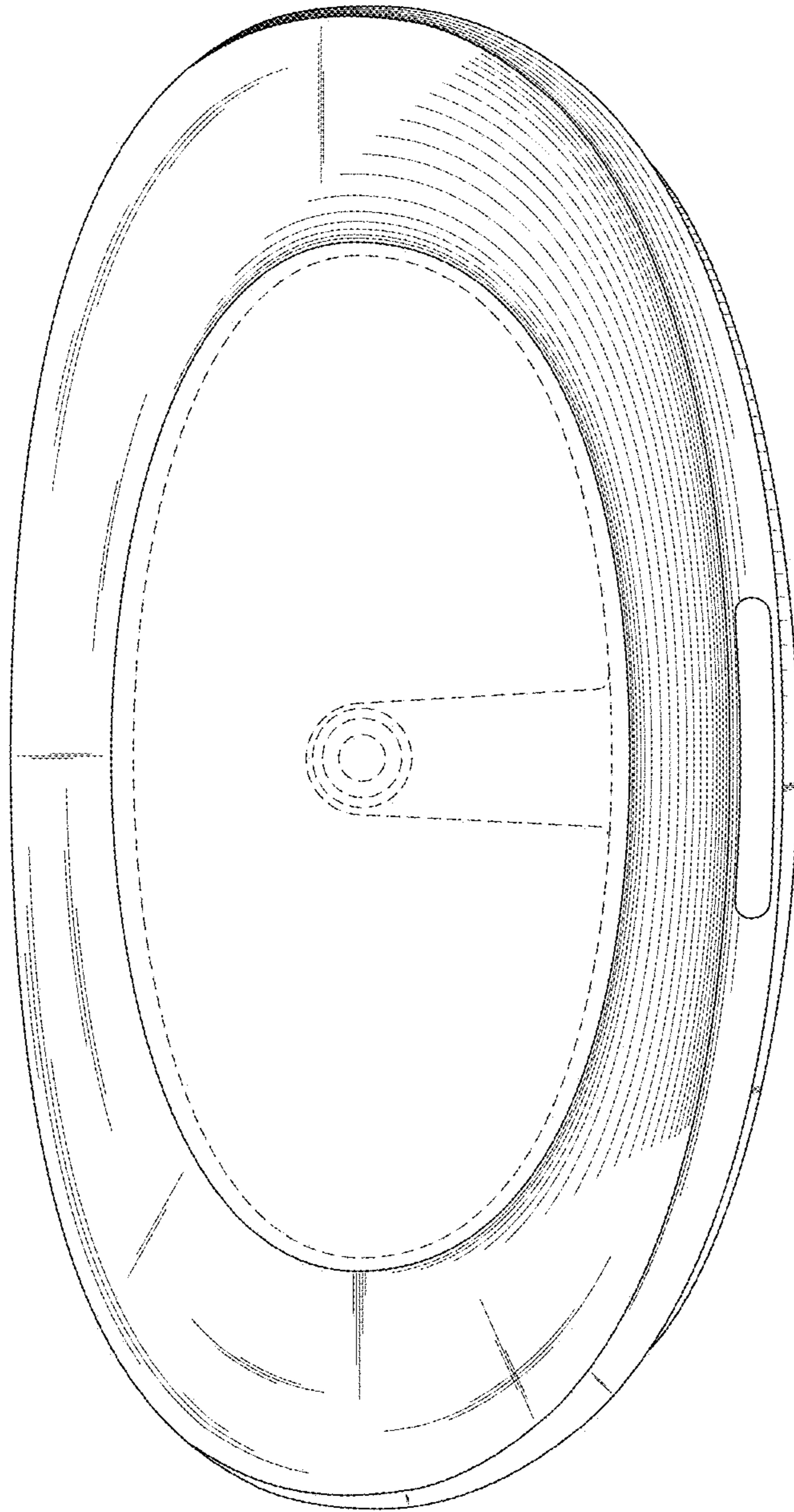
**FIG. 5**



**FIG. 6**



**FIG. 7**



**FIG. 8**