



US00D895077S

(12) **United States Design Patent**
Festa

(10) **Patent No.:** **US D895,077 S**
(45) **Date of Patent:** **** Sep. 1, 2020**

(54) **BATH TUB FOR BABIES**
(71) Applicant: **Artsana S.p.A.**, Grandate CO (IT)
(72) Inventor: **Antonella Festa**, Como (IT)
(73) Assignee: **ARTSANA S.P.A.**, Grandate (CO) (IT)
(**) Term: **15 Years**
(21) Appl. No.: **35/506,642**
(22) Filed: **Dec. 21, 2018**
(80) **Hague Agreement Data**
Int. Filing Date: **Dec. 21, 2018**
Int. Reg. No.: **DM/200590**
Int. Reg. Date: **Dec. 21, 2018**
Int. Reg. Pub. Date: **Apr. 19, 2019**

(30) **Foreign Application Priority Data**
Jul. 12, 2018 (EM) 005501681
(51) **LOC (12) Cl.** **23-01**
(52) **U.S. Cl.**
USPC **D23/278**
(58) **Field of Classification Search**
USPC D23/277, 278, 303, 304; D6/333, 362
CPC A47K 3/127; A47K 3/024; A47K 3/034;
A47K 3/06; A47K 3/064; A47K 10/02;
A47K 3/074; A47K 3/122; A47K 3/125
See application file for complete search history.

(56) **References Cited**
U.S. PATENT DOCUMENTS
D273,726 S * 5/1984 Valenzuela D23/278
D289,791 S * 5/1987 Schremmer D23/278

D436,655 S * 1/2001 Hotaling D23/278
D610,656 S * 2/2010 Terrell D21/467
D688,474 S * 8/2013 Tu D6/333
D750,910 S * 3/2016 Yassa D6/339
D813,358 S * 3/2018 Baldelli D23/278
D821,107 S * 6/2018 Walker D6/333

* cited by examiner

Primary Examiner — Khawaja Anwar
(74) *Attorney, Agent, or Firm* — MH2 Technology Law Group LLP

(57) **CLAIM**

The ornamental design for a bath tub for babies, as shown and described.

DESCRIPTION

1.-2. Bath tub for babies
FIG. 1.1 is a top, right perspective view of a bath tub for babies, showing a first embodiment of my new design;
FIG. 1.2 is a right-side elevational view thereof;
FIG. 1.3 is a top plan view thereof;
FIG. 1.4 is a front elevational view thereof;
FIG. 1.5 is rear elevational view thereof;
FIG. 1.6 is a bottom plan view thereof;
FIG. 1.7 is a left-side elevational view thereof;
FIG. 2.1 is a top, right perspective view of a bath tub for babies, showing a second embodiment of my new design;
FIG. 2.2 is a top plan view thereof;
FIG. 2.3 is a right-side elevational view thereof;
FIG. 2.4 is a front elevational view thereof;
FIG. 2.5 is rear elevational view thereof;
FIG. 2.6 is a bottom plan view thereof; and
FIG. 2.7 is a left-side elevational view thereof.

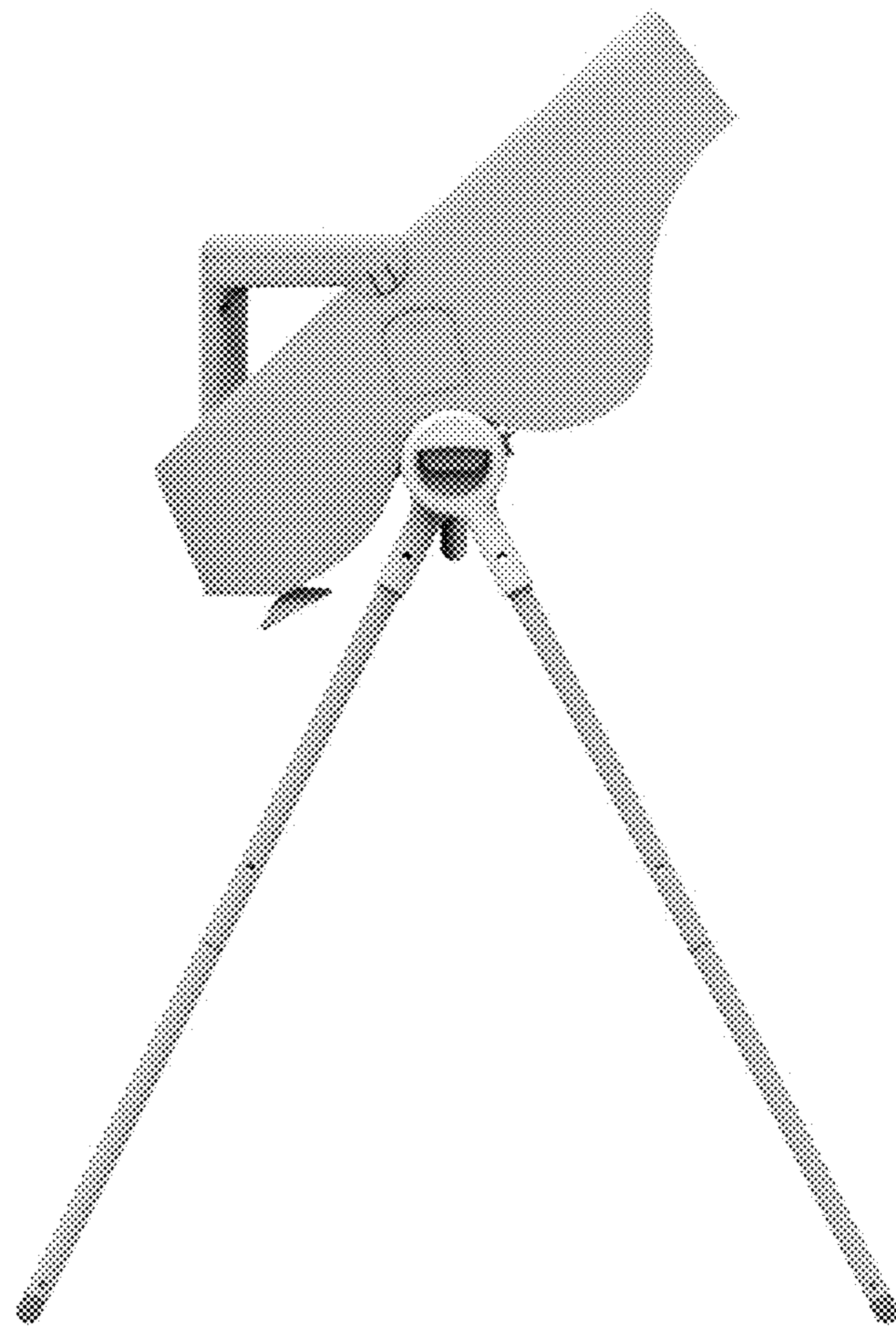
1 Claim, 14 Drawing Sheets



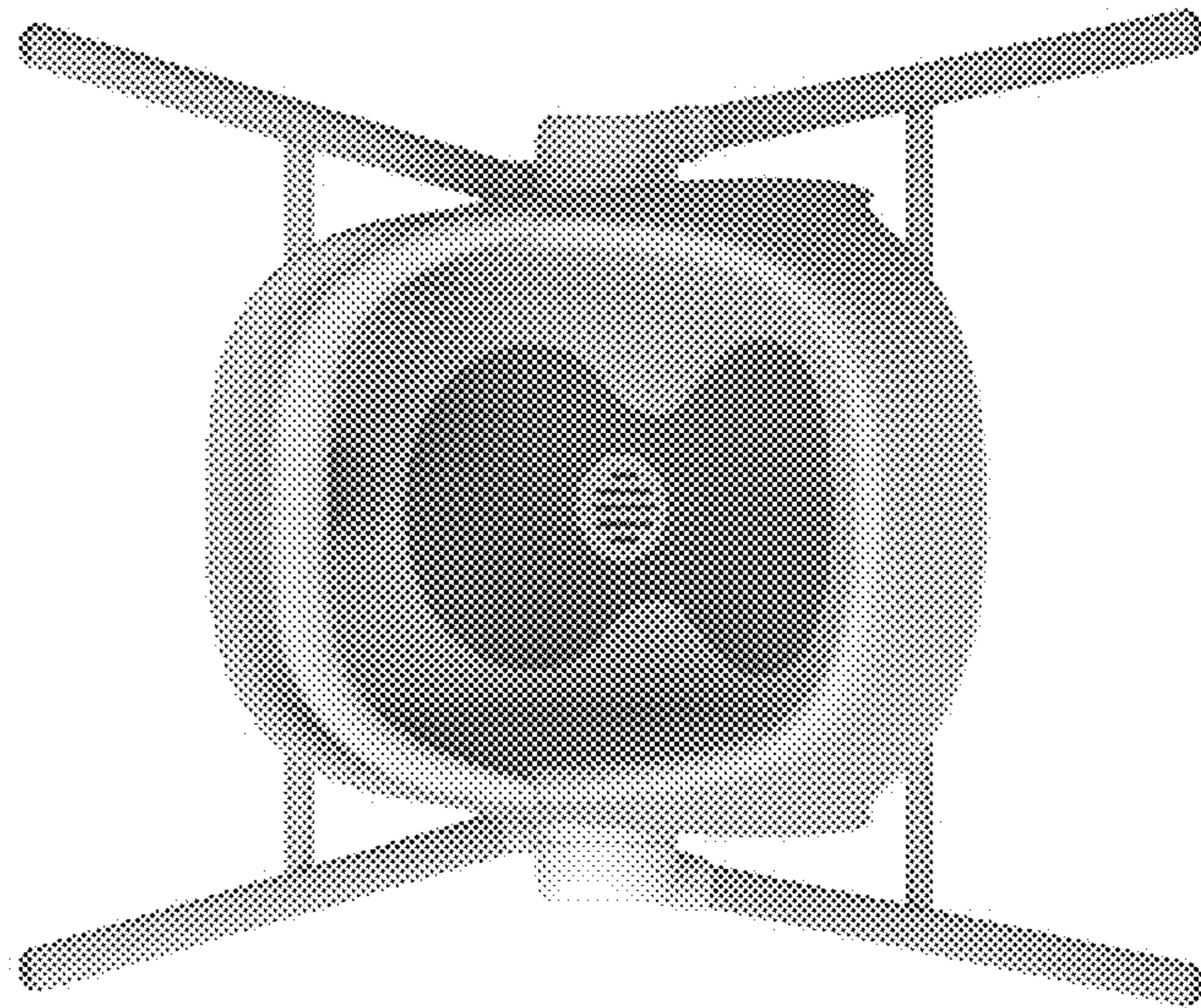
1.1



1.2



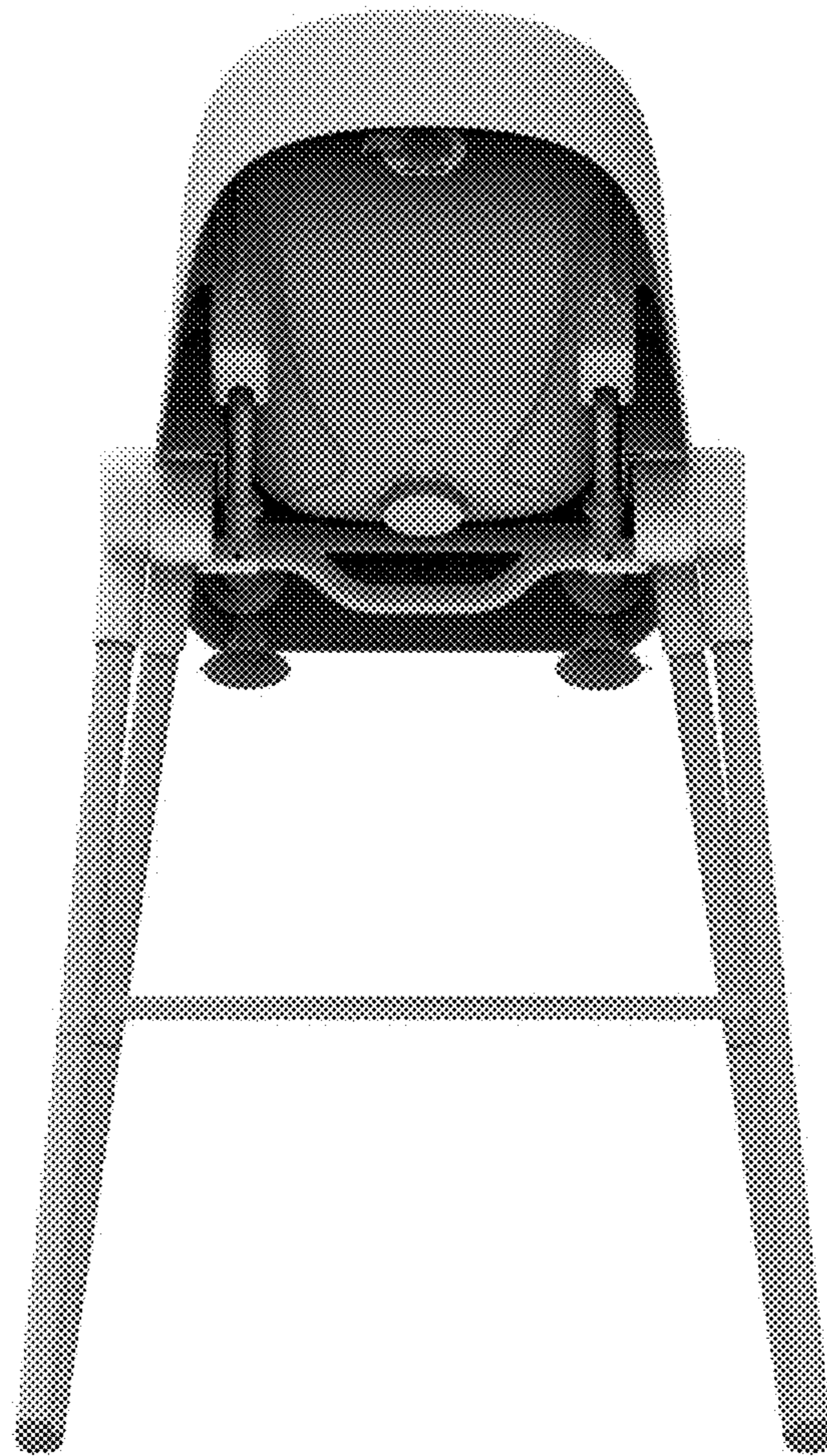
1.3



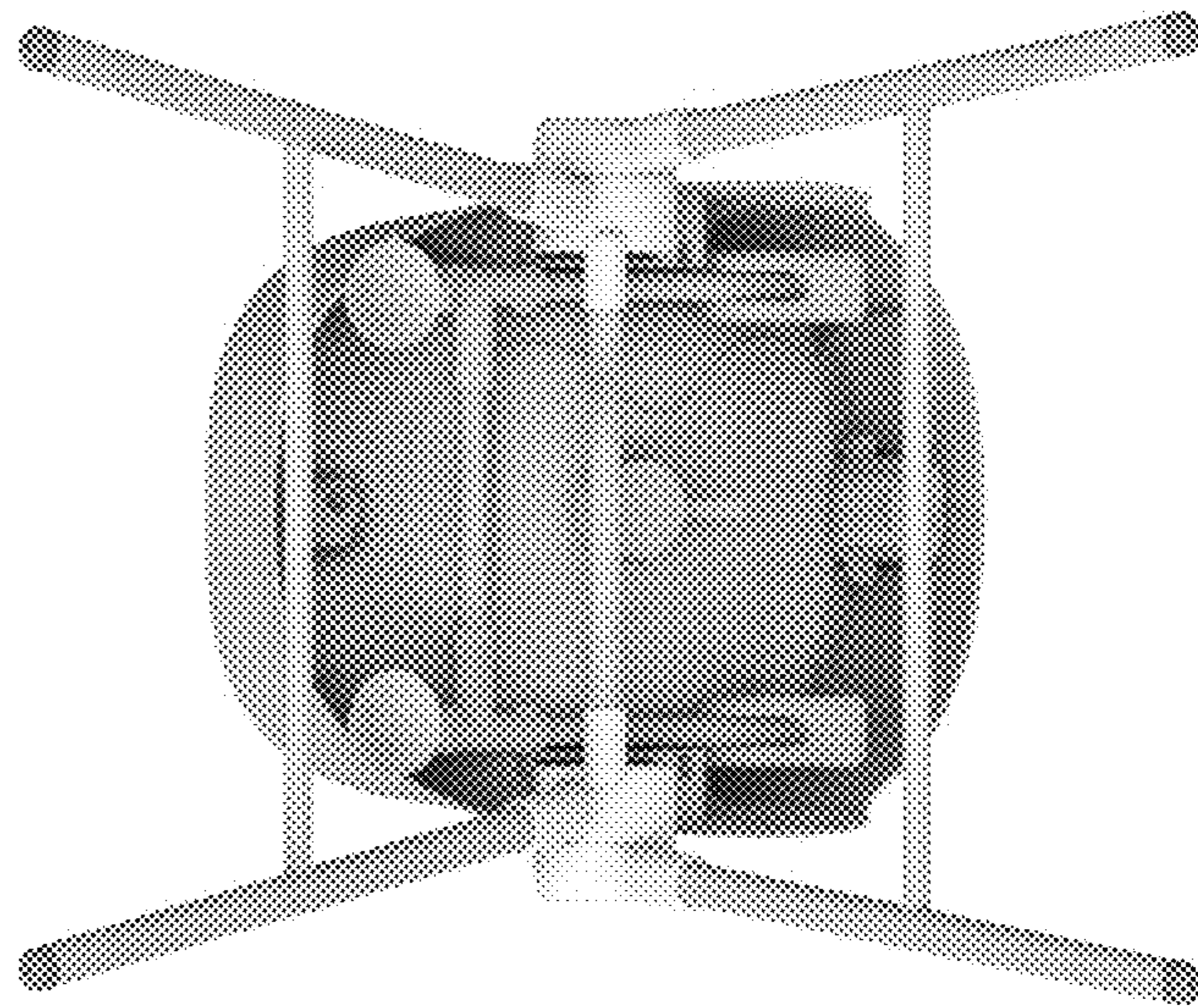
1.4



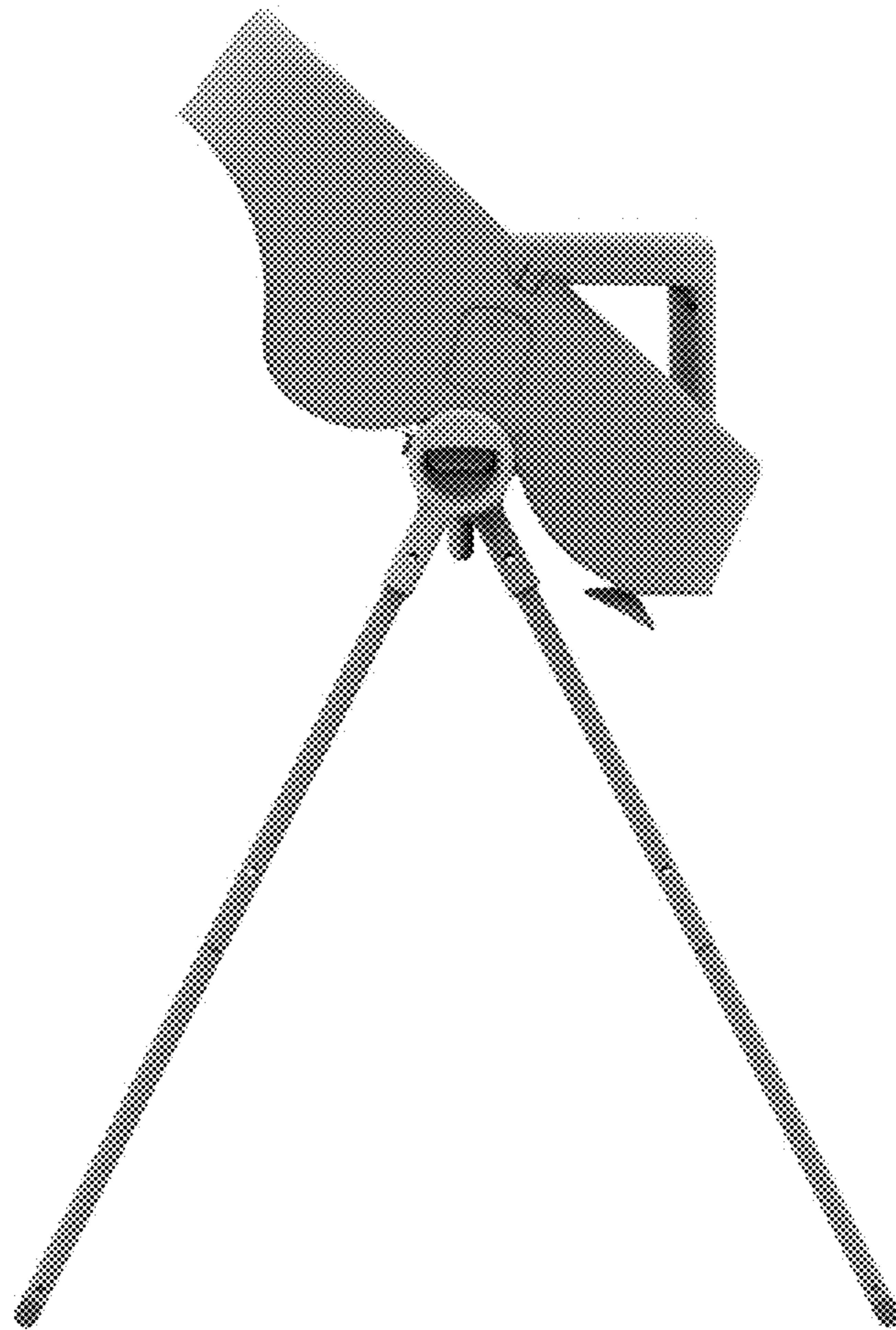
1.5



1.6



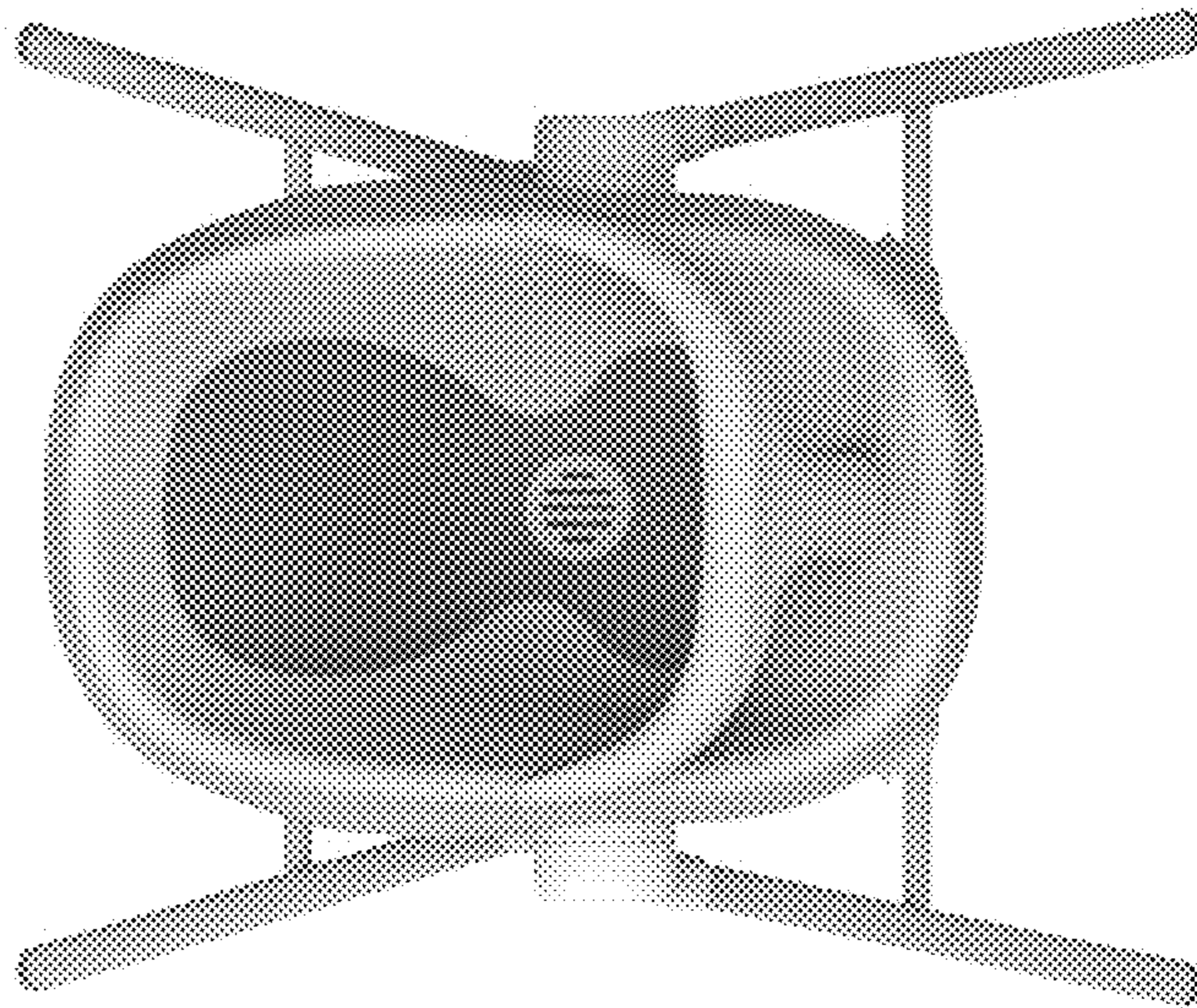
1.7



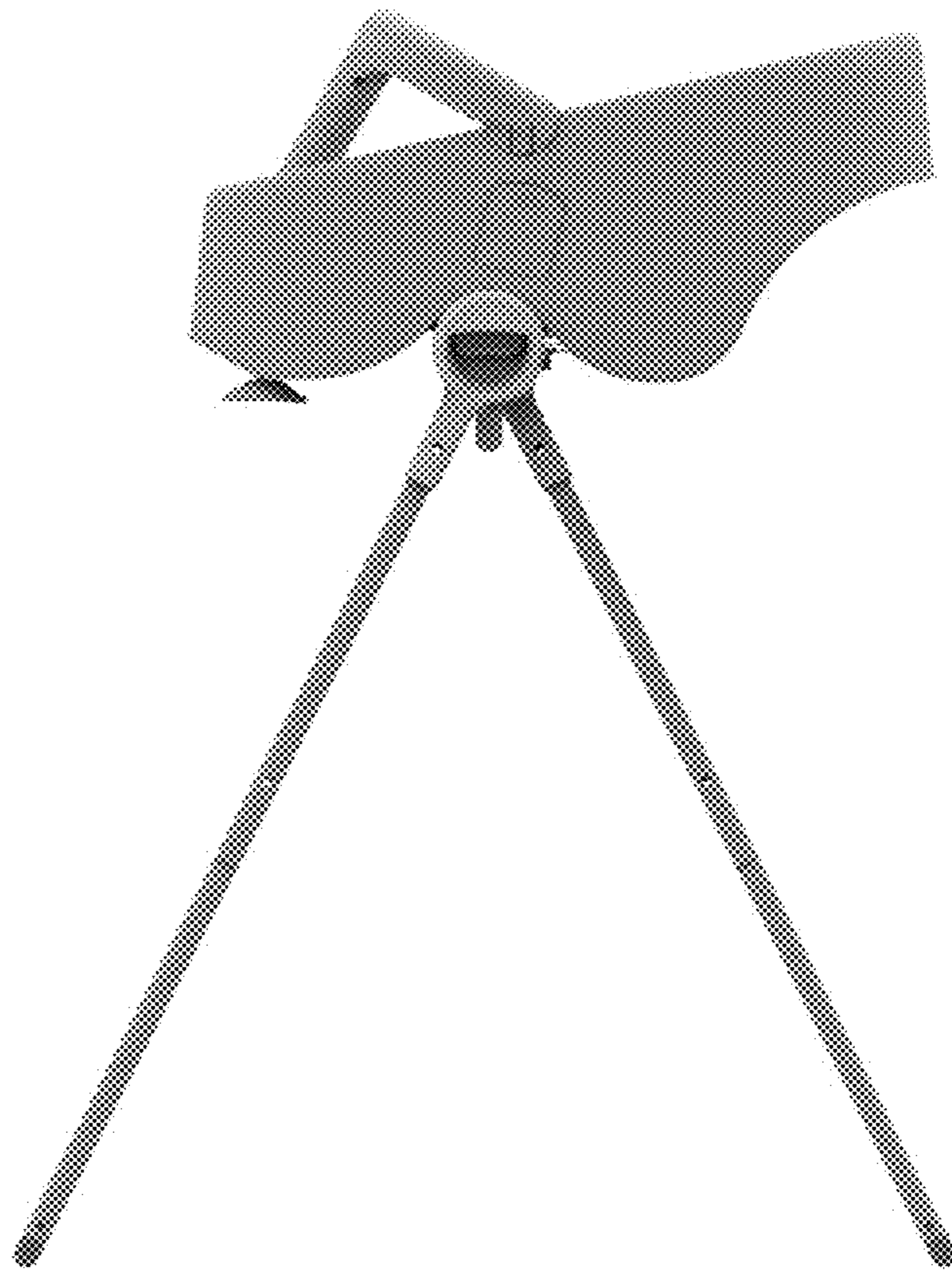
2.1



2.2



2.3



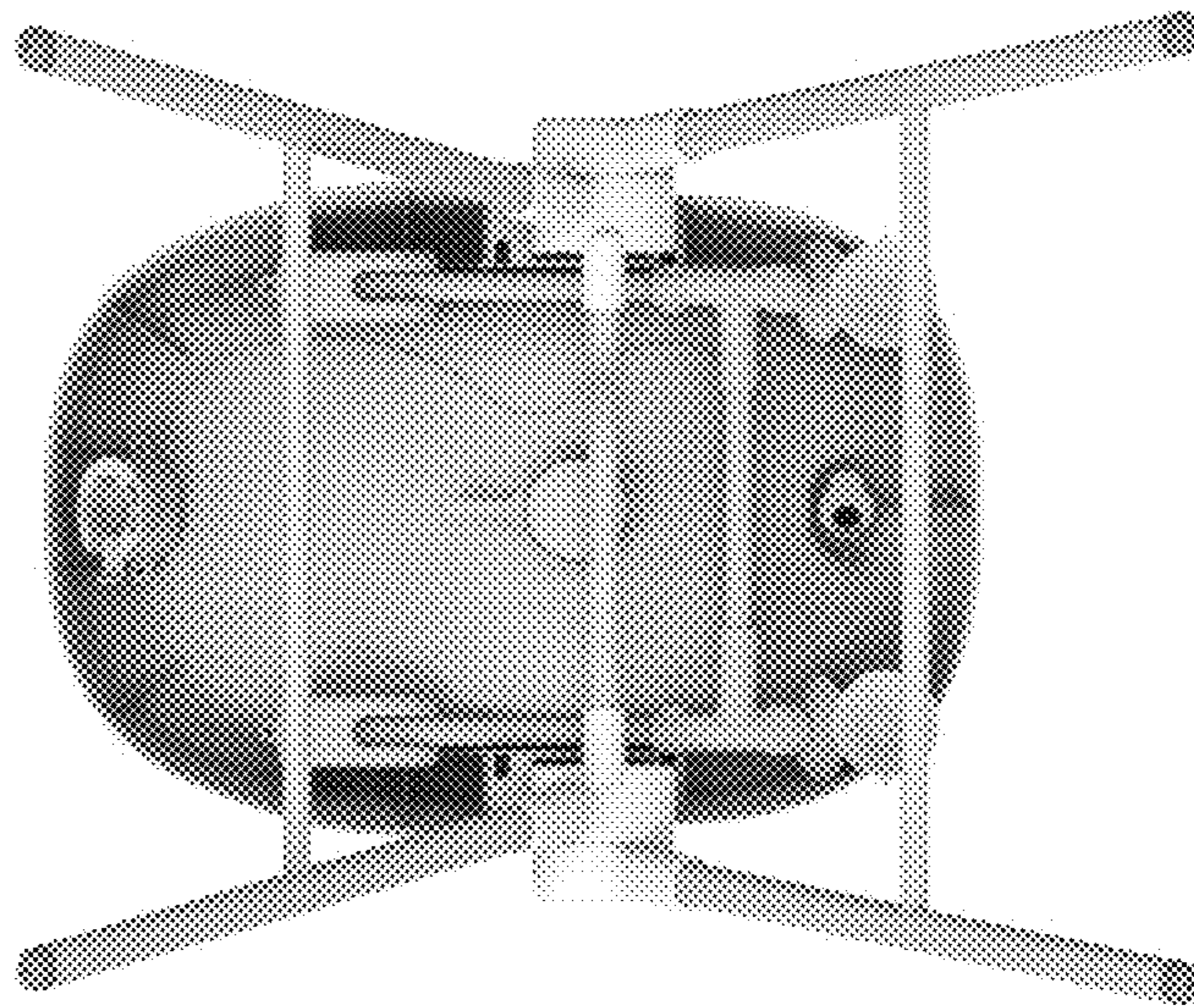
2.4



2.5



2.6



2.7

