



US00D895074S

(12) **United States Design Patent**
Johnson

(10) **Patent No.:** **US D895,074 S**

(45) **Date of Patent:** **** Sep. 1, 2020**

- (54) **FAUCET**
- (71) Applicant: **Kohler Co.**, Kohler, WI (US)
- (72) Inventor: **Drew Johnson**, Sheboygan, WI (US)
- (73) Assignee: **KOHLER CO.**, Kohler, WI (US)
- (**) Term: **15 Years**

D530,792 S	10/2006	Kohler et al.	
D530,793 S	10/2006	Sutopo	
D531,279 S	10/2006	Blomstrom	
D546,424 S	7/2007	Kohler et al.	
D573,695 S	7/2008	Rexach	
D581,029 S *	11/2008	Gilbert	D23/255
D583,442 S	12/2008	Montgomery et al.	
D811,556 S *	2/2018	Garland	D23/255

* cited by examiner

- (21) Appl. No.: **29/674,121**
- (22) Filed: **Dec. 19, 2018**
- (51) **LOC (12) Cl.** **23-01**
- (52) **U.S. Cl.**
USPC **D23/257**
- (58) **Field of Classification Search**
USPC D23/238, 241-243, 249, 255, 257
CPC Y10T 137/9464; Y10T 137/6014; Y10T
137/6017
See application file for complete search history.

Primary Examiner — Robert A Delehanty
(74) *Attorney, Agent, or Firm* — Foley & Lardner LLP

(57) **CLAIM**

I claim the ornamental design for a faucet, as shown and described.

DESCRIPTION

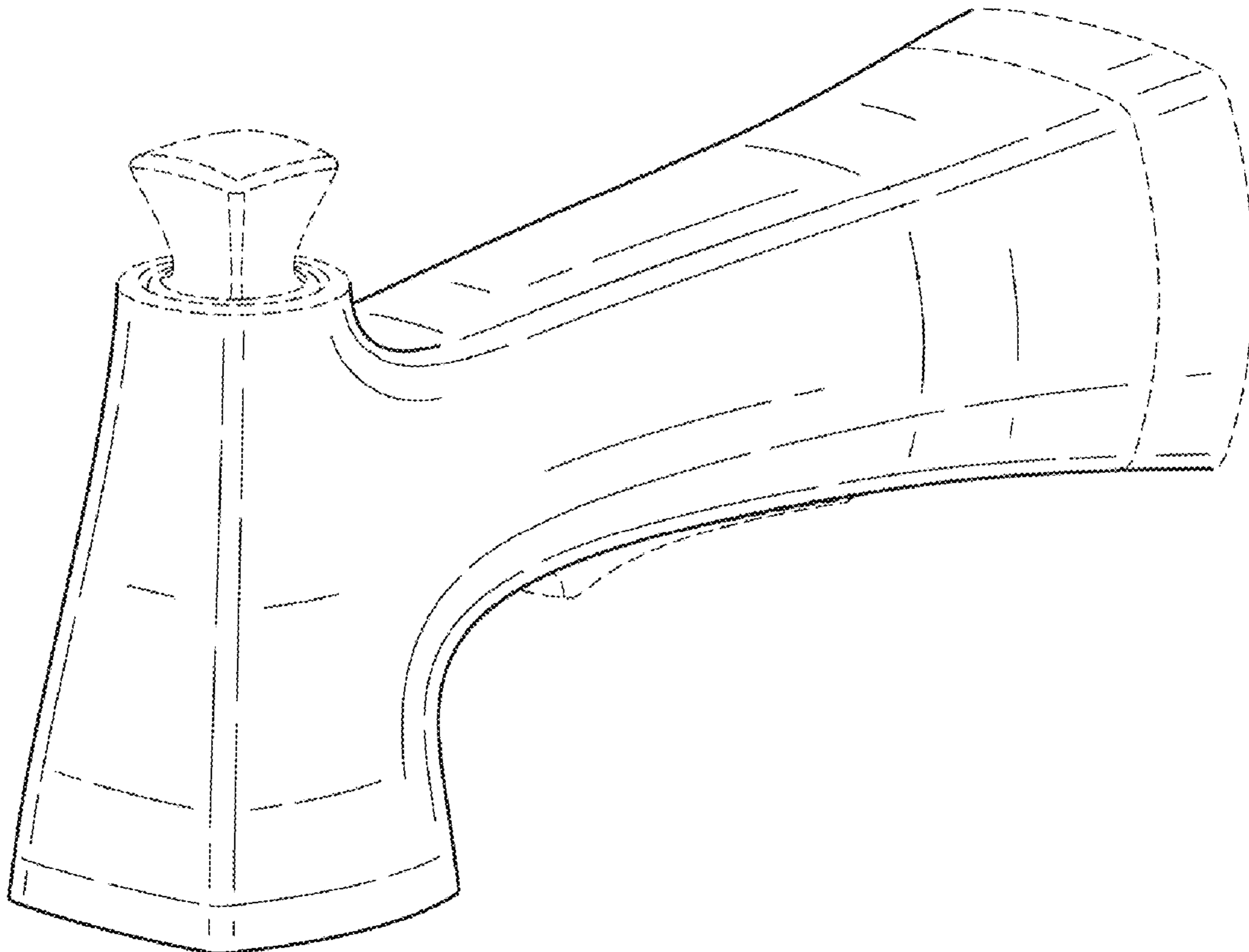
FIG. 1 is a perspective view of an embodiment of the claimed design;
 FIG. 2 is a front view of the embodiment of FIG. 1;
 FIG. 3 is a rear view of the embodiment of FIG. 1;
 FIG. 4 is a side view of the embodiment of FIG. 1;
 FIG. 5 is another side view of the embodiment of FIG. 1;
 FIG. 6 is a top view of the embodiment of FIG. 1; and,
 FIG. 7 is a bottom view of the embodiment of FIG. 1.
 The ornamental design which is claimed is shown in solid lines in the drawings. The broken lines in the drawings are for illustrative purposes only and form no part of the claimed design. Broken lines formed of unequal length dashes (i.e., dash-dot) define bounds of the claimed design.

(56) **References Cited**

U.S. PATENT DOCUMENTS

D266,452 S	10/1982	Fleischmann et al.	
D295,664 S	5/1988	Kohler et al.	
D417,262 S	11/1999	Caplow	
D488,539 S *	4/2004	McKeone	D23/255
D508,978 S *	8/2005	Otero	D23/255
D529,589 S *	10/2006	Veltz	D23/255

1 Claim, 4 Drawing Sheets



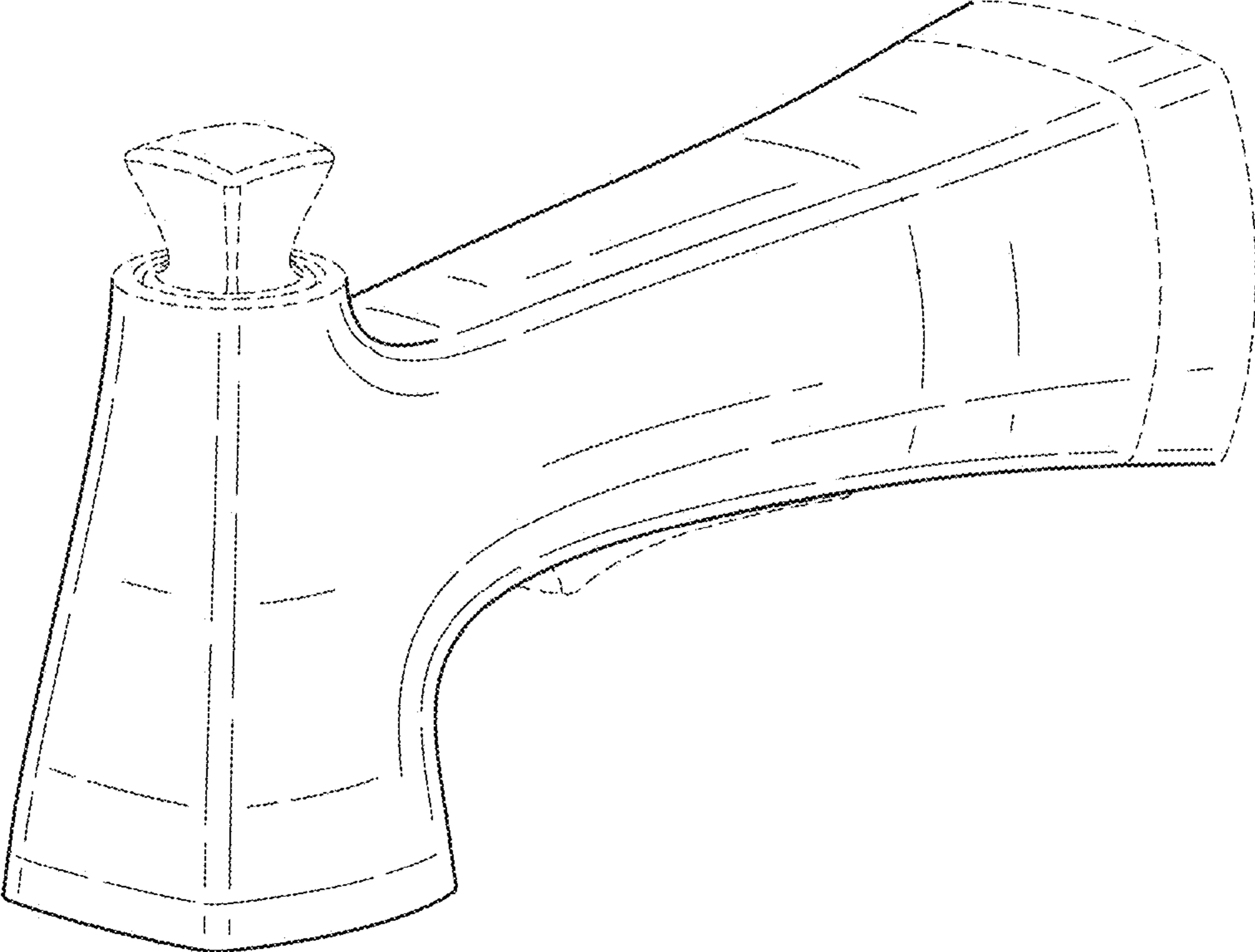


FIG. 1

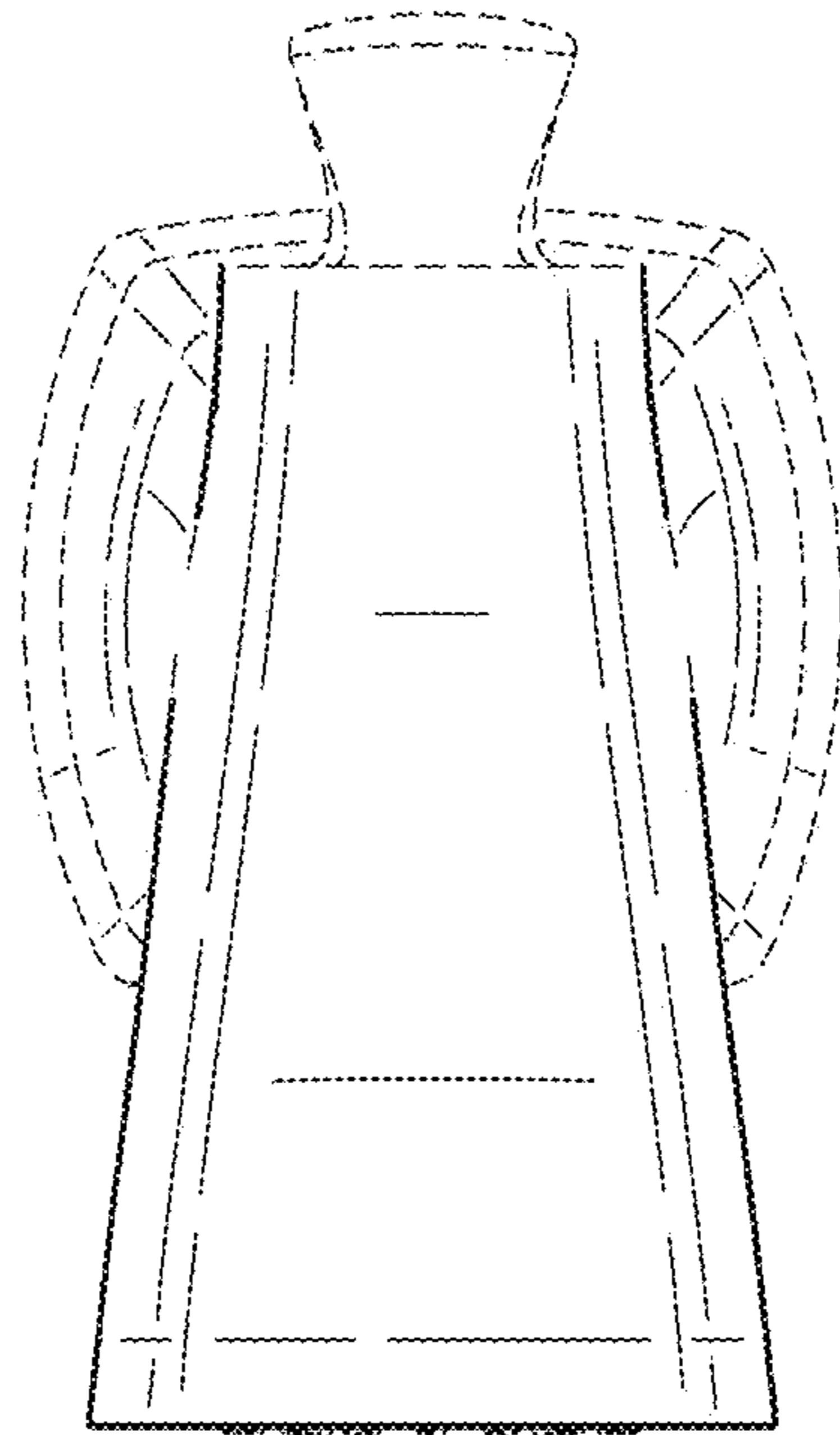


FIG. 2

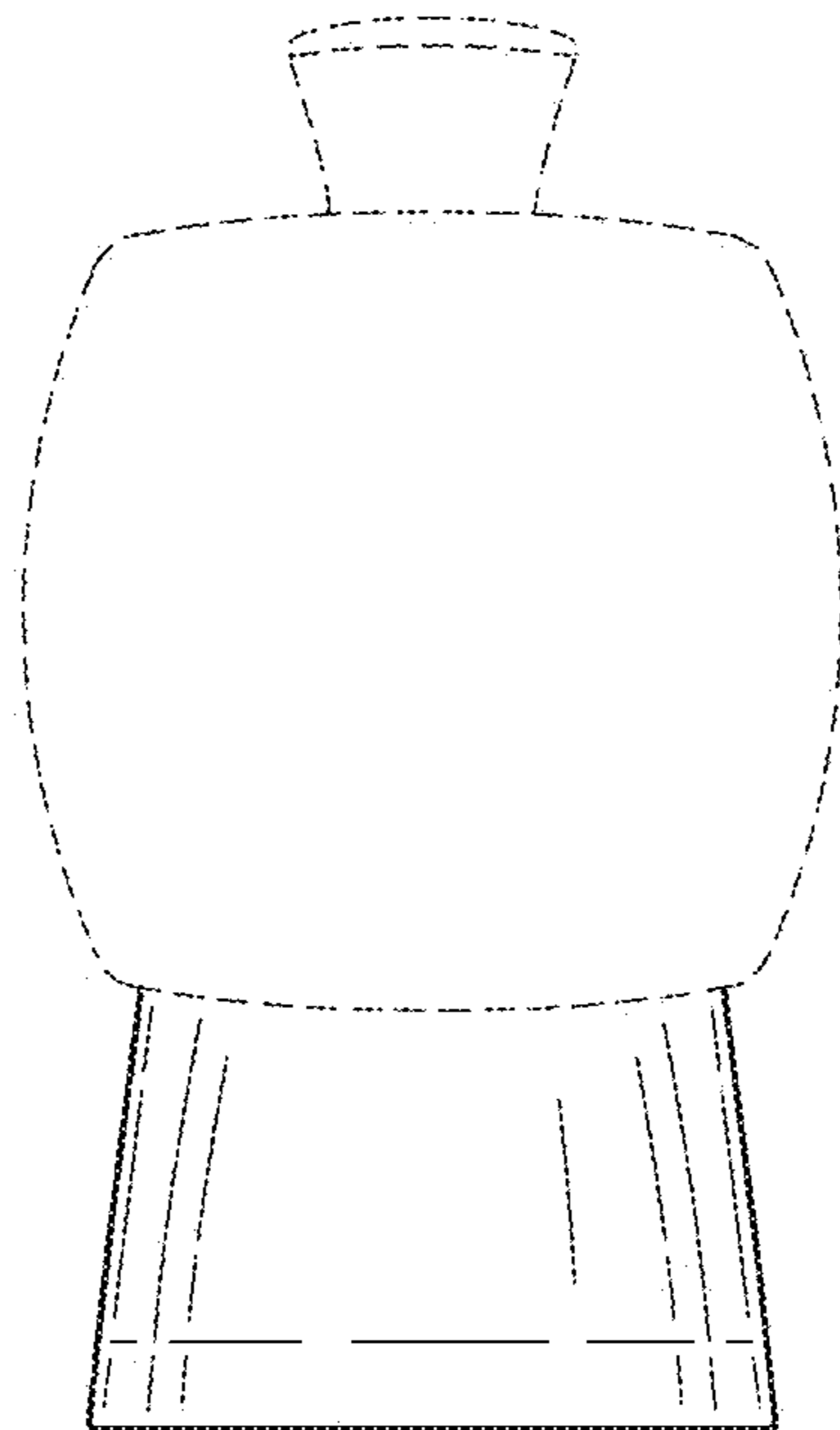


FIG. 3

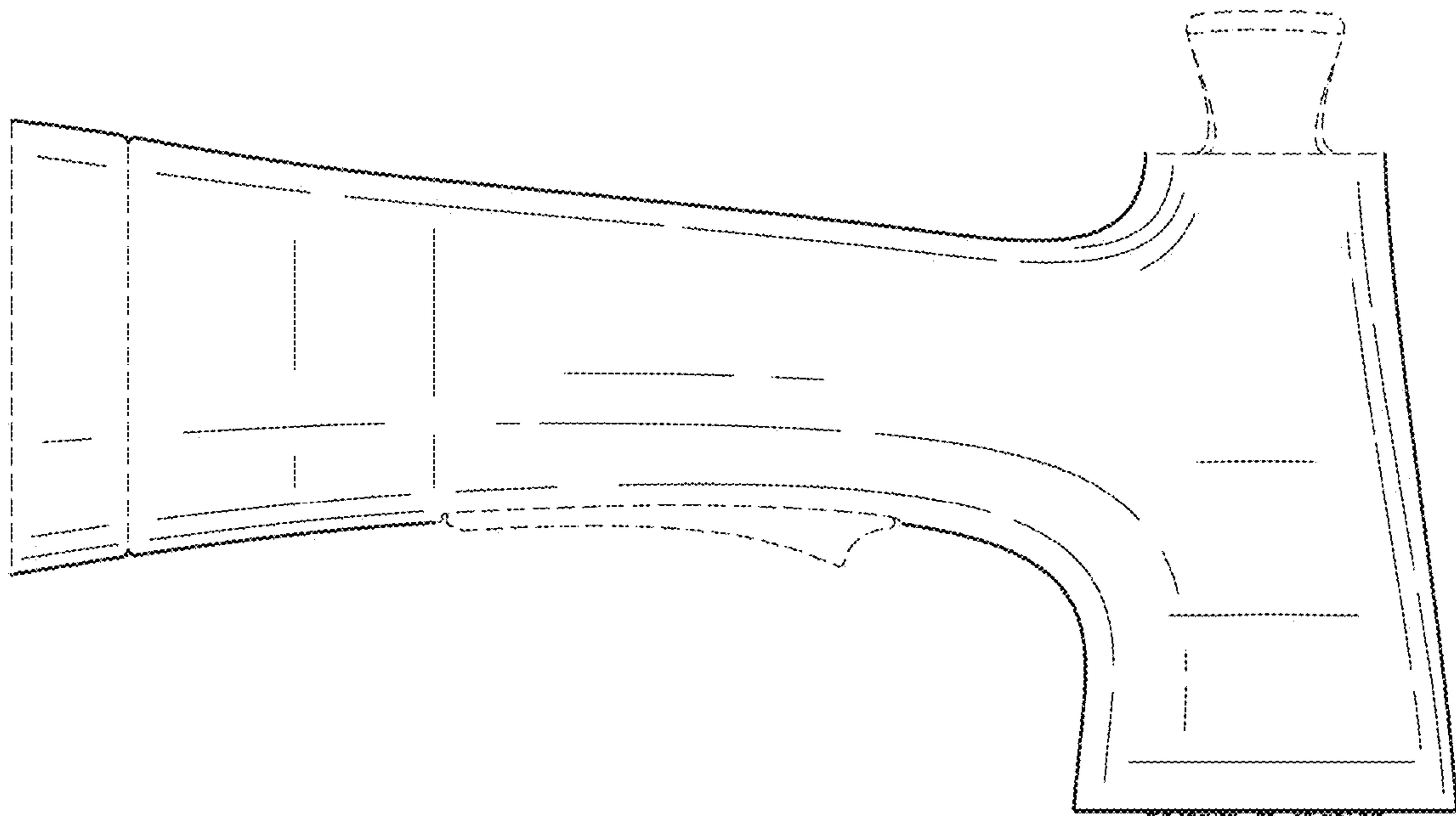


FIG. 4

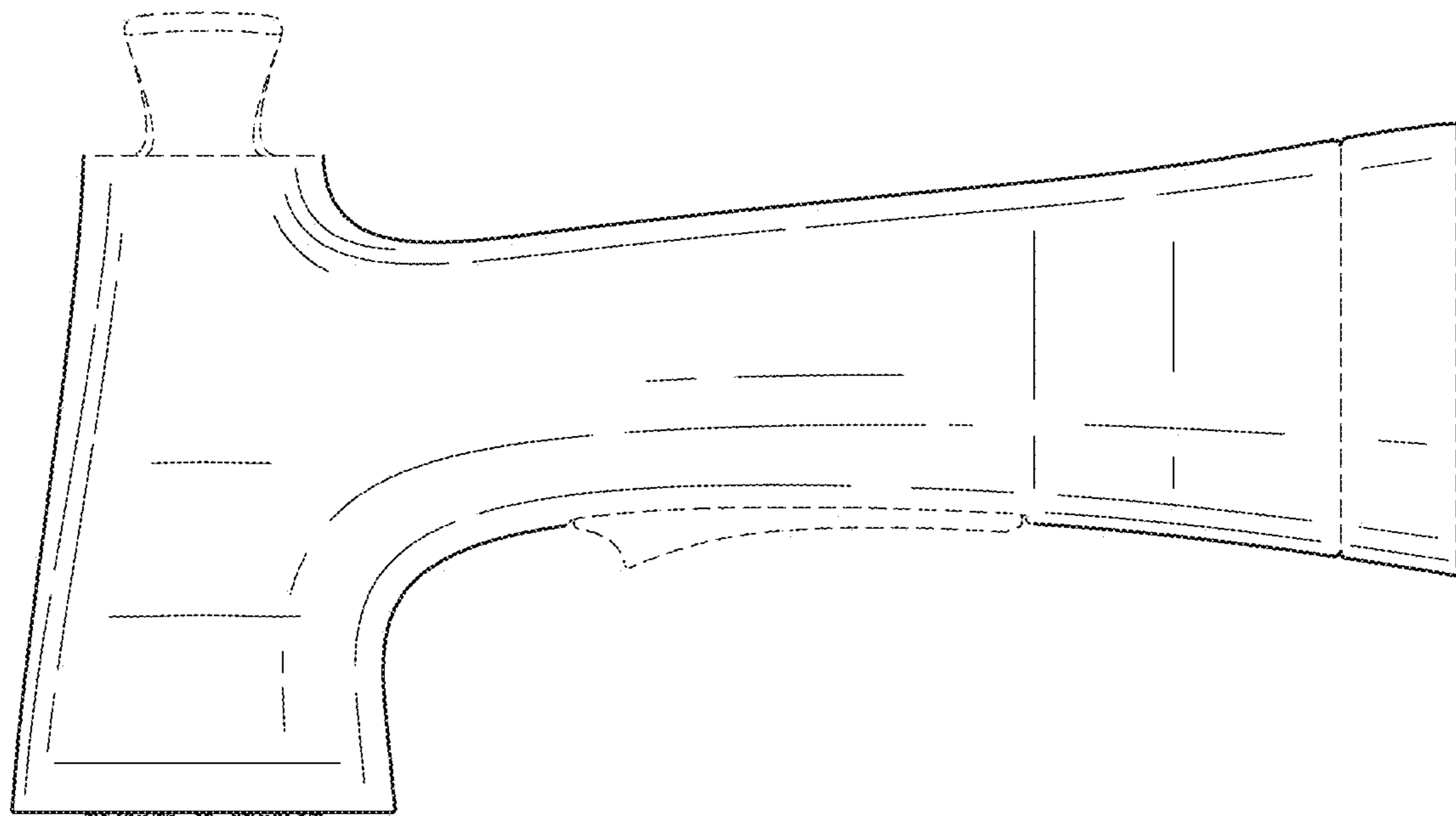


FIG. 5

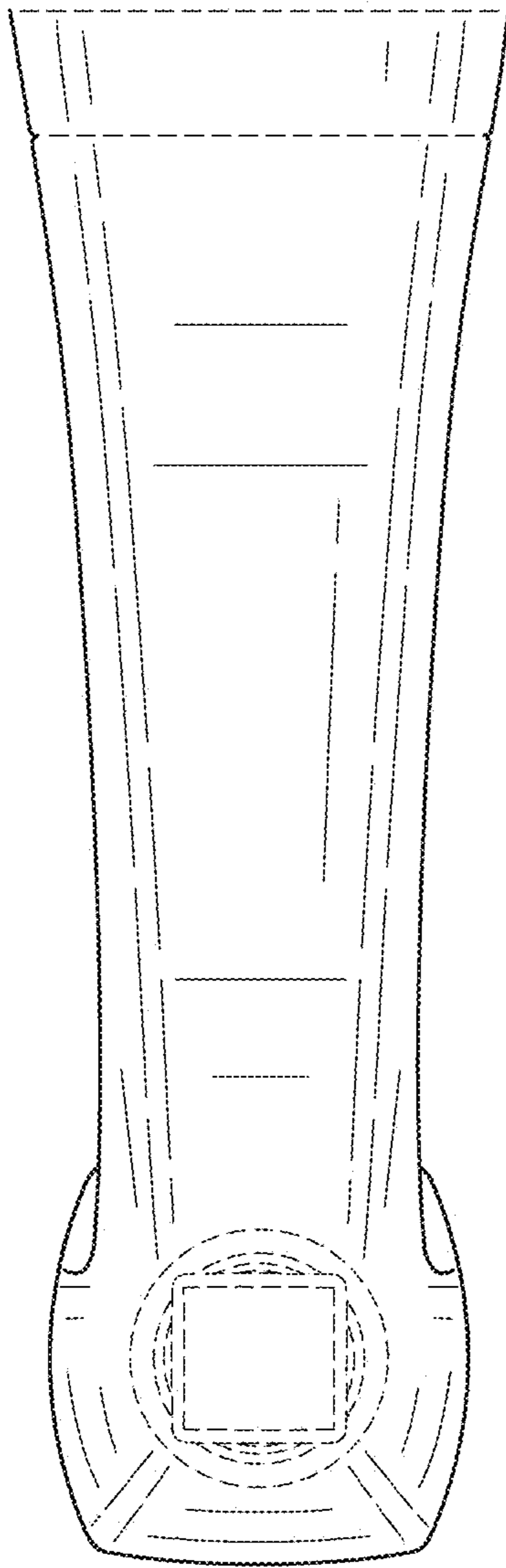


FIG. 6

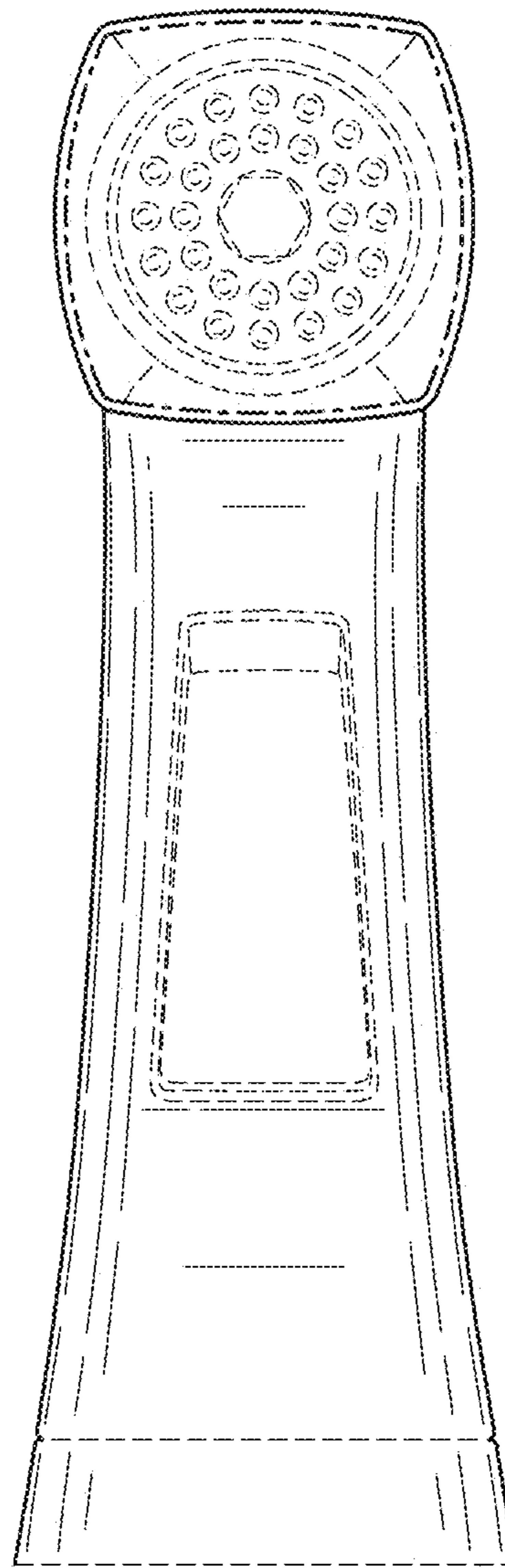


FIG. 7