



US00D895072S

(12) **United States Design Patent**  
**Sato et al.**

(10) **Patent No.:** **US D895,072 S**

(45) **Date of Patent:** **\*\* Sep. 1, 2020**

(54) **VALVE**

(71) Applicant: **ASAHI YUKIZAI CORPORATION**,  
Nobeoka-shi, Miyazaki (JP)

(72) Inventors: **Yukinobu Sato**, Nobeoka (JP);  
**Kensuke Masuda**, Nobeoka (JP);  
**Nobuyuki Matsukuma**, Fukuoka-ken  
(JP)

(73) Assignee: **ASAHI YUKIZAI CORPORATION**,  
Nobeoka-Shi, Miyazaki (JP)

(\*\*) Term: **15 Years**

(21) Appl. No.: **29/672,527**

(22) Filed: **Dec. 6, 2018**

(30) **Foreign Application Priority Data**

Jun. 8, 2018 (JP) ..... 2018-012660

(51) **LOC (12) Cl.** ..... **23-01**

(52) **U.S. Cl.**  
USPC ..... **D23/245**

(58) **Field of Classification Search**  
USPC ..... D23/233-235, 237, 241-249  
CPC ..... F16K 7/126; F16K 7/17; F16K 31/122;  
F16K 31/402; F16K 41/103; F16K  
15/148; F16K 31/0641; F16K 99/0015;  
F16K 27/029

See application file for complete search history.

(56) **References Cited**

U.S. PATENT DOCUMENTS

D522,618 S \* 6/2006 Matsushita ..... D23/233  
D609,306 S \* 2/2010 Moriyama ..... D23/233

D609,307 S \* 2/2010 Moriyama ..... D23/233  
D637,270 S \* 5/2011 Nicolia ..... D23/235  
D817,454 S \* 5/2018 Sato ..... D23/245  
D857,172 S \* 8/2019 Shinozaki ..... D23/245  
D871,551 S \* 12/2019 Shinozaki ..... D23/245

**FOREIGN PATENT DOCUMENTS**

JP D1380666 2/2010

\* cited by examiner

*Primary Examiner* — Gino Colan

(74) *Attorney, Agent, or Firm* — Buchanan Ingersoll &  
Rooney PC

(57) **CLAIM**

The ornamental design for a valve, as shown and described.

**DESCRIPTION**

FIG. 1 is a perspective view of a valve showing our new design;

FIG. 2 is a front view thereof;

FIG. 3 is a rear view thereof;

FIG. 4 is a left side view thereof;

FIG. 5 is a right side view thereof;

FIG. 6 is a top plan view thereof; and,

FIG. 7 is a bottom plan view thereof.

The broken lines shown in the figures are included for the purpose of illustrating portions of the valve and form no part of the claimed design.

**1 Claim, 6 Drawing Sheets**

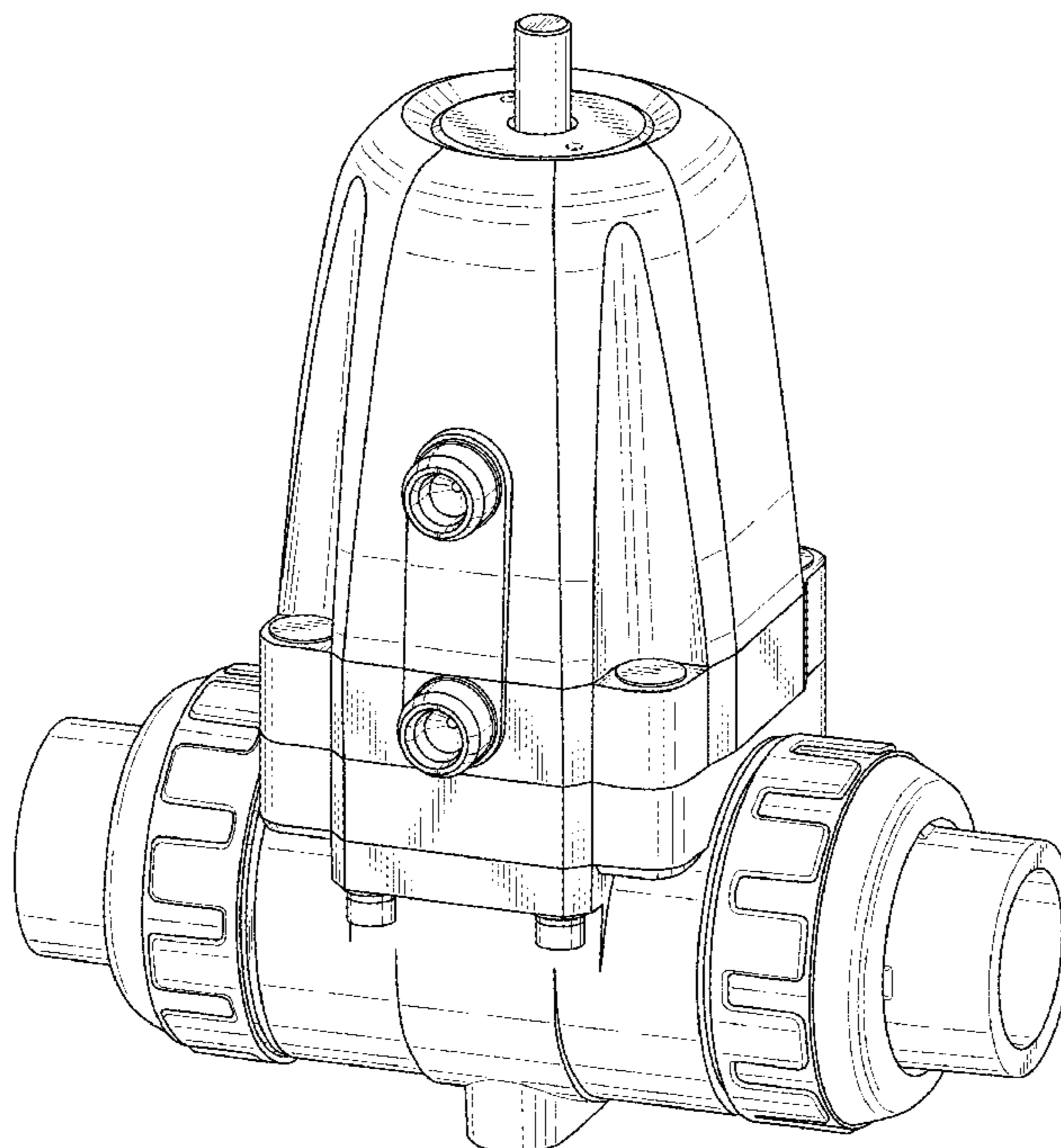


FIG. 1

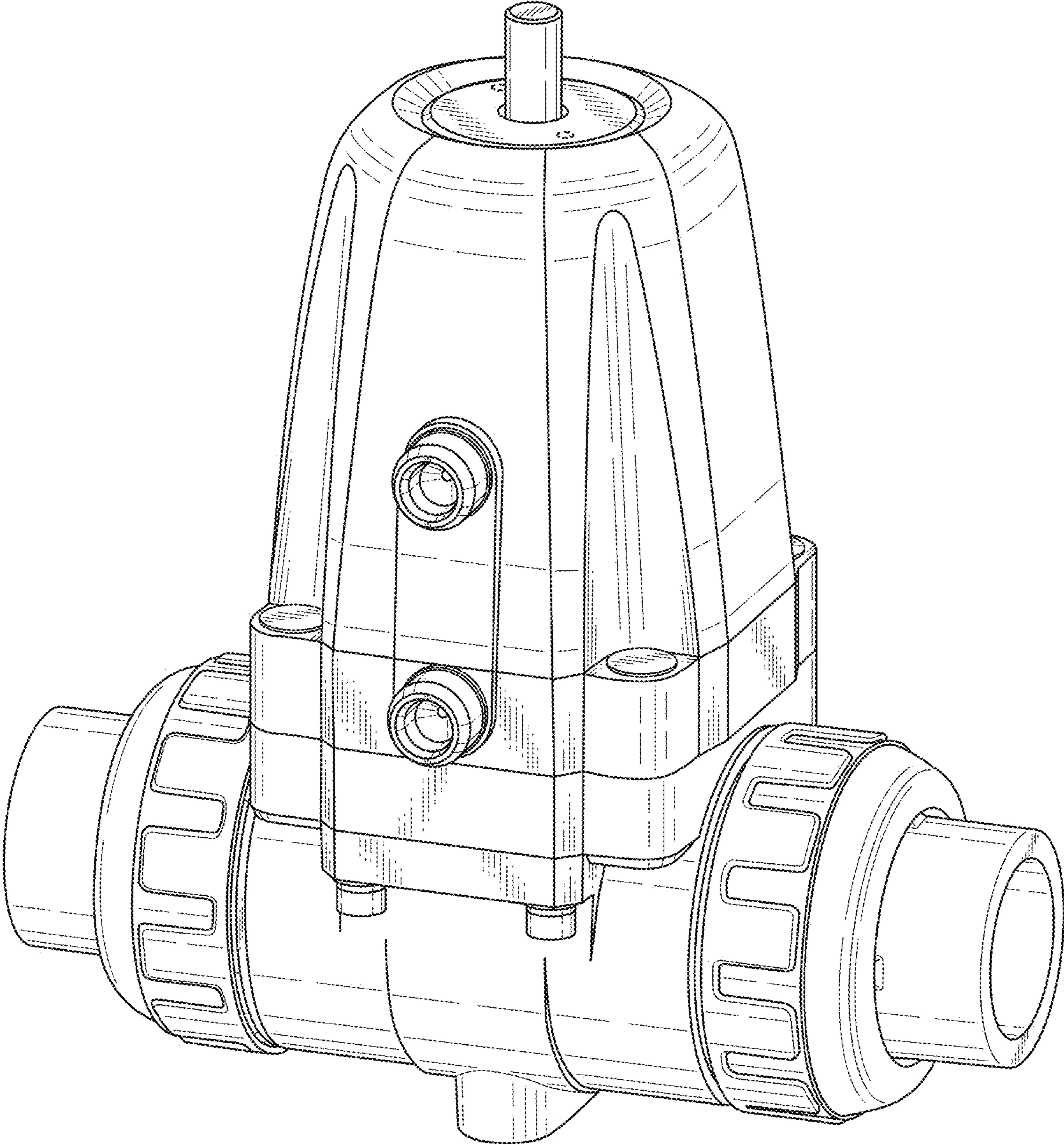


FIG. 2

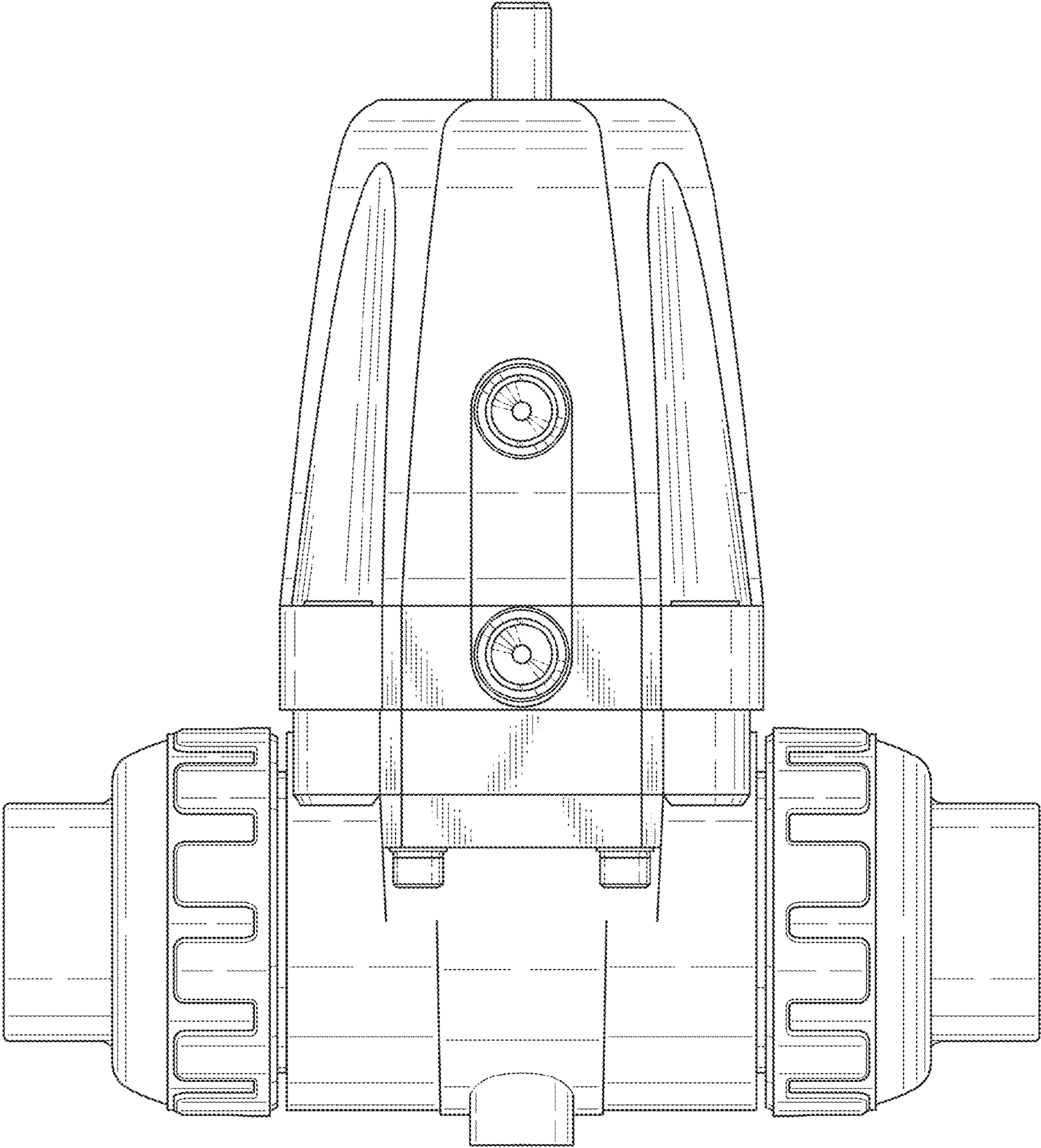


FIG. 3

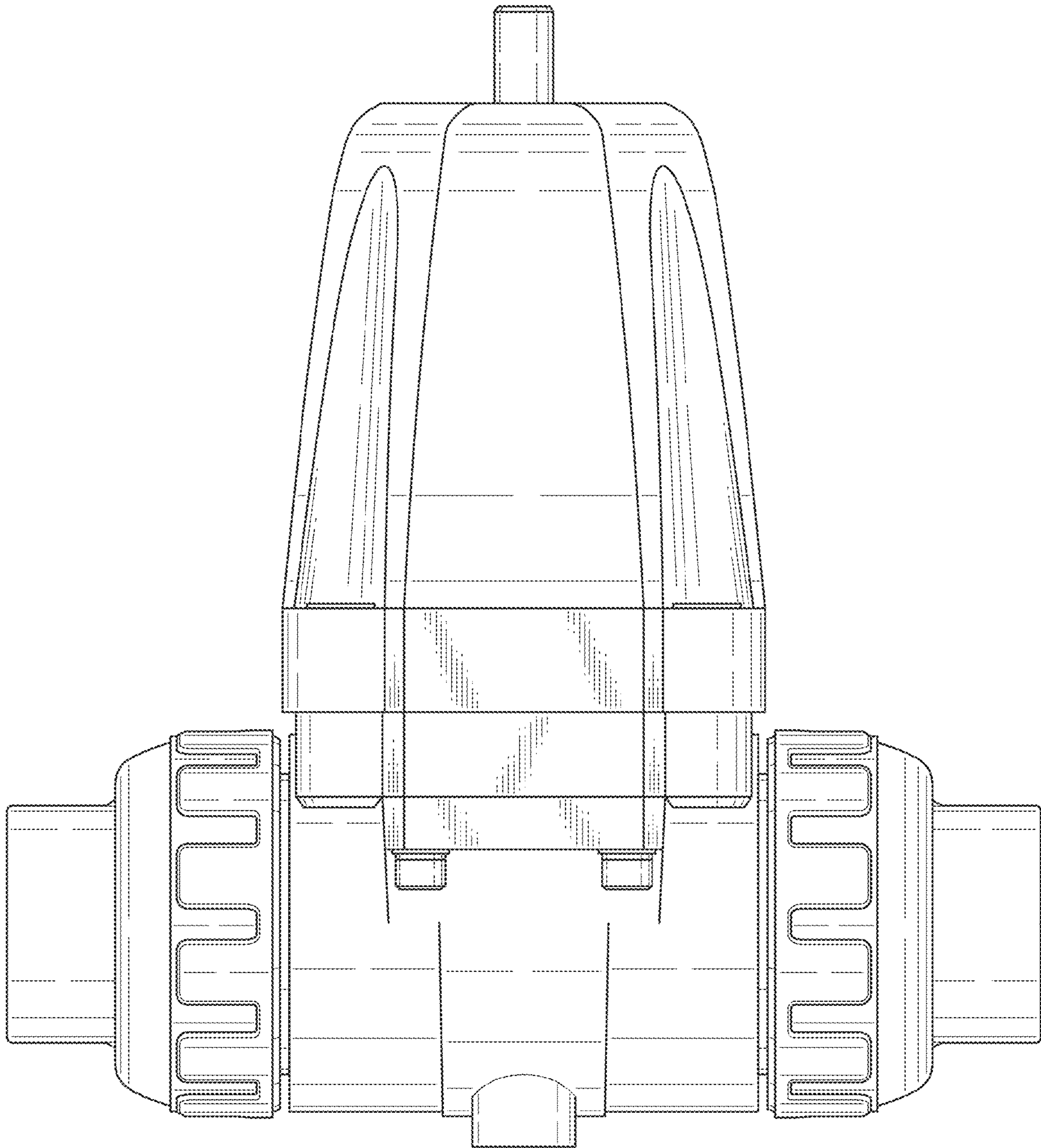


FIG. 4

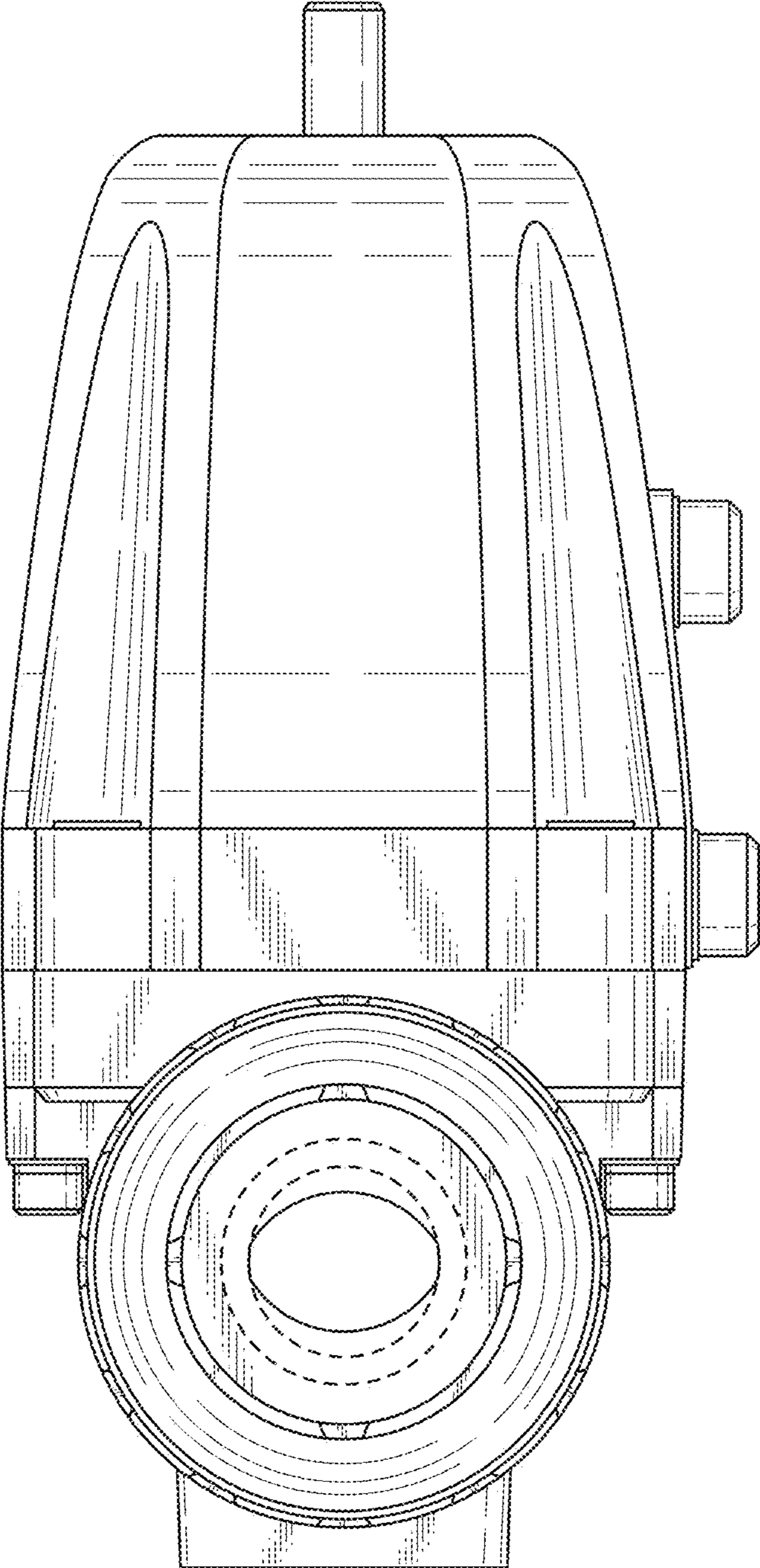


FIG. 5

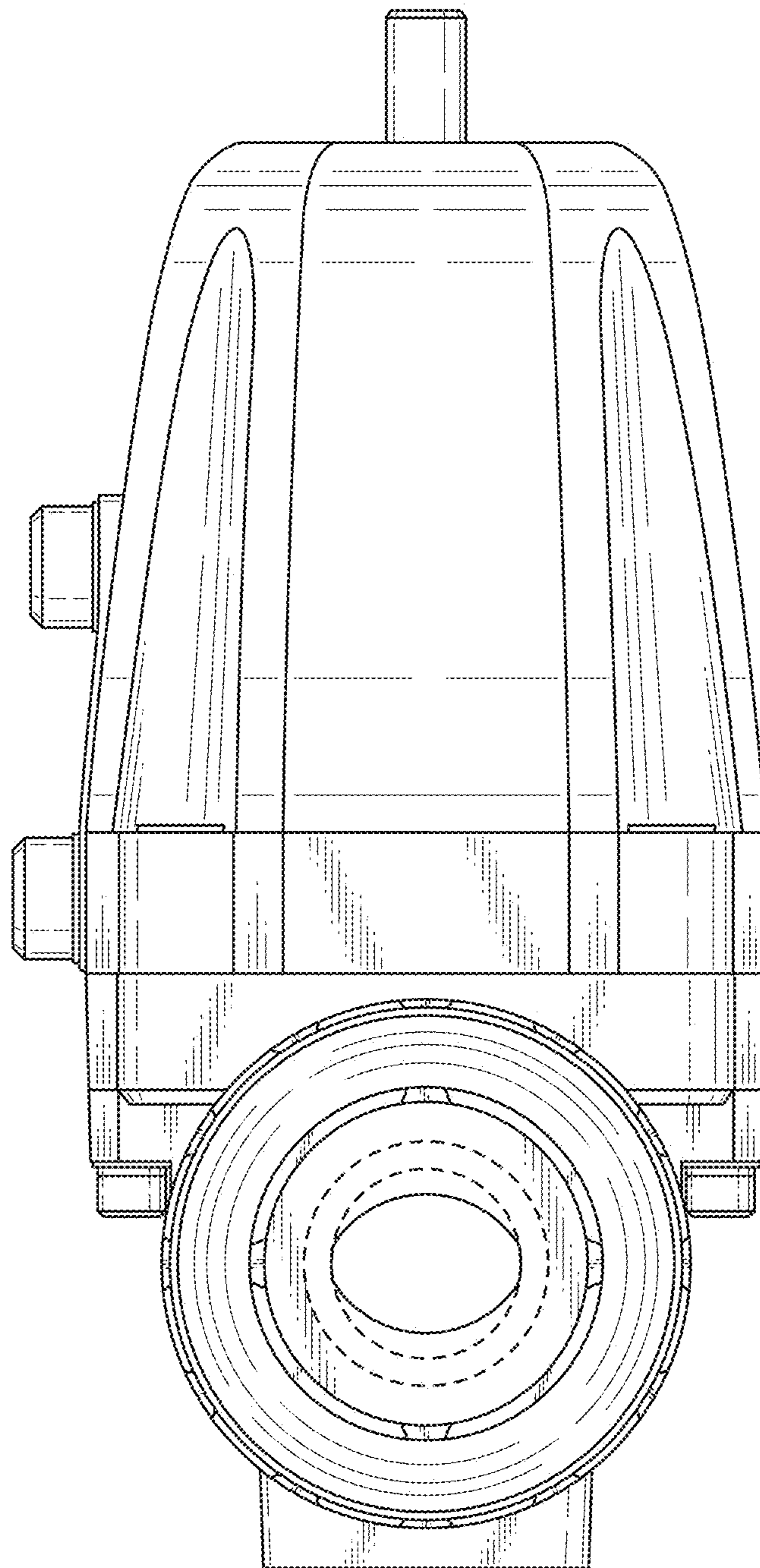


FIG. 6

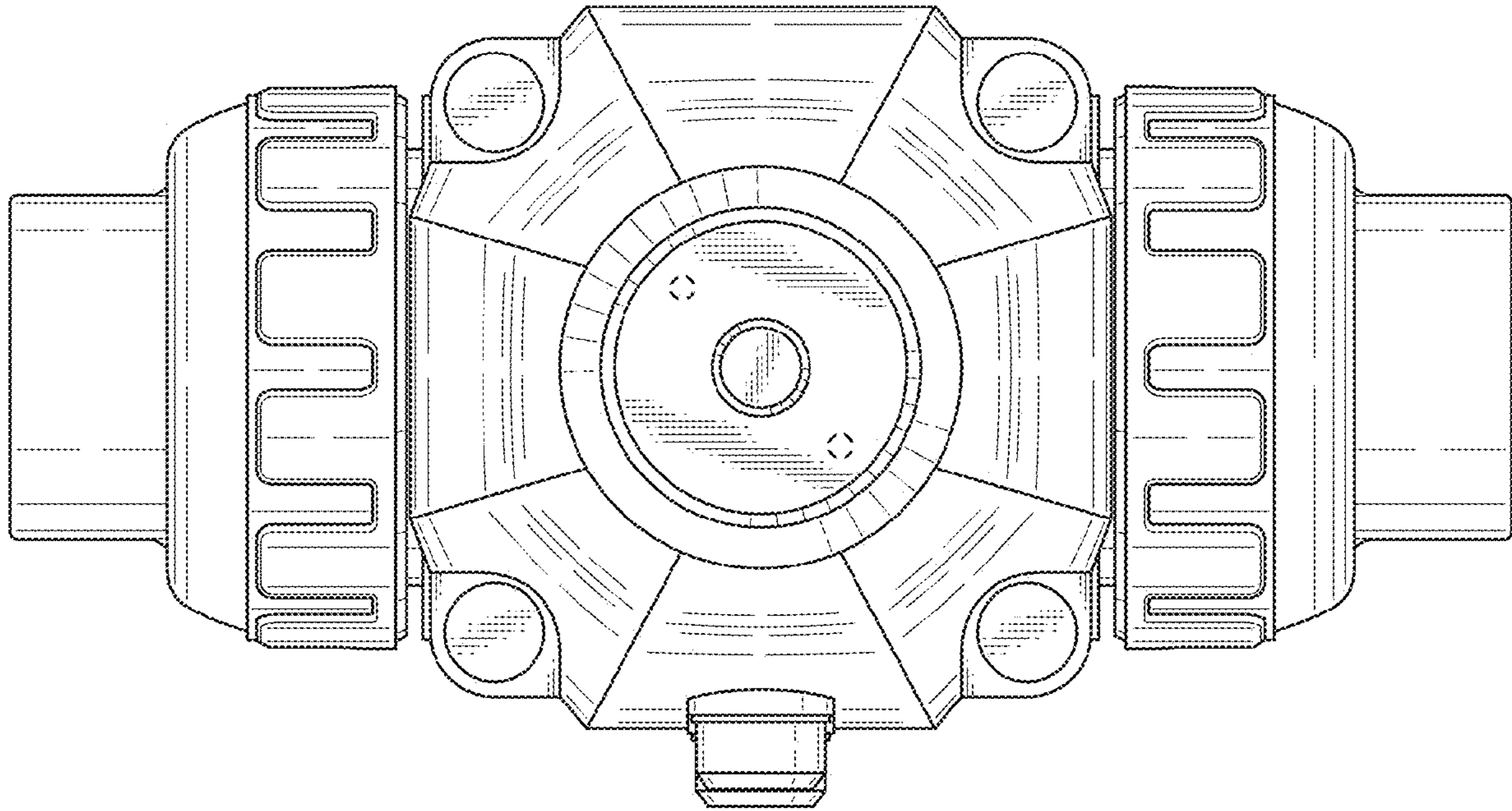


FIG. 7

