



US00D895070S

(12) **United States Design Patent**
Zhang

(10) **Patent No.:** **US D895,070 S**

(45) **Date of Patent:** **** Sep. 1, 2020**

(54) **FAUCET**

(71) Applicant: **WENZHOU BEIJIALAI SANITARY WARE CO., LTD.**, Wenzhou (CN)

(72) Inventor: **Hua Zhang**, Chongqing (CN)

(73) Assignee: **WENZHOU BEIJIALAI SANITARY WARE CO., LTD.**, Wenzhou (CN)

(**) Term: **15 Years**

(21) Appl. No.: **29/735,852**

(22) Filed: **May 26, 2020**

(51) **LOC (12) Cl.** **23-01**

(52) **U.S. Cl.**
USPC **D23/238**

(58) **Field of Classification Search**
USPC D23/238-243, 249-250, 252, 254-255,
D23/257, 245; D8/307; D28/54.1
See application file for complete search history.

(56) **References Cited**

U.S. PATENT DOCUMENTS

D556,863 S * 12/2007 Demmer D23/235
D566,815 S * 4/2008 Wang D23/242

D643,908 S * 8/2011 Sieger D23/238
D708,710 S * 7/2014 Yu D23/238
D800,270 S 10/2017 Andrew
D810,236 S * 2/2018 Schoenherr D23/238
D859,590 S * 9/2019 Wieser D23/239
D871,546 S 12/2019 Bahler
D883,437 S * 5/2020 Massaud D23/238
D884,127 S * 5/2020 Massaud D23/254
2020/0048882 A1* 2/2020 Hoogendoorn E03C 1/0412
2020/0087901 A1* 3/2020 Rosko E03C 1/0404

* cited by examiner

Primary Examiner — Robert A Delehanty

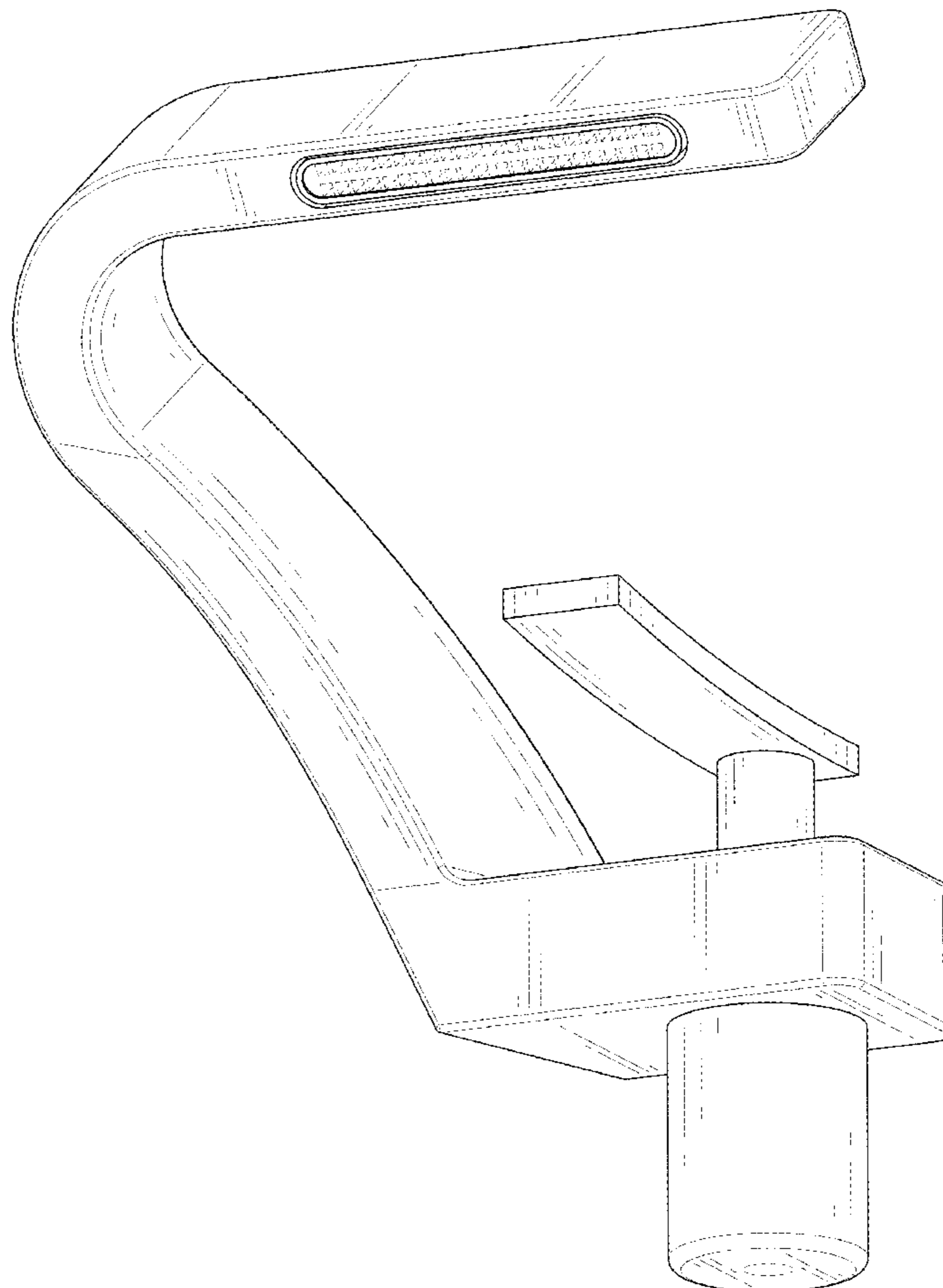
(57) **CLAIM**

The ornamental design for a faucet, as shown and described.

DESCRIPTION

FIG. 1 is a perspective view of a faucet showing my new design;
FIG. 2 is another perspective view thereof;
FIG. 3 is a front elevational view thereof;
FIG. 4 is a rear elevational view thereof;
FIG. 5 is a left side elevational view thereof;
FIG. 6 is a right side elevational view thereof;
FIG. 7 is a top plan view thereof; and,
FIG. 8 is a bottom plan view thereof.
The broken lines in the drawings depict portions of the faucet that form no part of the claimed design.

1 Claim, 8 Drawing Sheets



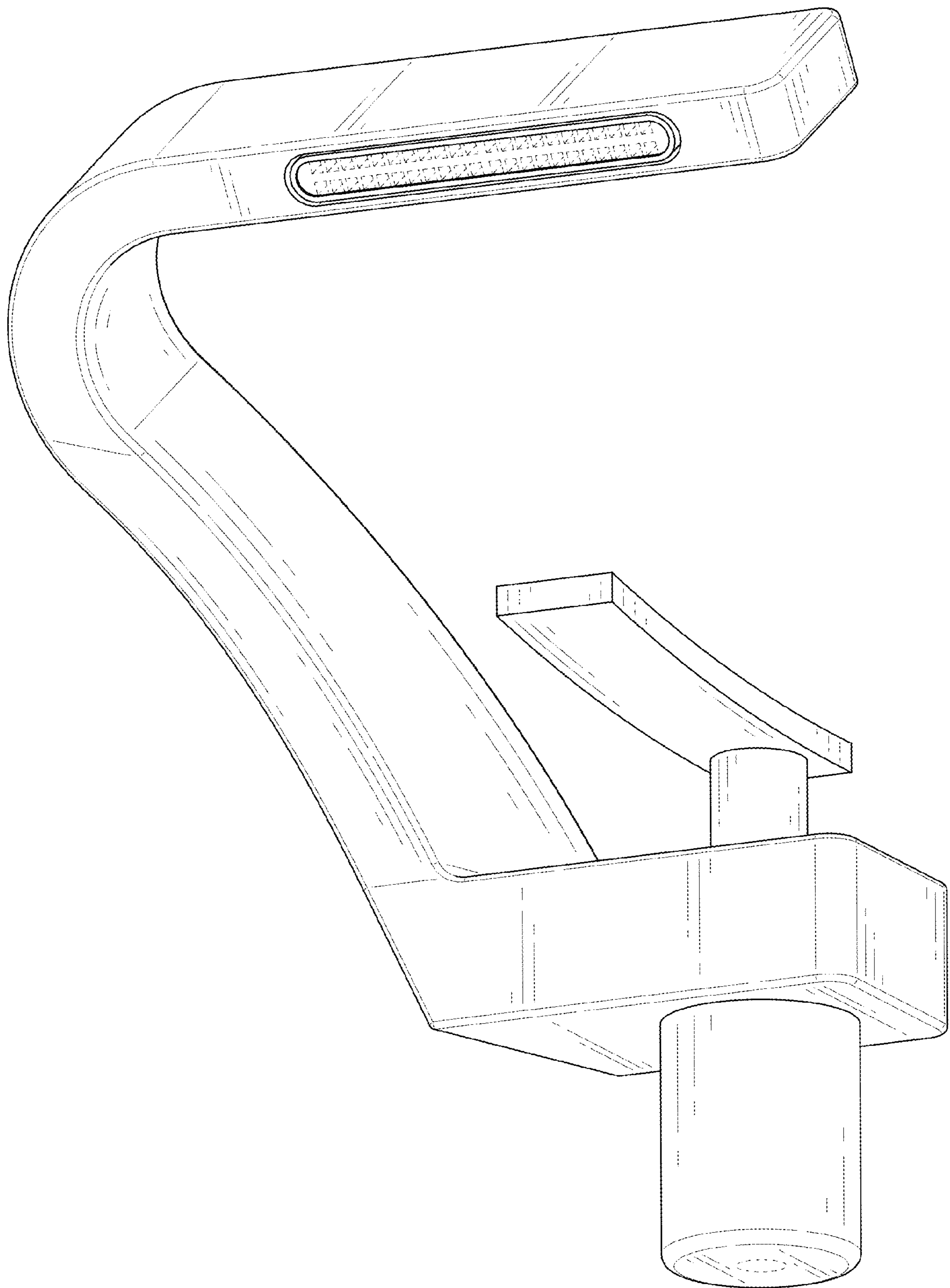


FIG. 1

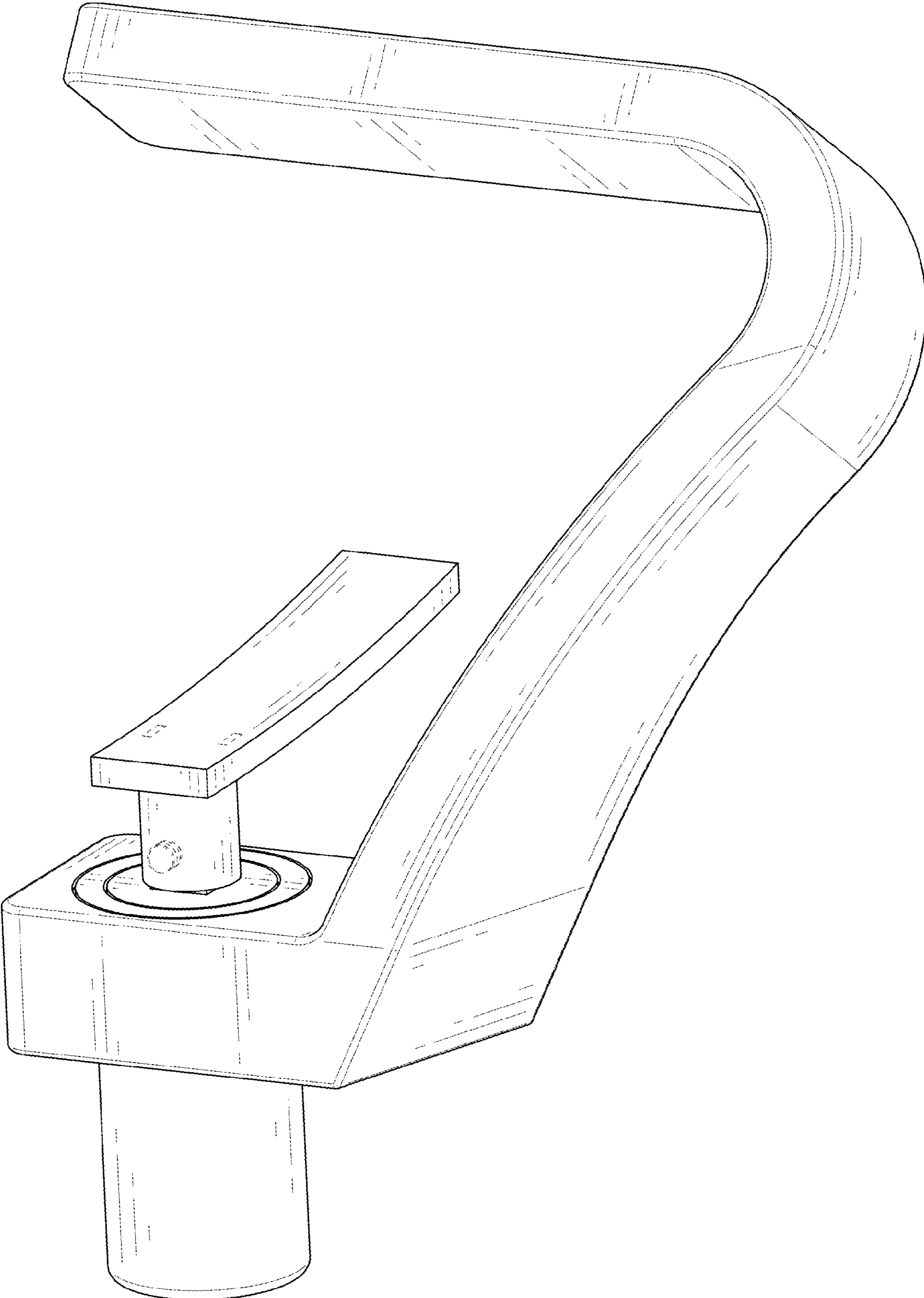


FIG. 2

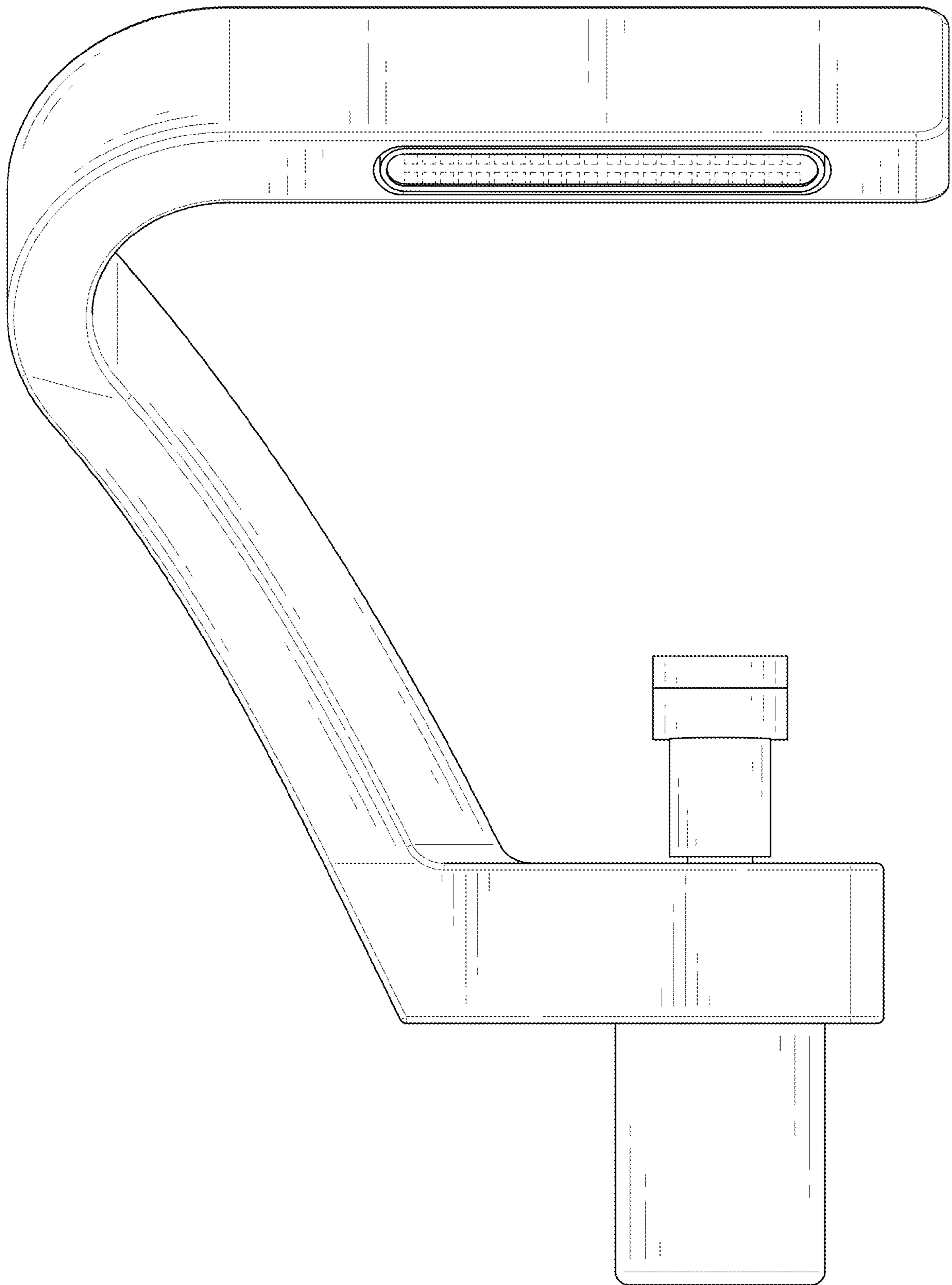


FIG. 3

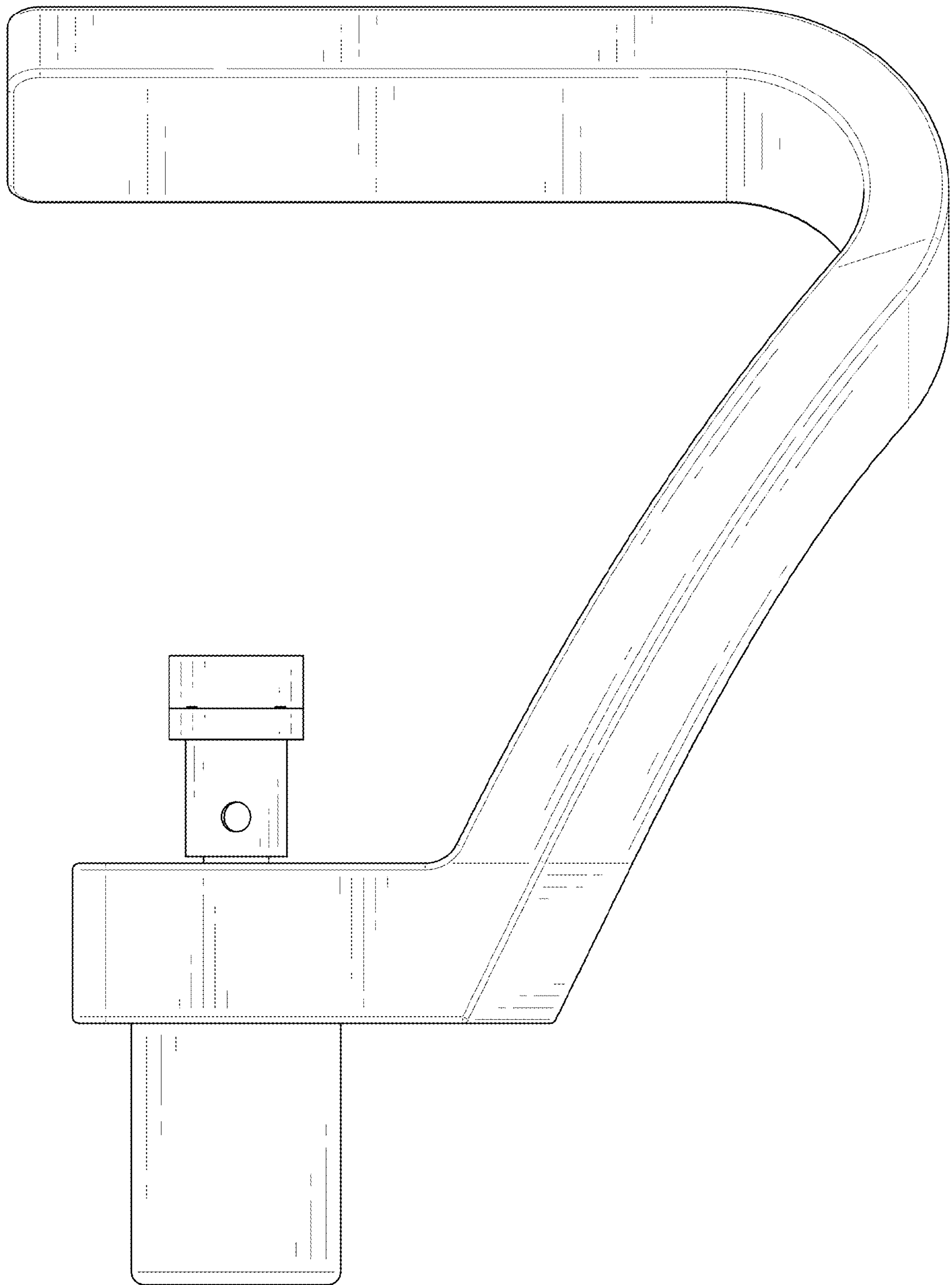


FIG. 4

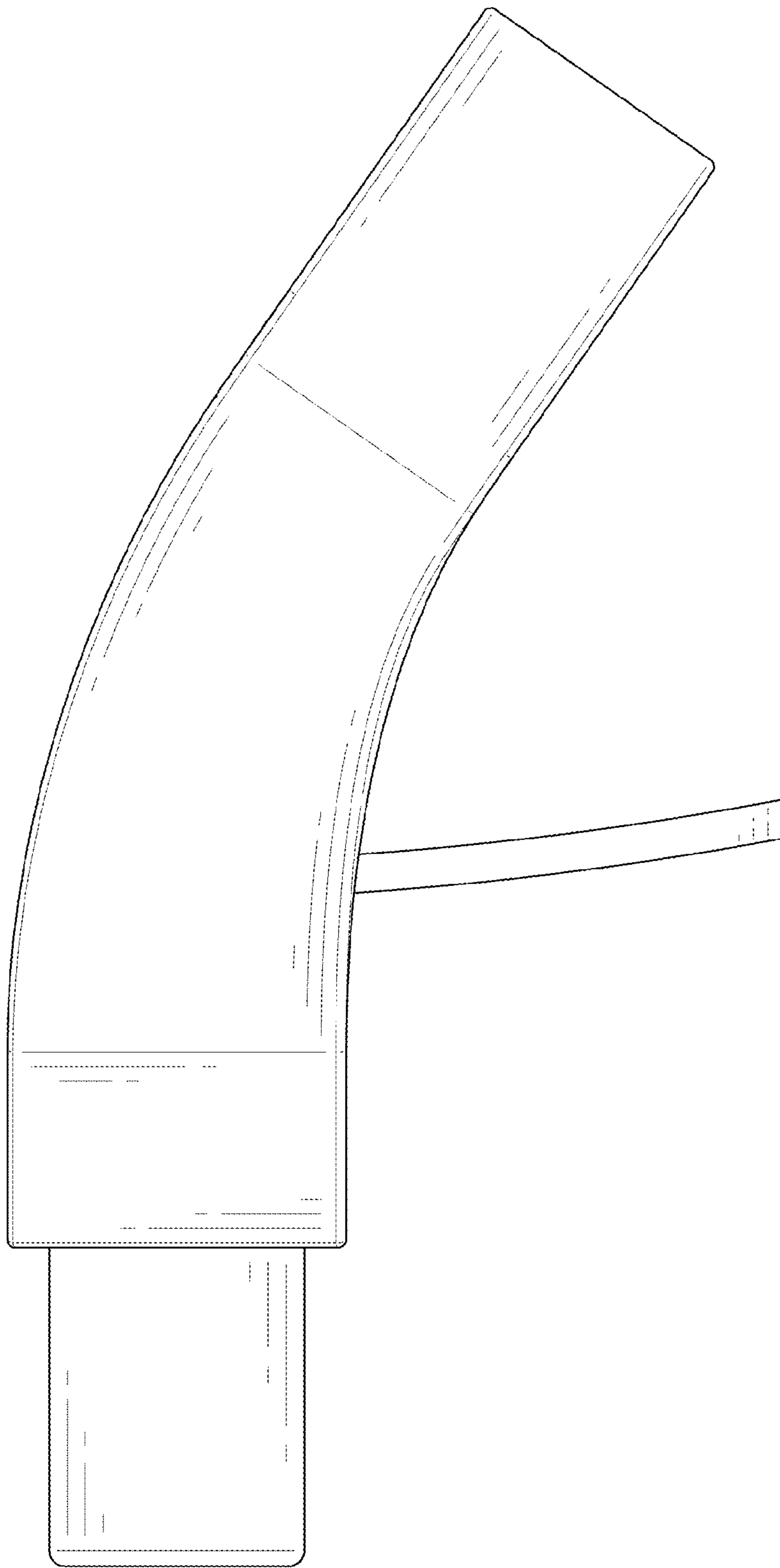


FIG. 5

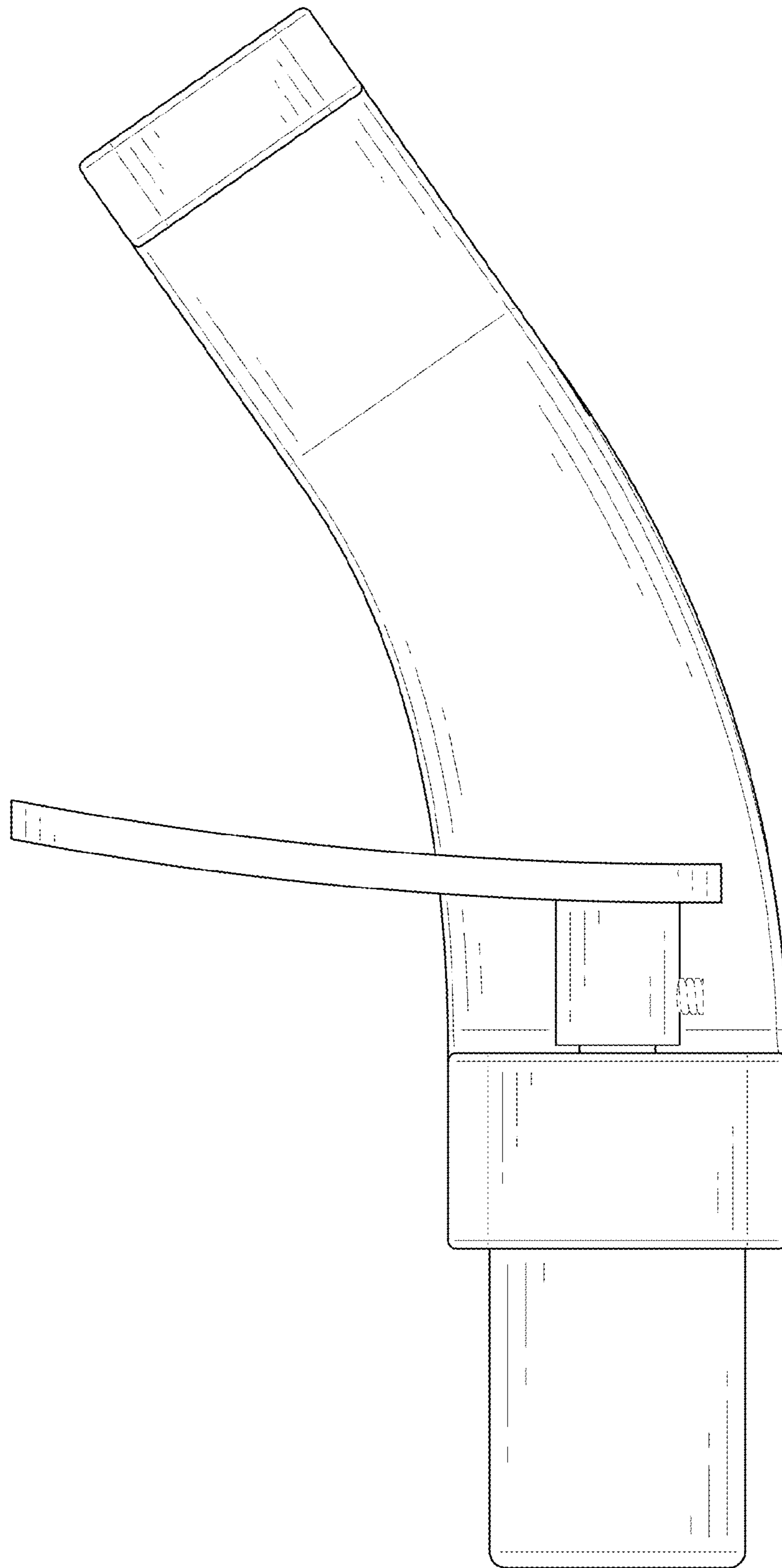


FIG. 6

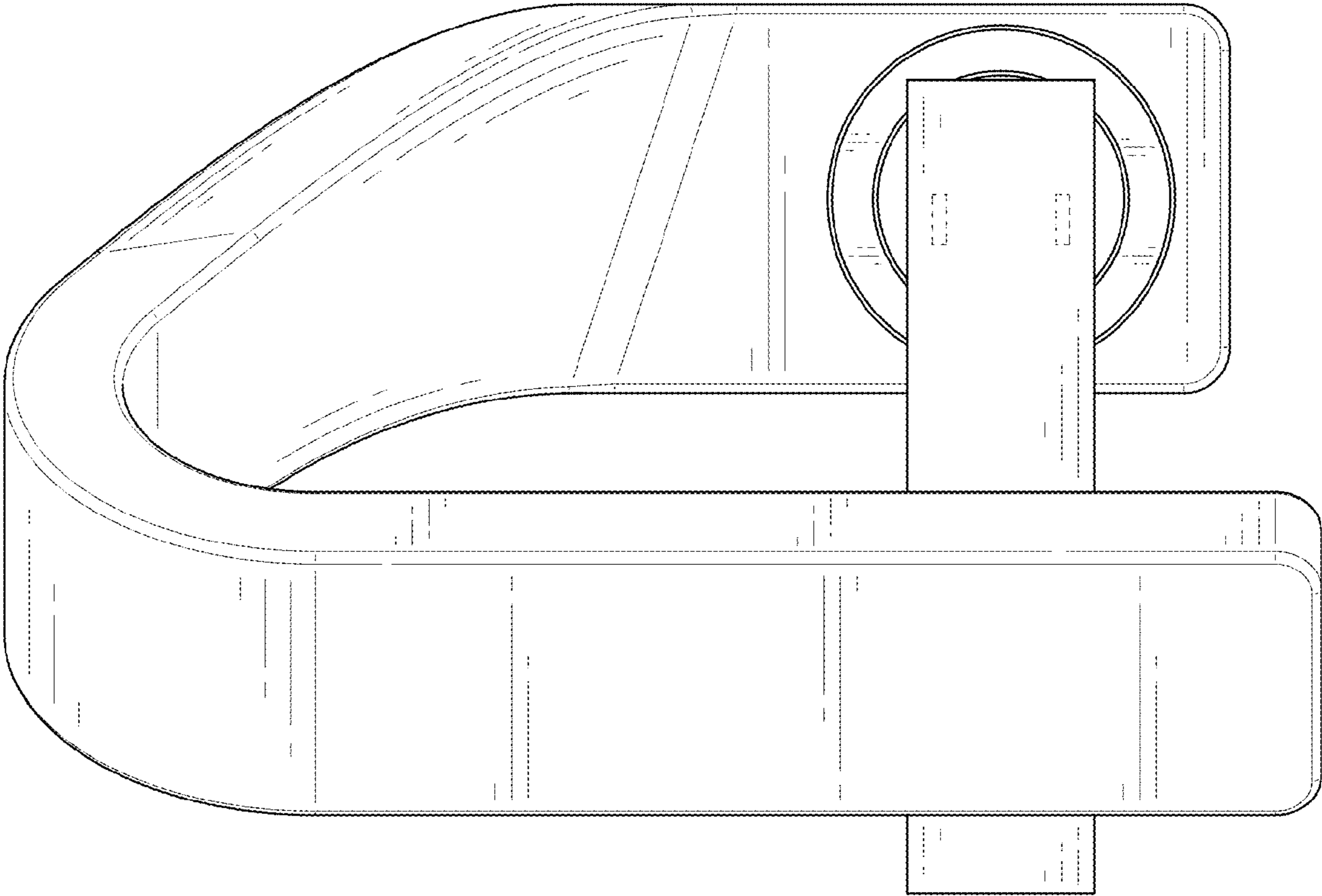


FIG. 7

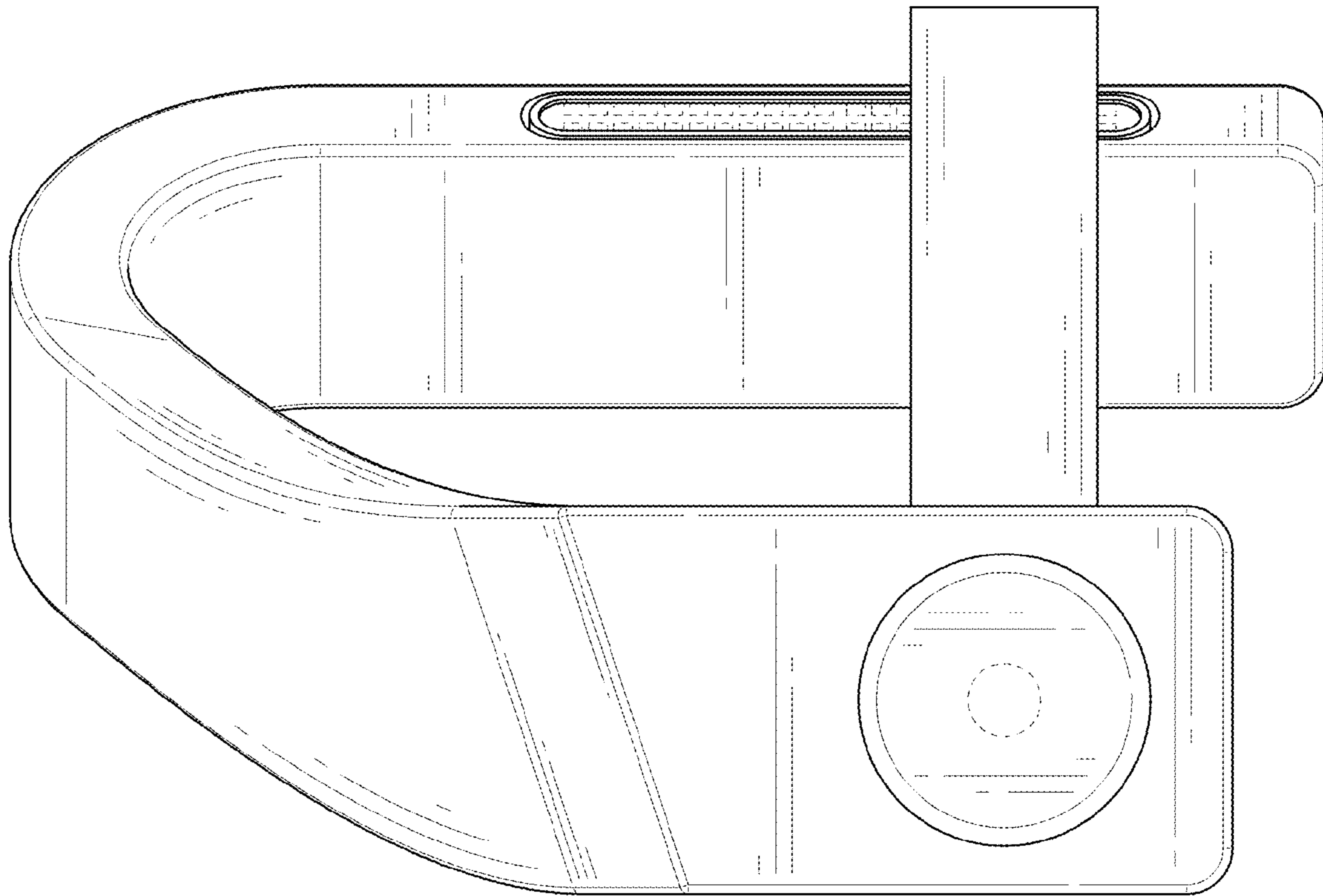


FIG. 8