

US00D895066S

(12) **United States Design Patent** (10) **Patent No.:** **US D895,066 S**  
**Johnson** (45) **Date of Patent:** **\*\* Sep. 1, 2020**

(54) **FAUCET**  
(71) Applicant: **Kohler Co.**, Kohler, WI (US)  
(72) Inventor: **Drew Johnson**, Sheboygan, WI (US)  
(73) Assignee: **KOHLER CO.**, Kohler, WI (US)  
(\*\*) Term: **15 Years**

D797,902 S 9/2017 Georgeson  
D812,195 S 3/2018 Clarke  
D812,196 S 3/2018 Clarke  
D820,399 S \* 6/2018 Garland ..... D23/238  
D848,578 S \* 5/2019 Garland ..... D23/255  
D855,158 S \* 7/2019 Eads ..... D23/238  
D857,166 S \* 8/2019 Spangler ..... D23/238  
D861,832 S \* 10/2019 Zeng ..... D23/238  
D867,526 S \* 11/2019 Garland ..... D23/213  
D867,527 S \* 11/2019 Eads ..... D23/213

\* cited by examiner

(21) Appl. No.: **29/674,097**  
(22) Filed: **Dec. 19, 2018**  
(51) **LOC (12) Cl.** ..... **23-01**  
(52) **U.S. Cl.**  
USPC ..... **D23/238**  
(58) **Field of Classification Search**  
USPC ..... D23/238, 241-243, 249-250, 252,  
D23/254-255, 257, 213, 226;  
D8/307-308  
CPC ..... Y10T 137/9464; Y10T 137/6014; Y10T  
137/6017  
See application file for complete search history.

*Primary Examiner* — Robert A Delehanty  
(74) *Attorney, Agent, or Firm* — Foley & Lardner LLP

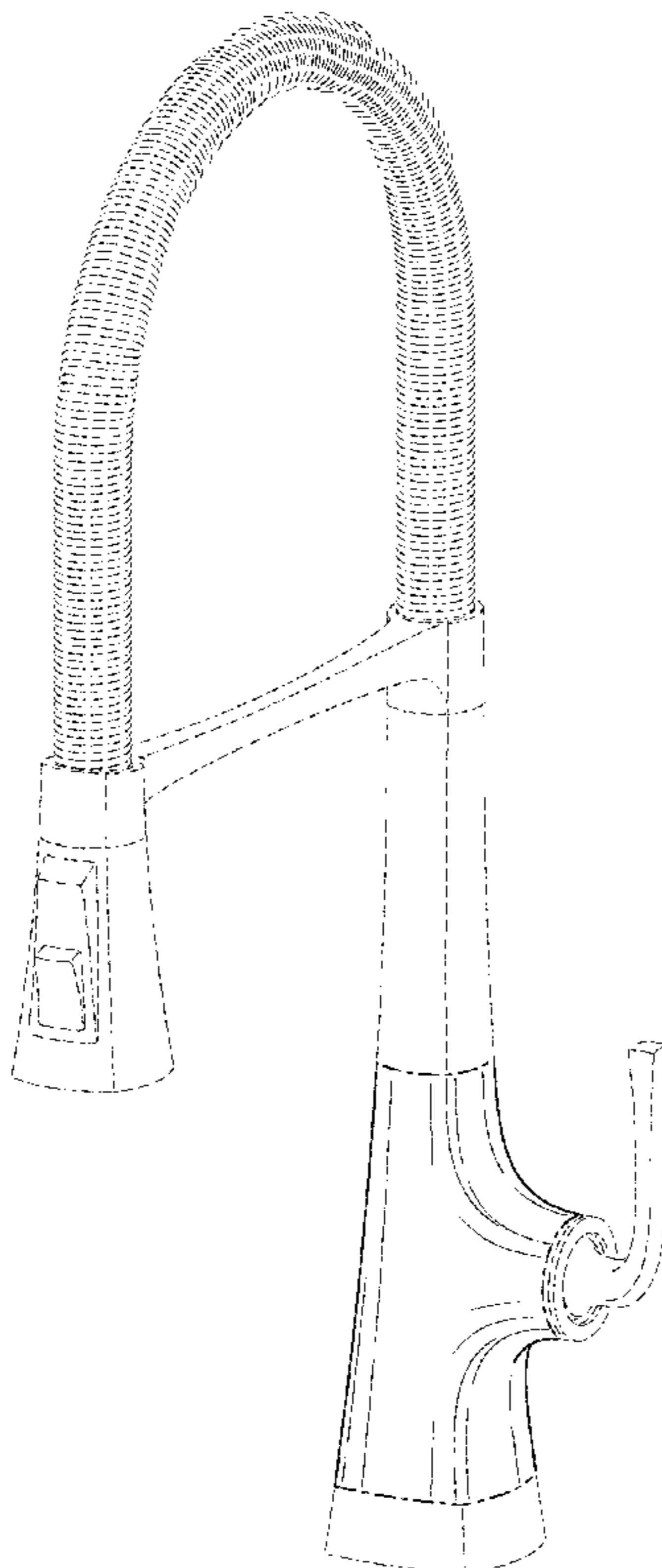
(57) **CLAIM**  
I claim the ornamental design for a faucet, as shown and described.

**DESCRIPTION**

FIG. 1 is a perspective view of an embodiment of the claimed design;  
FIG. 2 is a side view of the embodiment of FIG. 1;  
FIG. 3 is another side view of the embodiment of FIG. 1;  
FIG. 4 is a front view of the embodiment of FIG. 1;  
FIG. 5 is a rear view of the embodiment of FIG. 1;  
FIG. 6 is a top view of the embodiment of FIG. 1; and,  
FIG. 7 is a bottom view of the embodiment of FIG. 1.  
The ornamental design which is claimed is shown in solid lines in the drawings. The broken lines in the drawings are for illustrative purposes only and form no part of the claimed design. Broken lines formed of unequal length dashes (i.e., dash-dot) define bounds of the claimed design.

(56) **References Cited**  
U.S. PATENT DOCUMENTS  
D573,696 S 7/2008 Eilmus  
D577,421 S \* 9/2008 Williams ..... D23/238  
D585,112 S 1/2009 Kohler et al.  
D713,939 S 9/2014 Mazz et al.  
D721,791 S \* 1/2015 Bahler ..... D23/252  
D795,396 S 8/2017 Kaule et al.  
D795,397 S 8/2017 Clarke

**1 Claim, 5 Drawing Sheets**



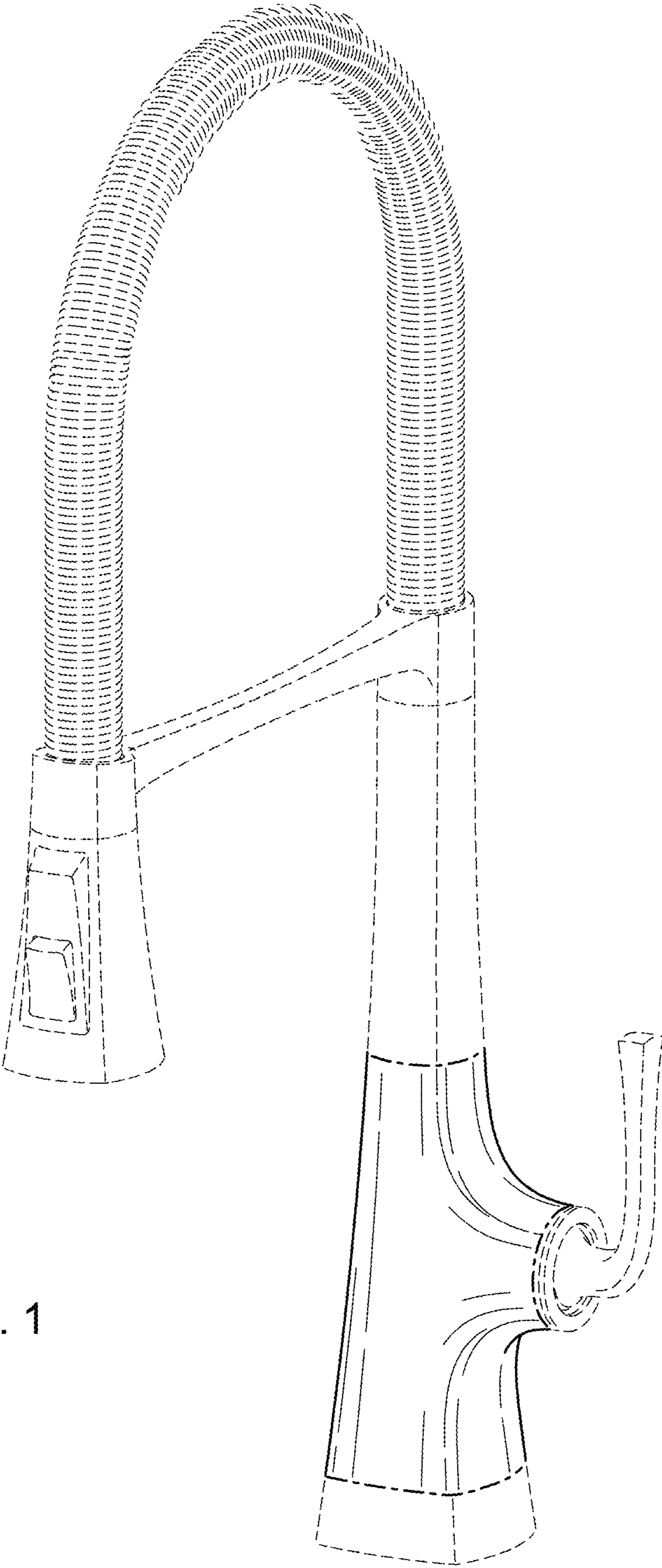


FIG. 1

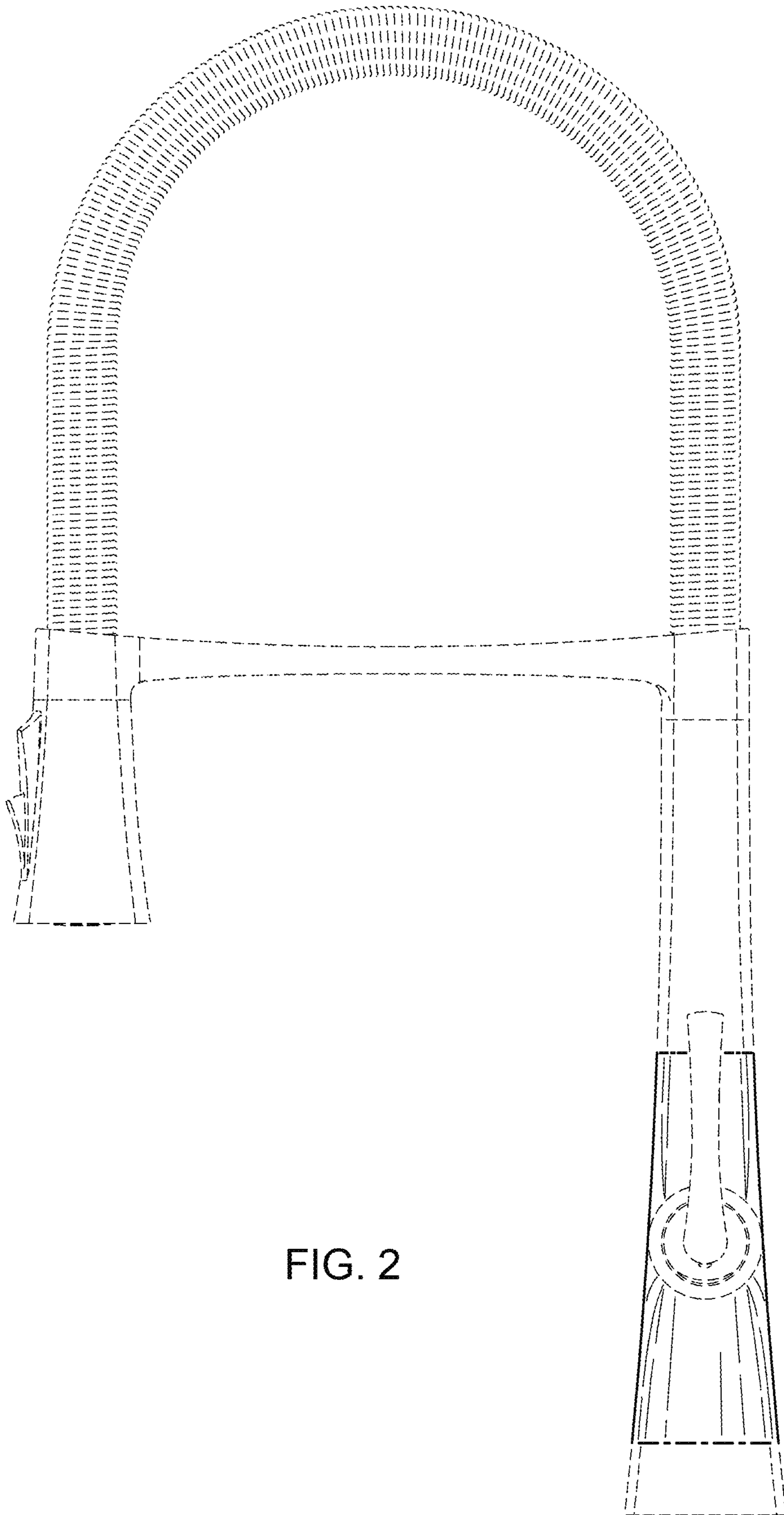


FIG. 2

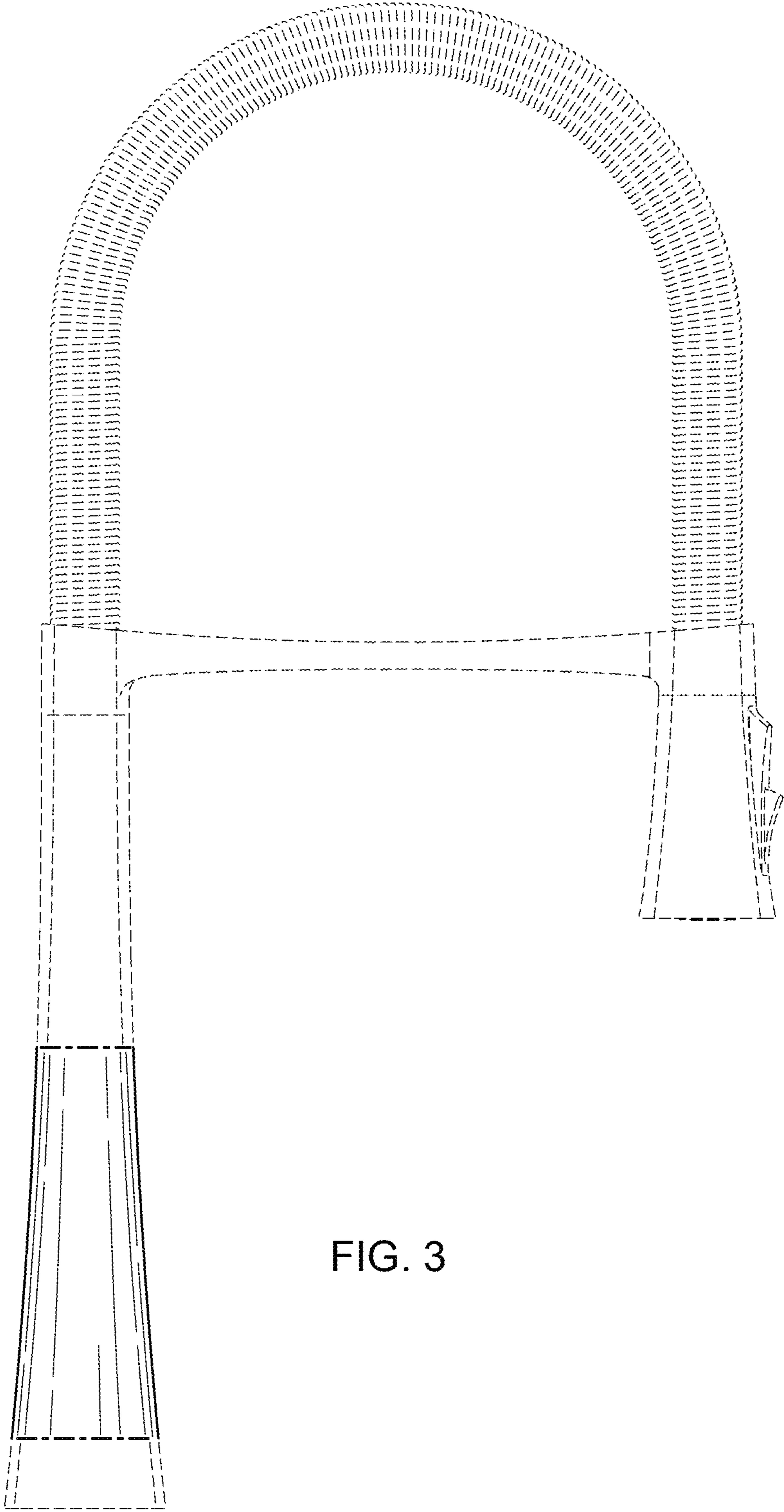


FIG. 3

FIG. 4

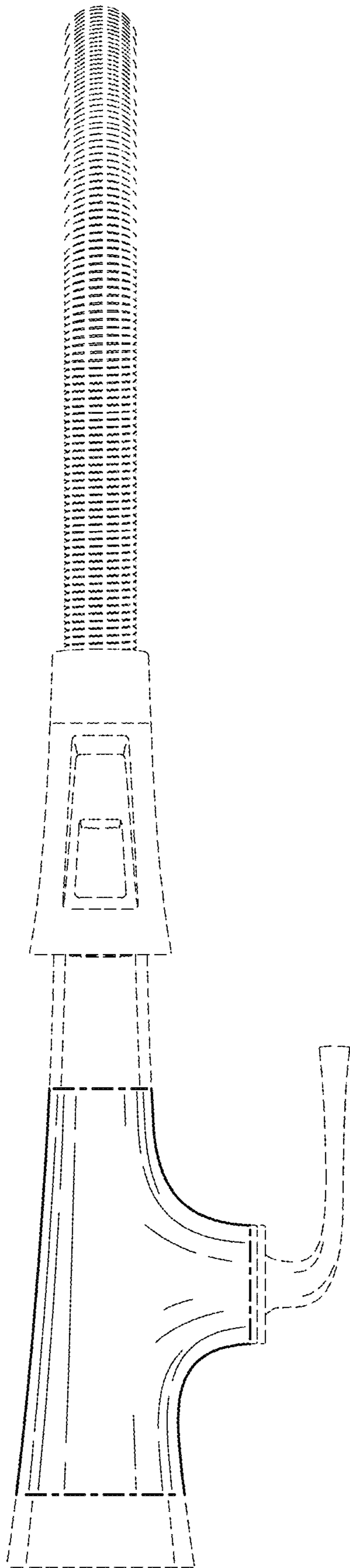
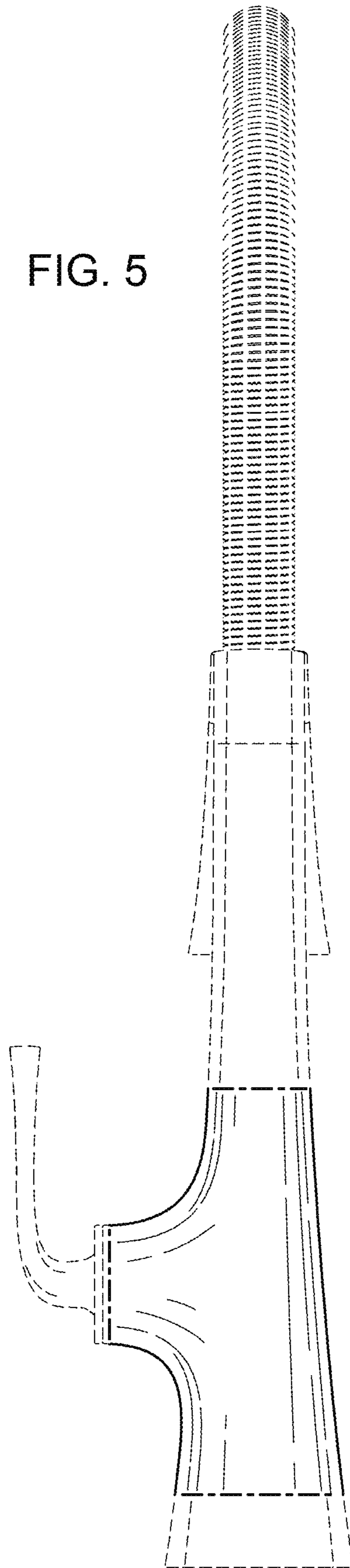


FIG. 5



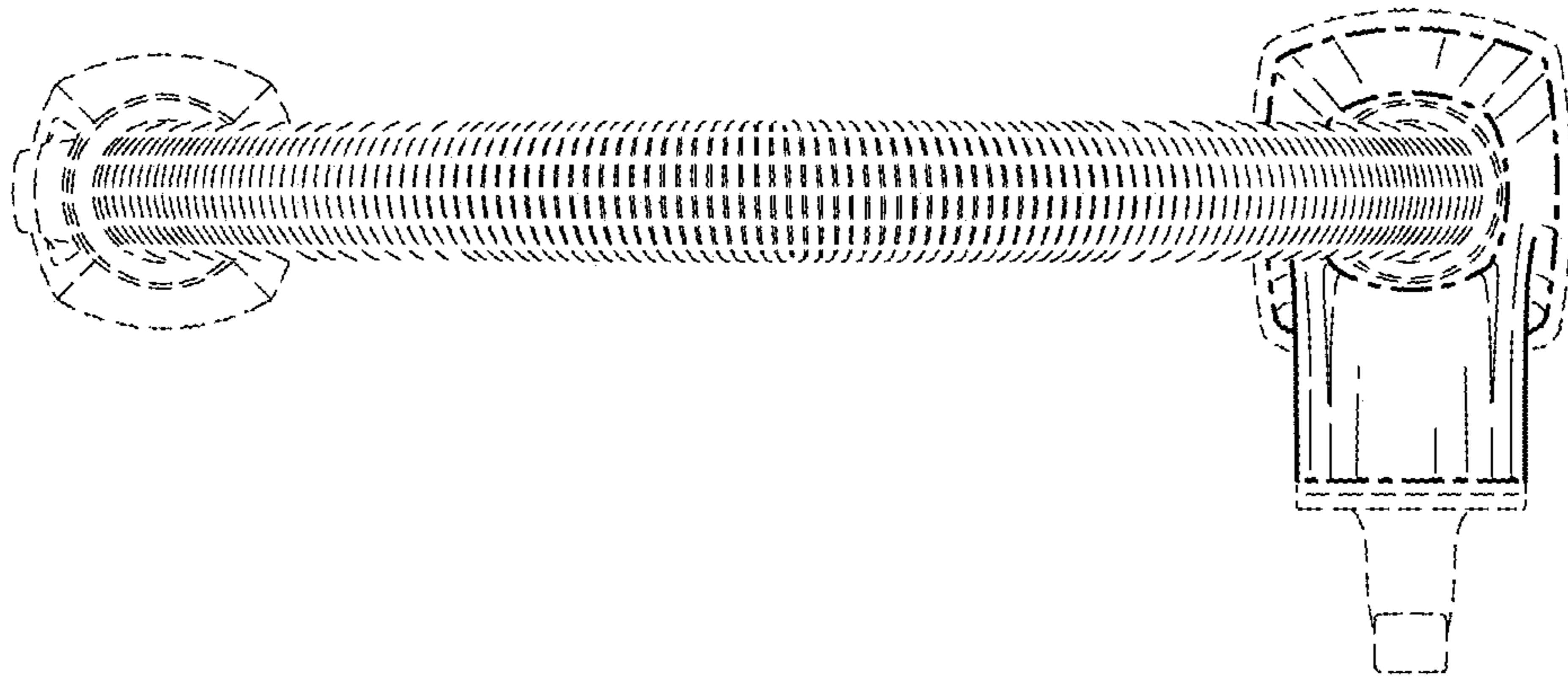


FIG. 6

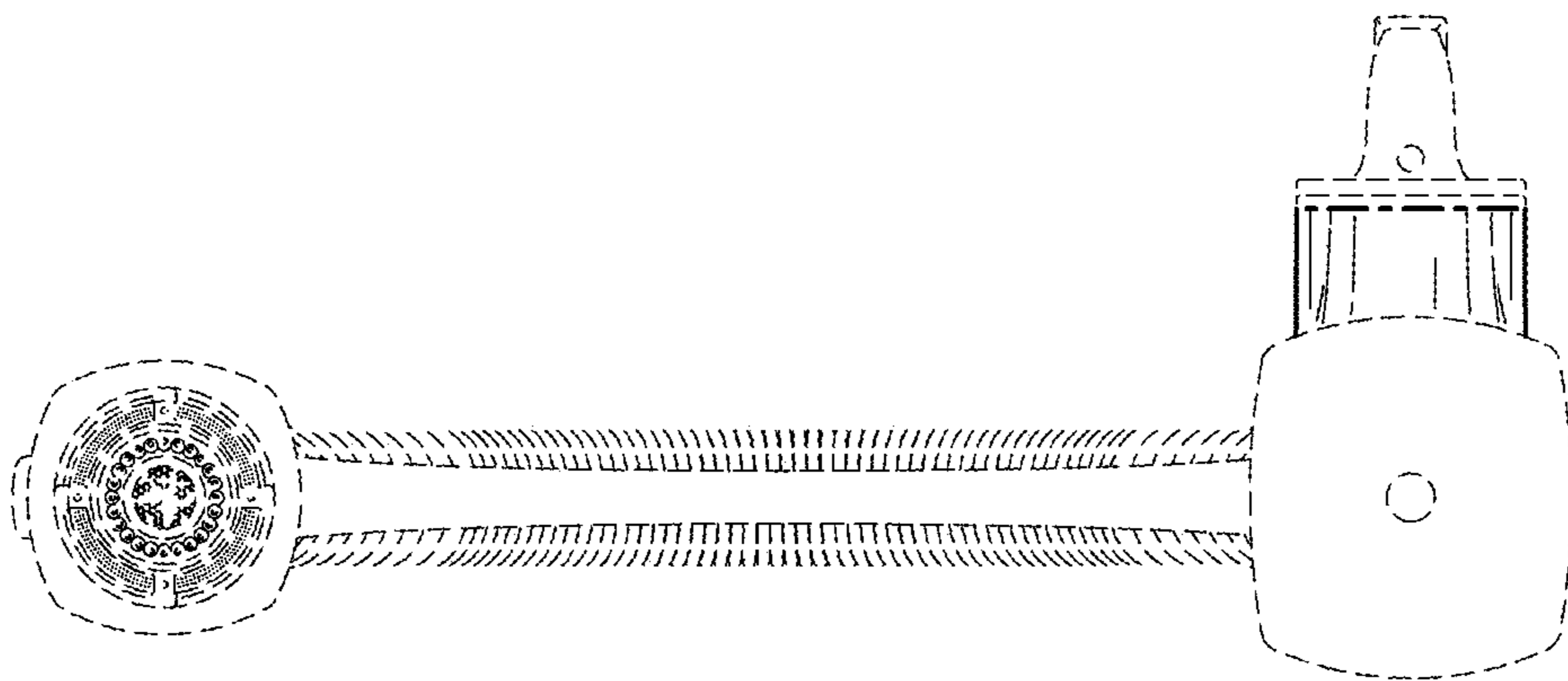


FIG. 7