



US00D895065S

(12) **United States Design Patent**  
**Lai et al.**

(10) **Patent No.:** **US D895,065 S**  
(45) **Date of Patent:** **\*\* Sep. 1, 2020**

(54) **FAUCET AERATOR**

(71) Applicant: **KYLIN Sanitary Technology**  
**(Xiamen) Co., Ltd., Xiamen (CN)**

(72) Inventors: **Cungui Lai, Xiamen (CN); Hui**  
**Huang, Xiamen (CN); Qingshuang Li,**  
**Xiamen (CN)**

(73) Assignee: **KYLIN Sanitary Technology**  
**(Xiamen) Co., Ltd., Xiamen (CN)**

(\*\*) Term: **15 Years**

(21) Appl. No.: **29/706,911**

(22) Filed: **Sep. 25, 2019**

(30) **Foreign Application Priority Data**

Sep. 2, 2019 (CN) ..... 2019 3 0480622

(51) **LOC (12) Cl.** ..... **23-01**

(52) **U.S. Cl.**  
USPC ..... **D23/213**

(58) **Field of Classification Search**  
USPC ..... D23/207, 213, 214, 215, 223, 224, 226,  
D23/229, 230  
CPC ..... A61H 9/0021; A61H 33/00; B05B 1/00;  
B05B 1/14; B05B 1/185; B05B 1/08;  
B05B 1/02; B05B 1/26; B05B 12/002;  
B05B 1/18; B05B 9/01

See application file for complete search history.

(56) **References Cited**

U.S. PATENT DOCUMENTS

D487,135 S \* 2/2004 Lord ..... D23/245  
D519,190 S \* 4/2006 Lord ..... D23/238  
D522,614 S \* 6/2006 Ko ..... D23/213  
D535,357 S \* 1/2007 Zhou ..... D23/238  
D550,326 S \* 9/2007 Huang ..... D23/213  
D580,023 S \* 11/2008 Gilbert ..... D23/255  
D583,015 S \* 12/2008 Soriano ..... D23/249

D713,508 S \* 9/2014 Downey ..... D23/238  
D719,242 S \* 12/2014 Kim ..... D23/255  
D754,301 S \* 4/2016 Bahler ..... D23/255  
D758,552 S \* 6/2016 Rexach ..... D23/255  
D797,257 S \* 9/2017 Potter ..... D23/255  
D802,091 S \* 11/2017 Bahler ..... D23/213  
D805,611 S \* 12/2017 Rexach ..... D23/257  
D842,429 S \* 3/2019 Huang ..... D23/213  
D842,430 S \* 3/2019 Huang ..... D23/213  
D847,951 S \* 5/2019 Zhang ..... D23/238  
D866,707 S \* 11/2019 Eads ..... D23/213  
D866,708 S \* 11/2019 Bahler ..... D23/213  
D867,522 S \* 11/2019 Tentler ..... D23/213  
D867,523 S \* 11/2019 Tentler ..... D23/213  
D867,524 S \* 11/2019 Tentler ..... D23/213  
D867,525 S \* 11/2019 Eads ..... D23/213  
D867,527 S \* 11/2019 Eads ..... D23/213

(Continued)

**OTHER PUBLICATIONS**

[https://www.amazon.com/Niagara-Conservation-N3610CH-Water-Saving-Standard/dp/B0096C2IVC/ref=sr\\_1\\_37?dchild=1&keywords=faucet+aerator&qid=1594404181&sr=8-37](https://www.amazon.com/Niagara-Conservation-N3610CH-Water-Saving-Standard/dp/B0096C2IVC/ref=sr_1_37?dchild=1&keywords=faucet+aerator&qid=1594404181&sr=8-37) (Year: 2012).\*

*Primary Examiner* — Manpreet S Matharu  
*Assistant Examiner* — Keith J Wilson

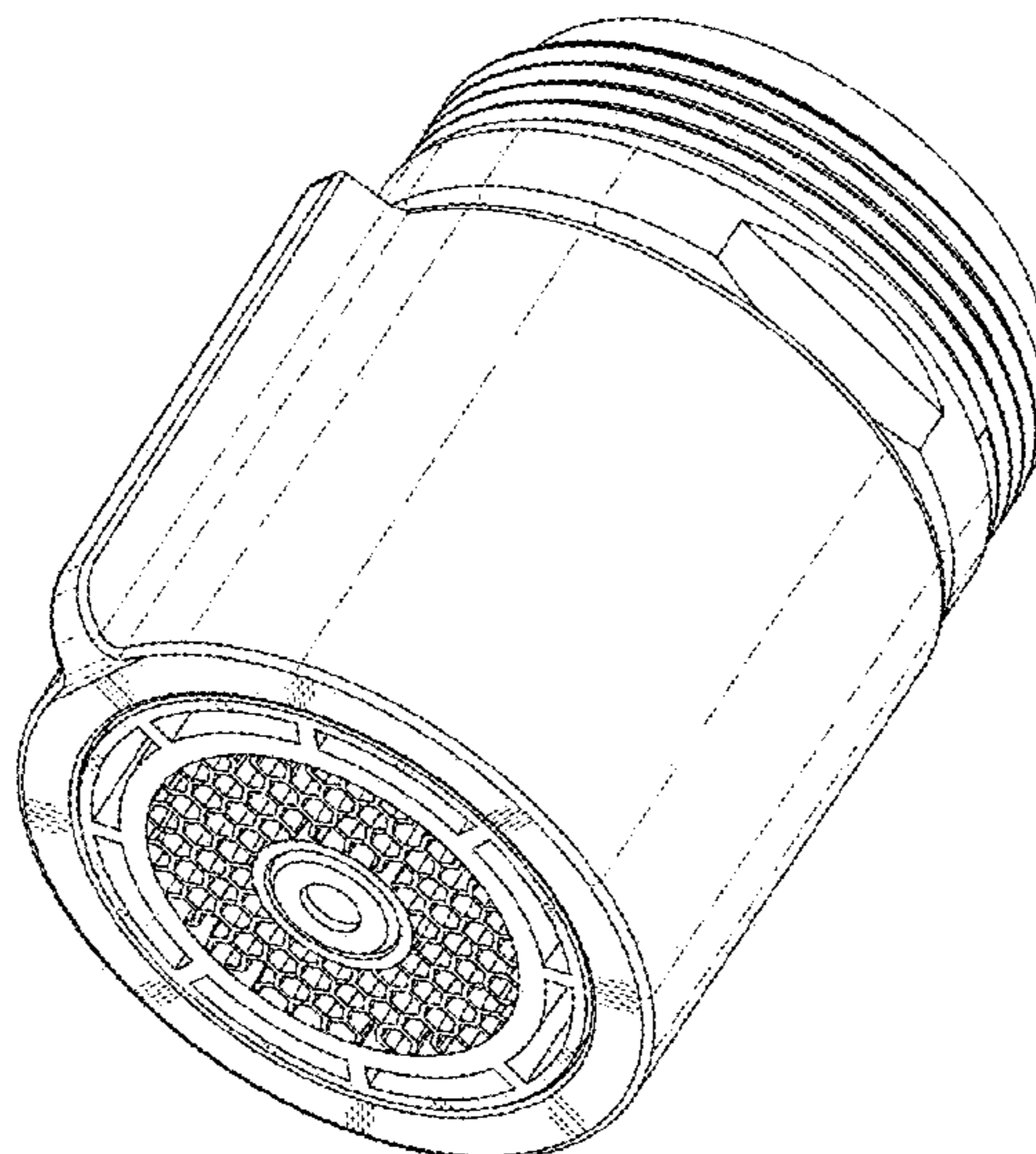
(57) **CLAIM**

The ornamental design for a faucet aerator, as shown and described.

**DESCRIPTION**

FIG. 1 is a bottom front perspective view of a faucet aerator showing the claimed design;  
FIG. 2 is a top front perspective view thereof;  
FIG. 3 is a front elevational view thereof;  
FIG. 4 is a rear elevational view thereof;  
FIG. 5 is a left side elevational view thereof;  
FIG. 6 is a right side elevational view thereof;  
FIG. 7 is a top plan view thereof; and,  
FIG. 8 is a bottom plan view thereof.

**1 Claim, 8 Drawing Sheets**



(56)

**References Cited**

U.S. PATENT DOCUMENTS

D870,234 S \* 12/2019 Judge ..... D23/213  
D870,845 S \* 12/2019 Eads ..... D23/213  
D874,613 S \* 2/2020 Park ..... D23/238  
2007/0252022 A1 \* 11/2007 Benstead ..... B05B 1/1618  
239/590.5  
2016/0136659 A1 \* 5/2016 Erickson ..... B05B 1/1618  
239/443

\* cited by examiner

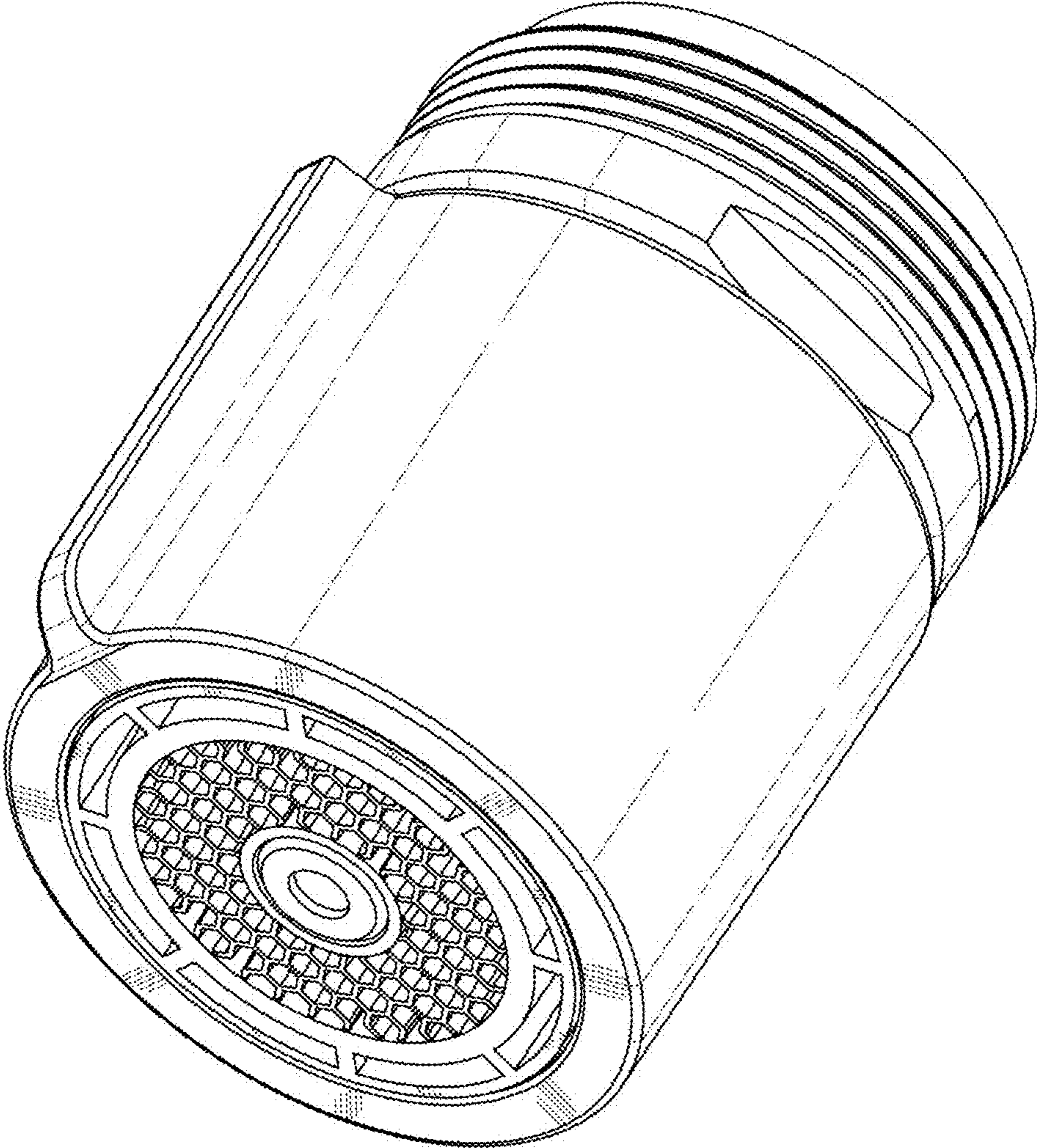


Fig. 1

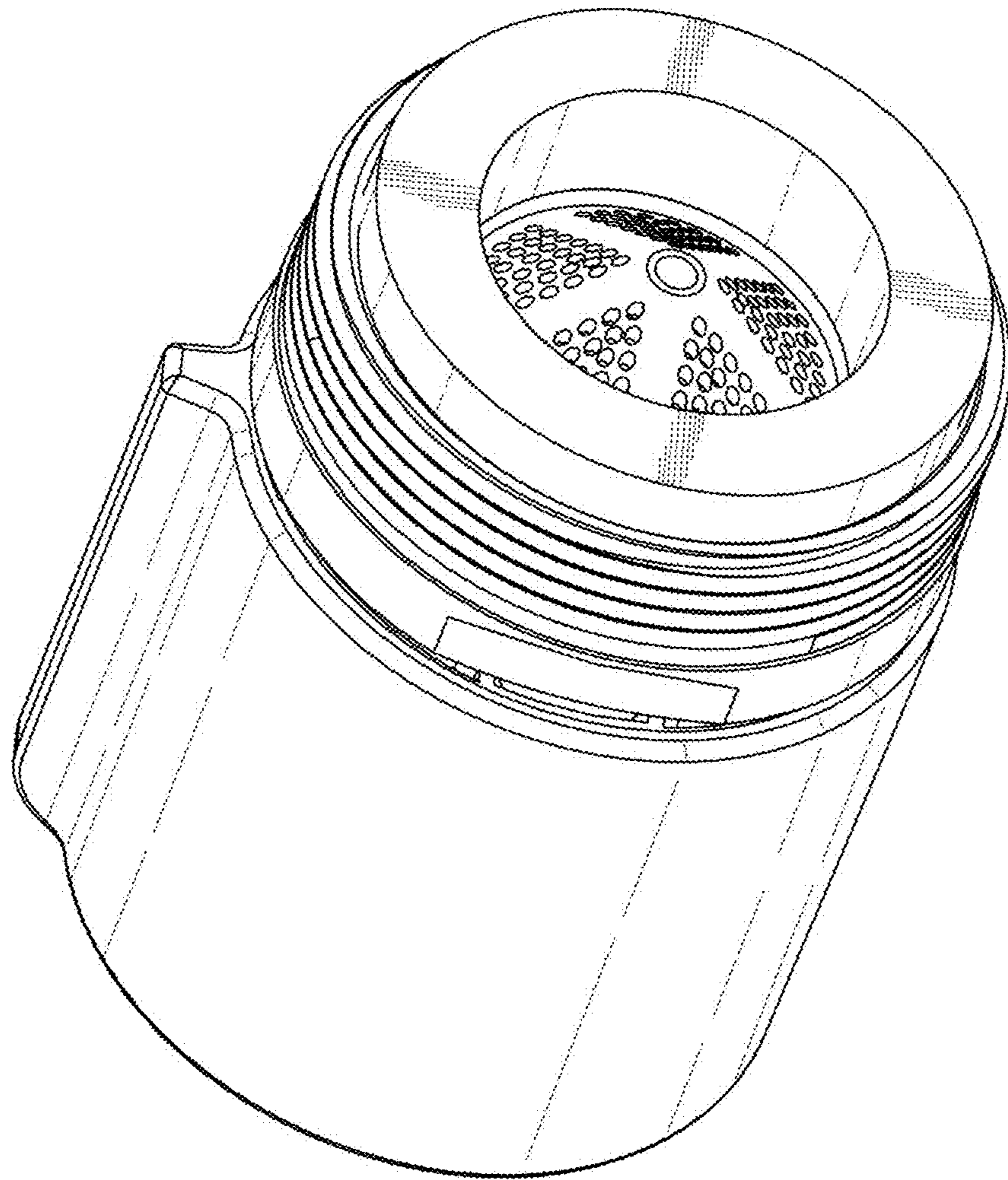


Fig. 2

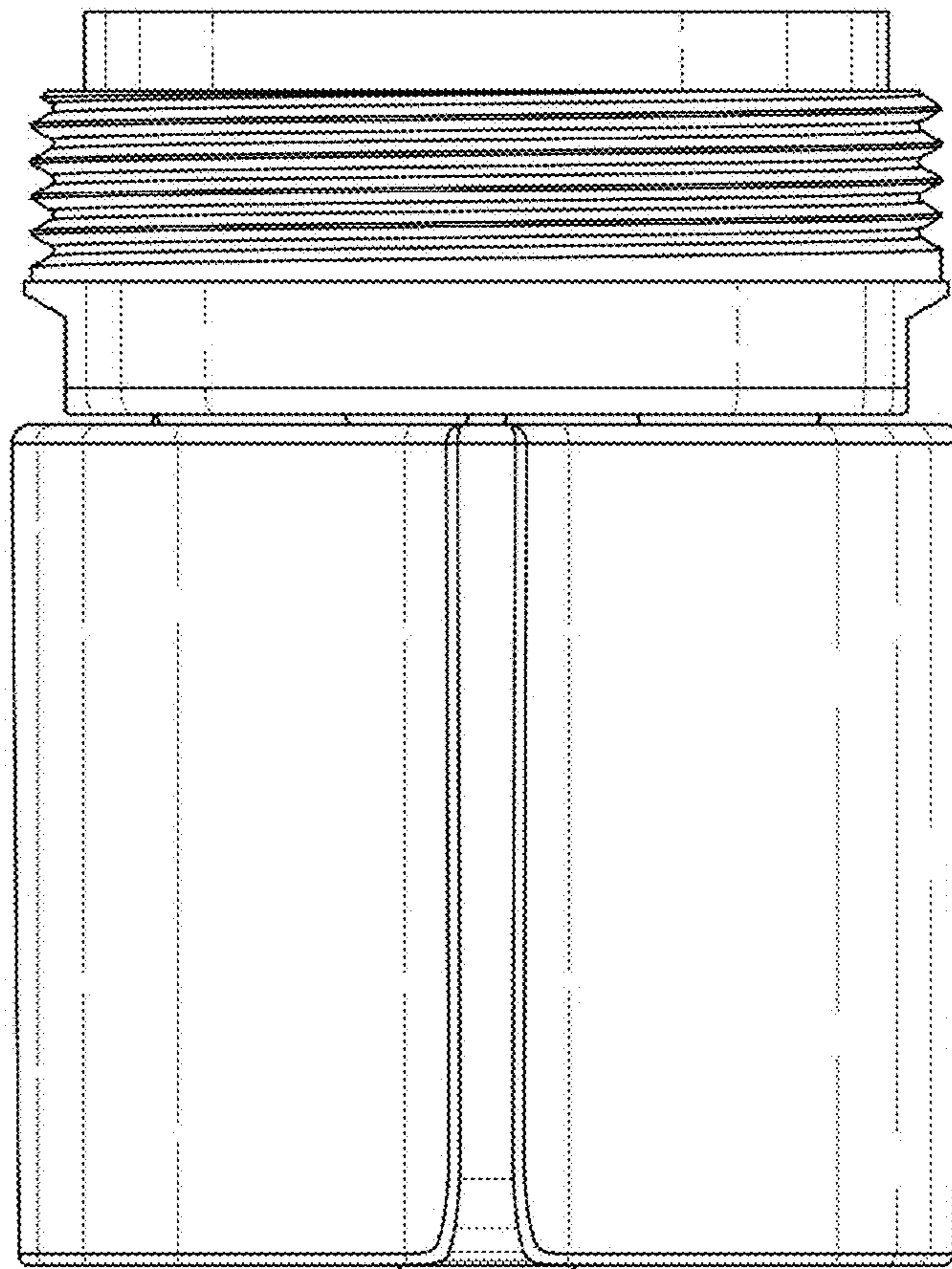


Fig. 3

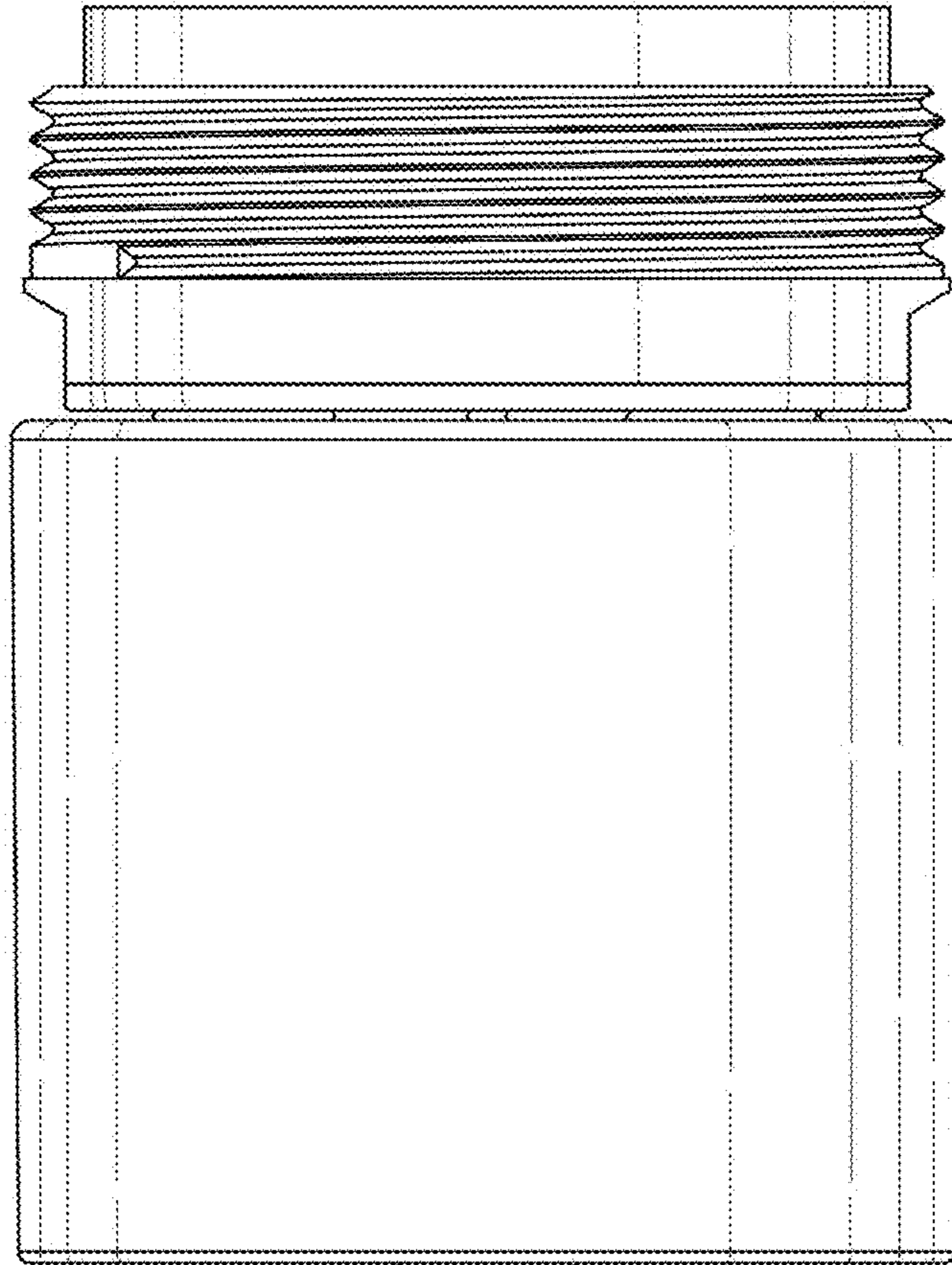


Fig. 4

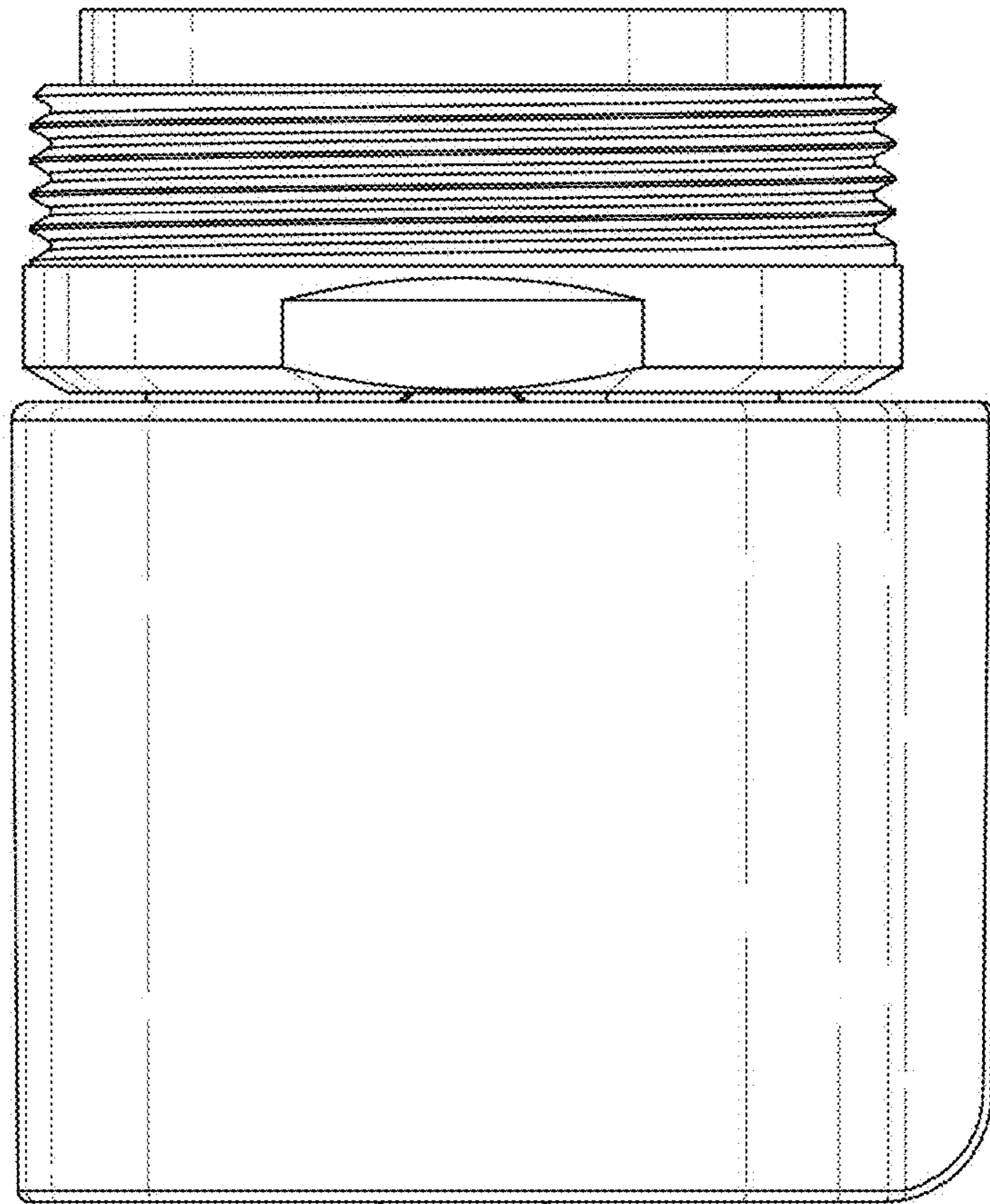


Fig. 5

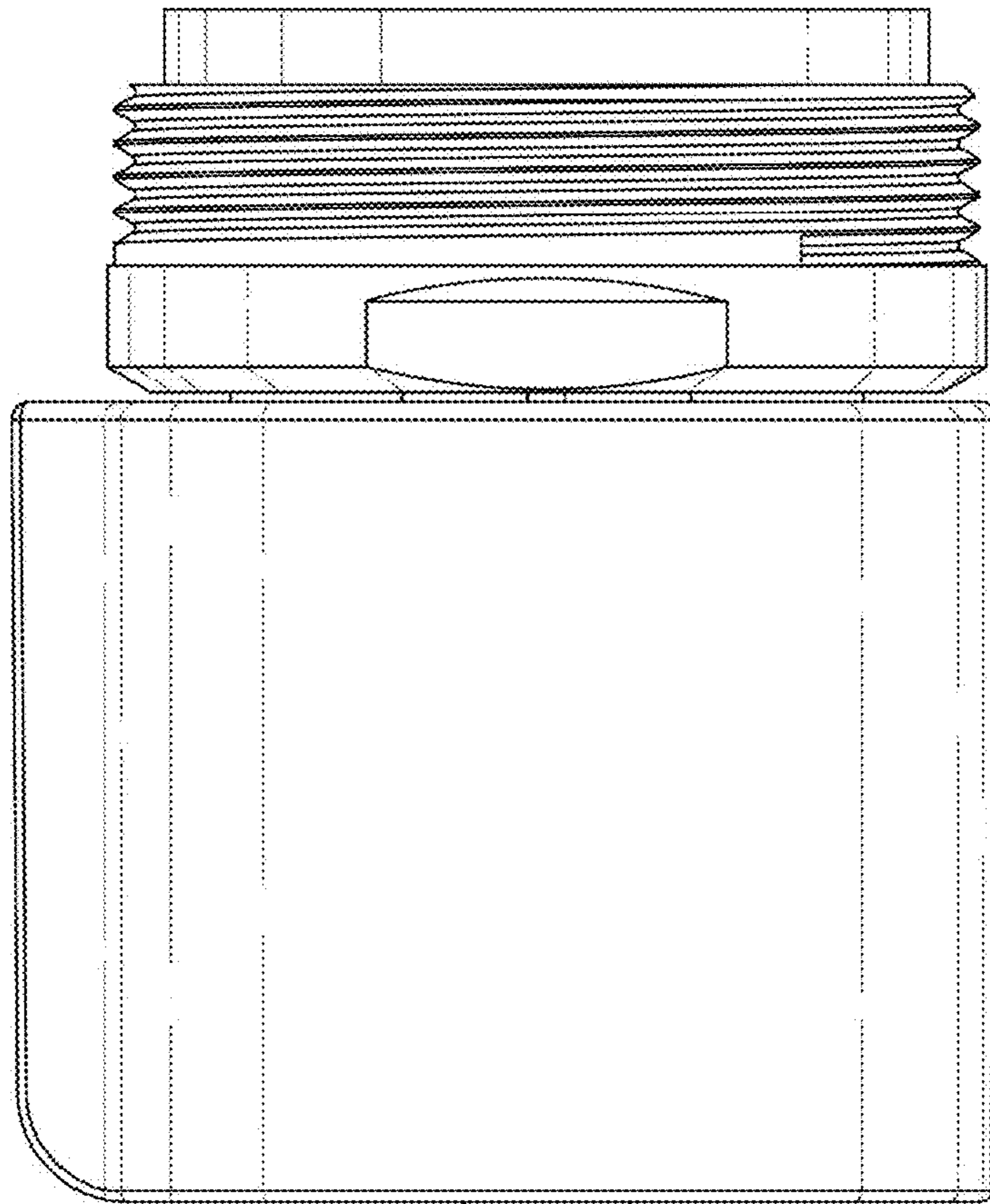


Fig. 6



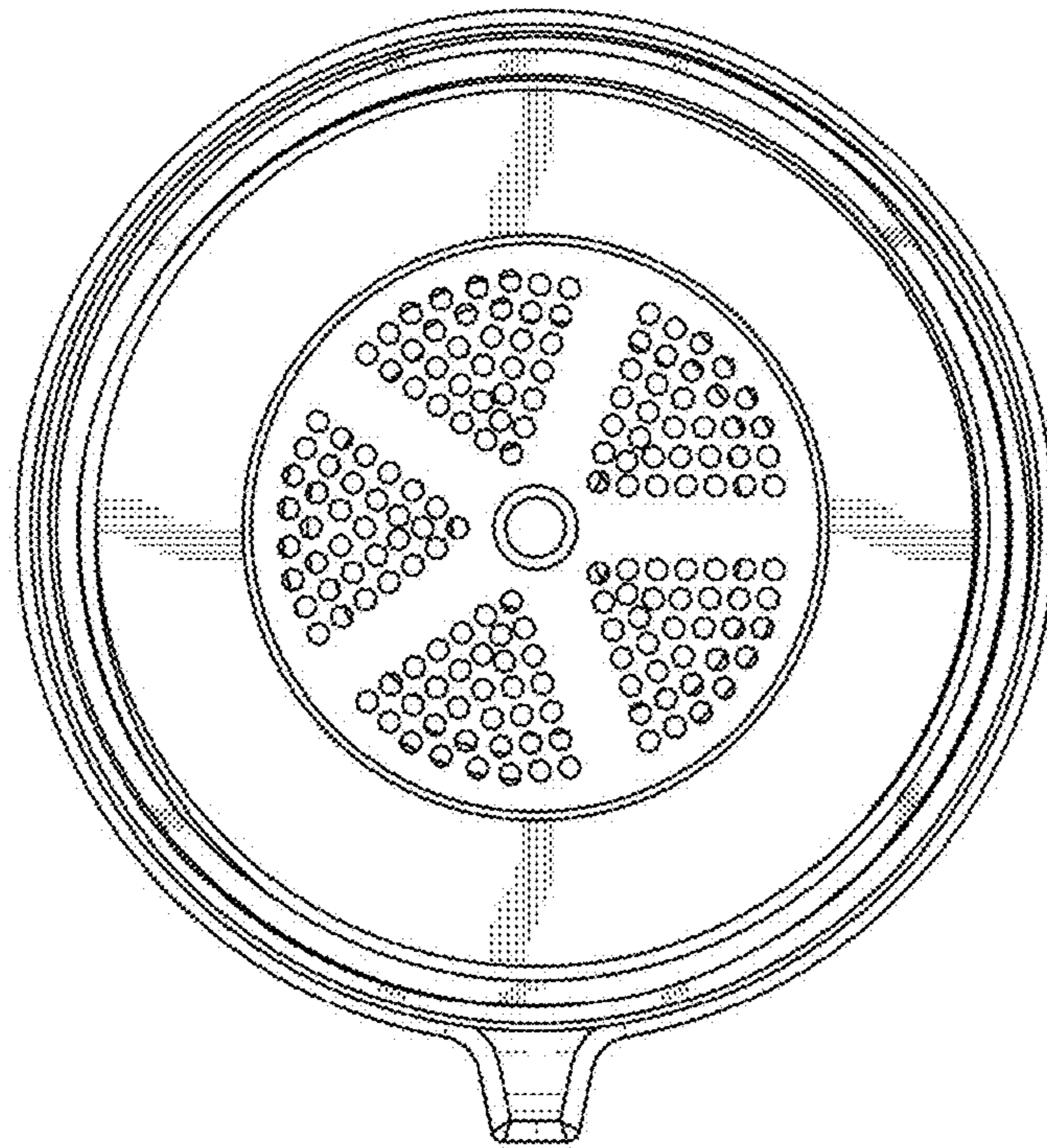


Fig. 7

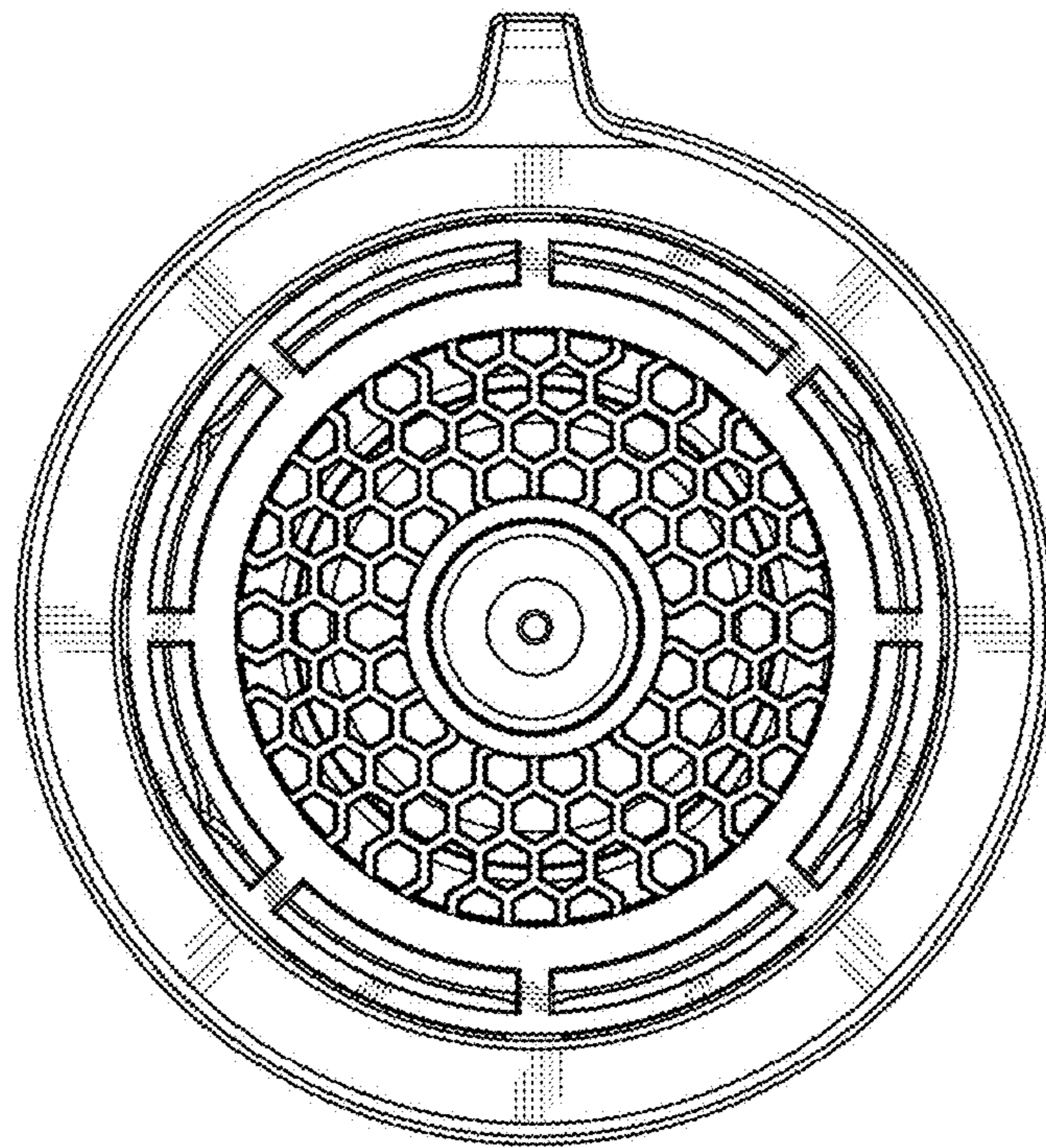


Fig. 8