



US00D895064S

(12) **United States Design Patent**
Chen

(10) **Patent No.:** **US D895,064 S**

(45) **Date of Patent:** **** Sep. 1, 2020**

(54) **DIFFUSER**

(71) Applicant: **Shenzhen Jike Digital Technology Co., Ltd., Shenzhen (CN)**

(72) Inventor: **Zhuangxiaoyi Chen, Shenzhen (CN)**

(**) Term: **15 Years**

(21) Appl. No.: **29/683,708**

(22) Filed: **Mar. 15, 2019**

(51) **LOC (12) Cl.** **23-01**

(52) **U.S. Cl.**
USPC **D23/213**

(58) **Field of Classification Search**
USPC D23/201, 208, 355–369, 386; D13/158,
D13/173
CPC A61L 9/02; A61L 9/03; A61L 9/12; A61L
9/035; A61L 9/125; B01F 3/04262; B01F
2003/04304; B01F 2003/04276
See application file for complete search history.

(56) **References Cited**

U.S. PATENT DOCUMENTS

3,235,325	A *	2/1966	Storchheim	A61L 9/20 96/224
D235,547	S *	6/1975	Schimanski	D23/364
D438,297	S *	2/2001	Audebourg	D23/366
D475,023	S *	5/2003	Maushard	D13/158
D531,294	S *	10/2006	Kazakevicius	D23/366
D646,371	S *	10/2011	Kuo	A61L 9/20 D23/366
D695,615	S *	12/2013	Rapparini	D9/428

9,539,550	B1 *	1/2017	Frankel	B01F 3/04262
D810,263	S *	2/2018	Lu	B01F 3/04262 D23/366
D813,366	S *	3/2018	Tang	D23/366
2016/0184780	A1 *	6/2016	Frankel	B01F 3/04241 261/122.1

* cited by examiner

Primary Examiner — Sheryl Lane

Assistant Examiner — Calvin E Vansant

(74) *Attorney, Agent, or Firm* — ZANIP

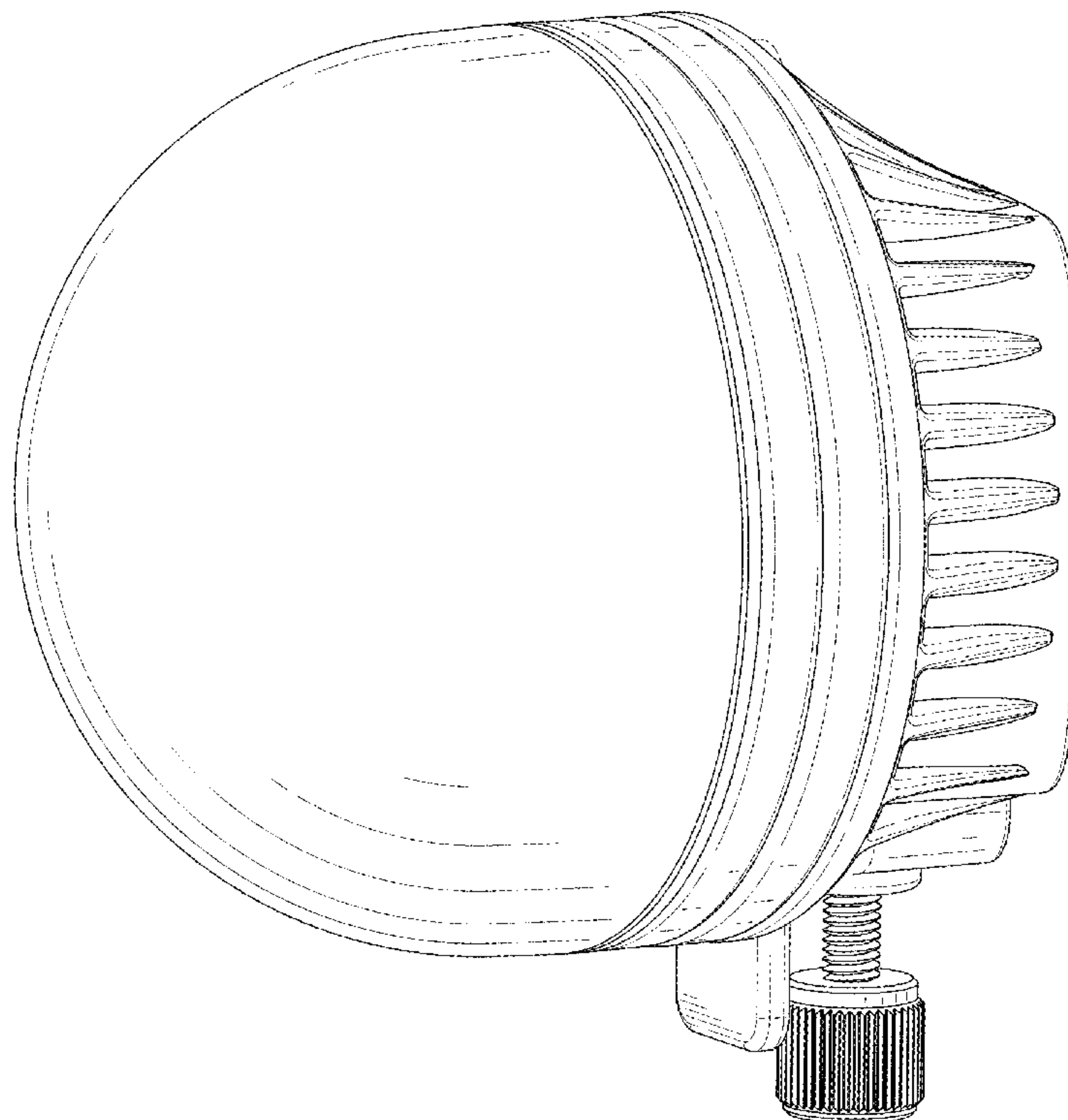
(57) **CLAIM**

The ornamental design for a diffuser, as shown and described.

DESCRIPTION

FIG. 1 is a first perspective view of a diffuser showing my design;
FIG. 2 is a second perspective view thereof;
FIG. 3 is a front view thereof;
FIG. 4 is a back view thereof;
FIG. 5 is a left side view thereof;
FIG. 6 is a right side view thereof;
FIG. 7 is a top view thereof;
FIG. 8 is a bottom view thereof; and,
FIG. 9 is an enlarged view of the selected portion of FIG. 2. In the drawings, the dashed broken lines depict portions of the diffuser that form no part of the claim. The dot-dash broken lines in FIGS. 2 and 9 represent the boundary of the enlarged area of the claimed design and form no part of the claim.

1 Claim, 9 Drawing Sheets



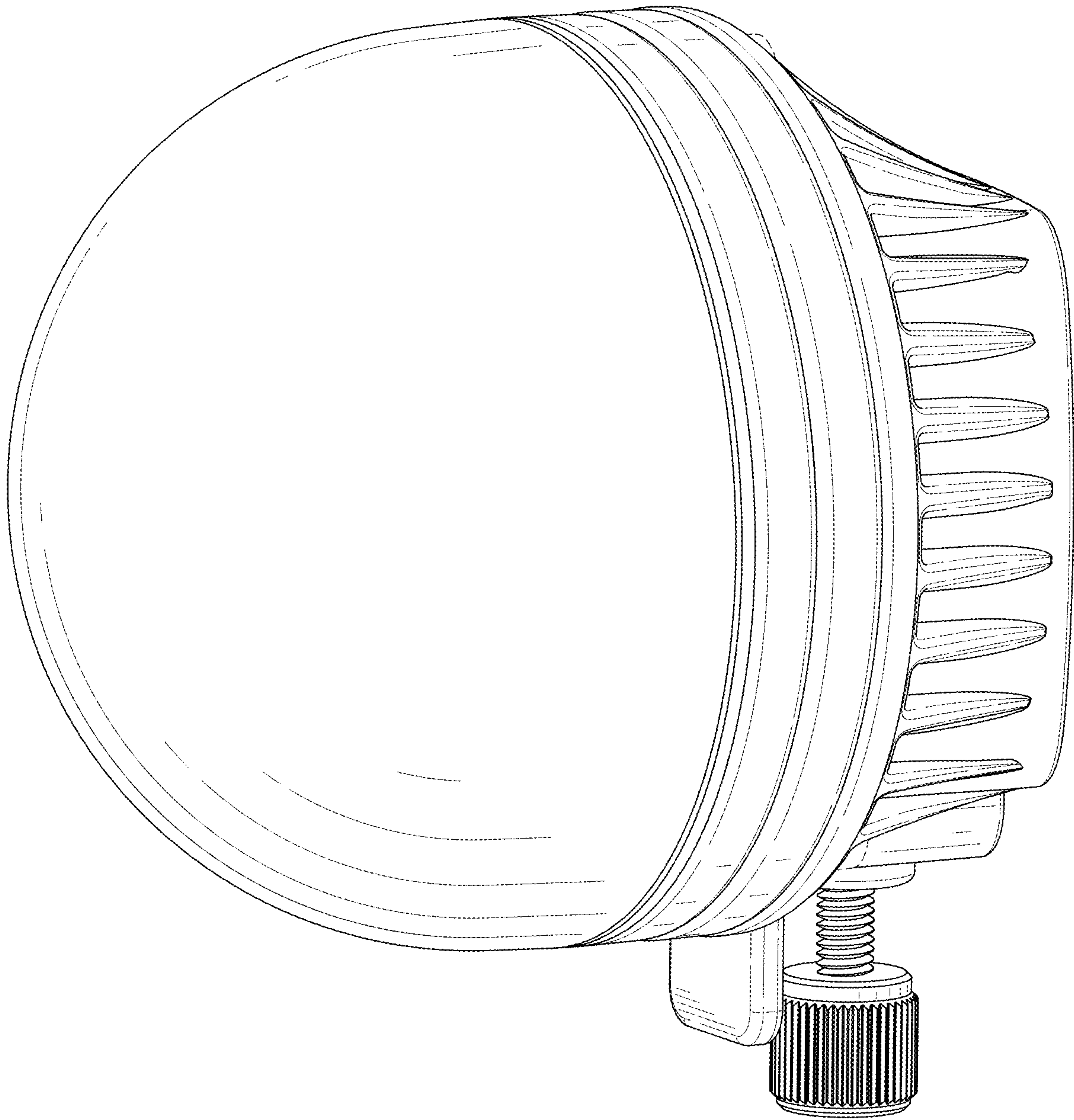


FIG. 1

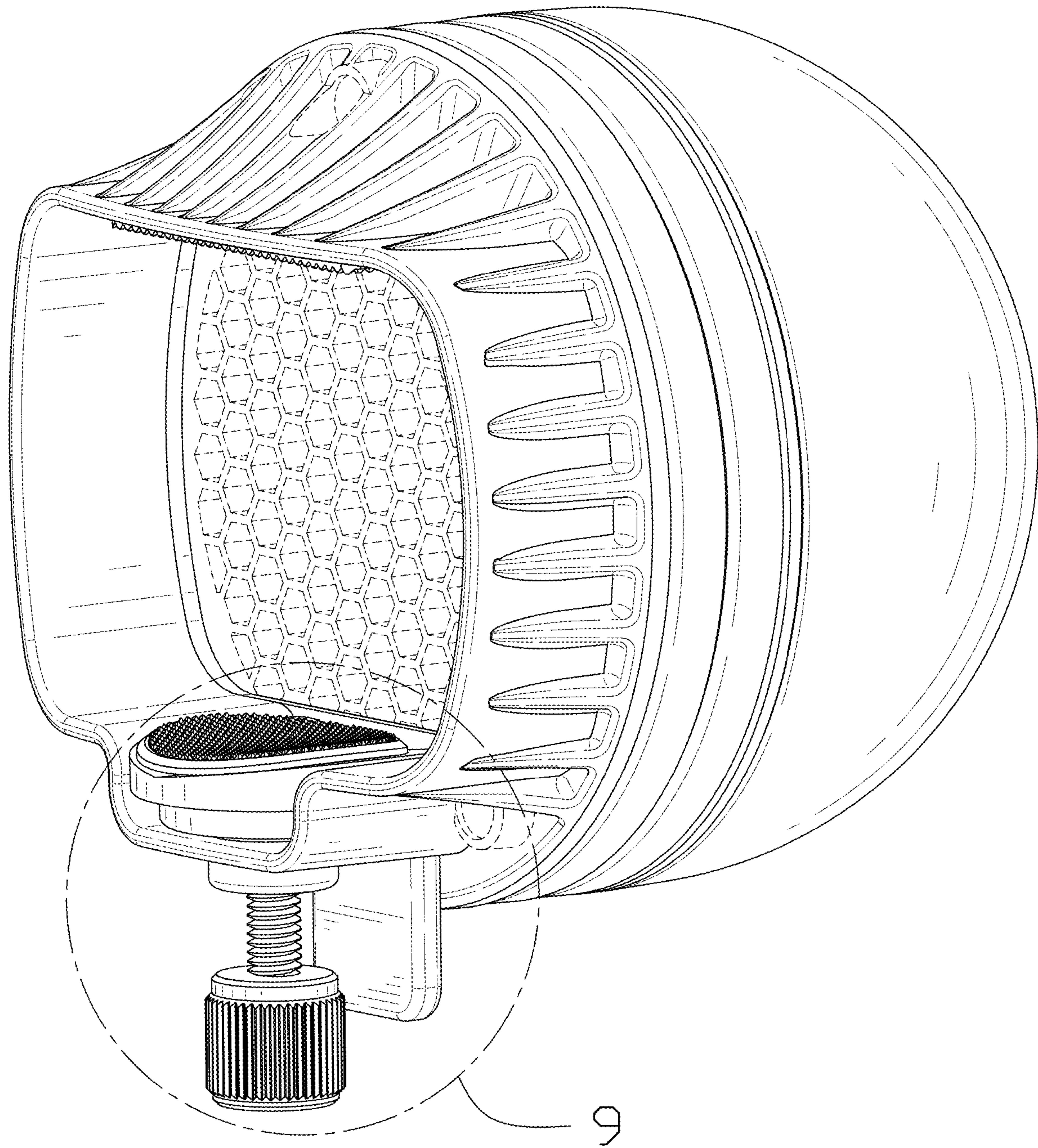


FIG. 2

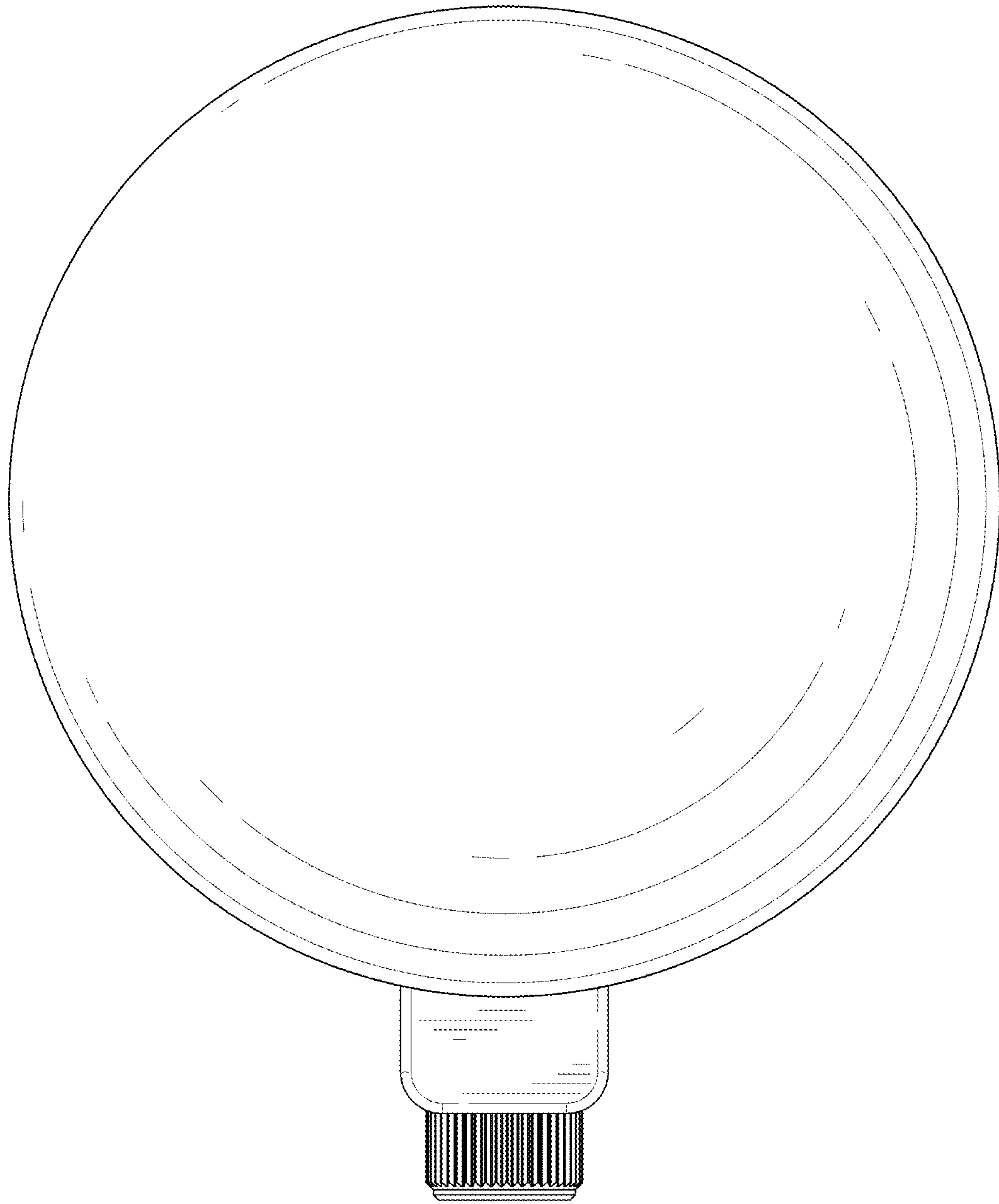


FIG. 3

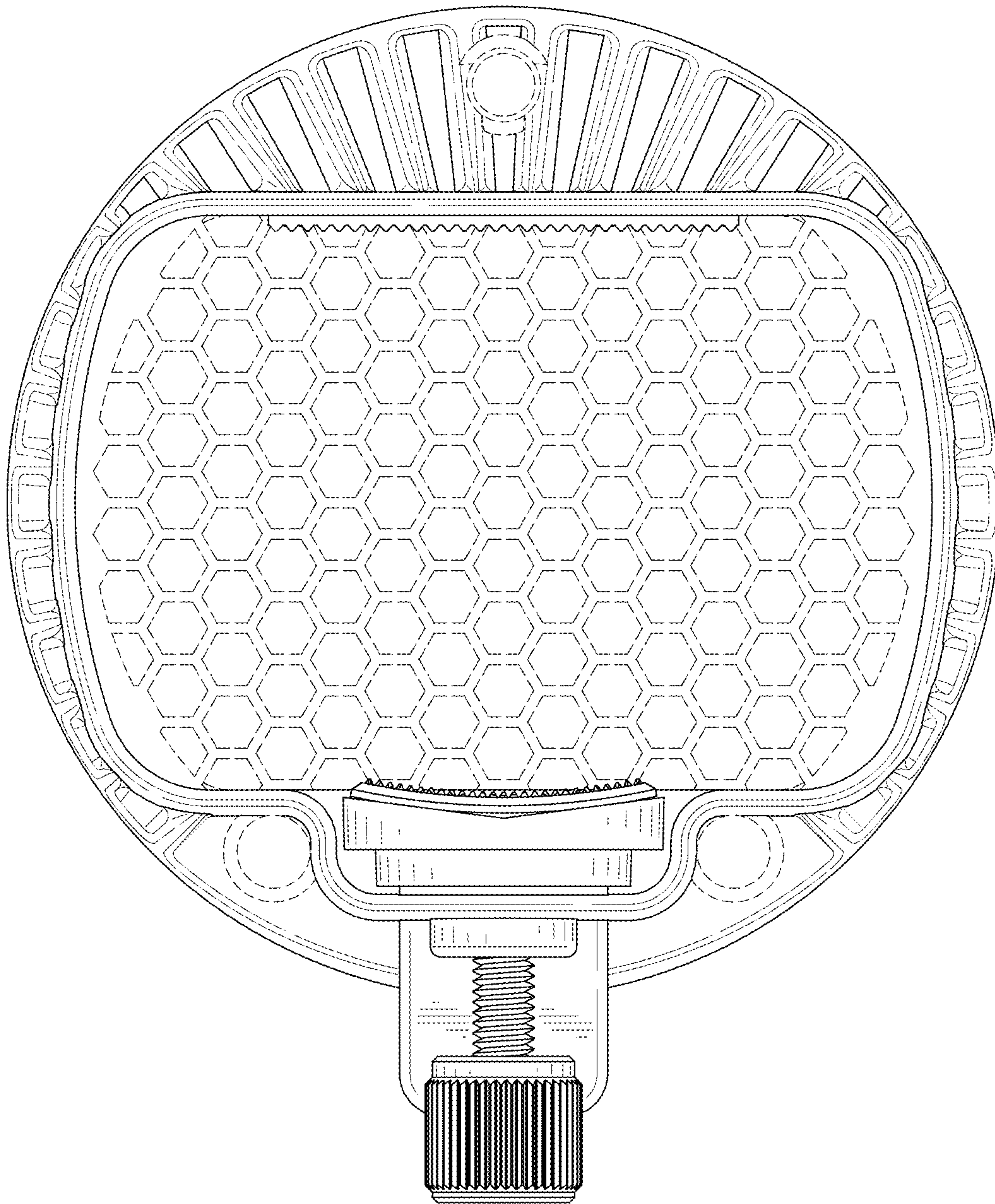


FIG. 4

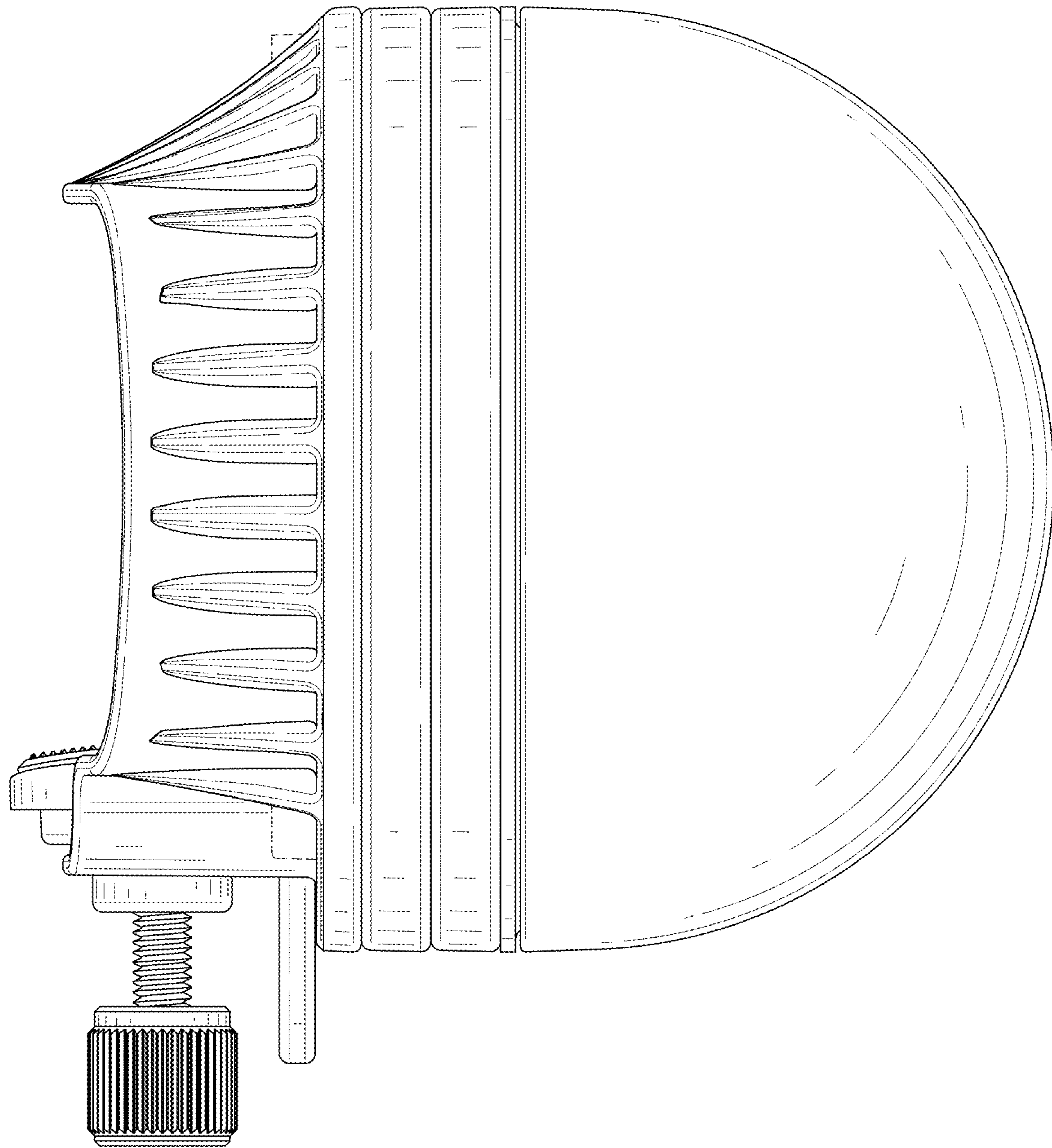


FIG. 5

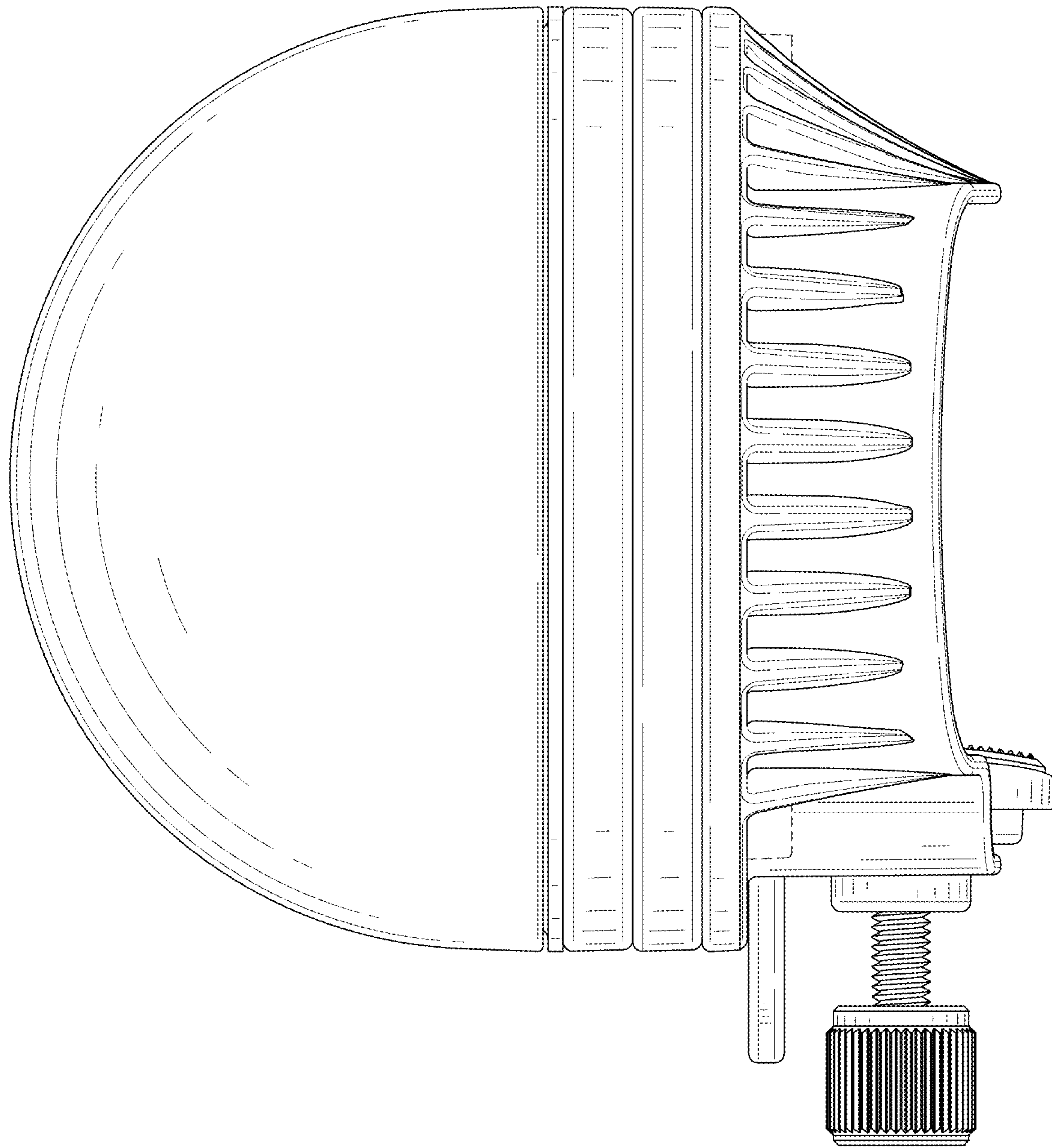


FIG. 6

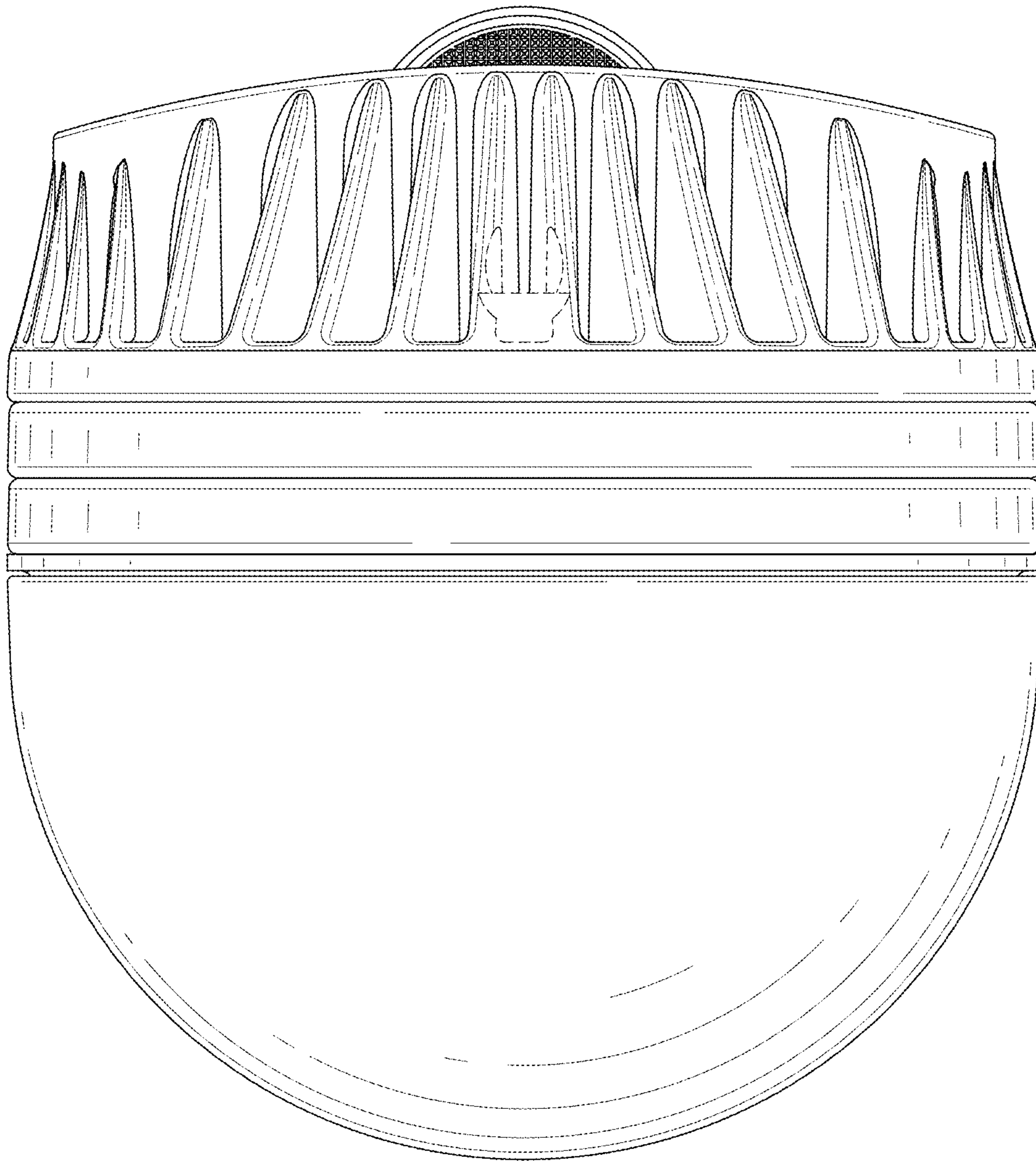


FIG. 7

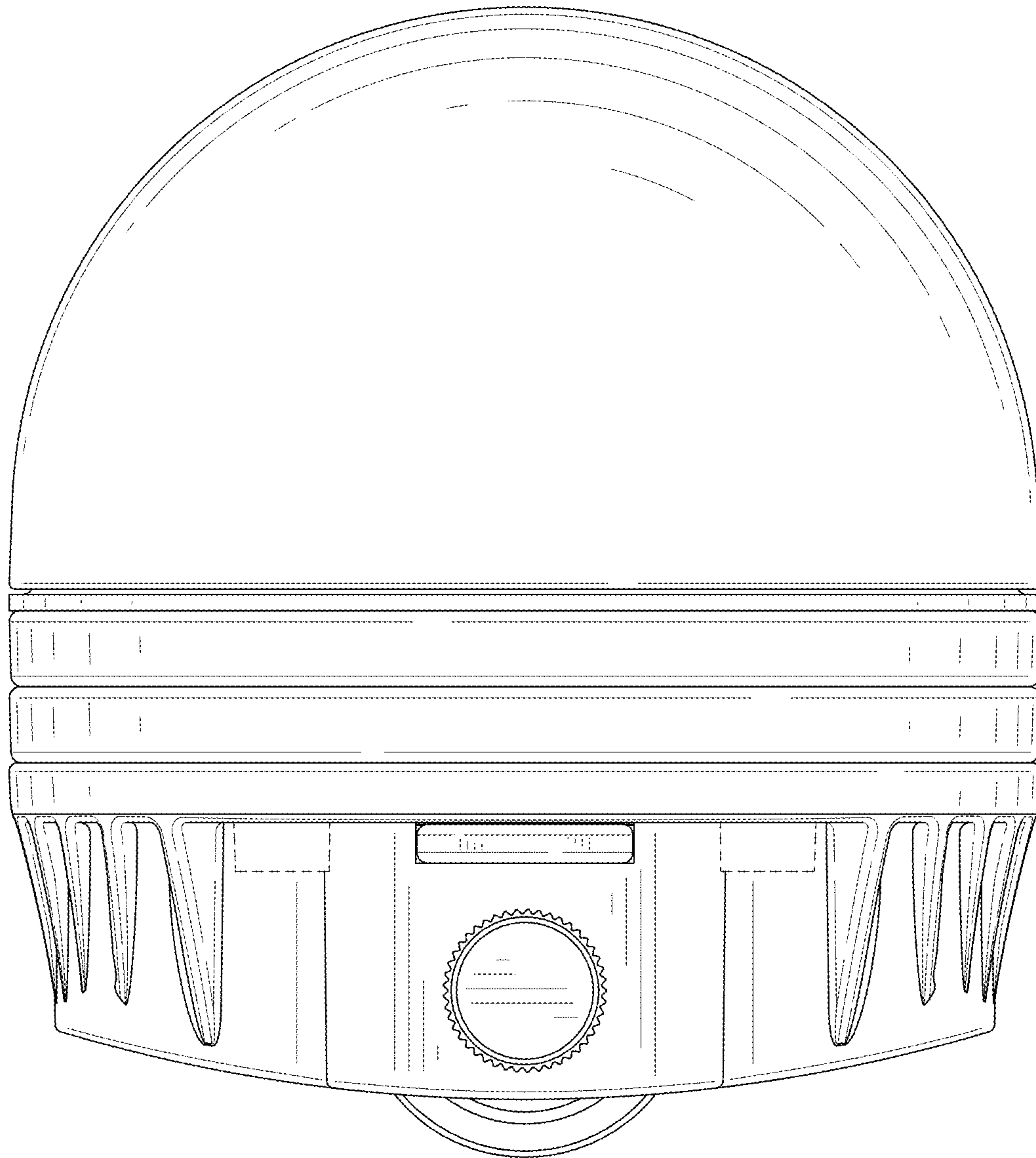


FIG. 8

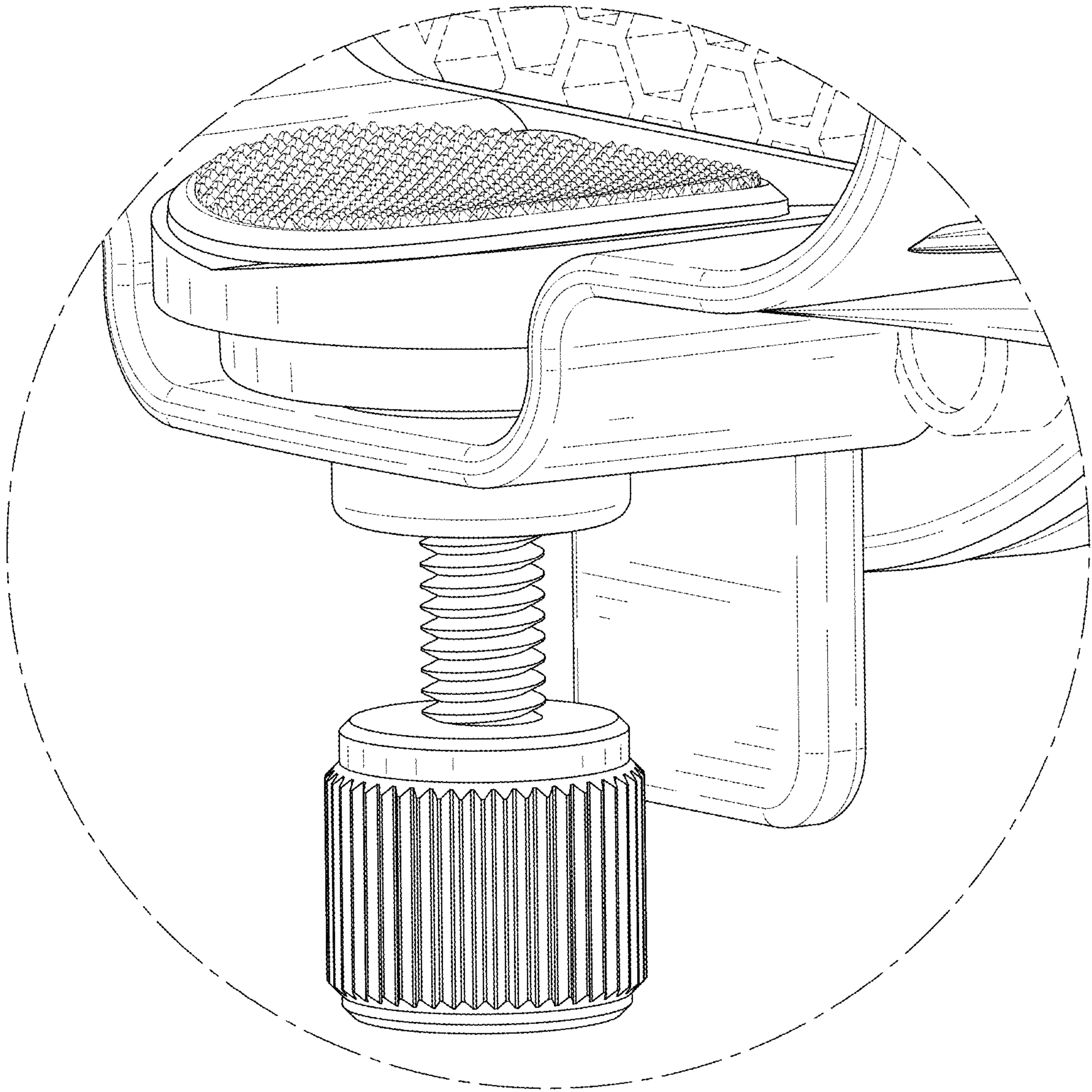


FIG. 9