



US00D895063S

(12) **United States Design Patent** (10) **Patent No.:** **US D895,063 S**  
**Chew et al.** (45) **Date of Patent:** **\*\* Sep. 1, 2020**

(54) **SHOWER CONTROLLER**  
(71) Applicant: **Beijing Kohler Ltd.**, Beijing (CN)  
(72) Inventors: **Han Chew**, Shanghai (CN); **Sophie Su**, Shanghai (CN); **Chia Ying Lee**, Chicago, IL (US)  
(73) Assignee: **KOHLER CO.**, Kohler, WI (US)  
(\*\*) Term: **15 Years**  
(21) Appl. No.: **29/648,830**

D737,932 S \* 9/2015 Nikles ..... D23/223  
D743,507 S \* 11/2015 Georgeson ..... D23/252  
D746,955 S \* 1/2016 Corder ..... D23/261  
D752,711 S \* 3/2016 Georgeson ..... D23/213  
9,387,495 B2 \* 7/2016 Schumacher ..... B05B 1/30  
D778,404 S \* 2/2017 Schoenherr ..... D23/223  
D779,038 S \* 2/2017 Hanna ..... D23/223  
D779,039 S \* 2/2017 Hanna ..... D23/223  
D801,475 S \* 10/2017 Naslund ..... D23/213  
D803,350 S \* 11/2017 Tian ..... D23/213  
D803,988 S 11/2017 Niu  
D808,499 S \* 1/2018 Naslund ..... D23/213  
D809,094 S \* 1/2018 Naslund ..... D23/213  
D810,233 S \* 2/2018 Winter ..... D23/213

(Continued)

(22) Filed: **May 24, 2018**  
(51) **LOC (12) Cl.** ..... **23-01**  
(52) **U.S. Cl.**  
USPC ..... **D23/213**  
(58) **Field of Classification Search**  
USPC ..... D23/213, 214, 215, 223, 224, 226, 229, D23/230  
CPC ..... A61H 9/0021; A61H 33/00; B05B 1/00; B05B 1/14; B05B 1/185; B05B 1/08; B05B 1/02; B05B 1/26; B05B 12/002; B05B 1/18; B05B 9/01  
See application file for complete search history.

**OTHER PUBLICATIONS**

[https://www.amazon.com/Moen-TS3302TB-Connected-Bathroom-Controller/dp/B07TN4KLCJ/ref=sr\\_1\\_183?dchild=1&keywords=shower%2Bsystem&qid=1588622049&sr=8-183&swrs=5E1A93EC24C75CA5A2C602BB513F63DD&th=1](https://www.amazon.com/Moen-TS3302TB-Connected-Bathroom-Controller/dp/B07TN4KLCJ/ref=sr_1_183?dchild=1&keywords=shower%2Bsystem&qid=1588622049&sr=8-183&swrs=5E1A93EC24C75CA5A2C602BB513F63DD&th=1) (Year: 2019).\*

*Primary Examiner* — Manpreet S Matharu  
*Assistant Examiner* — Keith J Wilson  
(74) *Attorney, Agent, or Firm* — Foley & Lardner LLP

(57) **CLAIM**

We claim the ornamental design for a shower controller, as shown and described.

(56) **References Cited**

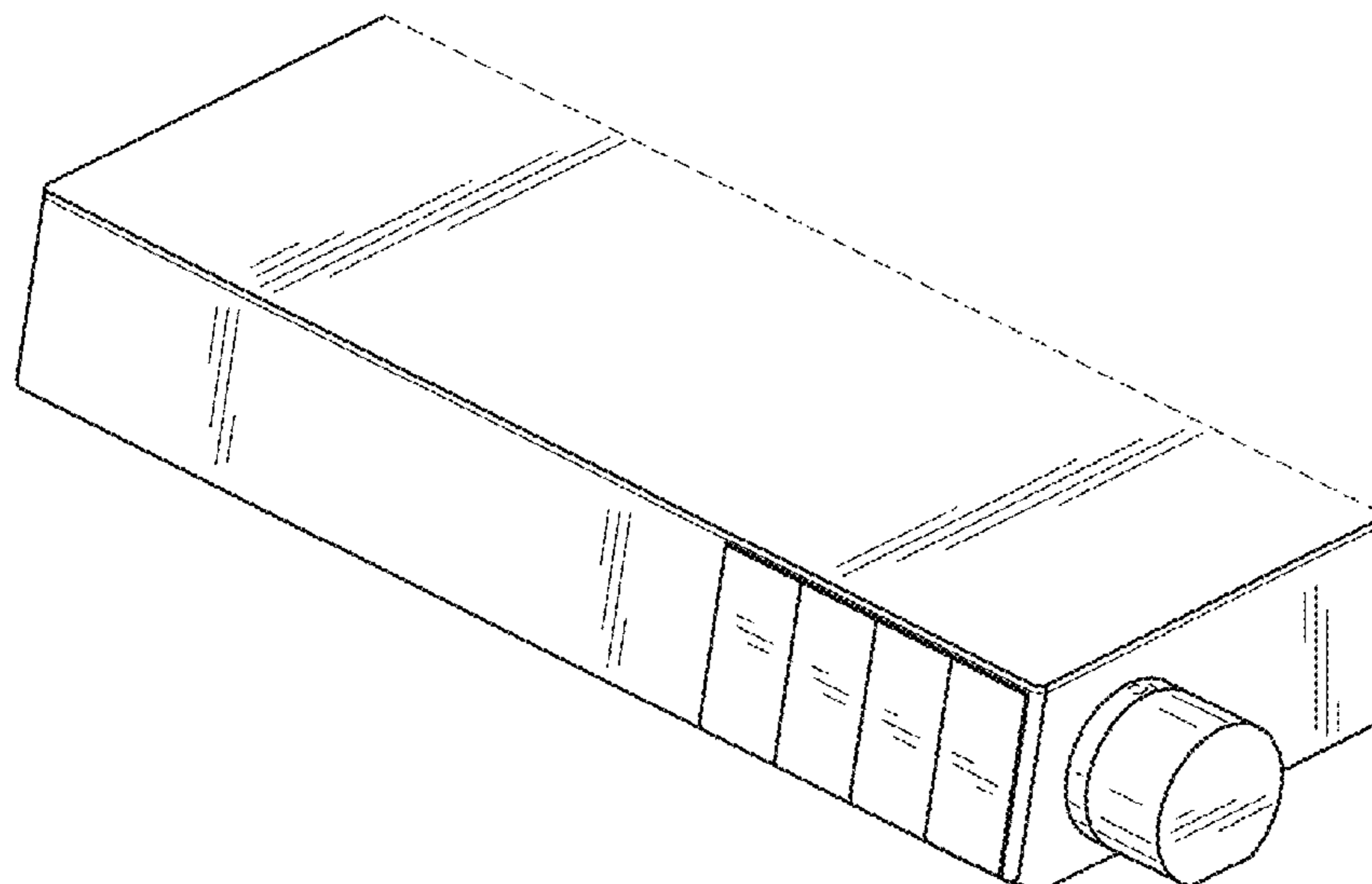
**U.S. PATENT DOCUMENTS**

D487,498 S \* 3/2004 Blomstrom ..... D23/213  
D508,730 S \* 8/2005 Blomstrom ..... D23/229  
D524,412 S \* 7/2006 Blomstrom ..... D23/229  
D680,619 S \* 4/2013 Zhadanov ..... D23/223  
D681,776 S \* 5/2013 Cutler ..... D23/223  
D694,357 S \* 11/2013 Brodey ..... D23/213  
D694,359 S \* 11/2013 Schoenherr ..... D23/213  
D707,330 S \* 6/2014 Schoenherr ..... D23/223  
D713,004 S \* 9/2014 Schoenherr ..... D23/223  
D713,496 S \* 9/2014 Schoenherr ..... D23/213  
D718,418 S \* 11/2014 Georgeson ..... D23/213  
D730,493 S \* 5/2015 Sehl ..... D23/261  
D733,258 S \* 6/2015 Sandee ..... D23/223  
D737,931 S \* 9/2015 Schoenherr ..... D23/223

**DESCRIPTION**

FIG. 1 is a top, front, right perspective view of another an embodiment of the claimed design;  
FIG. 2 is a front elevation view thereof;  
FIG. 3 is a rear elevation view thereof;  
FIG. 4 is a right side elevation view thereof;  
FIG. 5 is a left side elevation view thereof;  
FIG. 6 is a top plan view thereof; and,  
FIG. 7 is a bottom plan view thereof.  
The broken lines shown represent portions of a shower controller and forms no part of the claimed design.

**1 Claim, 3 Drawing Sheets**



(56)

**References Cited**

U.S. PATENT DOCUMENTS

D810,861	S	*	2/2018	Weaver	.....	D23/213
D811,524	S	*	2/2018	Bossini	.....	D23/223
D820,388	S	*	6/2018	Seum	.....	D23/213
D820,949	S	*	6/2018	Reinecker	.....	D23/213
D821,542	S	*	6/2018	Reinecker	.....	D23/213
D824,485	S	*	7/2018	Montoya	.....	D23/213
D833,575	S	*	11/2018	Soulier	.....	D23/223
D839,384	S	*	1/2019	Svendsen	.....	D23/213
D840,503	S	*	2/2019	Stein	.....	D23/213
D841,121	S	*	2/2019	Kiefer	.....	D23/213
D841,125	S	*	2/2019	Lai	.....	D23/223
D842,429	S	*	3/2019	Huang	.....	D23/213
D842,430	S	*	3/2019	Huang	.....	D23/213
D842,431	S	*	3/2019	Cacka	.....	D23/213
D842,967	S	*	3/2019	Farley	.....	D23/213

\* cited by examiner

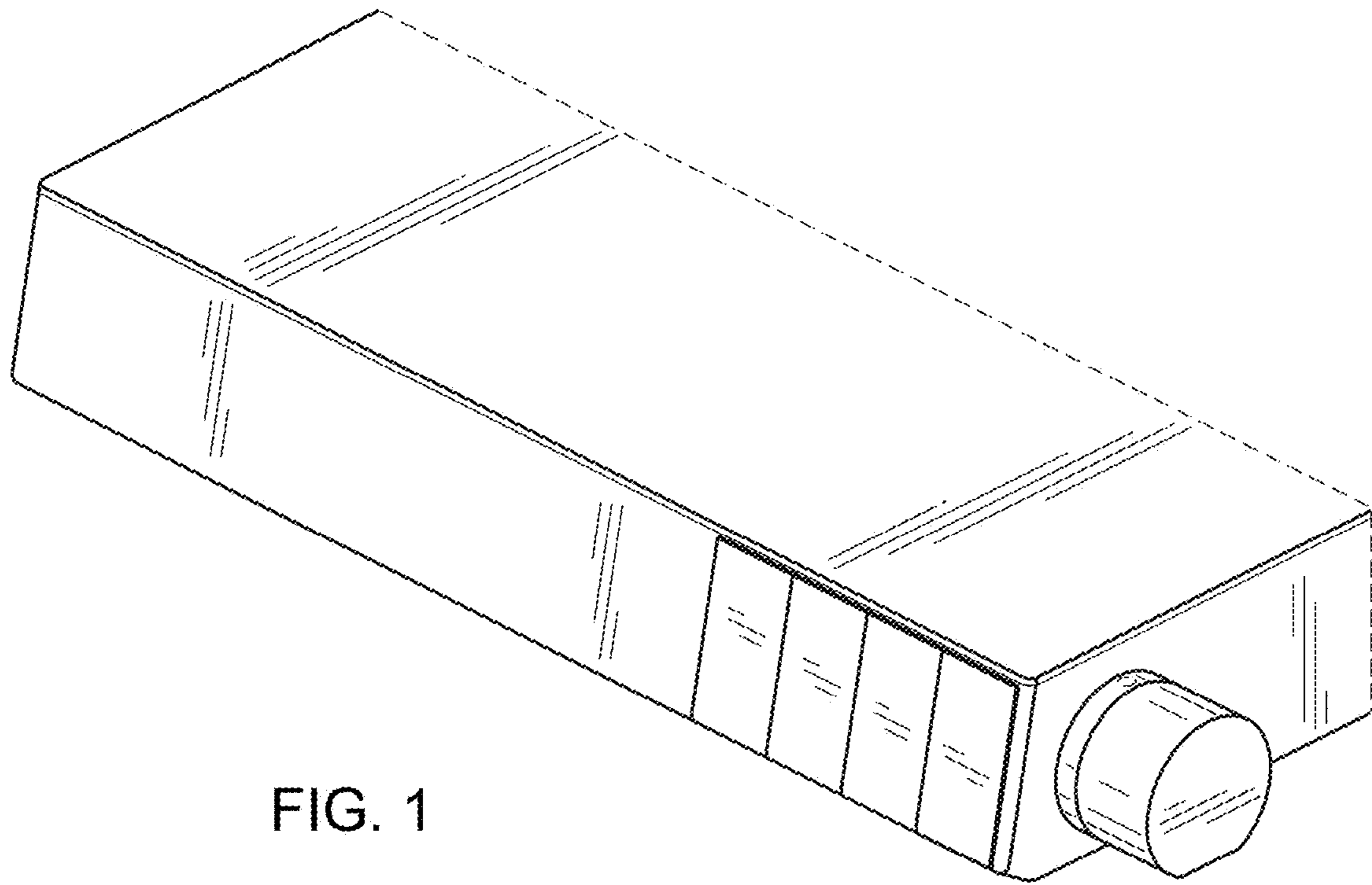


FIG. 1

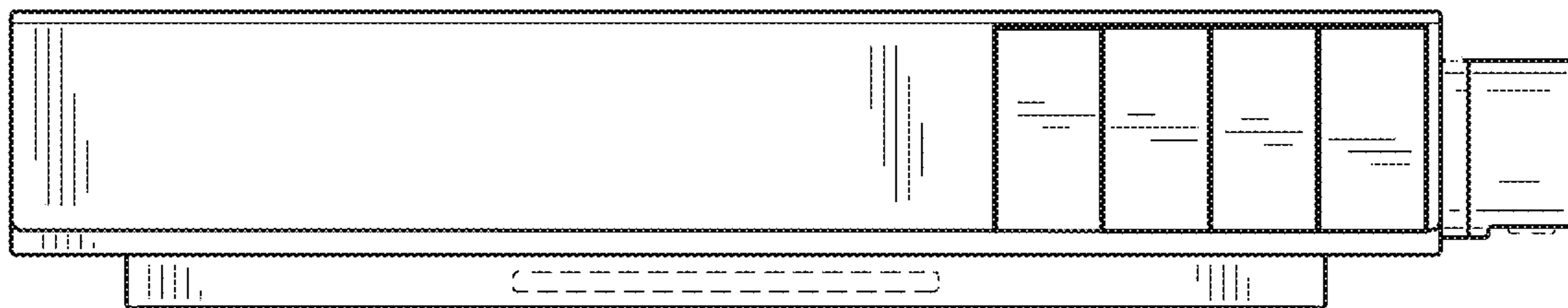


FIG. 2

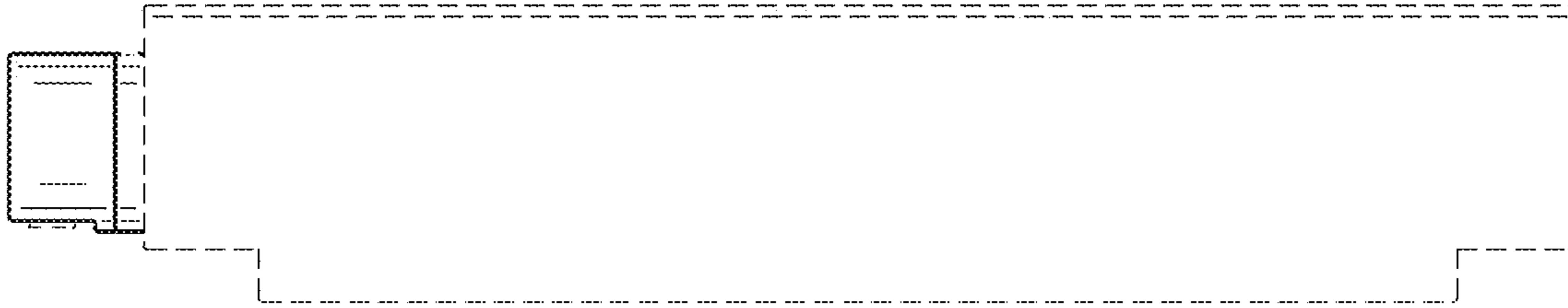


FIG. 3

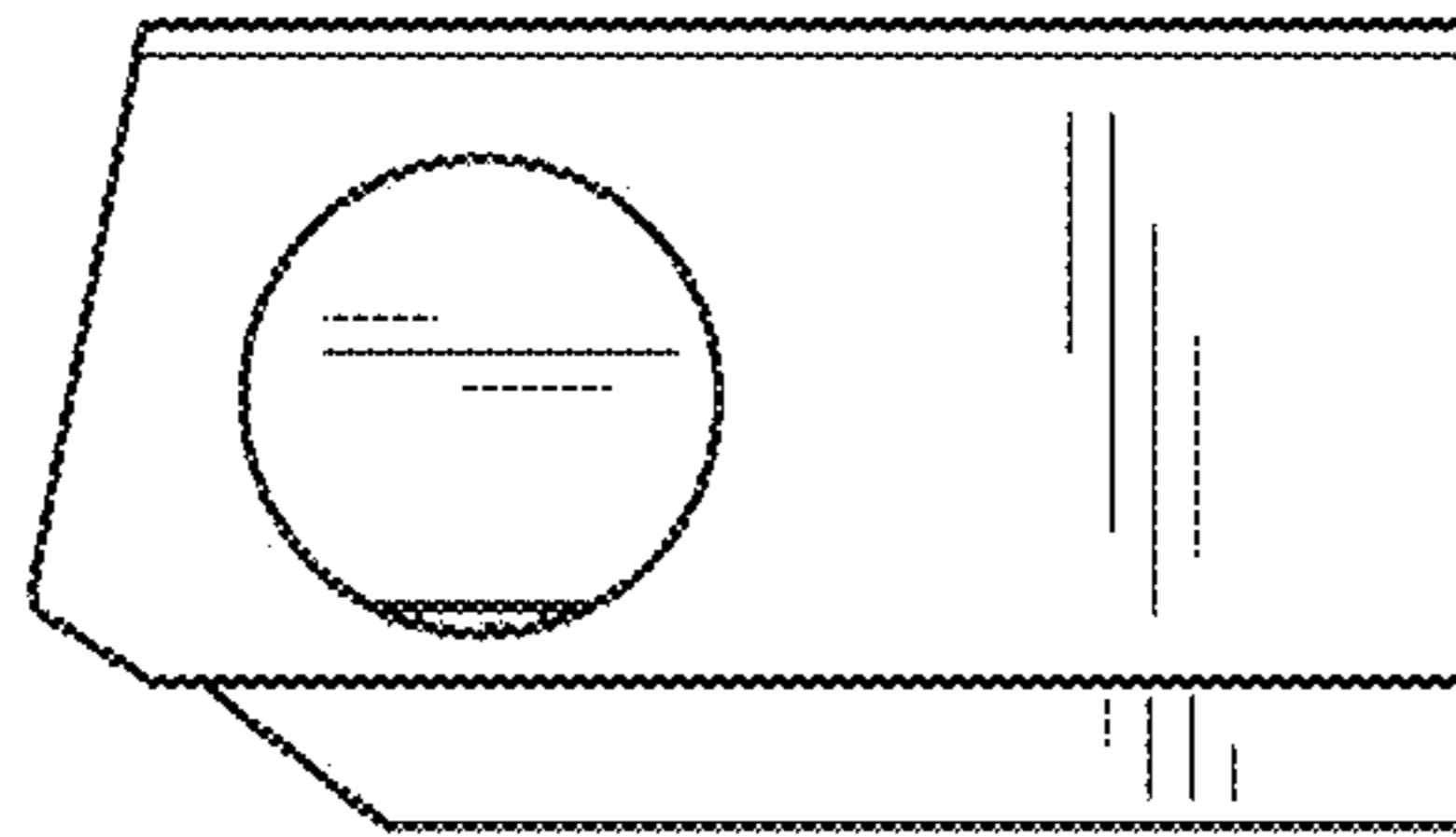


FIG. 4

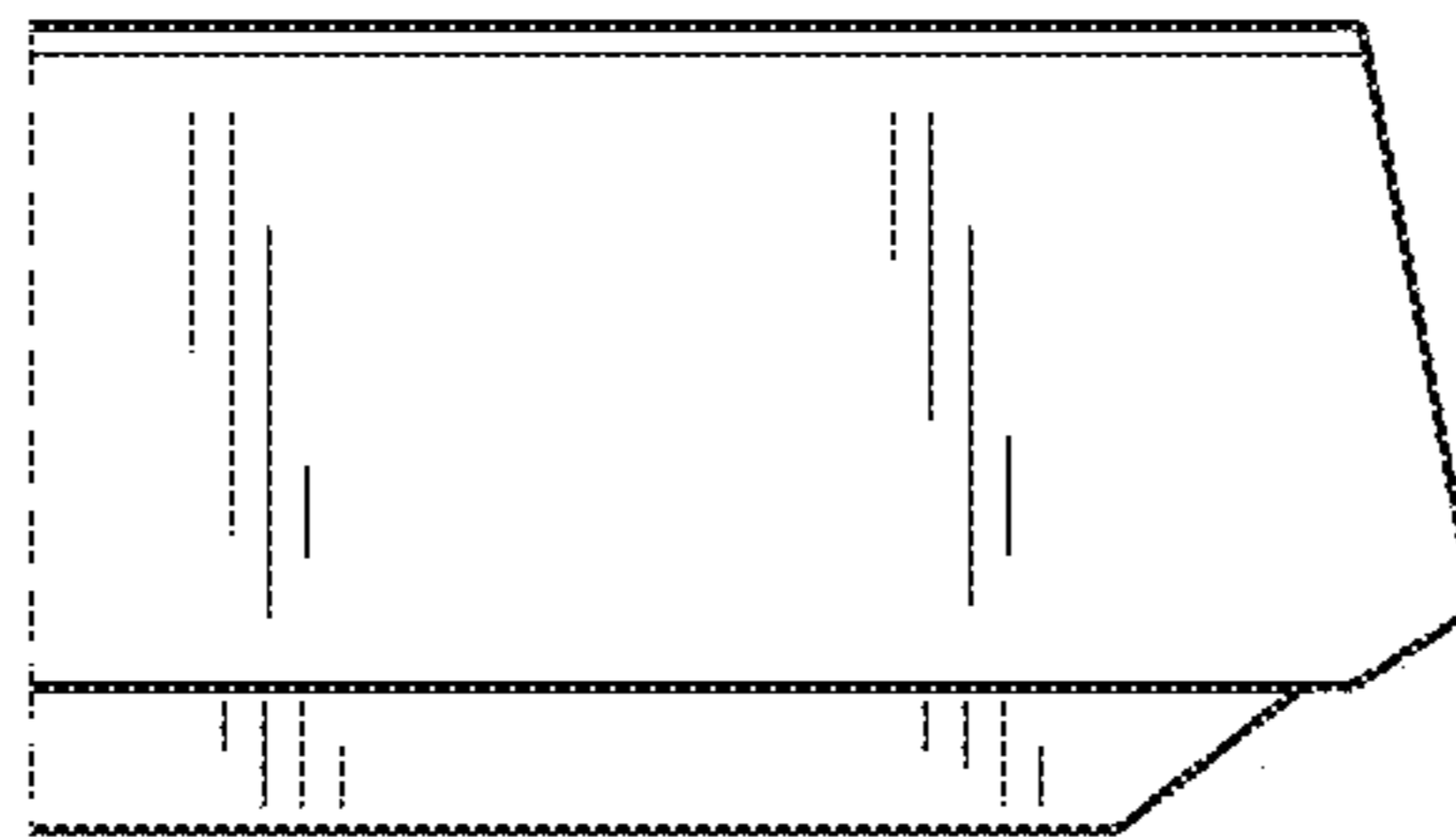


FIG. 5

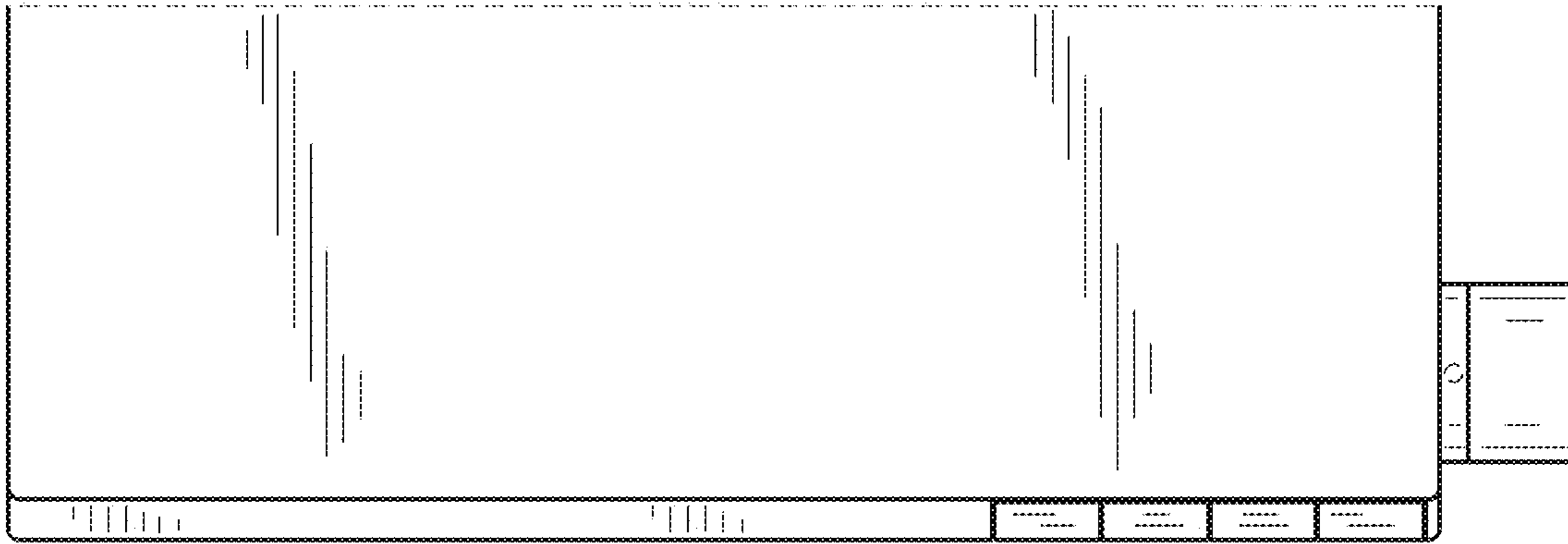


FIG. 6

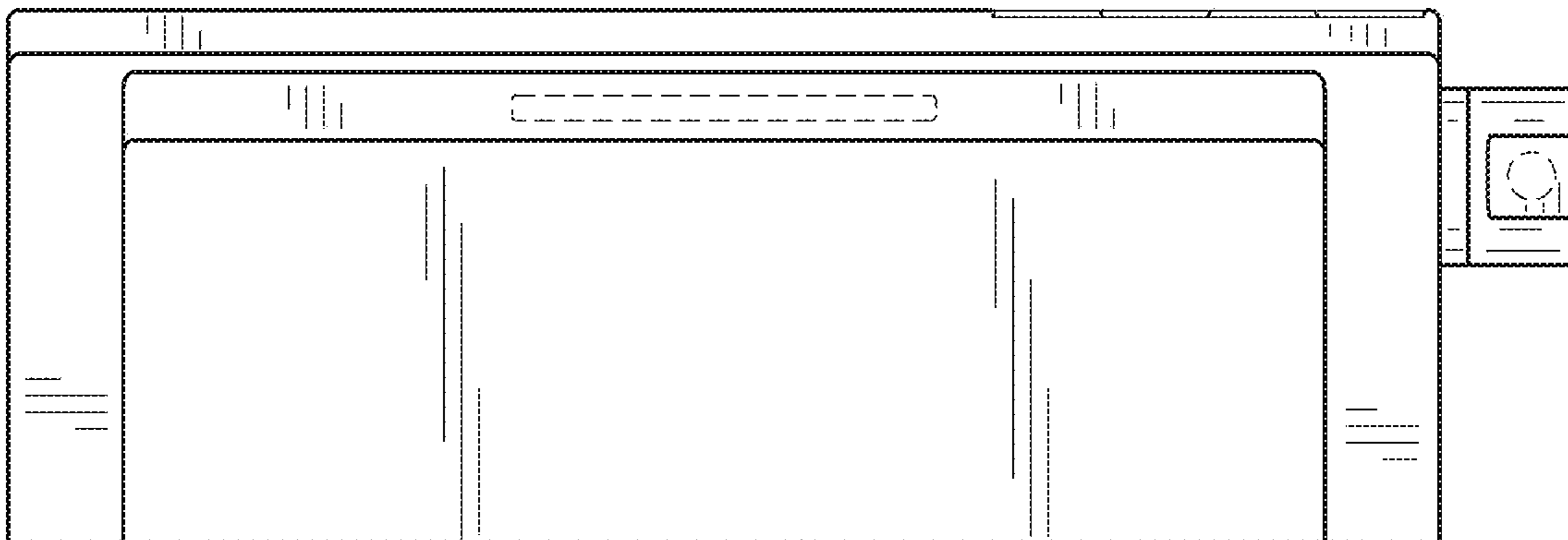


FIG. 7