



US00D895060S

(12) **United States Design Patent** (10) **Patent No.:** **US D895,060 S**
Qin et al. (45) **Date of Patent:** **** Sep. 1, 2020**

(54) **WATER CHILLER**
(71) Applicant: **HAN'S LASER TECHNOLOGY INDUSTRY GROUP CO., LTD.**, Shenzhen, Guangdong (CN)
(72) Inventors: **Chaozhen Qin**, Guangdong (CN); **Deluo Wen**, Guangdong (CN); **Zhaoyong Guo**, Guangdong (CN); **Qitao Lue**, Guangdong (CN); **Yunfeng Gao**, Guangdong (CN)
(73) Assignee: **HANS'S LASER TECHNOLOGY INDUSTRY GROUP CO., LTD.**, Shenzhen (CN)
(**) Term: **15 Years**
(21) Appl. No.: **29/636,814**
(22) Filed: **Feb. 12, 2018**
(51) **LOC (12) Cl.** **23-01**
(52) **U.S. Cl.** **D23/209; D15/79**
(58) **Field of Classification Search**
USPC D23/200, 206, 207, 209; D15/79, 81; D7/306; D14/140.4, 188, 496
CPC .. F25C 5/002; F25C 5/005; F25C 5/12; F25C 1/04; F25C 2700/02; F25C 5/046; F25C 5/187
See application file for complete search history.

(56) **References Cited**
U.S. PATENT DOCUMENTS
D249,057 S * 8/1978 Hansrote D23/207
D264,843 S * 6/1982 Karas D13/164
D314,225 S * 1/1991 Palmer D23/207
D344,527 S * 2/1994 Drago D15/79
D395,654 S * 6/1998 Mackie D13/110
D404,396 S * 1/1999 Mackie D13/110
D410,653 S * 6/1999 Roy D13/164
D422,679 S * 4/2000 Burrows D23/209

D425,174 S * 5/2000 Swancara D23/207
D581,197 S * 11/2008 Kassenaar D7/306
D608,730 S * 1/2010 Gamboa D13/103
D627,855 S * 11/2010 Ito D23/200
D680,970 S * 4/2013 Wong D13/158
D762,743 S * 8/2016 Fan D15/81
9,643,831 B1 * 5/2017 Al-Assfoor B67D 1/0857
D803,276 S * 11/2017 Adjabeng D15/79
D830,429 S * 10/2018 Brown D15/79
D831,716 S * 10/2018 Gou D15/144
D834,073 S * 11/2018 Adomat D15/79
D851,138 S * 6/2019 Murobayashi D15/81
(Continued)

OTHER PUBLICATIONS

Han's laser water chiller [Aug. 14, 2018] found online [Feb. 11, 2020]—https://twitter.com/lau_nolin?lang=en.
(Continued)

Primary Examiner — Lakiya G Rogers
Assistant Examiner — John A Voytek
(74) *Attorney, Agent, or Firm* — Ladas & Parry LLP

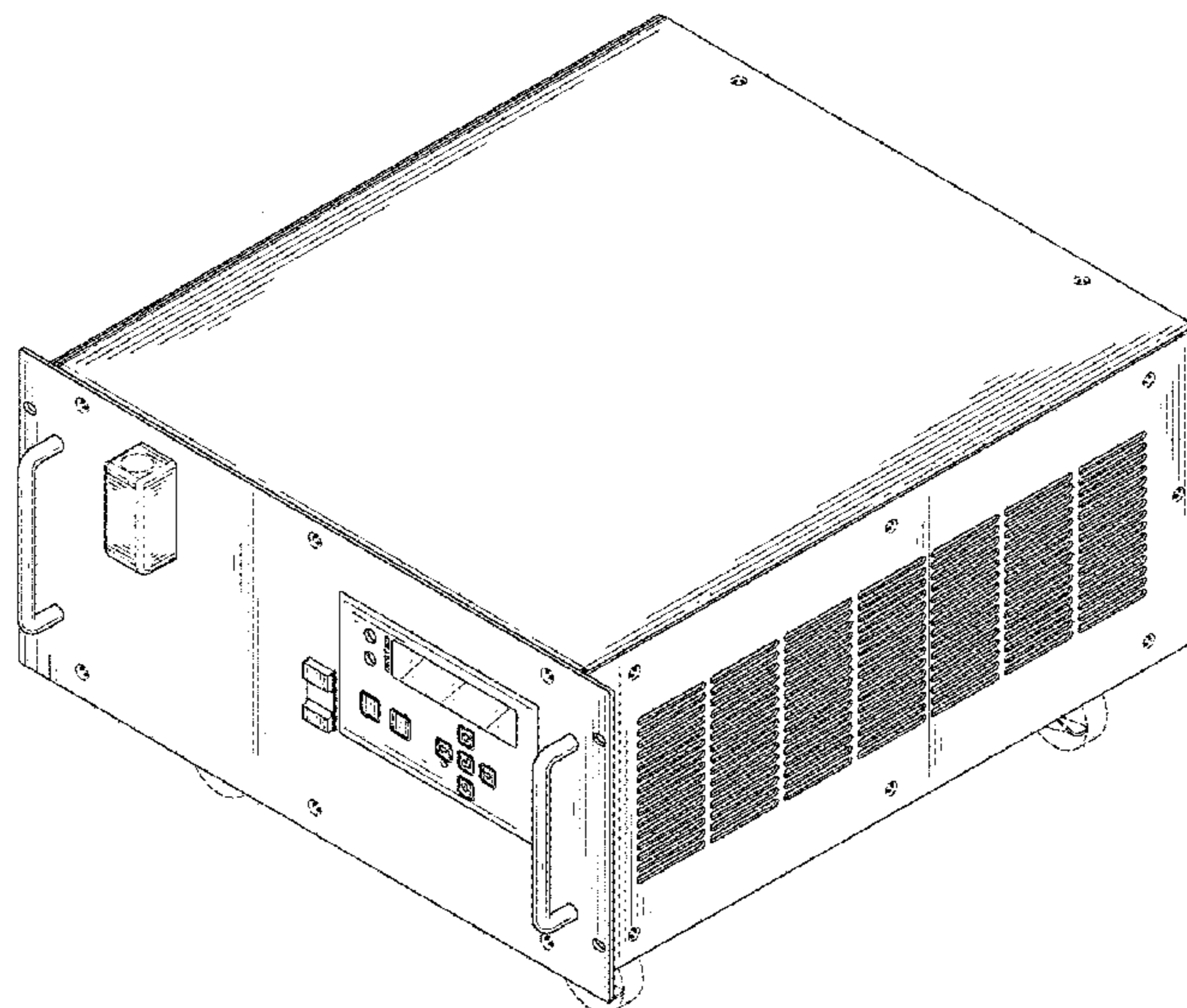
(57) **CLAIM**

The ornamental design for a water chiller, as shown and described.

DESCRIPTION

FIG. 1 is a perspective view of a water chiller showing my new design;
FIG. 2 is a front elevational view thereof;
FIG. 3 is a rear elevational view thereof;
FIG. 4 is a left side elevational view thereof;
FIG.5 is a right side elevational view thereof;
FIG.6 is a top plan view thereof; and,
FIG.7 is a bottom plan view thereof.
The broken lines in the figures are included for the purpose of illustrating portions of the water chiller which form no part of the claimed design.

1 Claim, 7 Drawing Sheets



(56)

References Cited

U.S. PATENT DOCUMENTS

D854,588 S * 7/2019 Black D15/81
D855,667 S * 8/2019 Shu D15/79
2016/0146519 A1* 5/2016 Ito F28D 1/05383
62/498

OTHER PUBLICATIONS

Industrial Water Chiller reference [Feb. 11, 2020] found online
[Feb. 11, 2020]—<https://www.amazon.com/US-Stock-CW-5000DG-Industrial-Chiller/dp/B07GGRLGFZ>.*

* cited by examiner

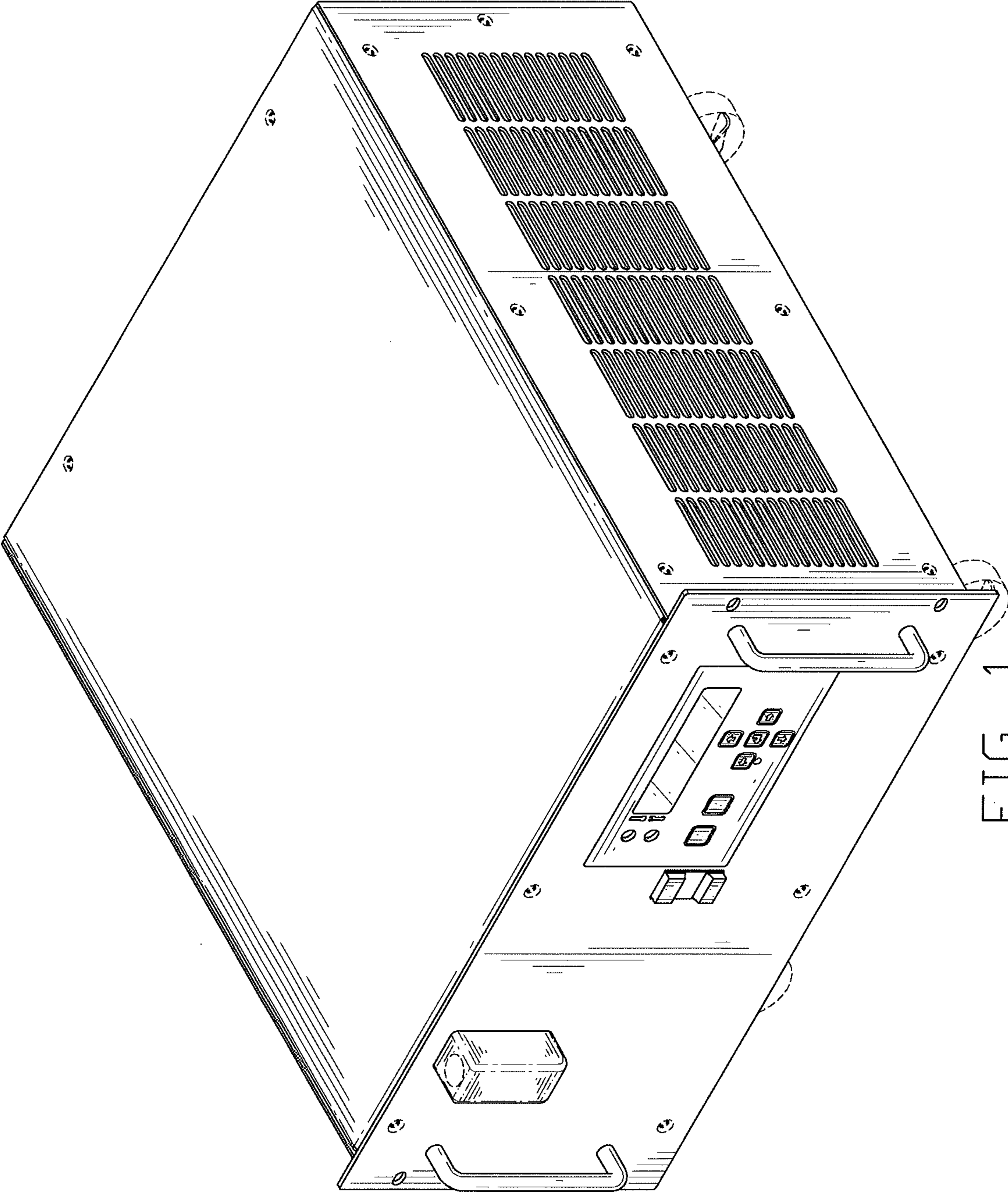


FIG. 1

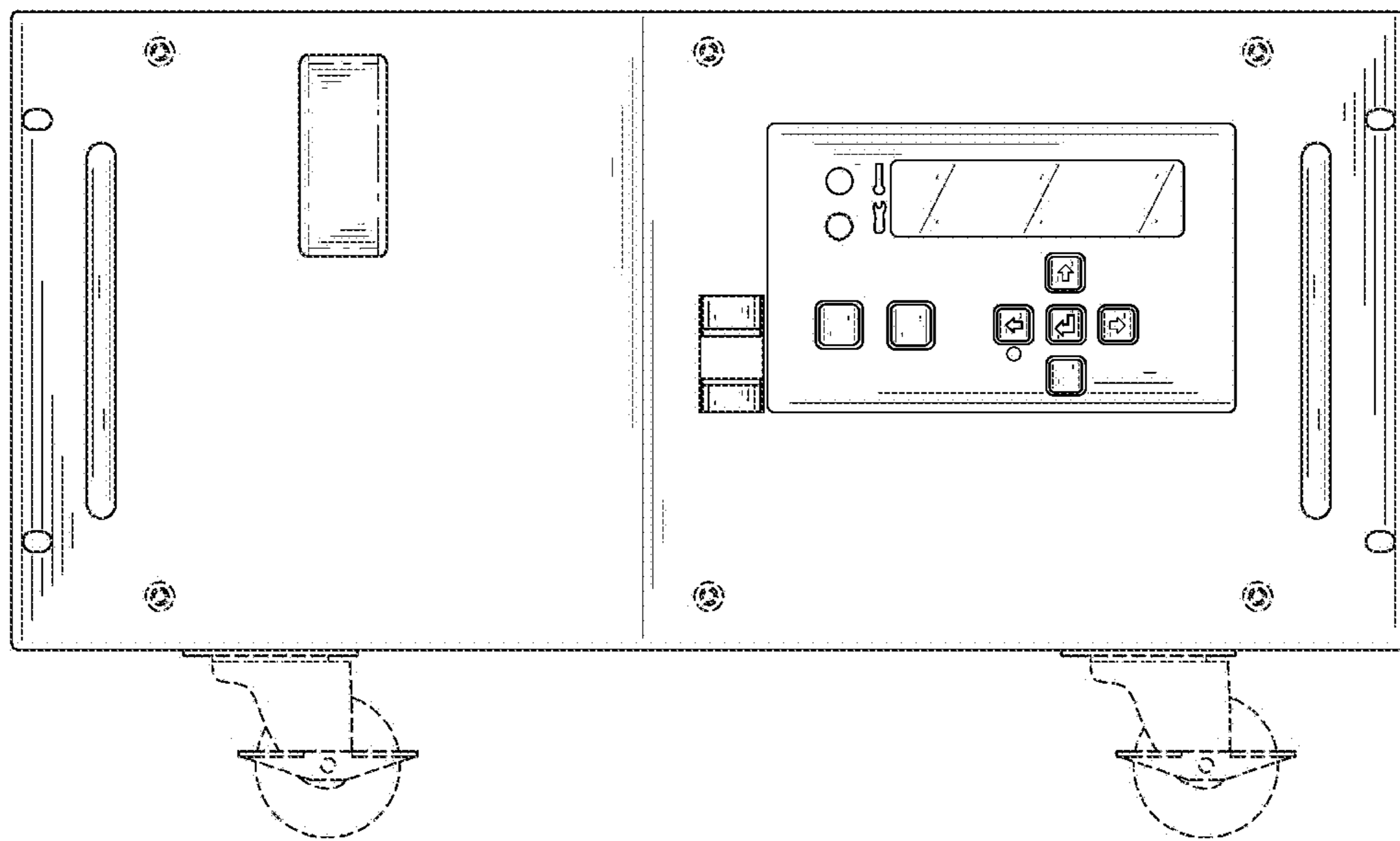


FIG. 2

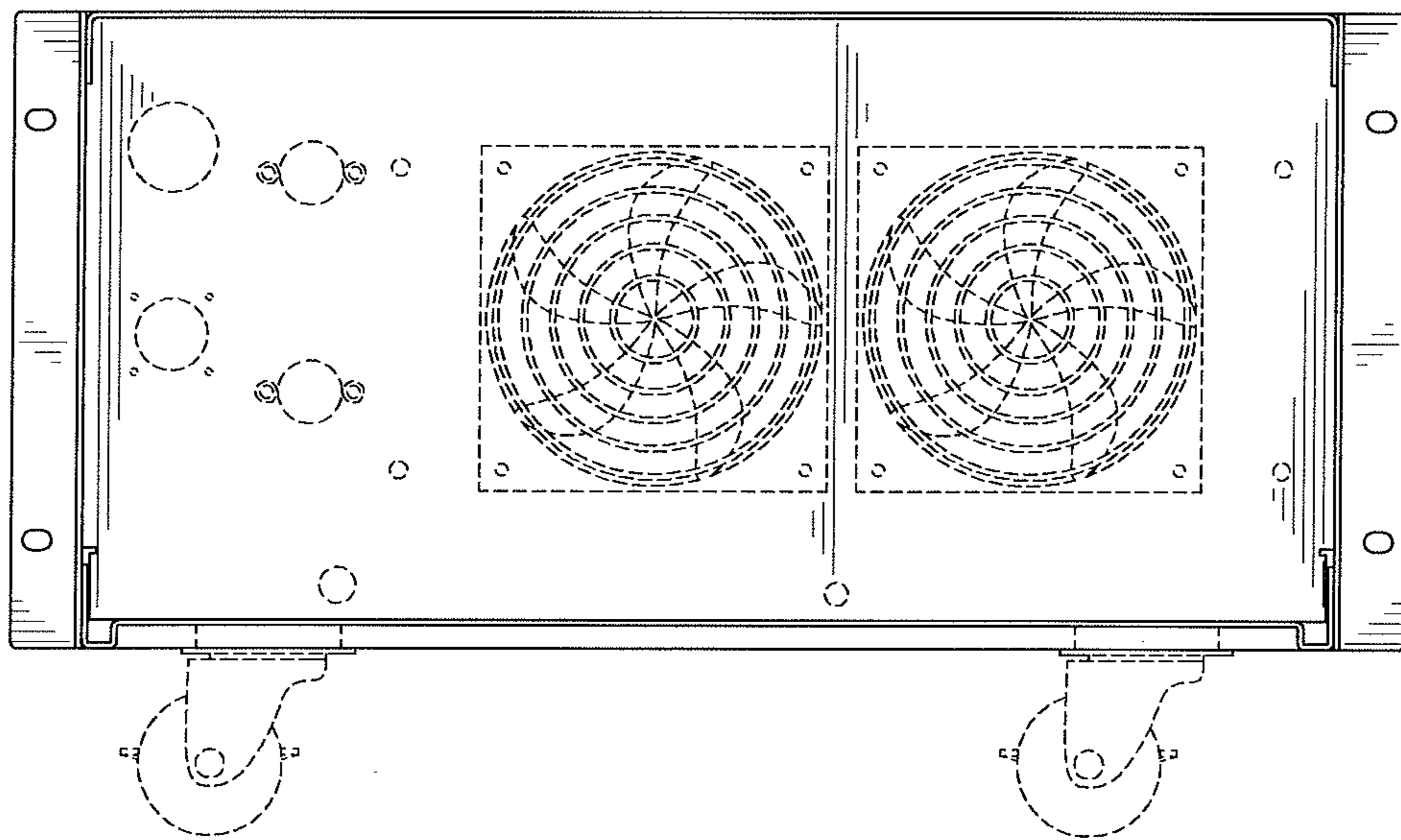


FIG. 3

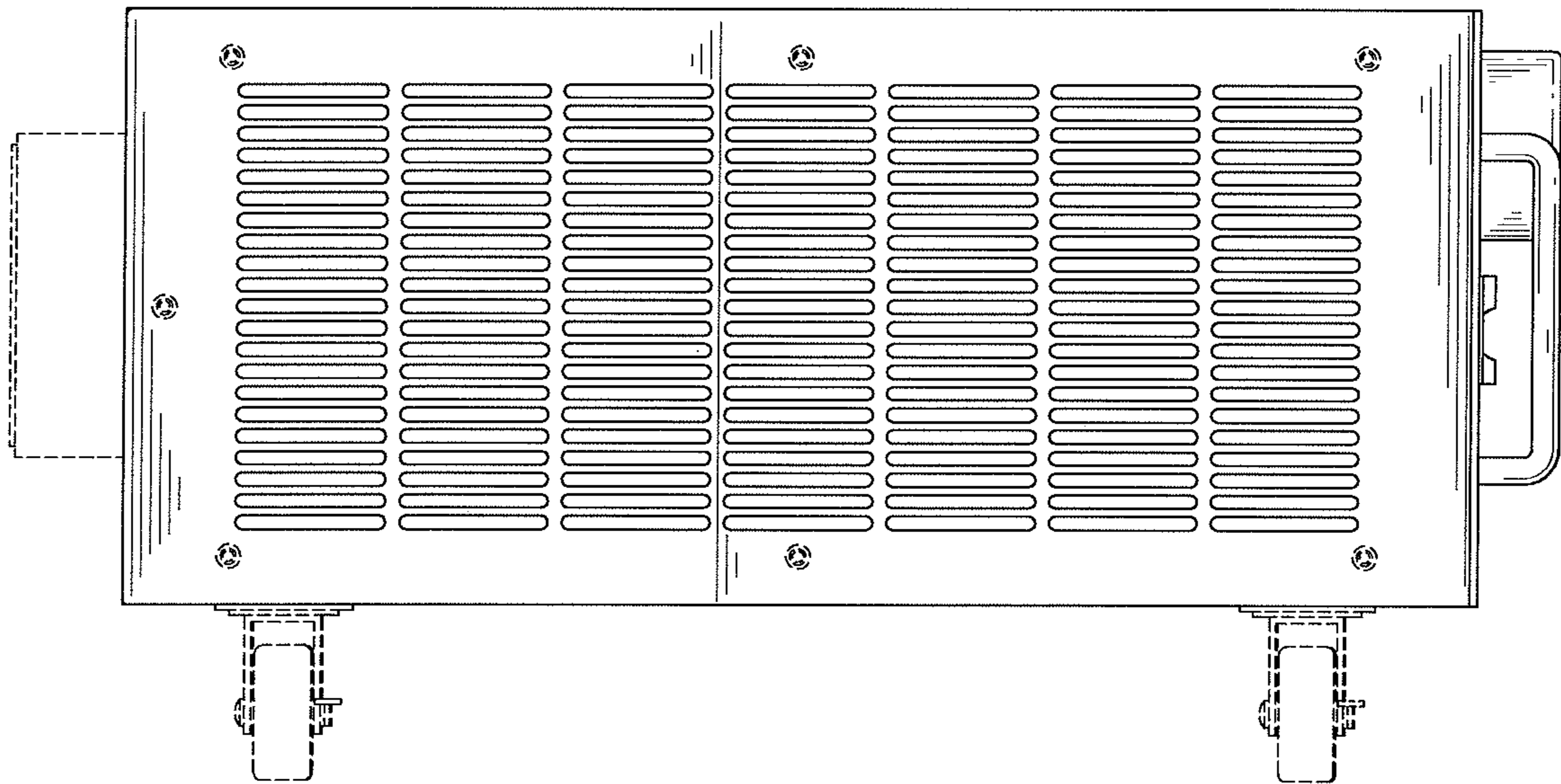


FIG. 4

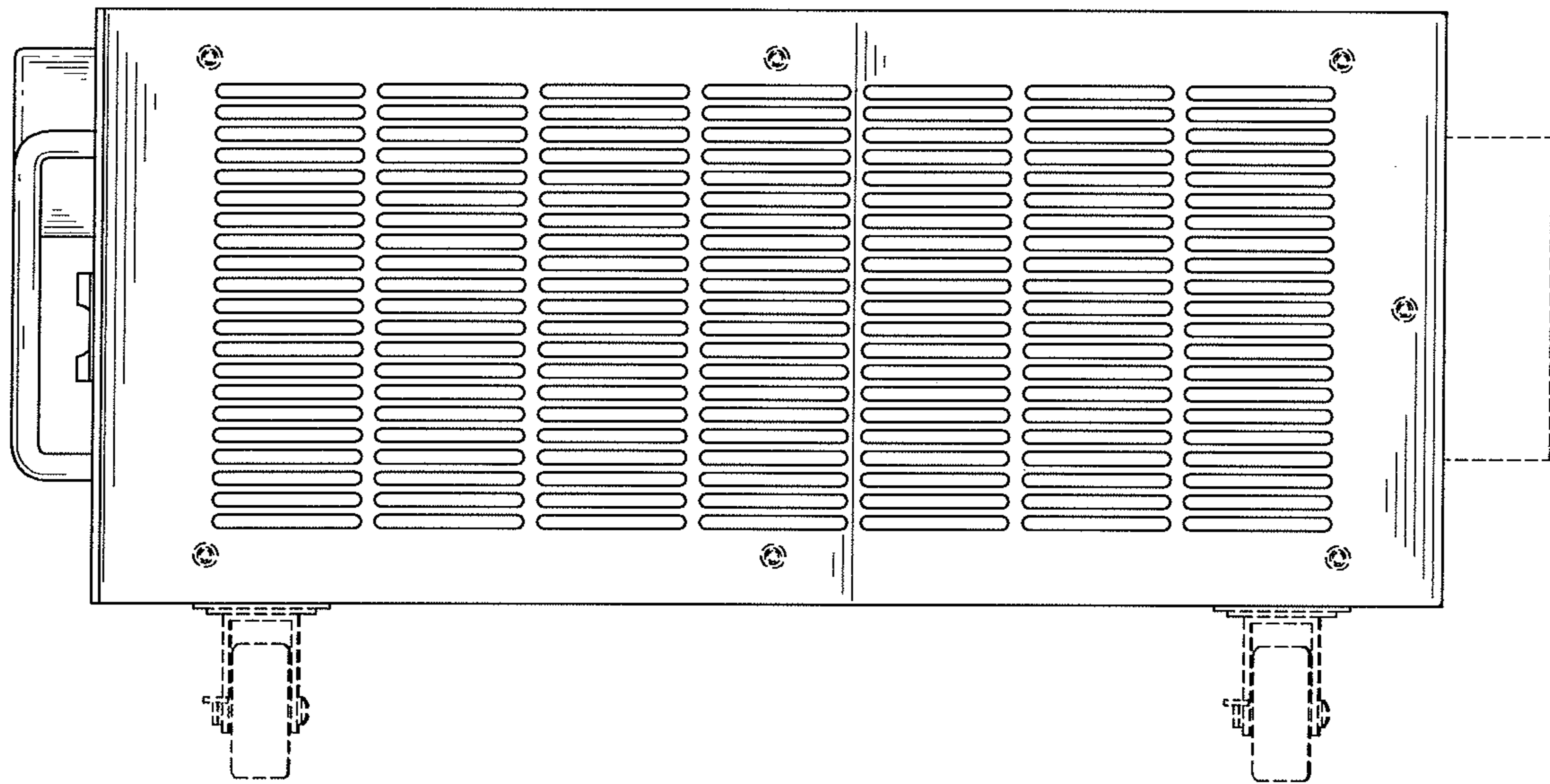


FIG. 5

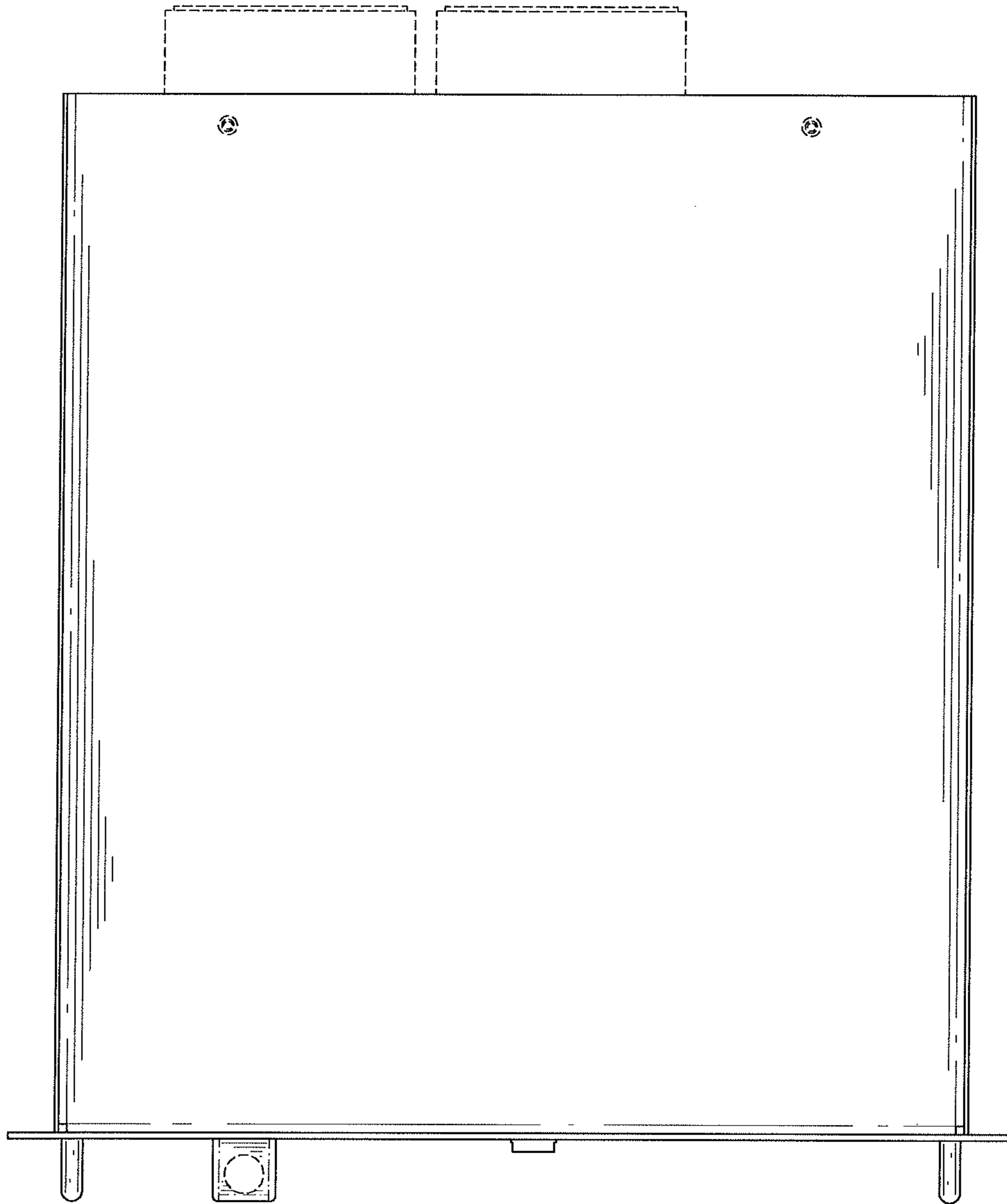


FIG. 6

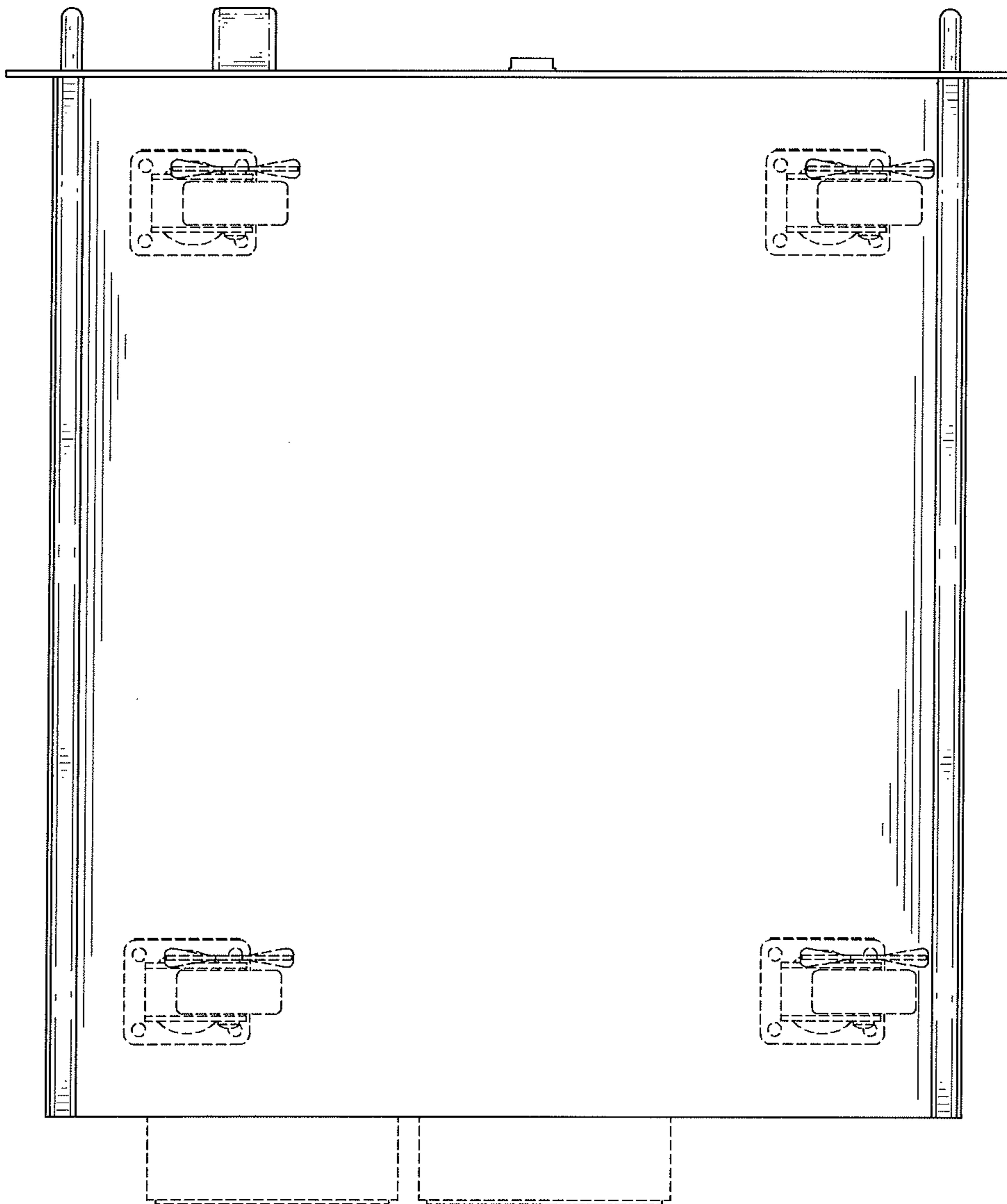


FIG. 7