



US00D895059S

(12) **United States Design Patent** (10) **Patent No.:** **US D895,059 S**
Krumbein et al. (45) **Date of Patent:** **** Sep. 1, 2020**

(54) **FILTER CASSETTE**
(71) Applicant: **SARTORIUS STEDIM BIOTECH GMBH**, Göttingen (DE)
(72) Inventors: **Thomas Krumbein**, Ebergötzen (DE); **Stefan Weisshaar**, Adelebsen (DE); **Michael Bates**, Stroud (GB)
(73) Assignee: **SARTORIUS STEDIM BIOTECH GMBH**, Göttingen (DE)

D652,103 S * 1/2012 Okajima D23/207
D652,480 S * 1/2012 Okajima D23/207
8,702,981 B2 * 4/2014 Lutz A01K 63/045
210/167.21
D740,391 S * 10/2015 Mueller D23/209
D741,983 S * 10/2015 Mueller D23/209
D831,153 S * 10/2018 Li D23/207
D843,052 S * 3/2019 Powell D27/163
2015/0001147 A1 * 1/2015 Leuthold B01D 29/05
210/335
2016/0288054 A1 * 10/2016 Krumbein F16B 5/0642
(Continued)

(**) Term: **15 Years**

(21) Appl. No.: **29/641,961**

(22) Filed: **Mar. 26, 2018**

(30) **Foreign Application Priority Data**

Sep. 27, 2017 (EM) 004374064

(51) **LOC (12) Cl.** **23-01**

(52) **U.S. Cl.**
USPC **D23/207**

(58) **Field of Classification Search**
USPC D23/200, 206, 207, 209, 366; D15/79, D15/81; D7/306; D14/140.4, 188, 496
CPC B01D 65/00; B01D 65/02; B01D 65/022; B01D 65/08; B01D 29/39; B01D 33/042
See application file for complete search history.

(56) **References Cited**

U.S. PATENT DOCUMENTS

D360,281 S * 7/1995 Kim D27/141
5,755,218 A * 5/1998 Johansson A61M 15/00
128/200.14
6,004,461 A * 12/1999 Harris B01D 29/23
210/241
D456,877 S * 5/2002 Wilder D23/209
D468,798 S * 1/2003 Wilder D23/209
D557,373 S * 12/2007 Terada D23/207
D597,189 S * 7/2009 Osborne D23/365
7,779,830 B2 * 8/2010 Koerner A61M 15/0085
128/200.11

OTHER PUBLICATIONS

Sartocon® Slice Hydrosart® Cassette reference [Feb. 12, 2020] found online [Feb. 12, 2020]—<https://www.sartorius.com/shop/us/en/usd/bioprocess-products-and-services-filtration-and-purification-technologies-crossflow-filtration-crossflow-cassettes-ultrafiltration-cassettes/sartocon%C2%AE-slice-hydrosart%C2%AE-cassette/>*

Primary Examiner — Lakiya G Rogers

Assistant Examiner — John A Voytek

(74) *Attorney, Agent, or Firm* — McCoy Russell LLP

(57) **CLAIM**

The ornamental design for the filter cassette, as shown and described.

DESCRIPTION

FIG. 1 is a front-right perspective view of a filter cassette according to the present disclosure.

FIG. 2 is a rear elevation view of the filter cassette.

FIG. 3 is a front elevation view of the filter cassette.

FIG. 4 is a right side elevation view of the filter cassette.

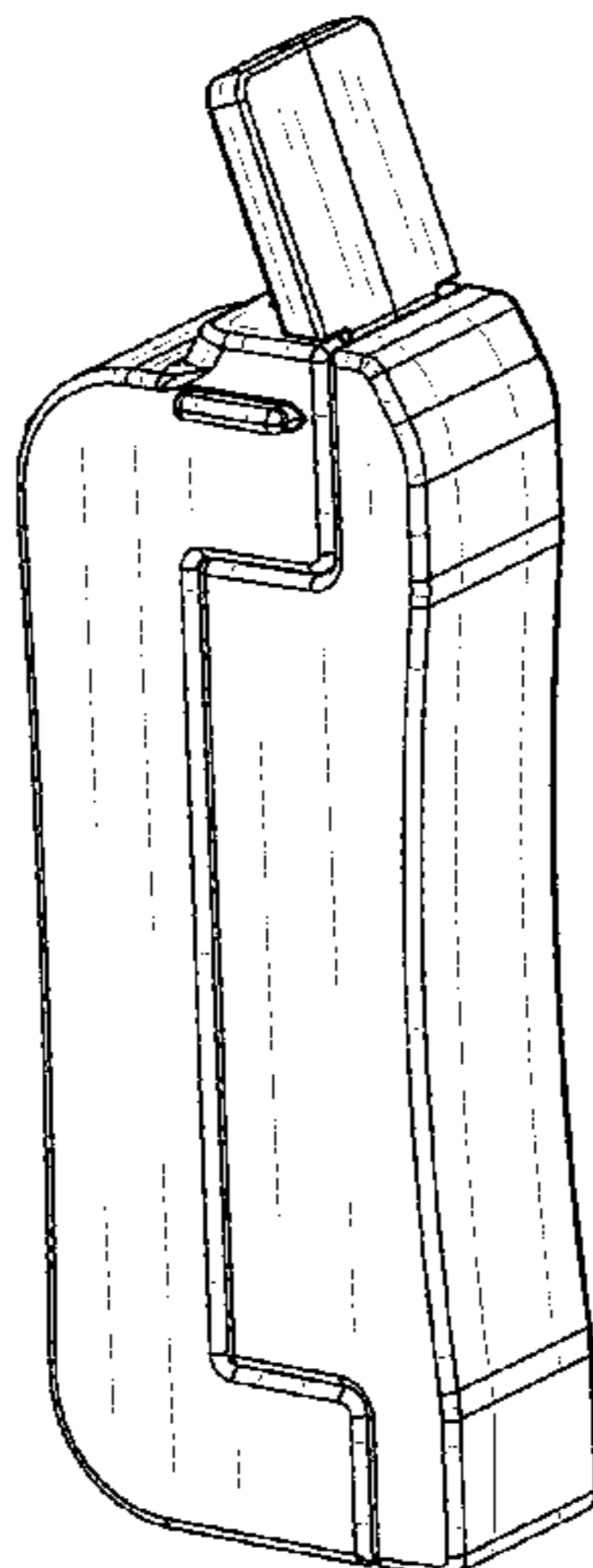
FIG. 5 is a left side elevation view of the filter cassette.

FIG. 6 is a bottom plan view of the filter cassette; and,

FIG. 7 is a top plan view of the filter cassette.

The broken lines shown in FIG. 5 of the drawings indicate portions of the filter cassette that form no part of the claimed design.

1 Claim, 7 Drawing Sheets



(56)

References Cited

U.S. PATENT DOCUMENTS

2017/0266590 A1* 9/2017 Krumbein B01D 25/26
2018/0078903 A1* 3/2018 Hillier B01D 63/082

* cited by examiner

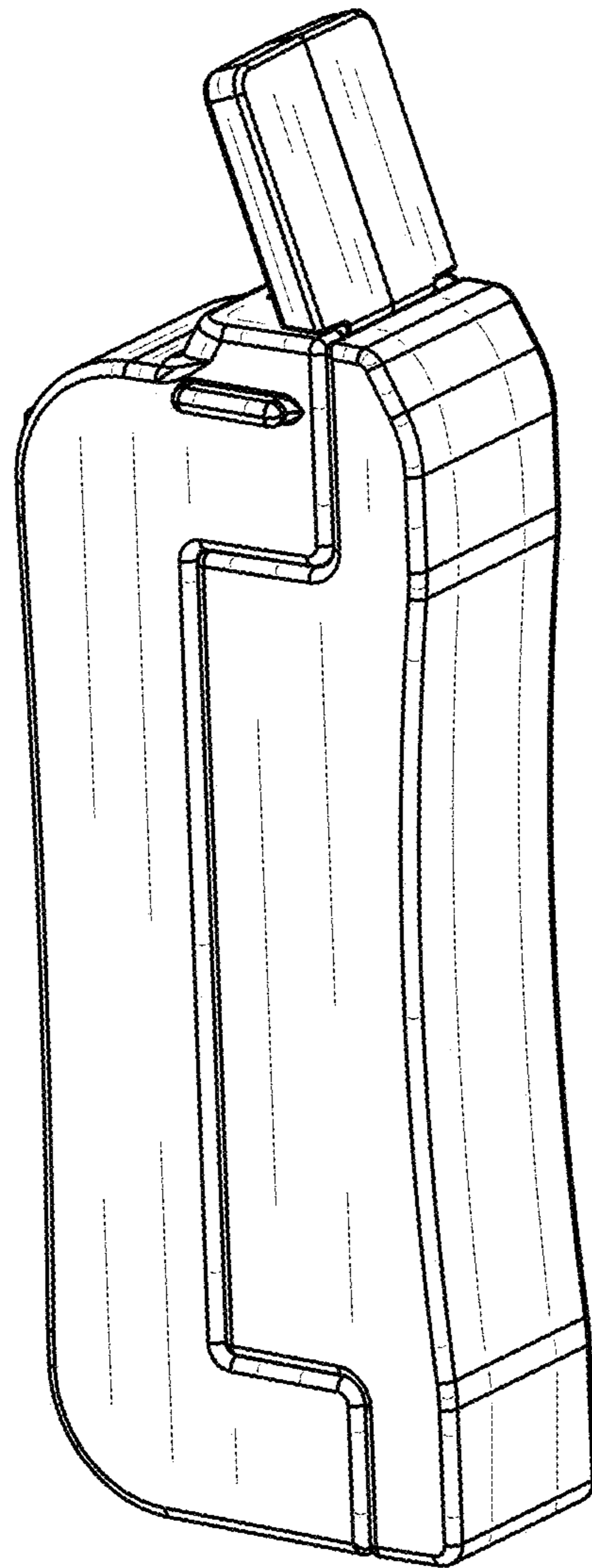


Fig. 1

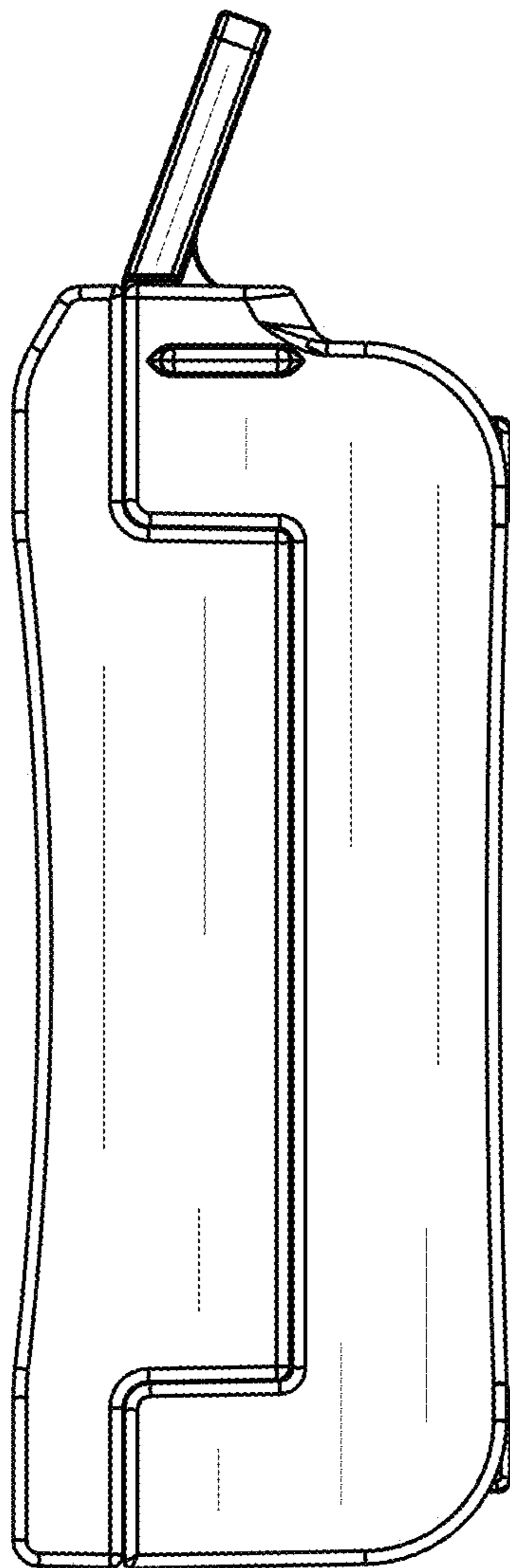


Fig. 2

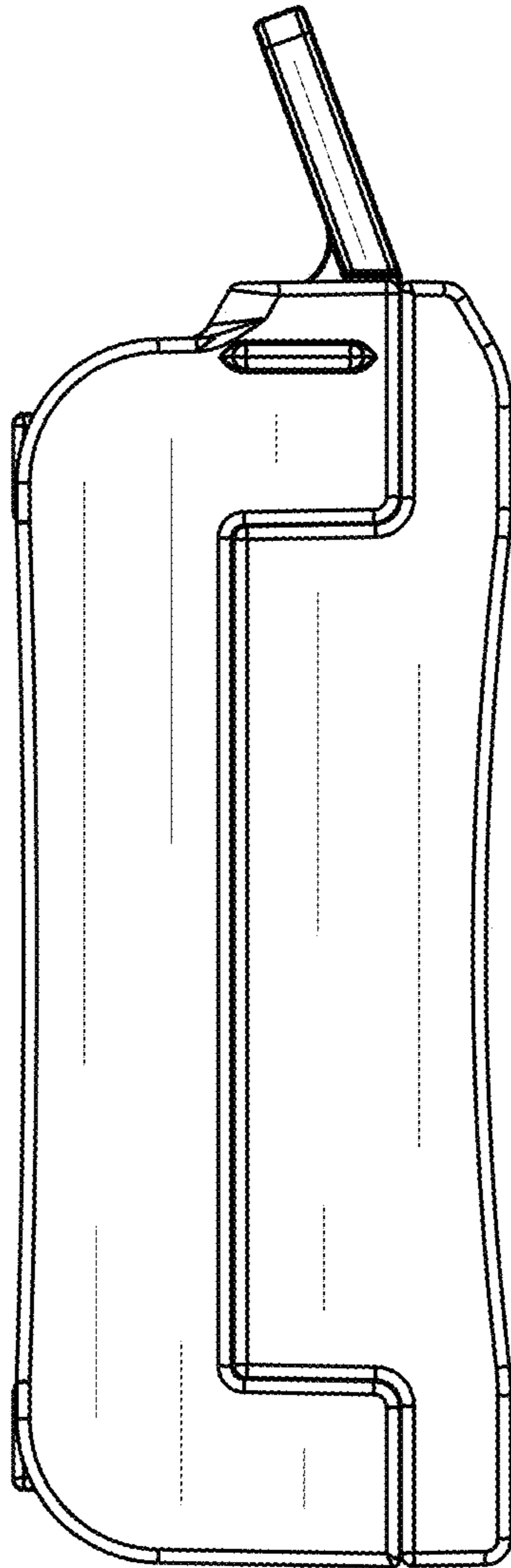


Fig. 3

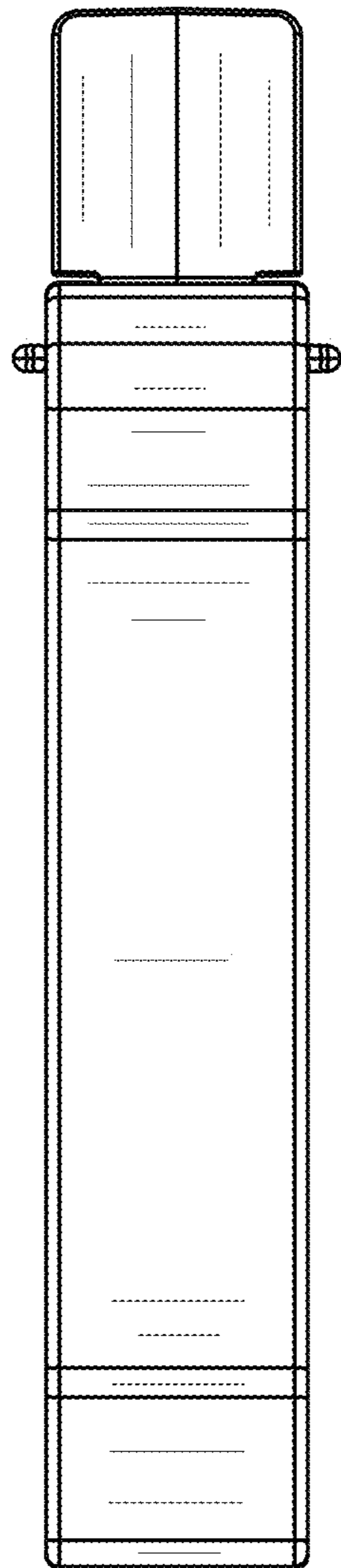


Fig. 4

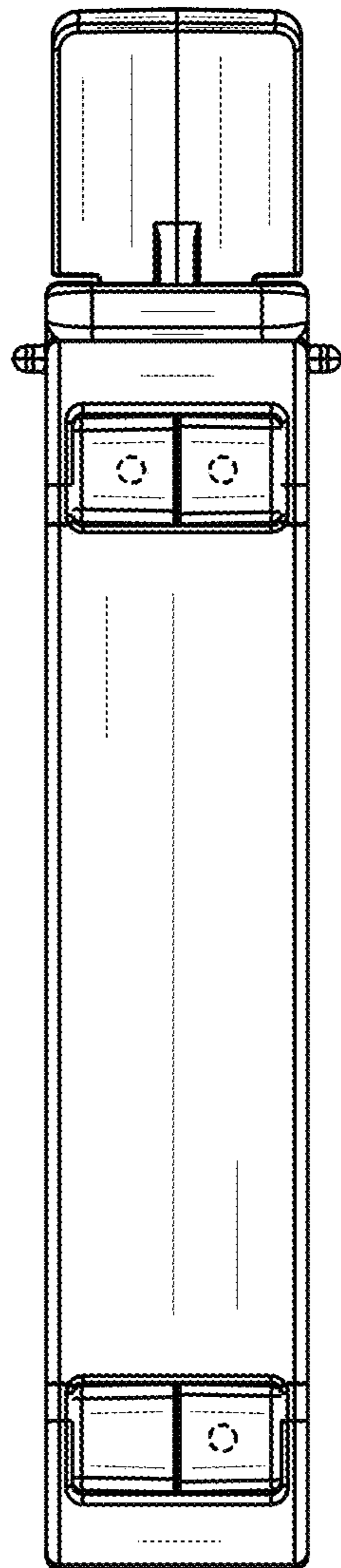


Fig. 5

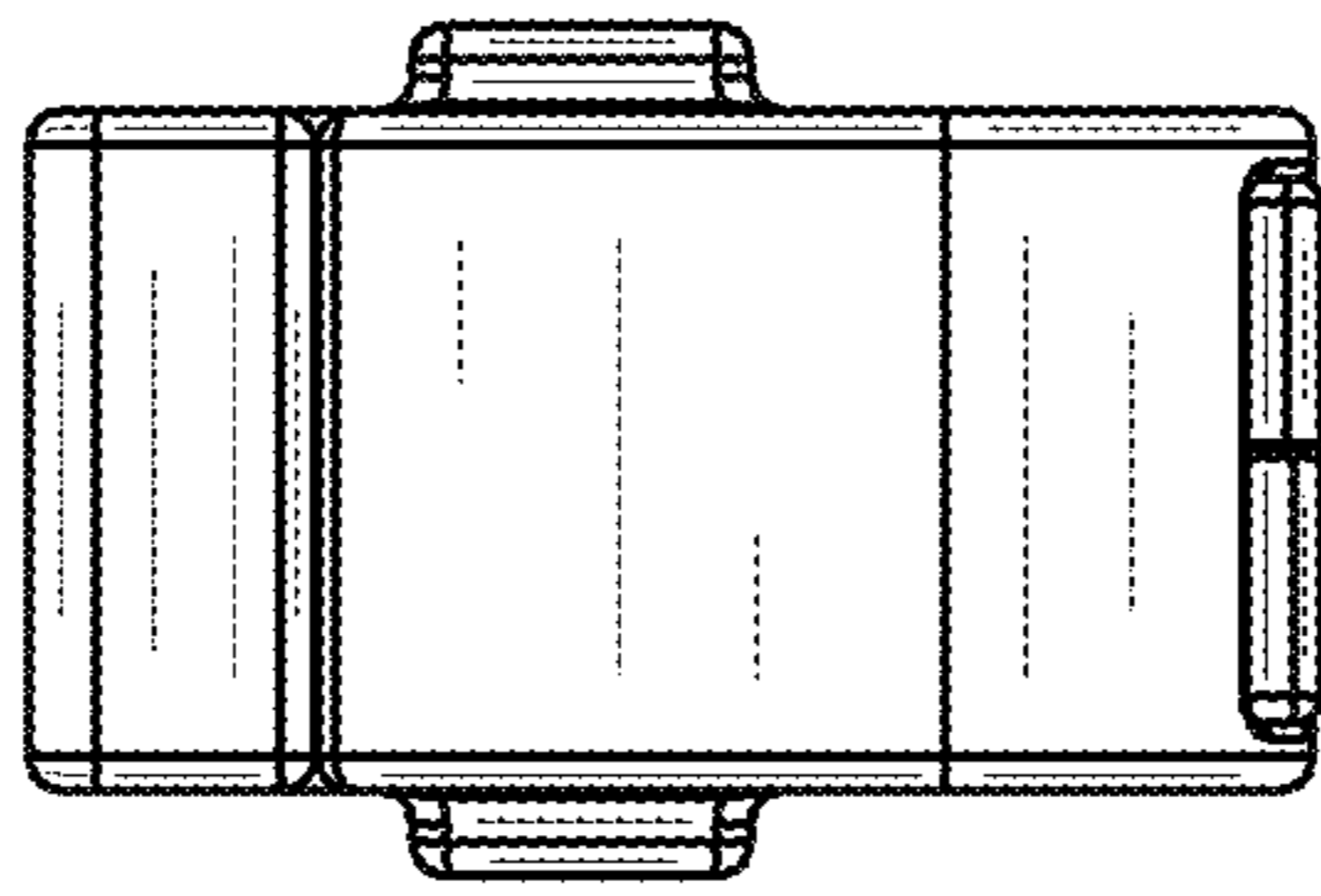


Fig. 6

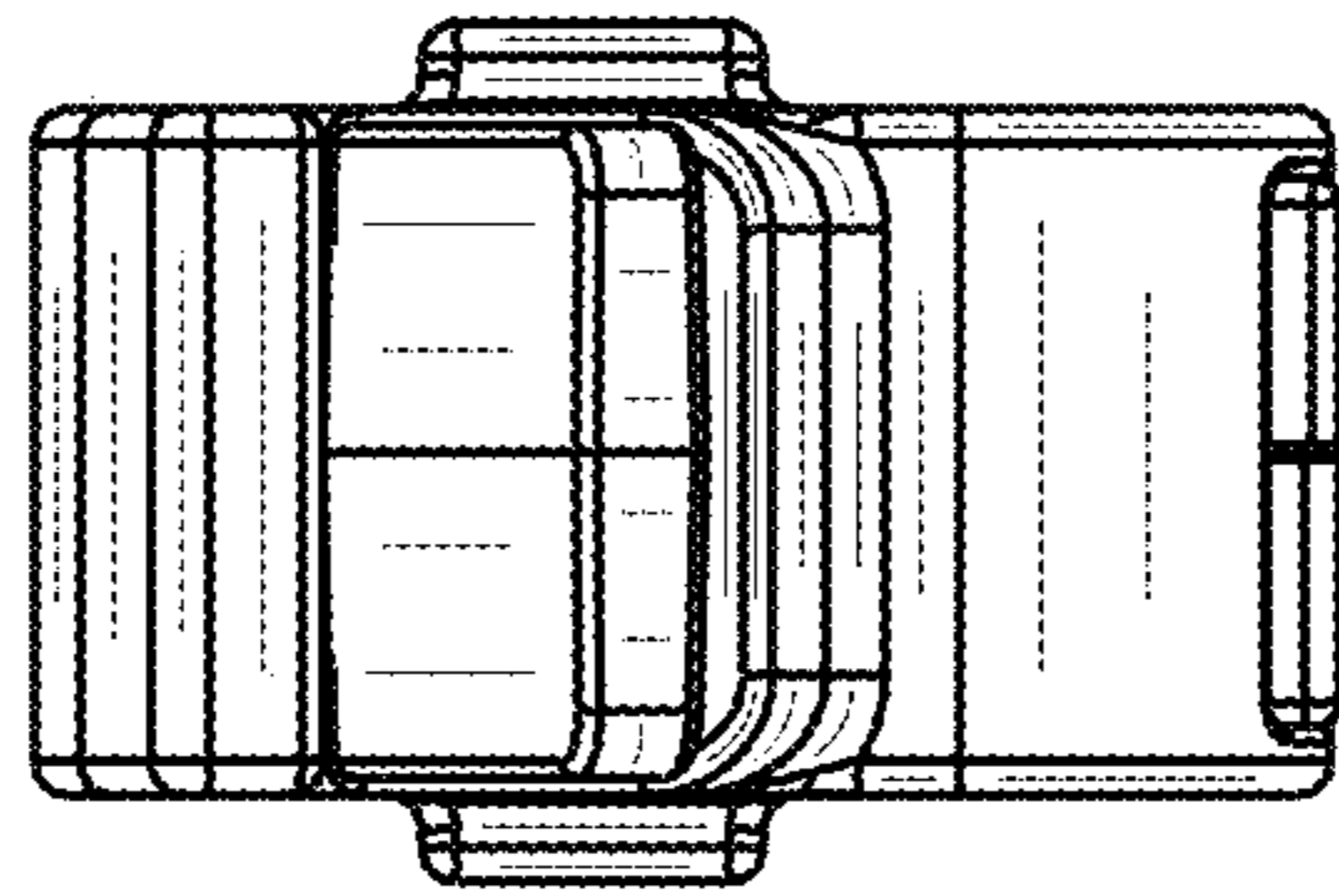


Fig. 7