



US00D895057S

(12) **United States Design Patent** (10) **Patent No.:** **US D895,057 S**  
**Arbetter** (45) **Date of Patent:** **\*\* Sep. 1, 2020**

(54) **FISHING LINE THREADING DEVICE**

(71) Applicant: **Jay Arbetter**, Dallas, TX (US)

(72) Inventor: **Jay Arbetter**, Dallas, TX (US)

(\*\*) Term: **15 Years**

(21) Appl. No.: **29/701,732**

(22) Filed: **Aug. 14, 2019**

(51) **LOC (12) Cl.** ..... **22-05**

(52) **U.S. Cl.**  
USPC ..... **D22/149**

(58) **Field of Classification Search**  
USPC ..... D22/149-150; 289/17; 43/4, 16, 25.2,  
43/44.83, 57.2  
CPC ..... A01K 87/007; A01K 91/04; A01K 97/06  
See application file for complete search history.

(56) **References Cited**

**U.S. PATENT DOCUMENTS**

3,265,422	A *	8/1966	Pierce	.....	A01K 91/04
					289/17
D231,454	S *	4/1974	Bloch	.....	D22/149
6,026,607	A *	2/2000	Bukowski	.....	A01K 91/04
					289/17
D617,866	S *	6/2010	Rustowicz	.....	D22/149
D636,176	S *	4/2011	Pelinsky	.....	D3/221
D820,945	S *	6/2018	Marchese	.....	D22/149
2002/0073603	A1	6/2002	Lefevre		
2008/0190010	A1	8/2008	Neal		
2017/0303521	A1	10/2017	Arbetter et al.		

**FOREIGN PATENT DOCUMENTS**

JP	08131032	A	5/1996
JP	0965801	A	3/1997

JP	2001346490	A	12/2001
JP	2008173021	A	7/2008
JP	2013116091	A	6/2013

\* cited by examiner

*Primary Examiner* — Catherine R Oliver-Garcia  
(74) *Attorney, Agent, or Firm* — Grady K. Bergen; Griggs Bergen LLP

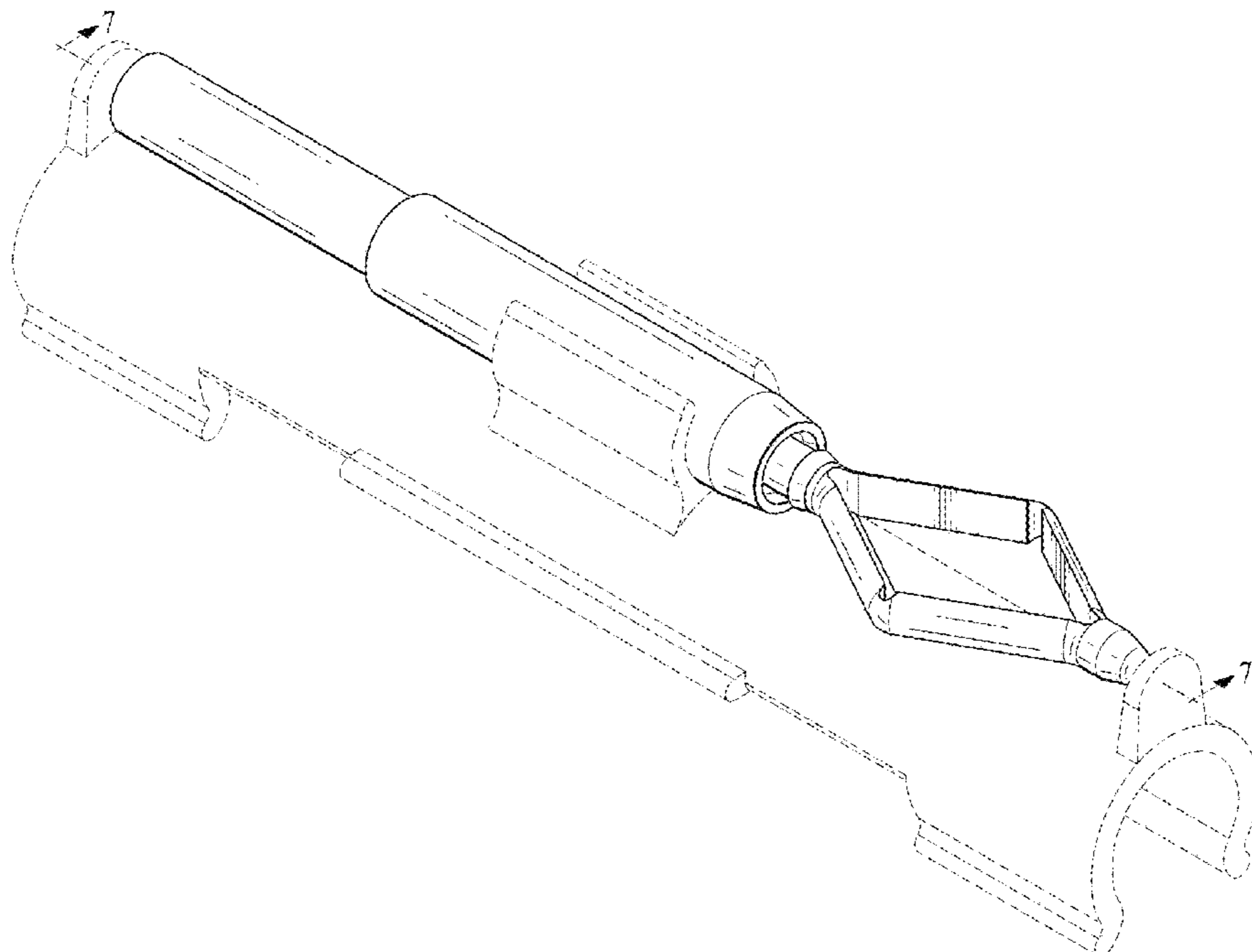
(57) **CLAIM**

The ornamental design for a fishing line threading device, as shown and described.

**DESCRIPTION**

FIG. 1 is a front perspective view of a fishing line threading device, shown with a gripping head extended from a sleeve of the fishing line threading device with the gripping head in an expanded configuration;  
FIG. 2 is a left side elevation view thereof;  
FIG. 3 is a front elevation view thereof;  
FIG. 4 is a top plan view thereof;  
FIG. 5 is a right side elevation view thereof;  
FIG. 6 is a rear elevation view thereof;  
FIG. 7 is a top plan view thereof, shown with the gripping head withdrawn into the sleeve, which is shown in cross section taken along the lines 7-7 of FIG. 1, with the gripping head in a contracted configuration within the sleeve; and,  
FIG. 8 is an exploded perspective view thereof.  
The broken lines depict environmental structure and are for illustrative purposes only and form no part of the claimed design.

**1 Claim, 7 Drawing Sheets**



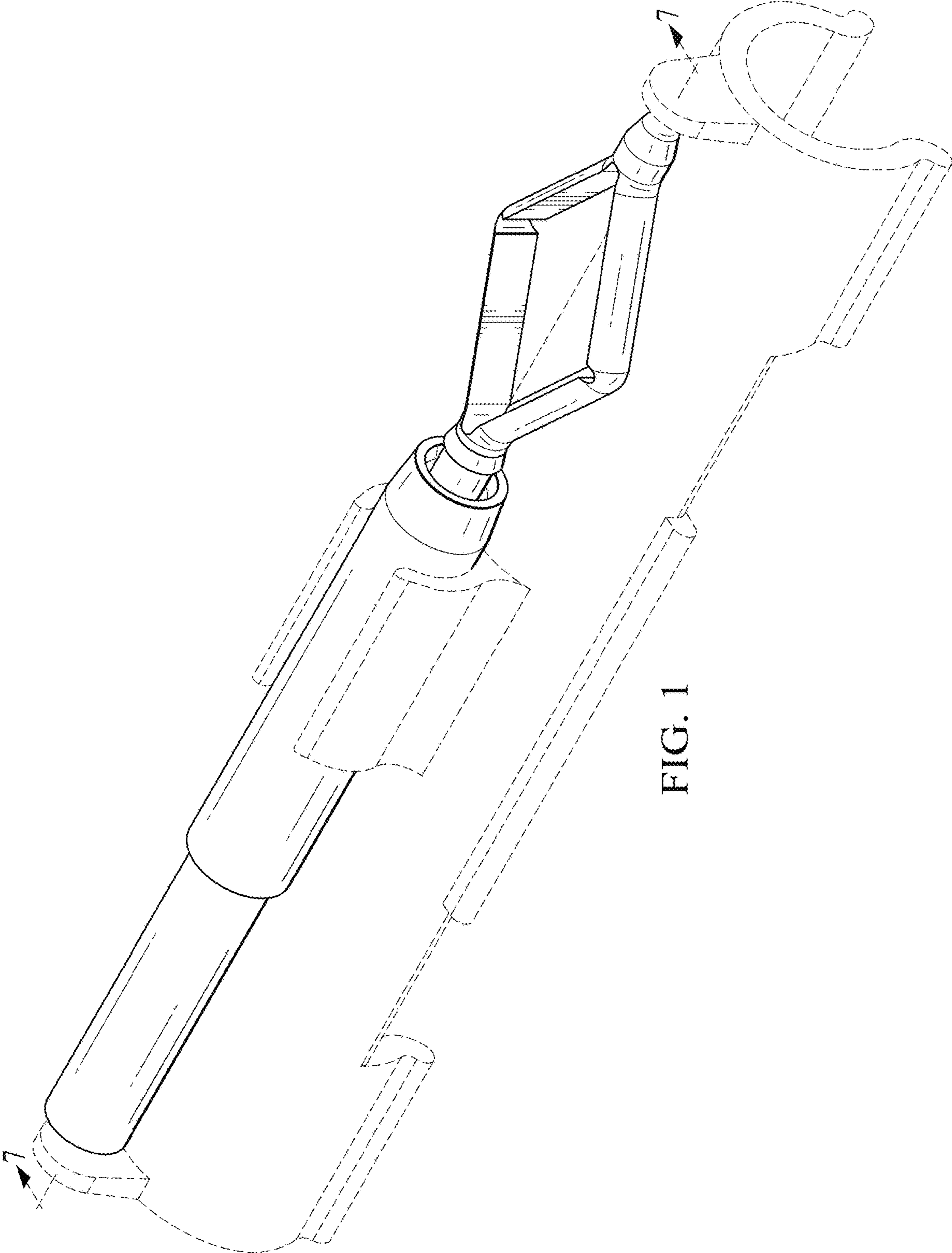


FIG. 1

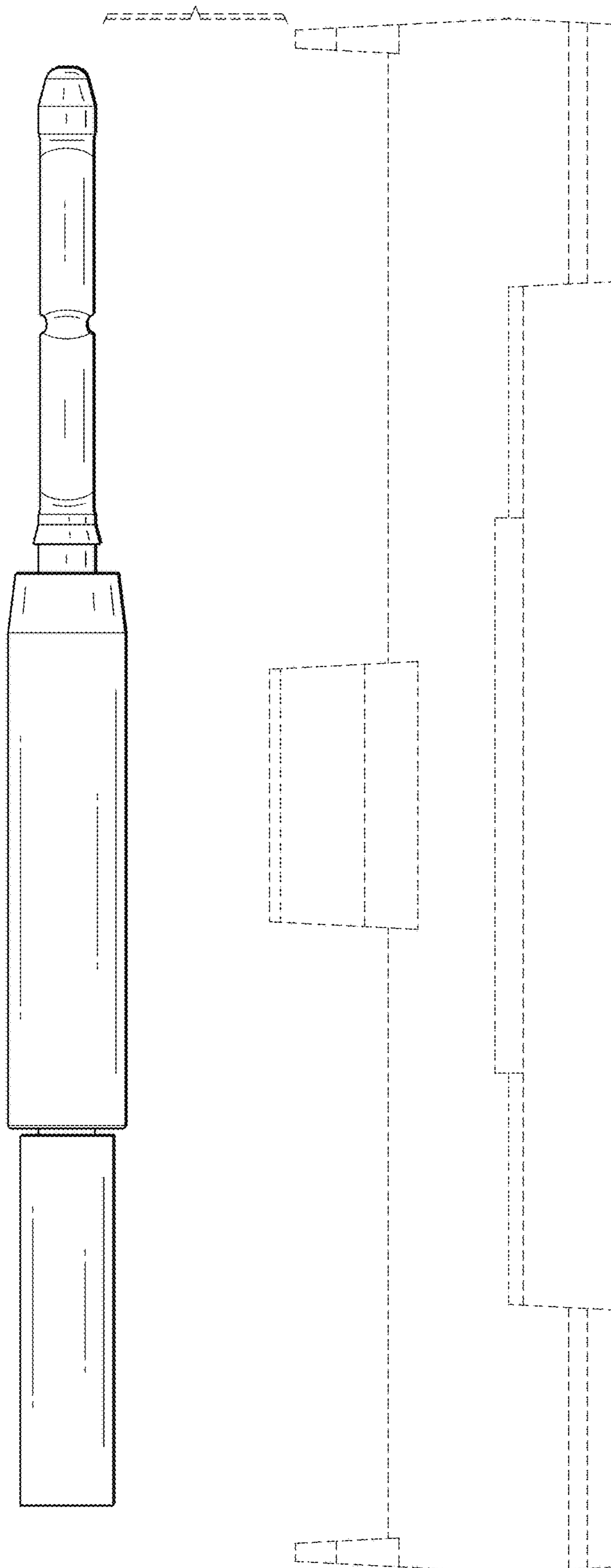


FIG. 2

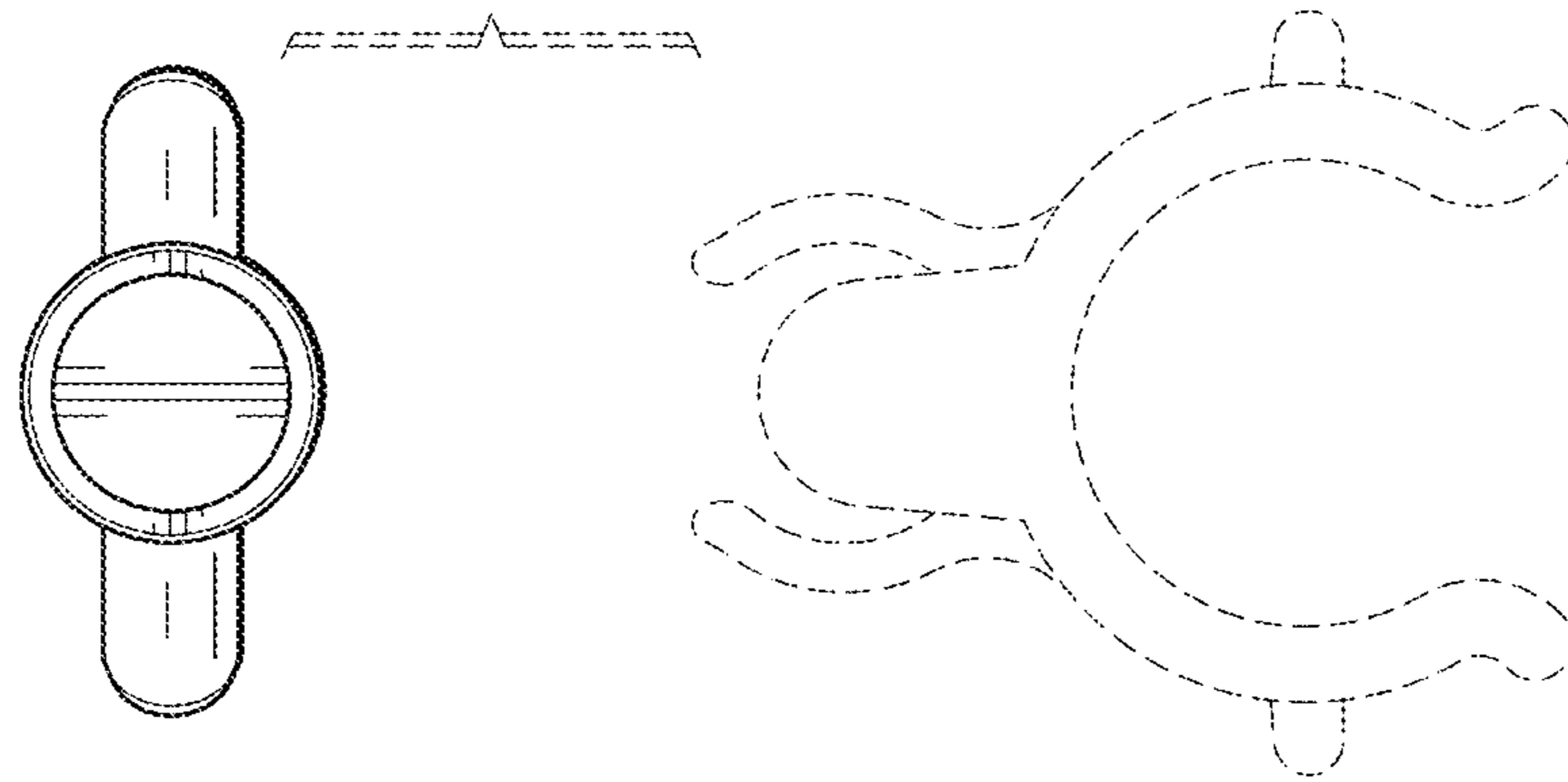


FIG. 6

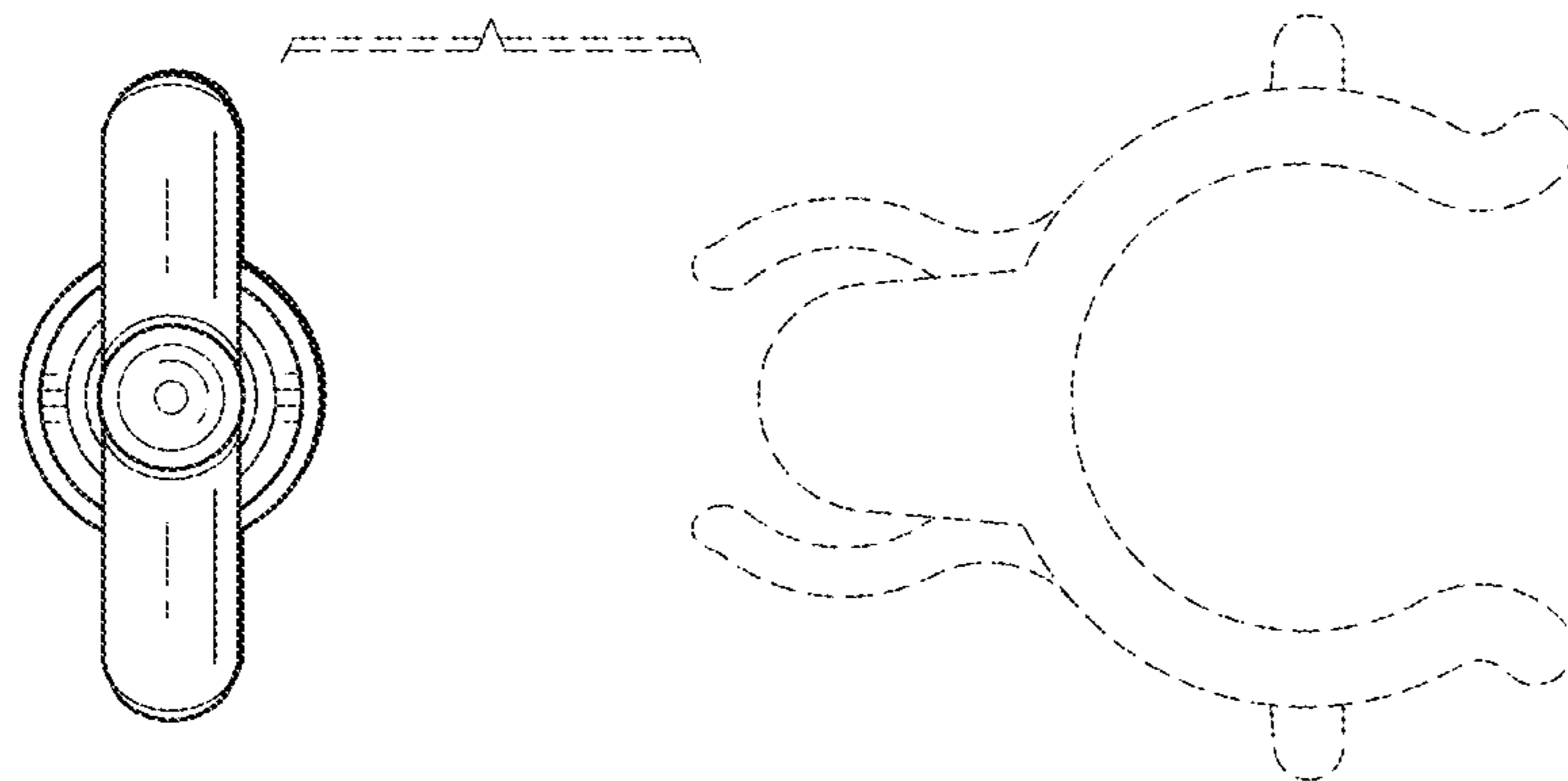


FIG. 3

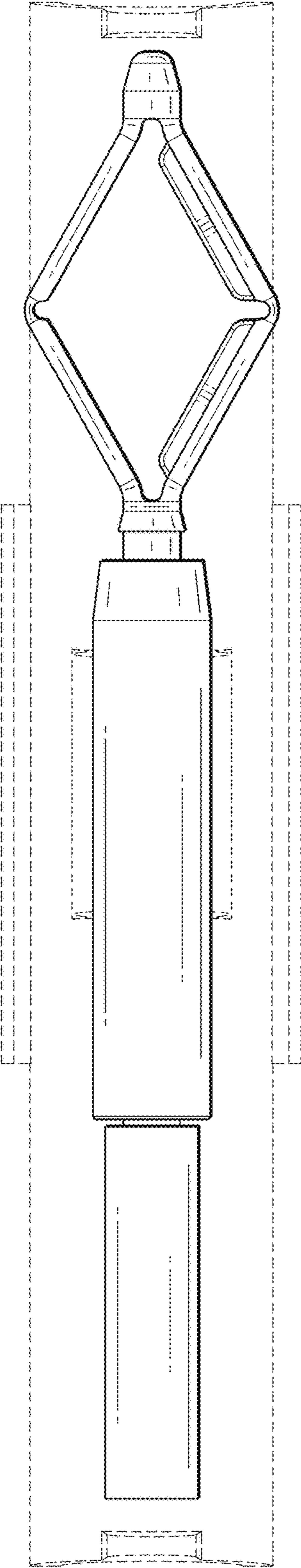


FIG. 4

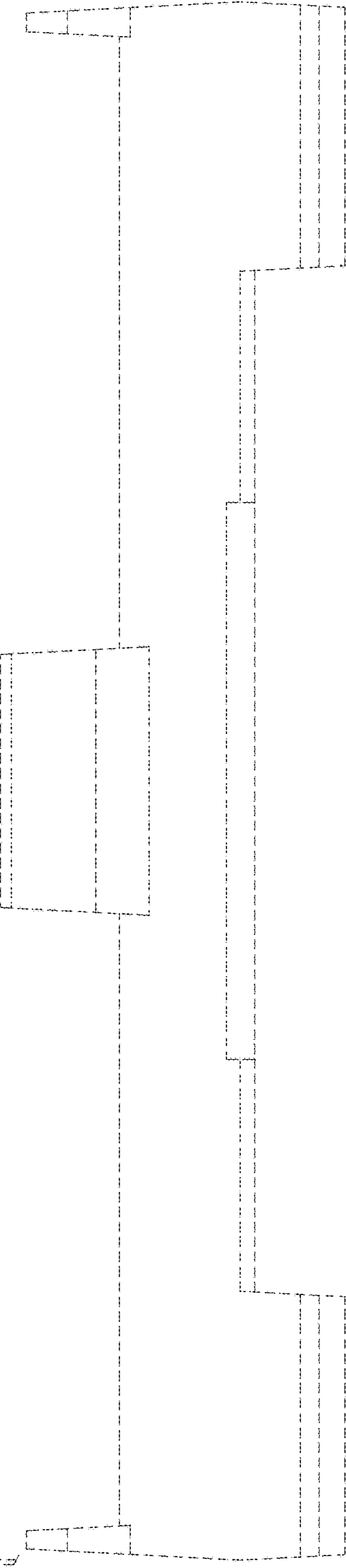
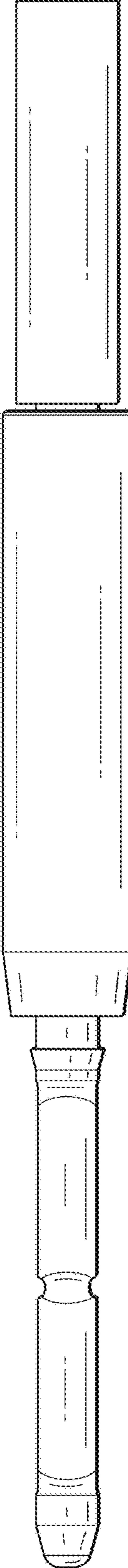


FIG. 5

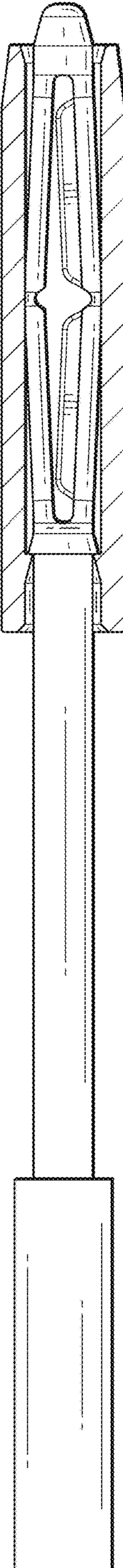


FIG. 7

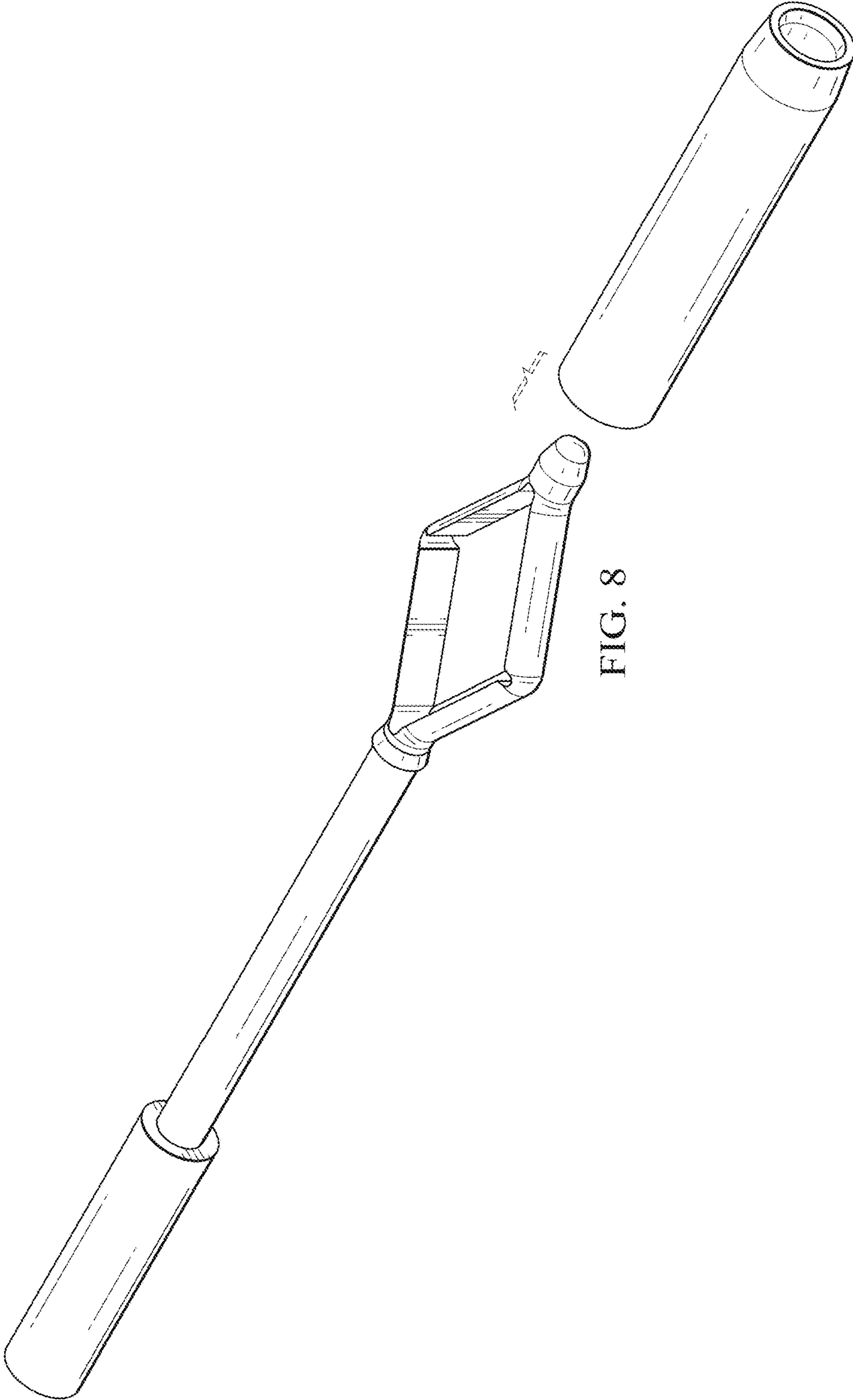


FIG. 8