



US00D895054S

(12) **United States Design Patent**  
**Moyer**

(10) **Patent No.:** **US D895,054 S**

(45) **Date of Patent:** **\*\* Sep. 1, 2020**

(54) **TARGET HANGER**

(71) Applicant: **Evan Joseph Moyer**, Center City, MN (US)

(72) Inventor: **Evan Joseph Moyer**, Center City, MN (US)

(\*\*) Term: **15 Years**

(21) Appl. No.: **29/694,696**

(22) Filed: **Jun. 12, 2019**

(51) **LOC (12) Cl.** ..... **22-04**

(52) **U.S. Cl.**  
USPC ..... **D22/113**

(58) **Field of Classification Search**

USPC ..... D22/100, 101, 103, 104, 108, 109, 110, D22/111, 115, 116, 199, 113; D21/567, D21/573, 574, 302, 303, 304, 306  
CPC ... F41G 1/30; F41G 1/42; F41G 11/00; F41G 11/001; F41C 7/00; F41C 3/005; F41C 23/04; F41C 23/10

See application file for complete search history.

(56) **References Cited**

**U.S. PATENT DOCUMENTS**

5,676,378	A *	10/1997	West	.....	F41J 1/10 273/390
5,851,001	A *	12/1998	Dicke	.....	E01F 9/629 248/519
D453,038	S *	1/2002	Scott	.....	D22/113
D708,697	S *	7/2014	Achten	.....	D22/199
D787,009	S *	5/2017	Carpenter	.....	D22/113
D815,240	S *	4/2018	Holmberg	.....	D22/113
D815,241	S *	4/2018	Woller	.....	D22/113
D841,760	S *	2/2019	Schwend	.....	D22/113
D847,936	S *	5/2019	Tension	.....	D22/113
D874,604	S *	2/2020	Gee	.....	D22/113
2017/0343324	A1 *	11/2017	Fernandez	.....	F41J 7/00
2018/0058827	A1 *	3/2018	Urban	.....	F41J 1/10

**OTHER PUBLICATIONS**

“Steel Target Hanger, T Post AR500 / A36 Plate Mount” [online]. Dire Systems. [Date First Available Oct. 3, 2016]. Retrieved from the Internet: <<https://www.amazon.com/Steel-Target-Hanger-AR500-Plate/dp/B01M1MRSN3>>.\*

(Continued)

*Primary Examiner* — Khawaja Anwar

*Assistant Examiner* — Mojtaba Tehrani

(74) *Attorney, Agent, or Firm* — Michael A. Mochinski

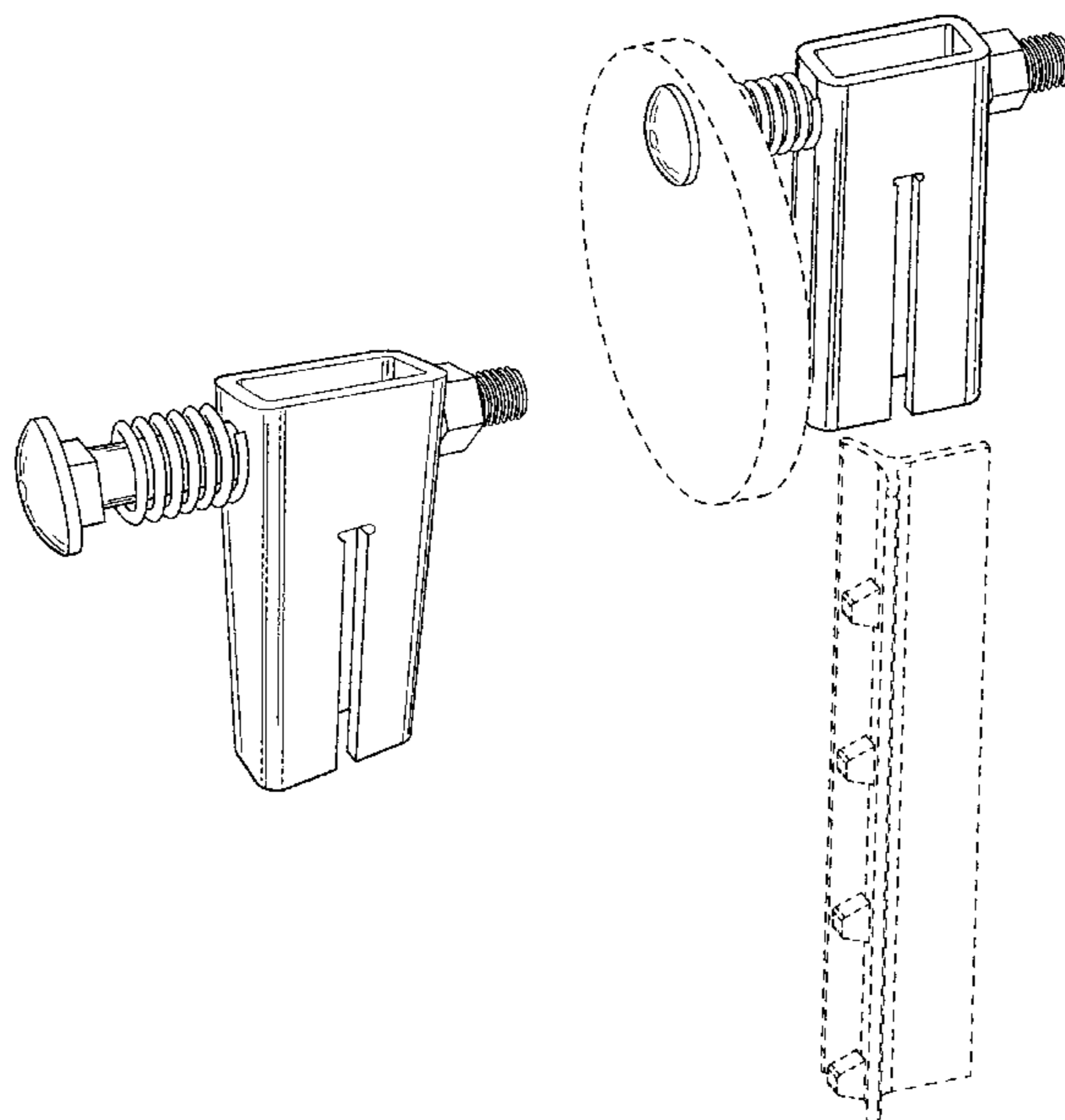
(57) **CLAIM**

I claim the ornamental design for a target hanger, as shown and described.

**DESCRIPTION**

FIG. 1 is a right side perspective view of a target hanger showing my new design;  
FIG. 2 is a front elevational view thereof;  
FIG. 3 is a back elevational view thereof;  
FIG. 4 is a left side elevational thereof;  
FIG. 5 is a right side elevational view thereof;  
FIG. 6 is a top plan view thereof;  
FIG. 7 is a bottom plan view thereof;  
FIG. 8 is a cross sectional view thereof taken along line 8-8 of FIG. 4;  
FIG. 9 is a cross sectional view thereof taken along line 9-9 of FIG. 2; and,  
FIG. 10 is a right side perspective view thereof shown equipped with a target plate and being positioned above a T-post.  
The ornamental design which is claimed is shown in solid lines in the drawings: The broken lines showing representation of the target plate and T-post in FIG. 10 is for illustrative purposes only and forms no part of the claimed design.

**1 Claim, 6 Drawing Sheets**



(56)

**References Cited**

## OTHER PUBLICATIONS

“Highwild T-Post Target Hanger—T Post 2×4 Bracket Target Mount—AR500 Steel Gong Targets Conversion Adapter” [online]. Highwild. [Retrieved on Jun. 2, 2020]. Retrieved from the Internet: <<https://www.amazon.com/Highwild-Post-Target-Hanger-Pack/dp/B07P949FPQ>>.\*

“Reversible AR500 T-Post Target Hanger”. [online]. tier1targets.net. [Retrieved on Jun. 2, 2020]. Retrieved from the Internet: <<https://tier1targets.net/product/reversible-ar500-t-post-target-hanger/>>.\*

Target Hanger Offered by [www.xsteeltargets.com](http://www.xsteeltargets.com), Published Mar 31, 2015 <https://www.youtube.com/watch?v=liorxwa-98E> (@ time 4:48).

Pistol Target Offered by [www.shootsteel.com](http://www.shootsteel.com), Published Sep 1, 2016 <https://www.youtube.com/watch?v=dUHlneDO7A0> (@ time 2:30).

Target Hanger Offered by [www.ctstargets.com](http://www.ctstargets.com), Published Aug 7, 2017 [https://www.youtube.com/watch?v=rw\\_D0wjSgyl](https://www.youtube.com/watch?v=rw_D0wjSgyl) (@ time 0:16).

Target Hanger Offered by [www.ctstargets.com](http://www.ctstargets.com), Published Jun 2, 2017 <https://www.youtube.com/watch?v=sKmNBaJKs6E> (@ time 0:16).

Target Hanger Offered by [www.mkmachining.com](http://www.mkmachining.com), Published Aug 27, 2016 <https://www.youtube.com/watch?v=Gt7VWbvFj5A> (@ time 0:07)).

Target Hanger Offered by [www.sitargets.com](http://www.sitargets.com), Published Sep 19, 2016 <https://www.youtube.com/watch?v=eBEXDFabGZ0> (@ time 0:40).

\* cited by examiner

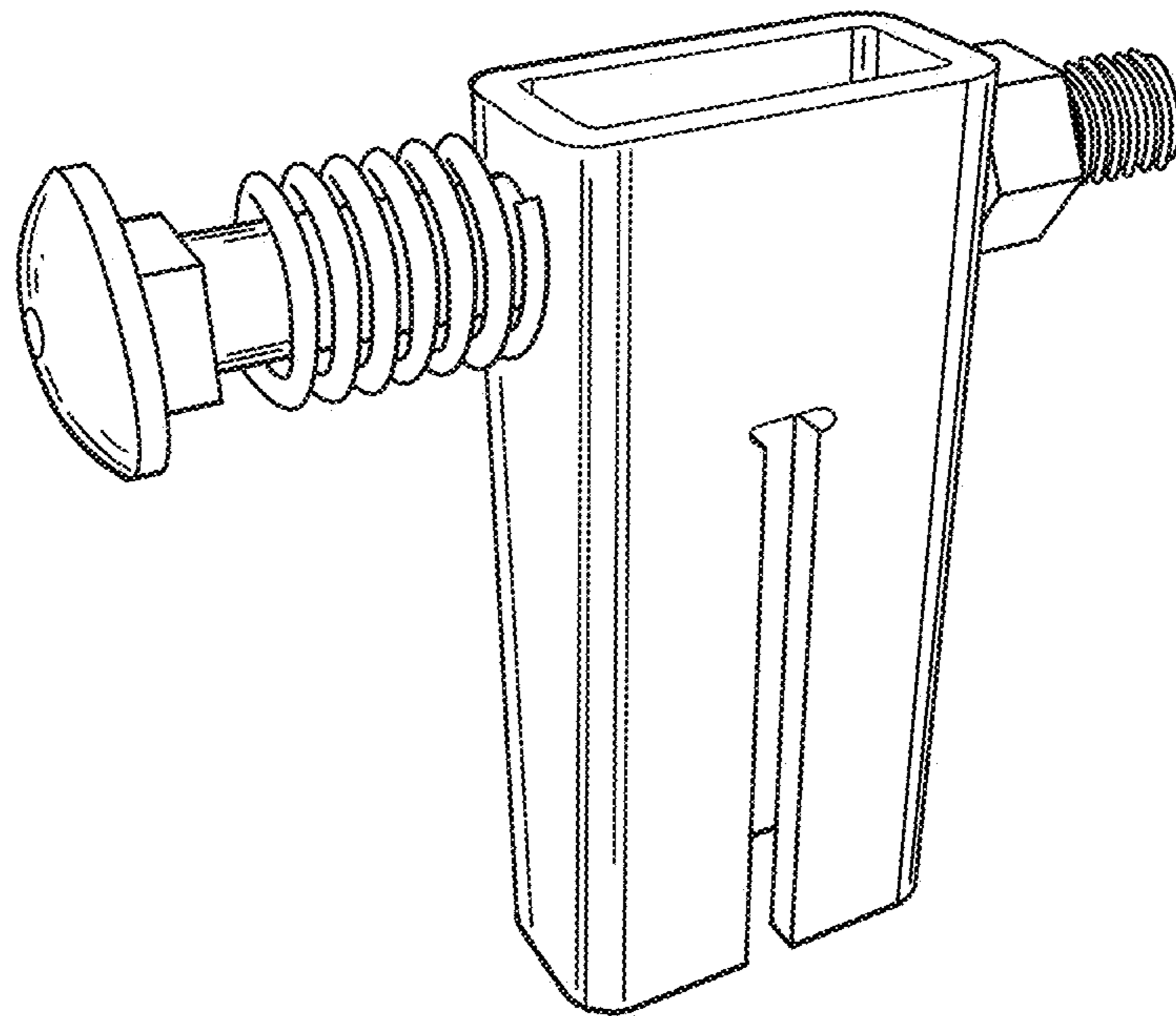


FIG. 1

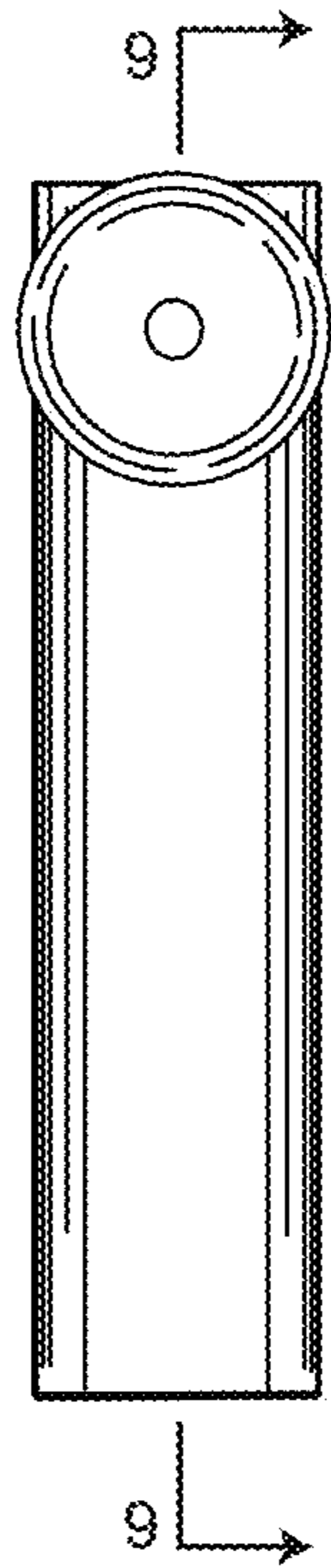


FIG. 2

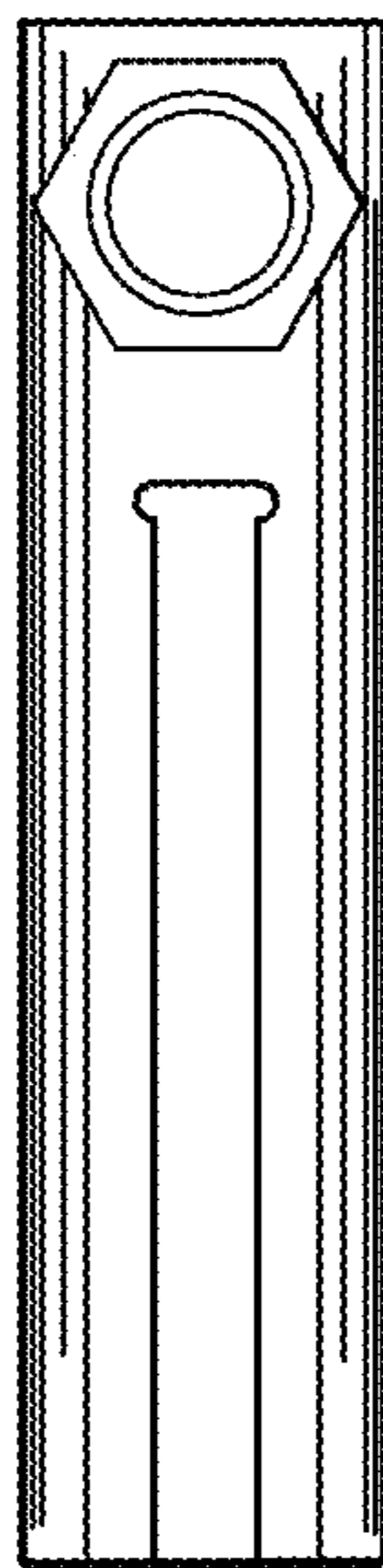


FIG. 3

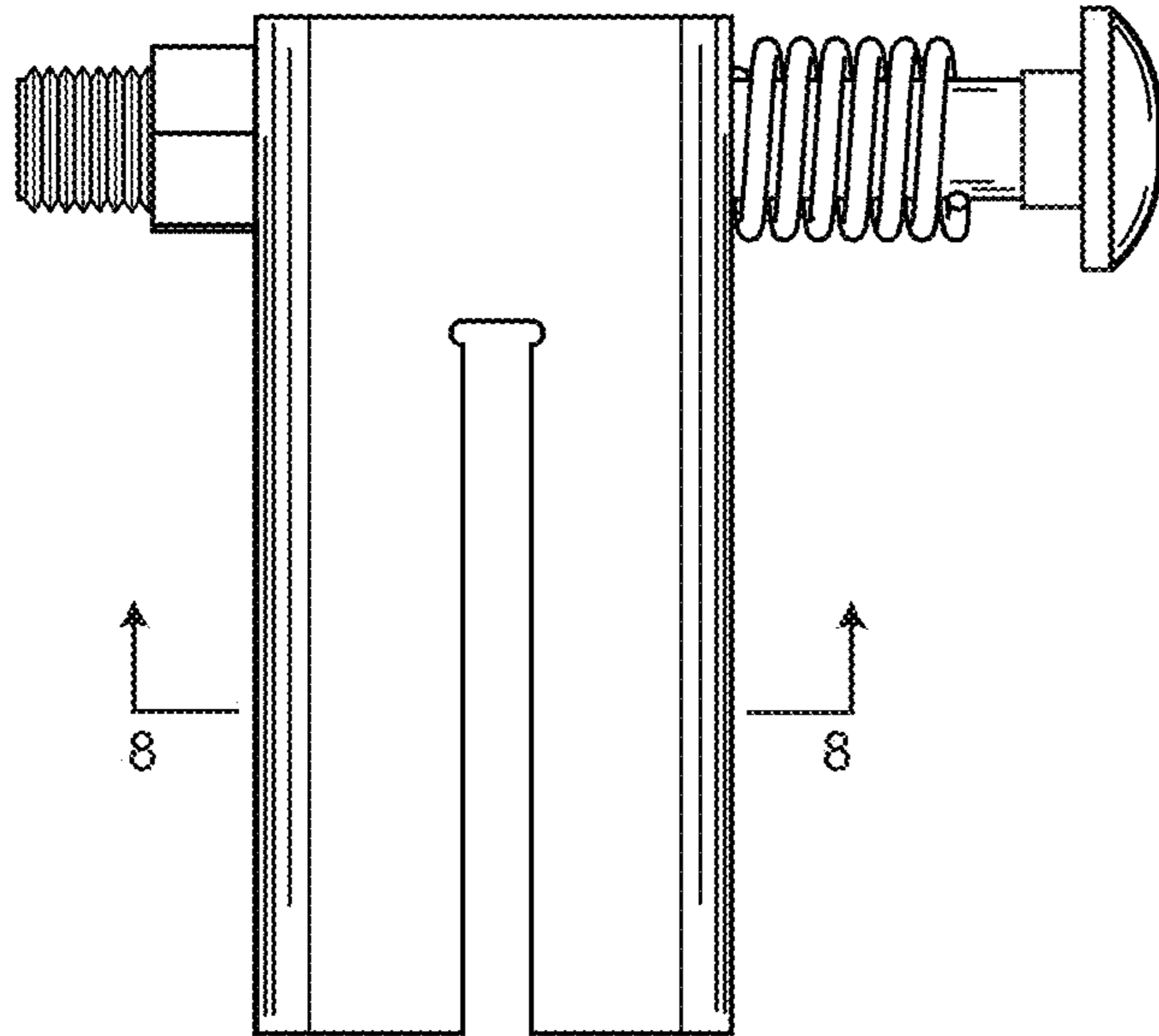


FIG. 4

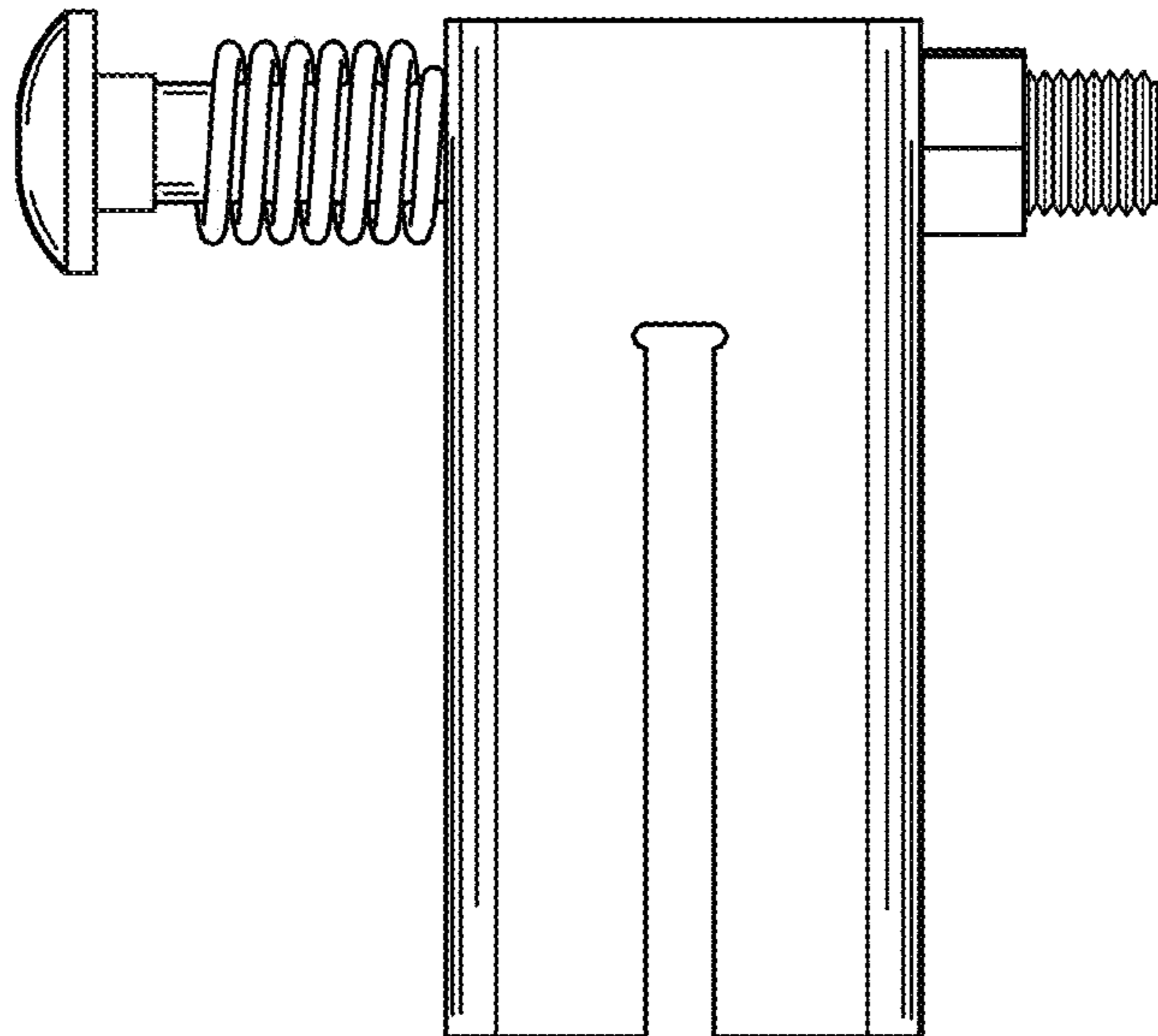


FIG. 5

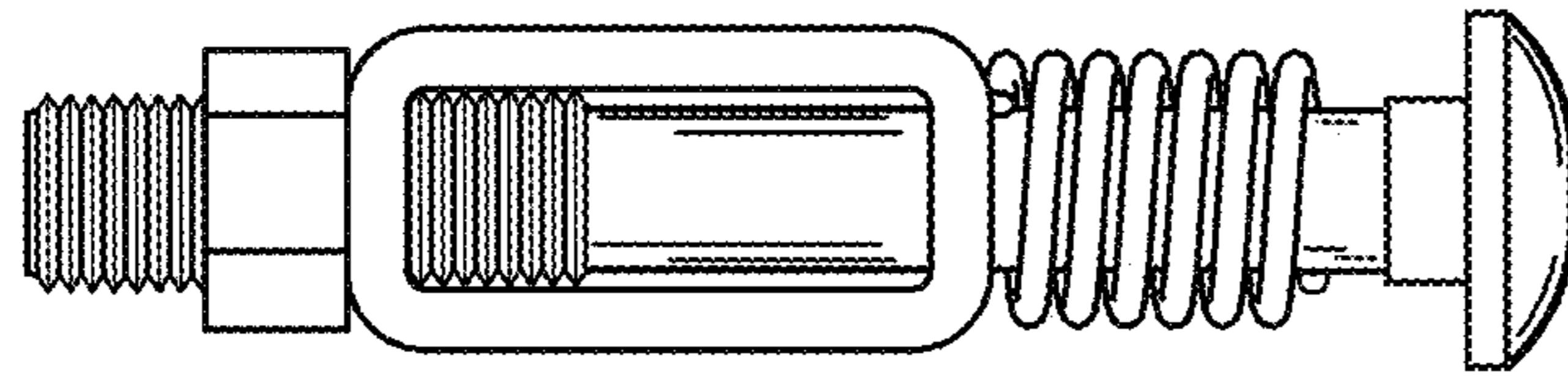


FIG. 6

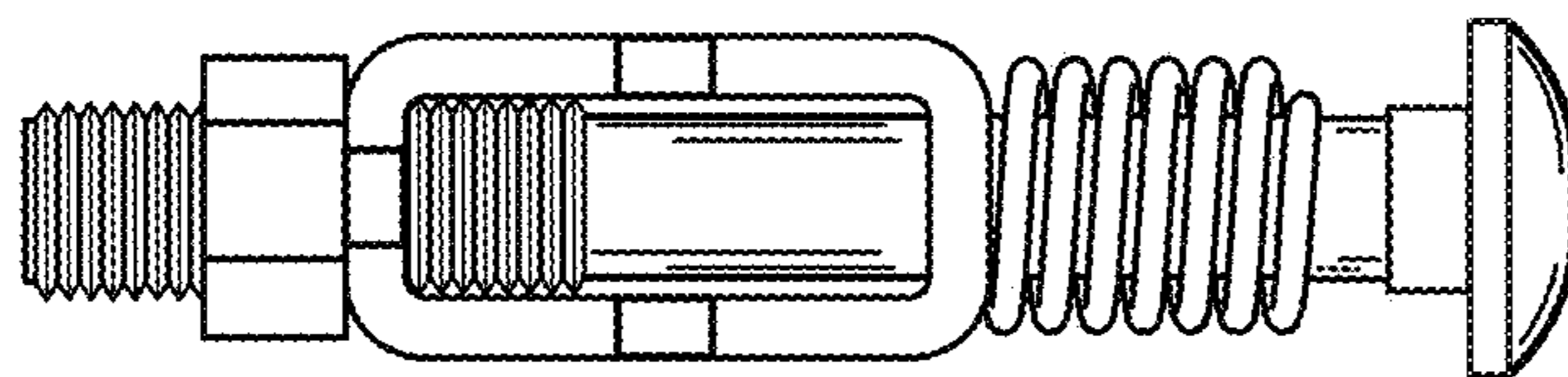


FIG. 7

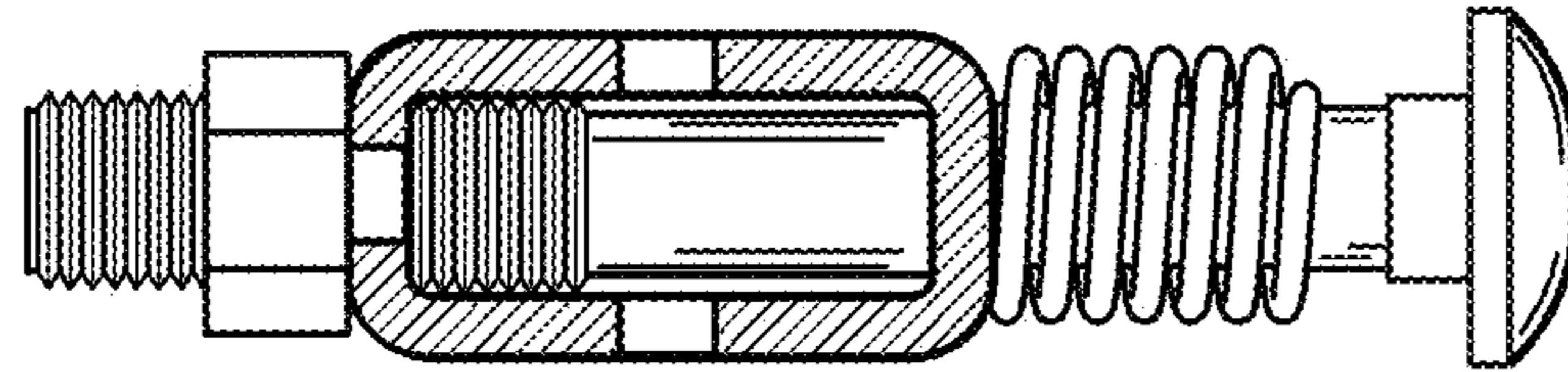


FIG. 8

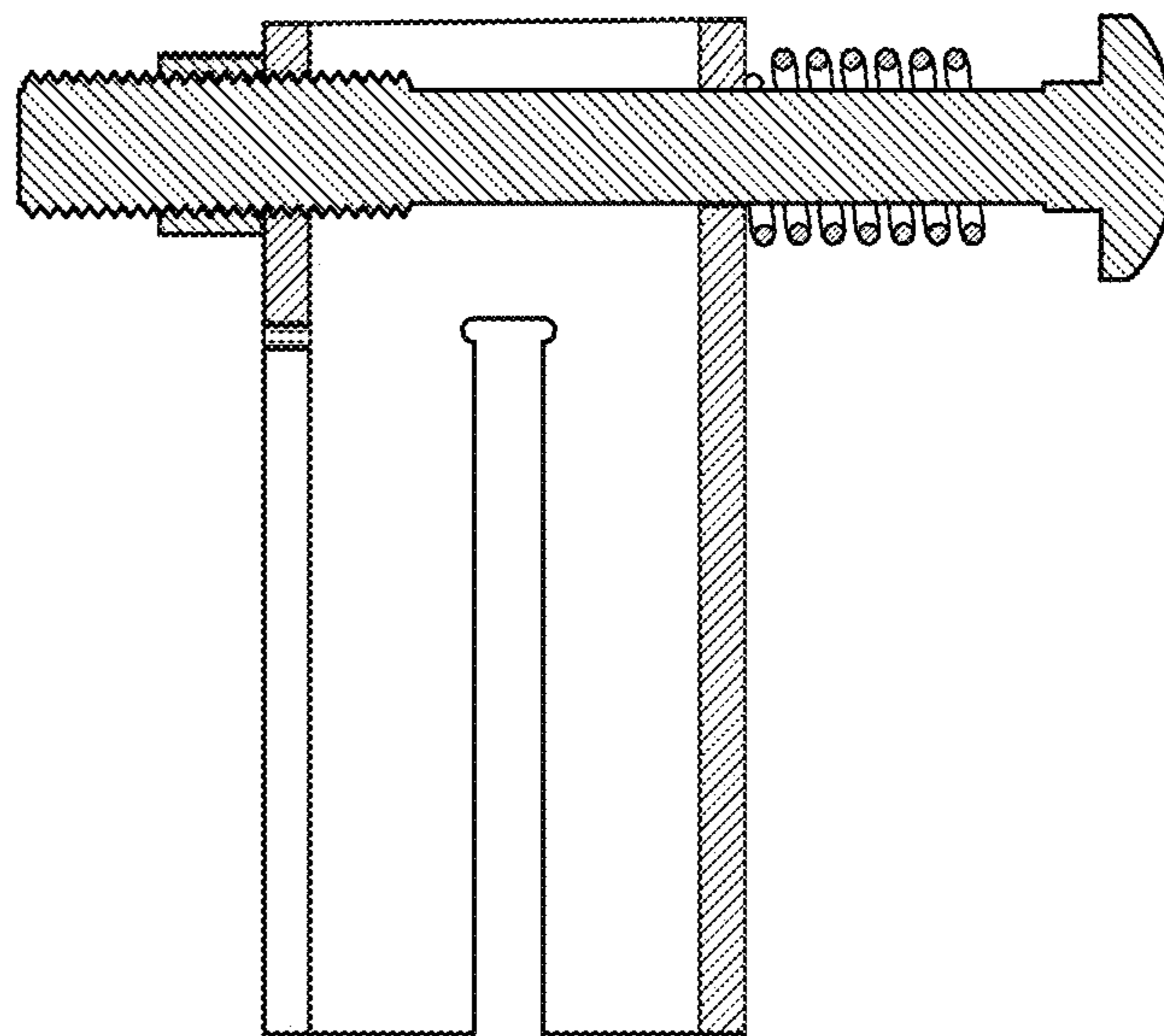


FIG. 9

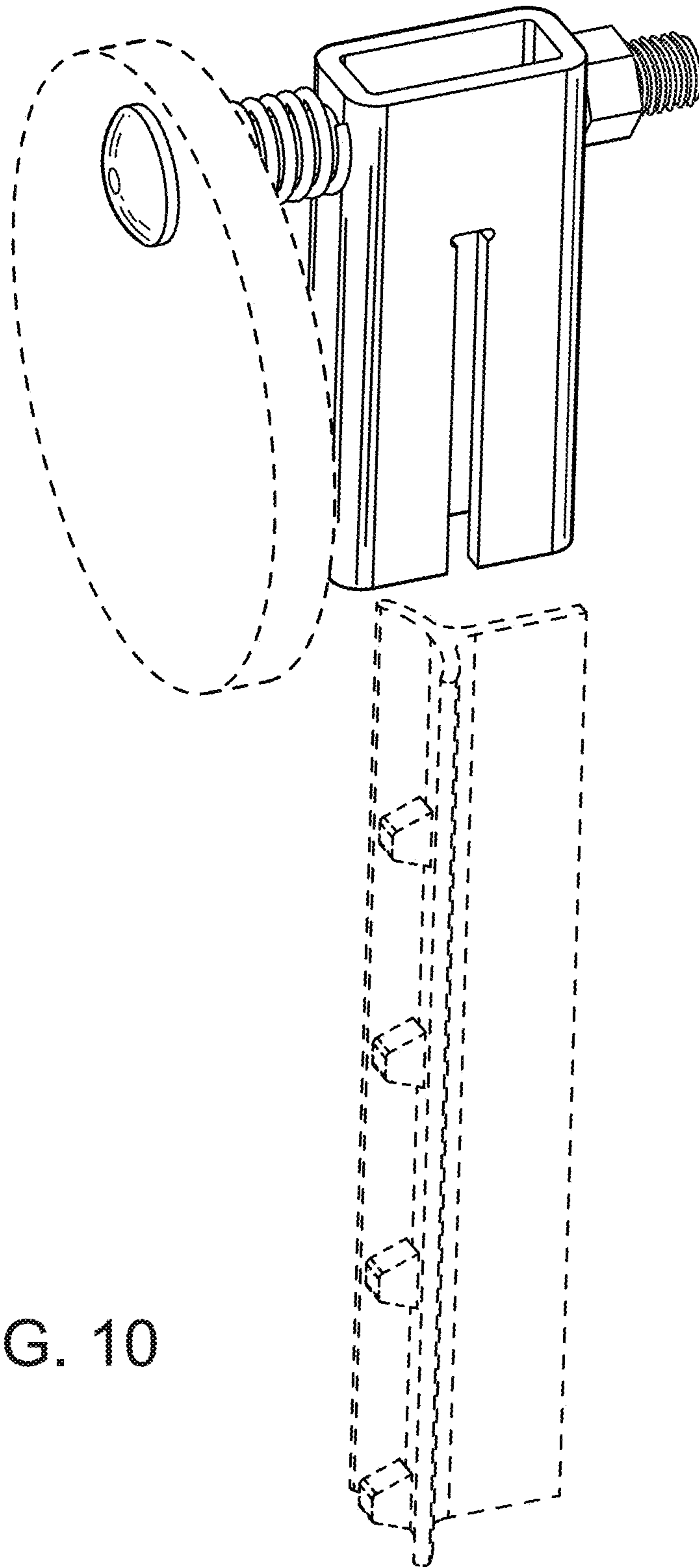


FIG. 10