



US00D895053S

(12) **United States Design Patent**  
**Warren**

(10) **Patent No.:** **US D895,053 S**

(45) **Date of Patent:** **\*\* Sep. 1, 2020**

(54) **FIREARM SIGHT**

(71) Applicant: **Scott M. Warren**, Montclair, VA (US)

(72) Inventor: **Scott M. Warren**, Montclair, VA (US)

(\*\*) Term: **15 Years**

(21) Appl. No.: **29/674,962**

(22) Filed: **Dec. 27, 2018**

(51) **LOC (12) Cl.** ..... **22-01**

(52) **U.S. Cl.**  
USPC ..... **D22/109**

(58) **Field of Classification Search**  
USPC ..... D22/100, 103, 104, 105, 108, 109, 110,  
D22/111, 199; D21/567, 573, 574, 575  
(Continued)

(56) **References Cited**

**U.S. PATENT DOCUMENTS**

36,760 A 10/1862 Allen  
404,599 A 6/1889 Carver  
(Continued)

**FOREIGN PATENT DOCUMENTS**

FR 536296 A 4/1922  
FR 1080321 A 12/1954  
(Continued)

**OTHER PUBLICATIONS**

U.S. Appl. No. 15/978,431, filed May 14, 2018, Scott M. Warren.  
(Continued)

*Primary Examiner* — Khawaja Anwar

*Assistant Examiner* — Mojtaba Tehrani

(74) *Attorney, Agent, or Firm* — Foley & Lardner LLP

(57) **CLAIM**

I claim the ornamental design for a firearm sight, as shown and described.

**DESCRIPTION**

FIG. 1 is a first perspective view of an embodiment of the claimed design;

FIG. 2 is a second perspective view of the claimed design shown in FIG. 1;

FIG. 3 is a front view of the claimed design shown in FIG. 1;

FIG. 4 is a rear view of the claimed design shown in FIG. 1;

FIG. 5 is a first side view of the claimed design shown in FIG. 1;

FIG. 6 is a second side view of the claimed design shown in FIG. 1;

FIG. 7 is a top view of the claimed design shown in FIG. 1;

FIG. 8 is a bottom view of the claimed design shown in FIG. 1;

FIG. 9 is a first perspective view of another embodiment of the claimed design;

FIG. 10 is a second perspective view of the claimed design shown in FIG. 9;

FIG. 11 is a front view of the claimed design shown in FIG. 9;

FIG. 12 is a rear view of the claimed design shown in FIG. 9;

FIG. 13 is a first side view of the claimed design shown in FIG. 9;

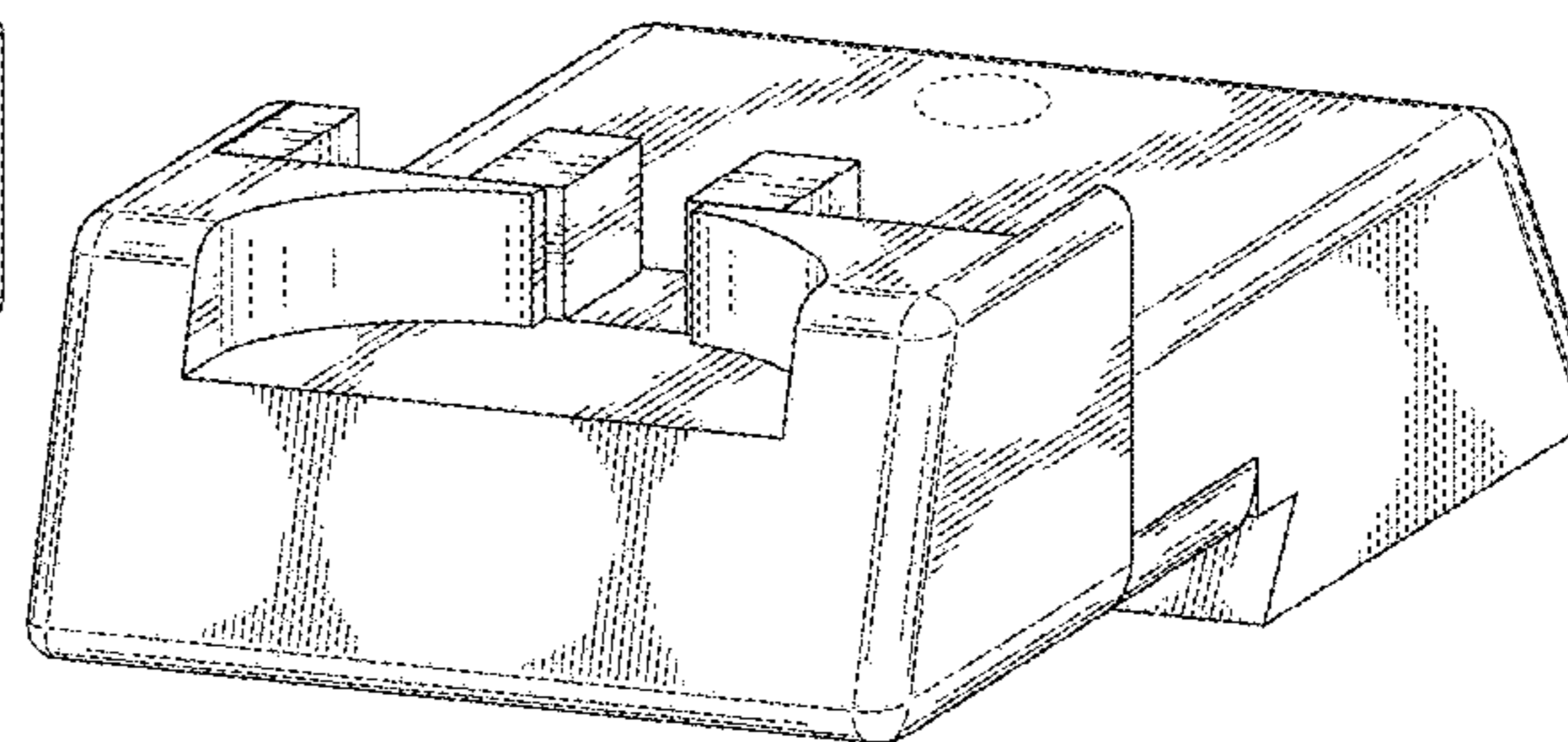
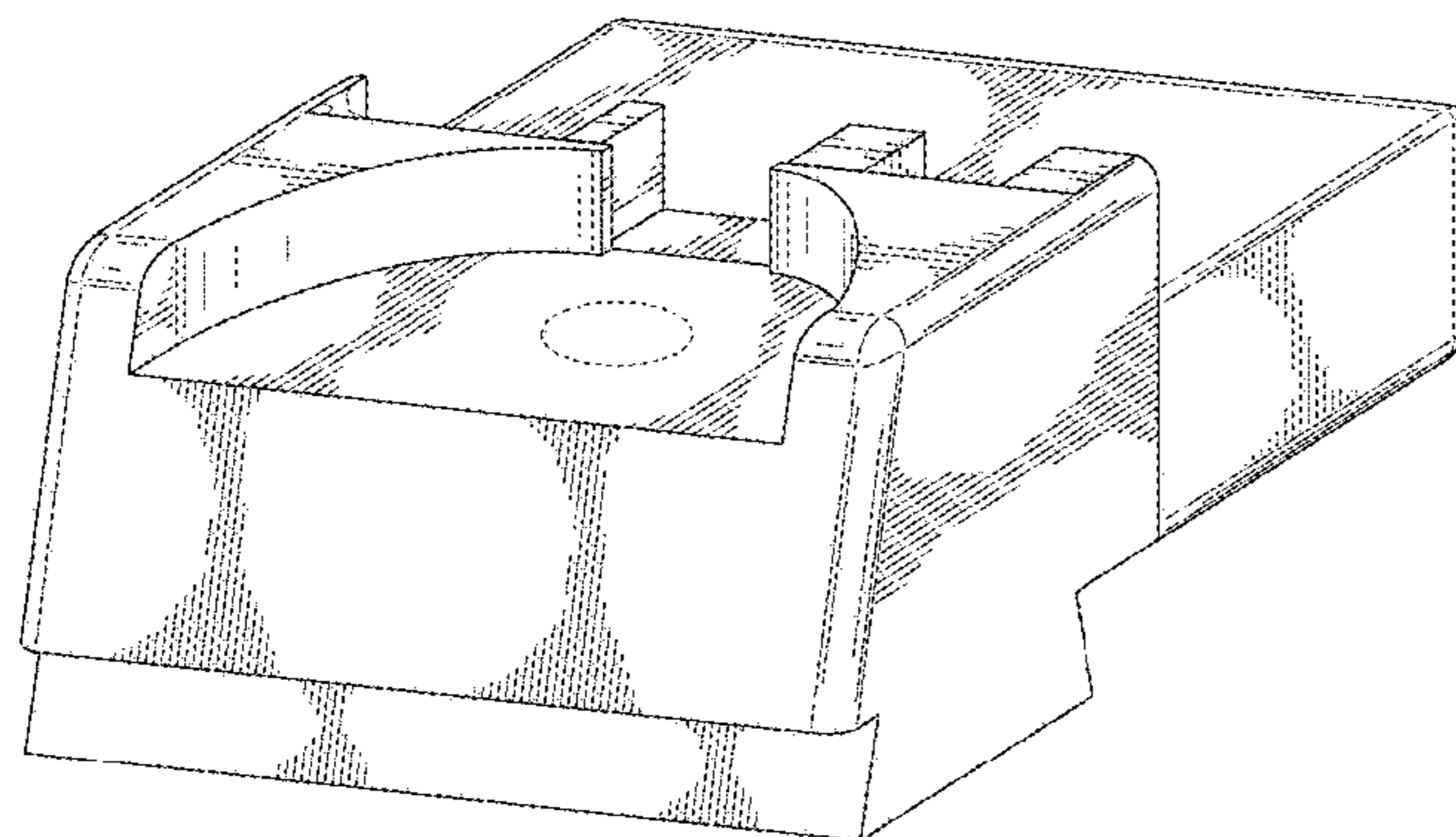
FIG. 14 is a second side view of the claimed design shown in FIG. 9;

FIG. 15 is a top view of the claimed design shown in FIG. 9; and,

FIG. 16 is a bottom view of the claimed design shown in FIG. 9.

The ornamental design that is claimed is shown in the drawings as solid lines and surfaces having surface shading. The broken lines in the drawings are for illustrative purposes only, depict environmental subject matter, and form no part of the claimed design.

**1 Claim, 12 Drawing Sheets**



(58) **Field of Classification Search**  
 CPC ..... F41C 23/04; F41C 23/08; F41C 23/16;  
 F41G 1/02; F41G 1/027; F41G 1/06;  
 F41A 17/46; F41A 19/11  
 See application file for complete search history.

(56) **References Cited**

U.S. PATENT DOCUMENTS

|           |      |         |                  |                     |
|-----------|------|---------|------------------|---------------------|
| 644,901   | A    | 3/1900  | Douglass         |                     |
| 688,194   | A    | 12/1901 | Orge             |                     |
| 732,075   | A    | 6/1903  | Hepburn          |                     |
| 737,677   | A    | 9/1903  | Tansley          |                     |
| 766,447   | A    | 8/1904  | Kiessig          |                     |
| 805,770   | A    | 11/1905 | Bassell          |                     |
| 843,145   | A    | 2/1907  | Gunn             |                     |
| 971,287   | A    | 9/1910  | Lovejoy          |                     |
| 1,027,891 | A    | 5/1912  | Peck, Jr. et al. |                     |
| 1,034,925 | A    | 8/1912  | Newitt           |                     |
| 1,191,708 | A    | 7/1916  | Klugel           |                     |
| 1,311,963 | A    | 8/1919  | Greenwalt        |                     |
| 1,433,422 | A    | 10/1922 | Spencer          |                     |
| 1,450,823 | A    | 4/1923  | Spencer          |                     |
| 1,466,913 | A    | 9/1923  | Matthews         |                     |
| 1,586,413 | A    | 5/1926  | Doornbos         |                     |
| 1,850,288 | A    | 3/1932  | Robbins          |                     |
| 1,903,326 | A    | 4/1933  | Crawley          |                     |
| 1,908,019 | A    | 5/1933  | Howard           |                     |
| 2,094,705 | A    | 10/1937 | Jefferson        |                     |
| 2,102,677 | A    | 12/1937 | Campbell         |                     |
| 2,437,363 | A    | 3/1948  | Smith            |                     |
| 2,603,874 | A    | 7/1952  | Stewart          |                     |
| 3,161,959 | A    | 12/1964 | Wilbur           |                     |
| 3,834,035 | A    | 9/1974  | Merrill          |                     |
| 3,930,316 | A    | 1/1976  | Tellie           |                     |
| 4,691,442 | A    | 9/1987  | Center           |                     |
| 5,533,292 | A    | 7/1996  | Swan             |                     |
| 6,615,530 | B2   | 9/2003  | Johansson        |                     |
| 6,834,457 | B1 * | 12/2004 | Warren           | F41G 1/10<br>42/133 |
| D512,118  | S *  | 11/2005 | Warren           | D22/109             |
| D512,760  | S *  | 12/2005 | Warren           | D22/109             |
| D520,592  | S *  | 5/2006  | Warren           | D22/109             |
| D521,101  | S *  | 5/2006  | Warren           | D22/109             |

|              |      |         |                    |                     |
|--------------|------|---------|--------------------|---------------------|
| 7,076,907    | B2   | 7/2006  | Nesseth et al.     |                     |
| D526,695     | S *  | 8/2006  | Warren             | D22/109             |
| D527,068     | S *  | 8/2006  | Warren             | D22/109             |
| D531,693     | S *  | 11/2006 | Warren             | D22/109             |
| D533,616     | S *  | 12/2006 | Warren             | D22/109             |
| D533,617     | S *  | 12/2006 | Warren             | D22/109             |
| D534,986     | S *  | 1/2007  | Warren             | D22/109             |
| D541,897     | S *  | 5/2007  | Warren             | D22/109             |
| D560,744     | S *  | 1/2008  | Warren             | D22/108             |
| 7,356,962    | B2   | 4/2008  | Swan               |                     |
| D611,113     | S *  | 3/2010  | Kay                | D22/109             |
| 7,726,229    | B2   | 6/2010  | Schwerman et al.   |                     |
| 8,015,744    | B1   | 9/2011  | Swan               |                     |
| 8,069,607    | B2   | 12/2011 | Ballard            |                     |
| D669,554     | S *  | 10/2012 | Warren             | D22/109             |
| D704,792     | S    | 5/2014  | Fitzpatrick et al. |                     |
| D724,691     | S    | 3/2015  | Barfoot et al.     |                     |
| D733,831     | S *  | 7/2015  | Dueck              | D22/109             |
| D739,913     | S *  | 9/2015  | Nevils             | D22/109             |
| 9,683,811    | B1   | 6/2017  | Warensford         |                     |
| 10,012,471   | B1   | 7/2018  | Warren             |                     |
| D838,804     | S *  | 1/2019  | Hillman            | D22/109             |
| 10,330,437   | B2   | 6/2019  | Kung et al.        |                     |
| D857,145     | S *  | 8/2019  | Hillman            | D22/109             |
| 2007/0240354 | A1 * | 10/2007 | Warren             | F41G 1/10<br>42/111 |
| 2009/0049734 | A1   | 2/2009  | Storch et al.      |                     |
| 2009/0188147 | A1   | 7/2009  | Schwerman          |                     |
| 2011/0296734 | A1   | 12/2011 | Troy               |                     |

FOREIGN PATENT DOCUMENTS

|    |             |   |         |
|----|-------------|---|---------|
| GB | 1 912 24500 | A | 4/1913  |
| GB | 0 571 027   | A | 8/1945  |
| GB | 0 622 054   | A | 4/1949  |
| GB | 1 008 009   | A | 10/1965 |

OTHER PUBLICATIONS

Notice of Allowance dated Apr. 2, 2018 in U.S. Appl. No. 15/173,128.  
 Office Action dated Nov. 22, 2017 in U.S. Appl. No. 15/173,128.  
 Non-Final Office Action on U.S. Appl. No. 15/978,431 dated Oct. 18, 2019.

\* cited by examiner



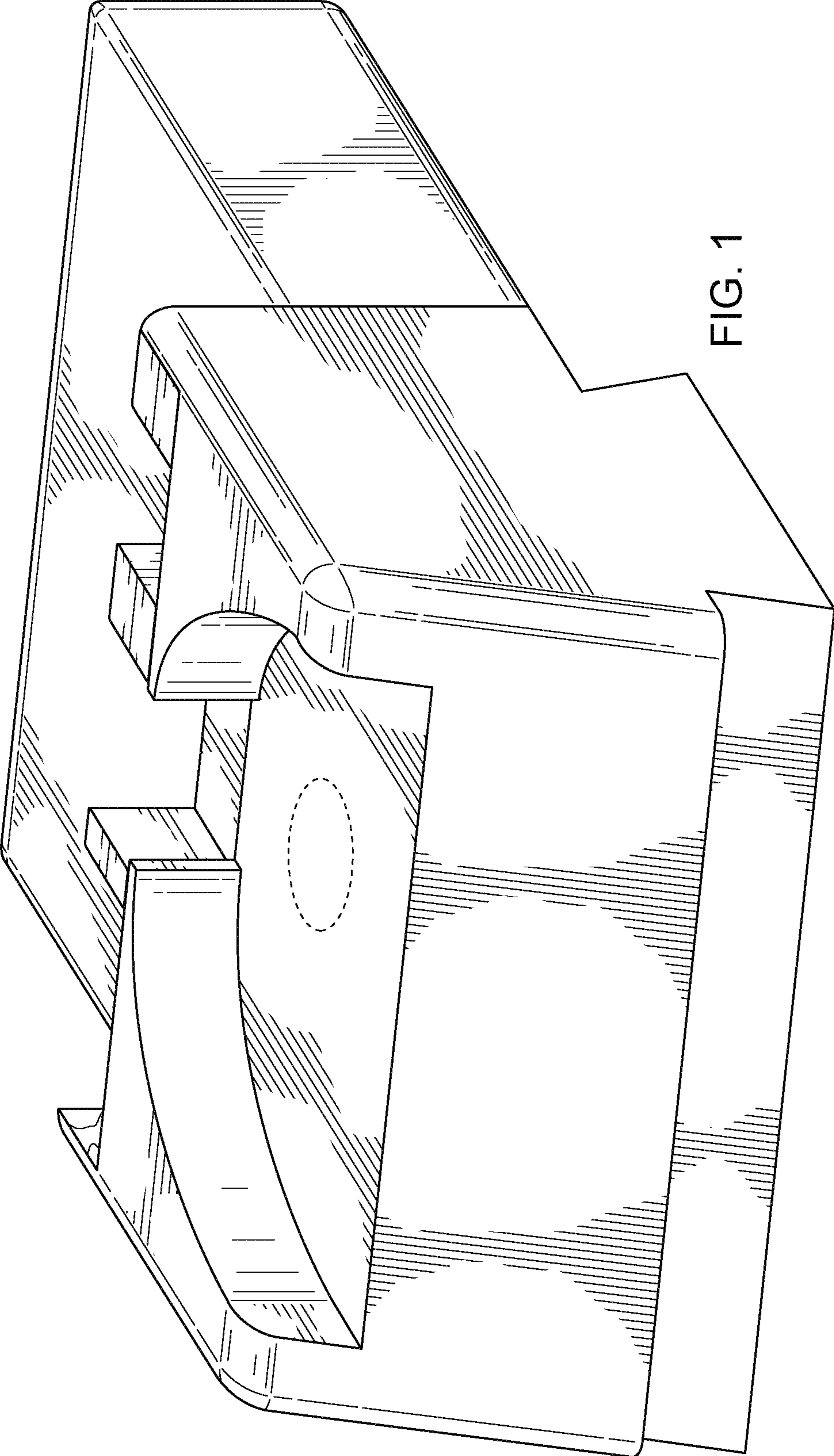


FIG. 1

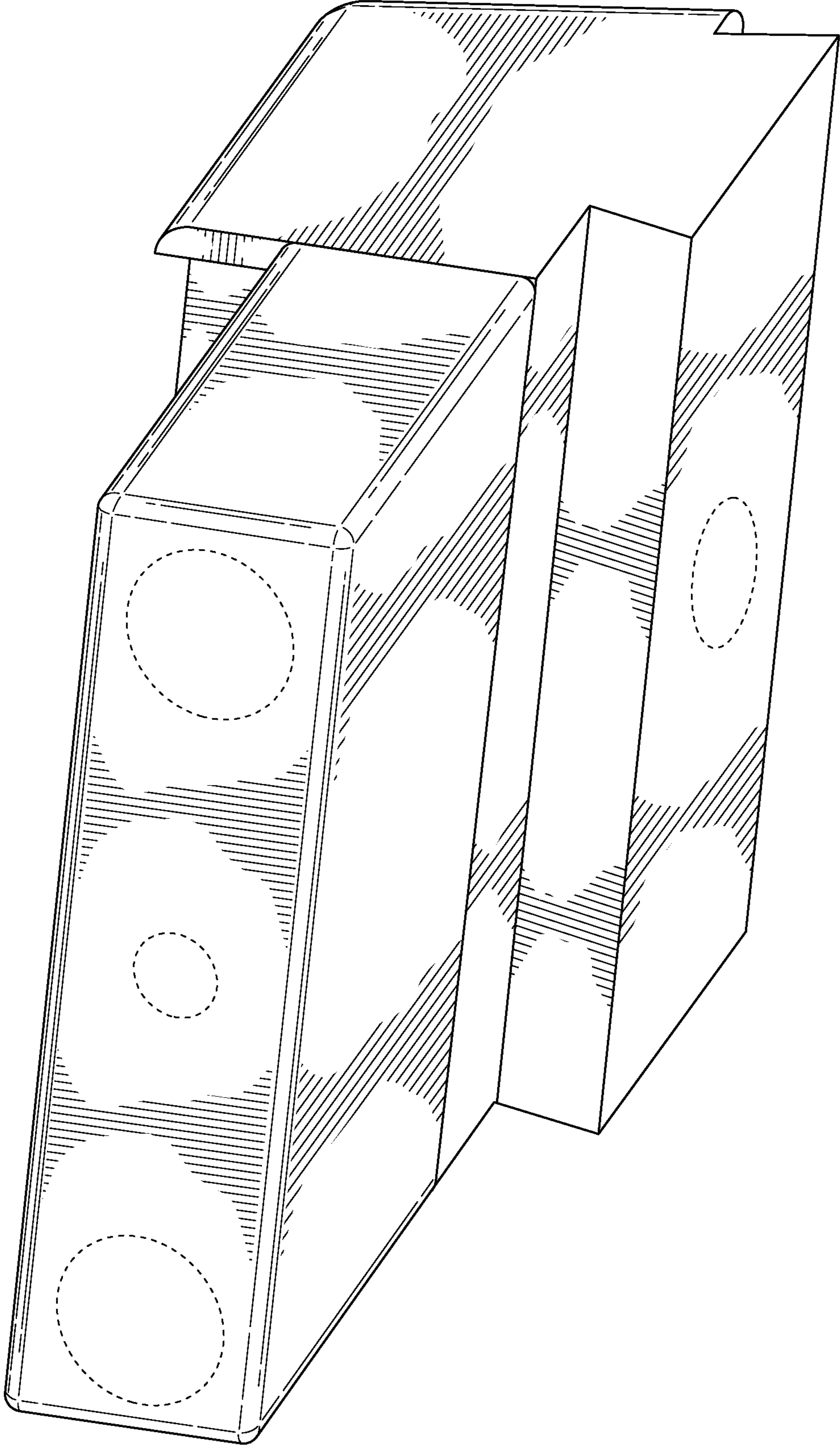


FIG. 2

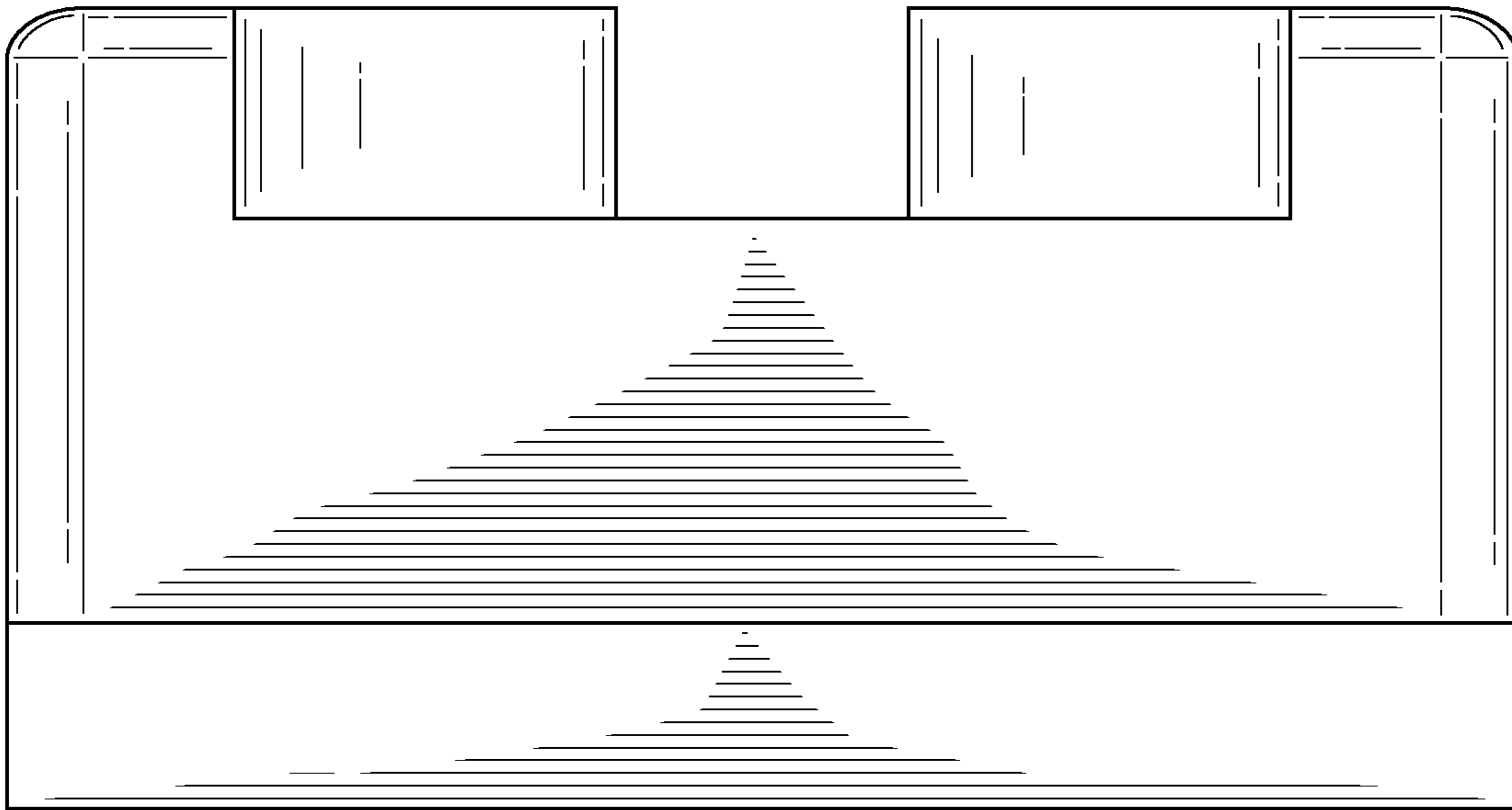


FIG. 3

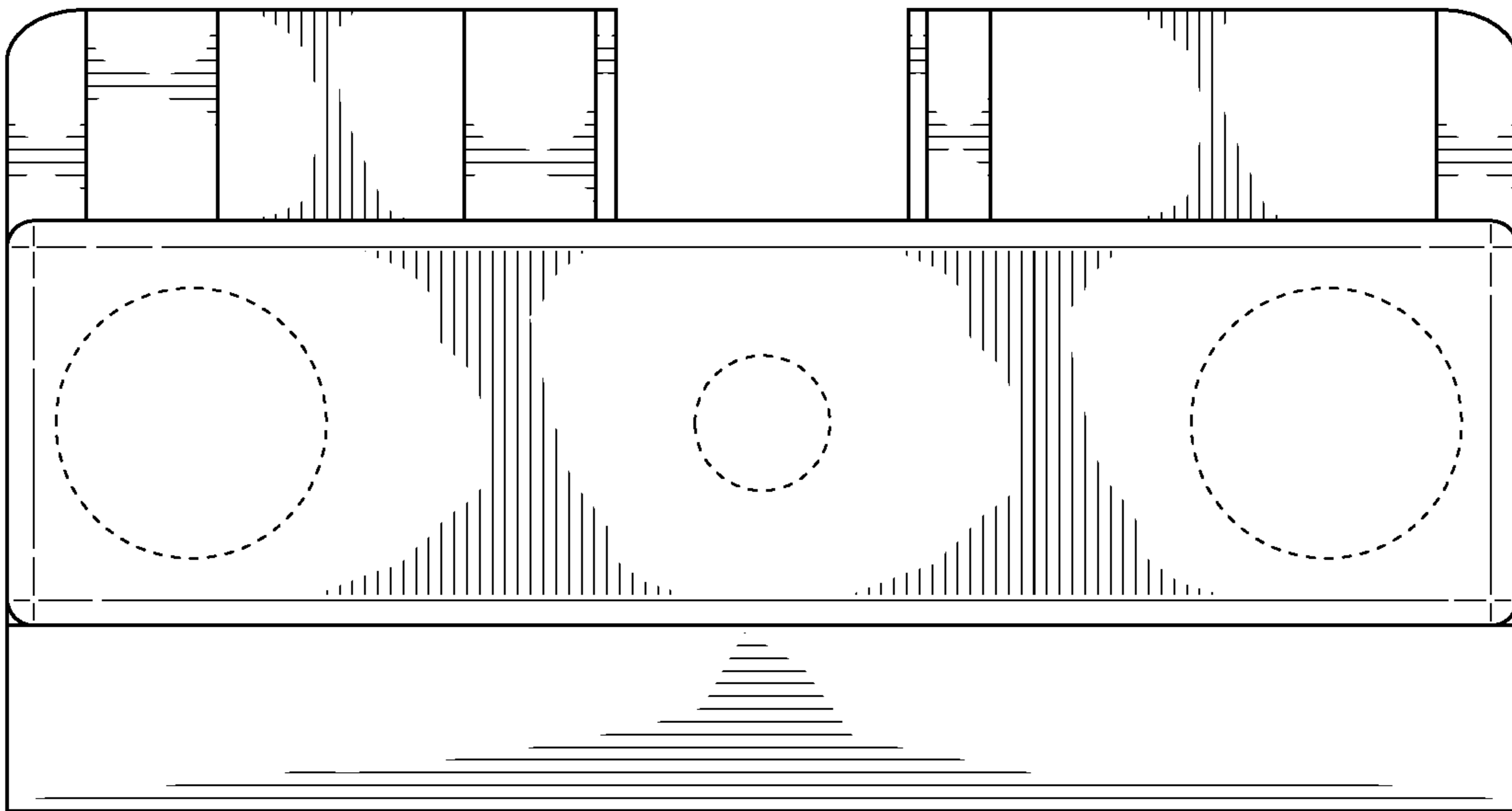


FIG. 4

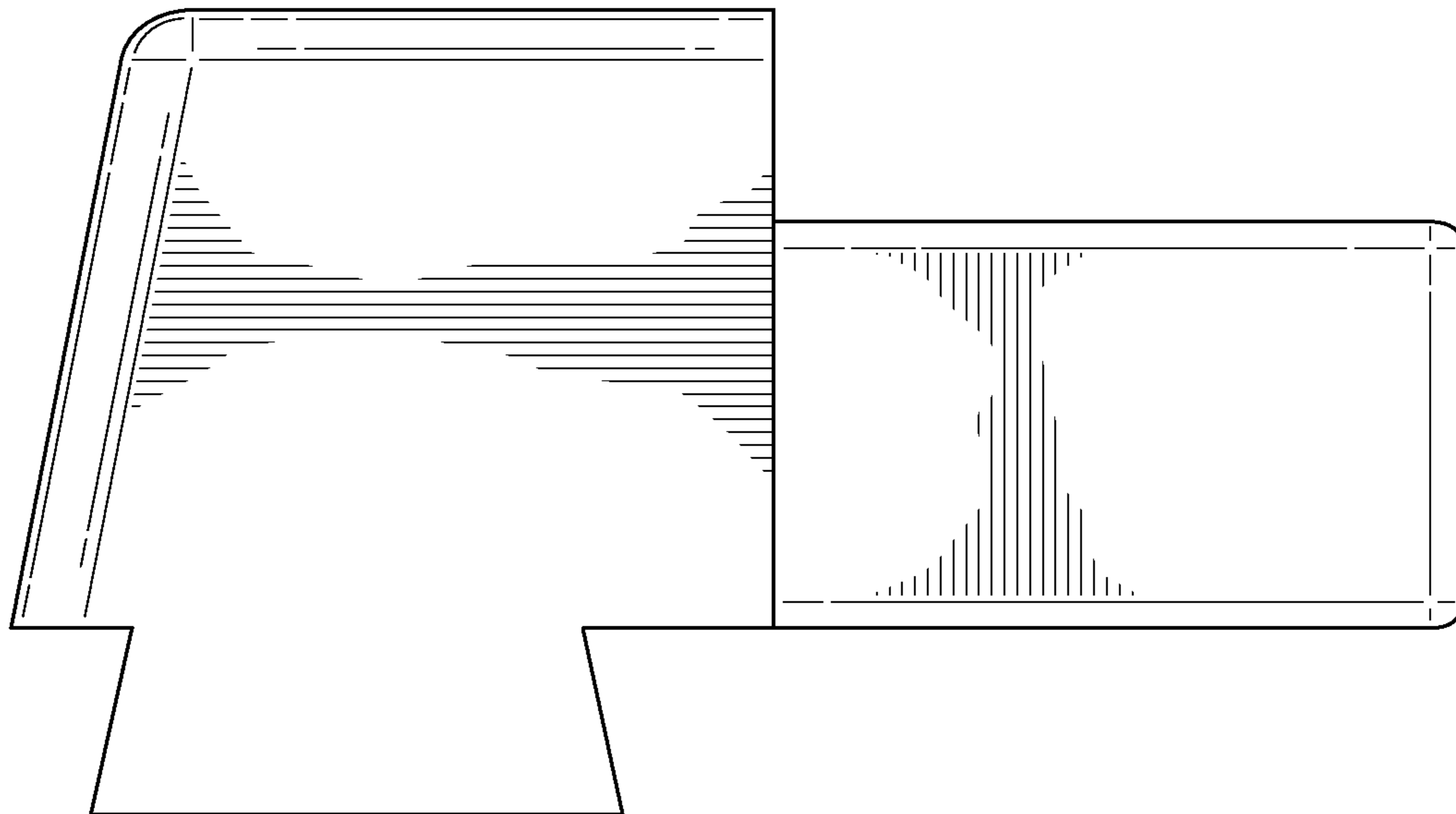


FIG. 5

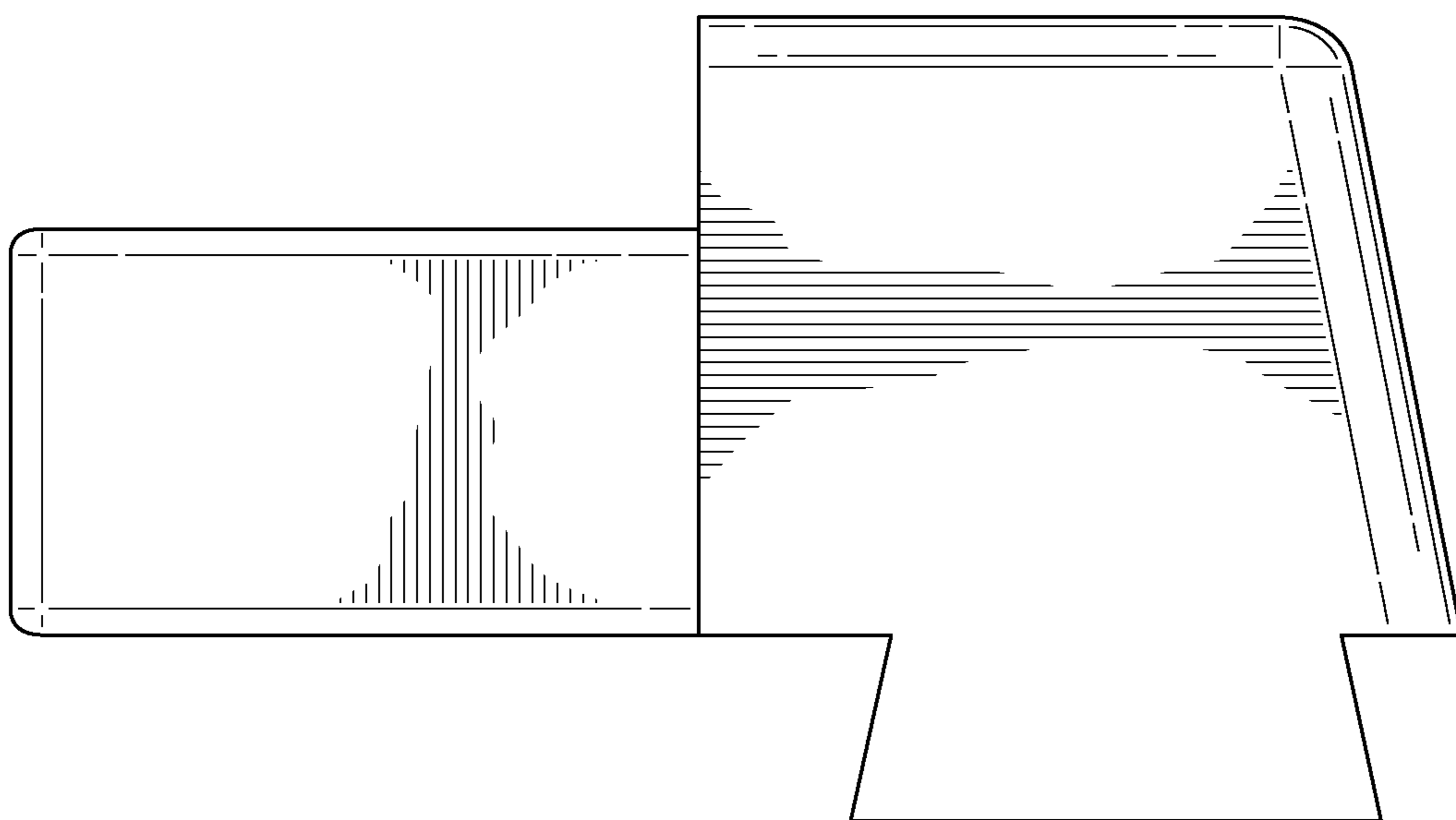


FIG. 6

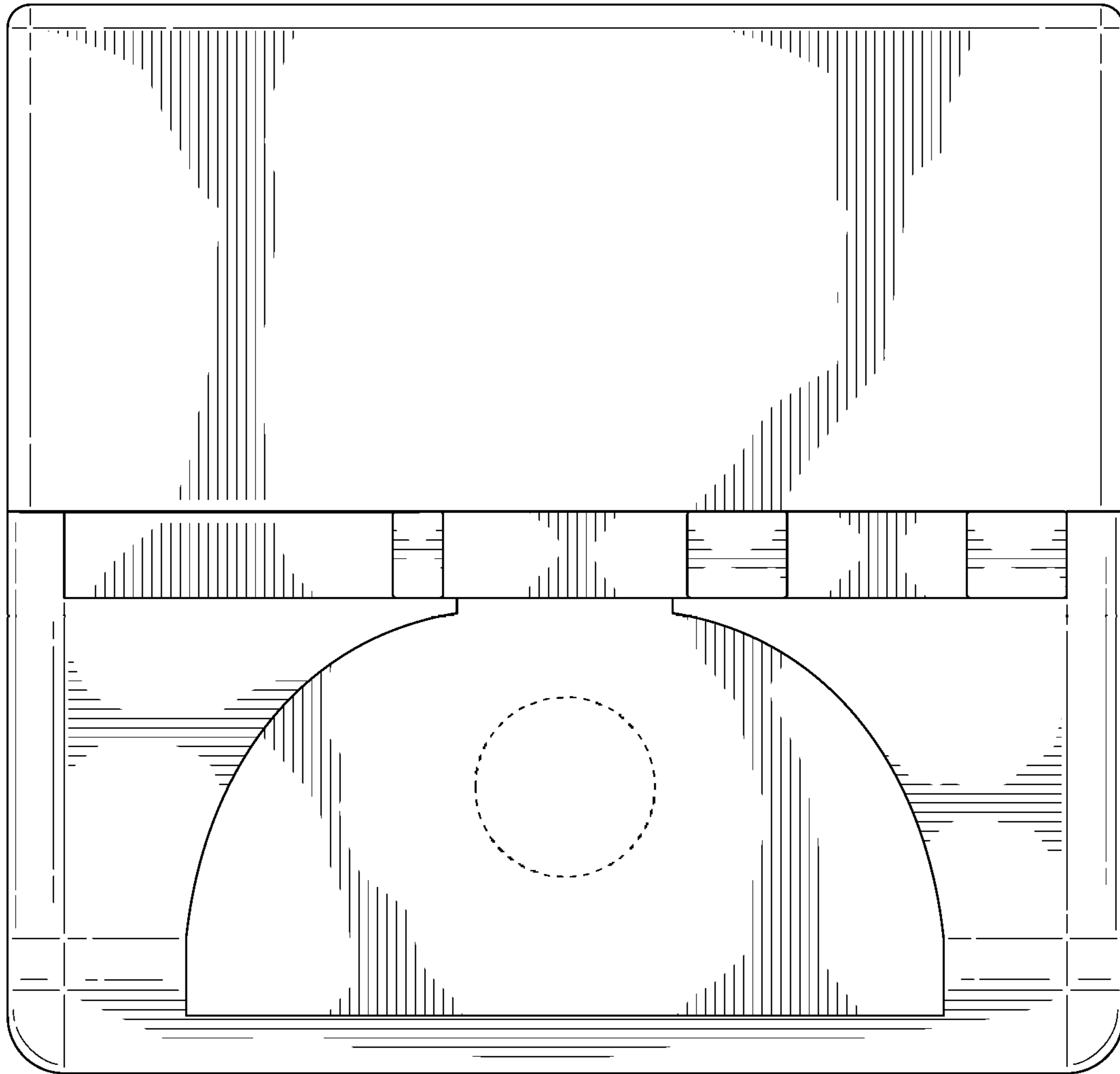


FIG. 7

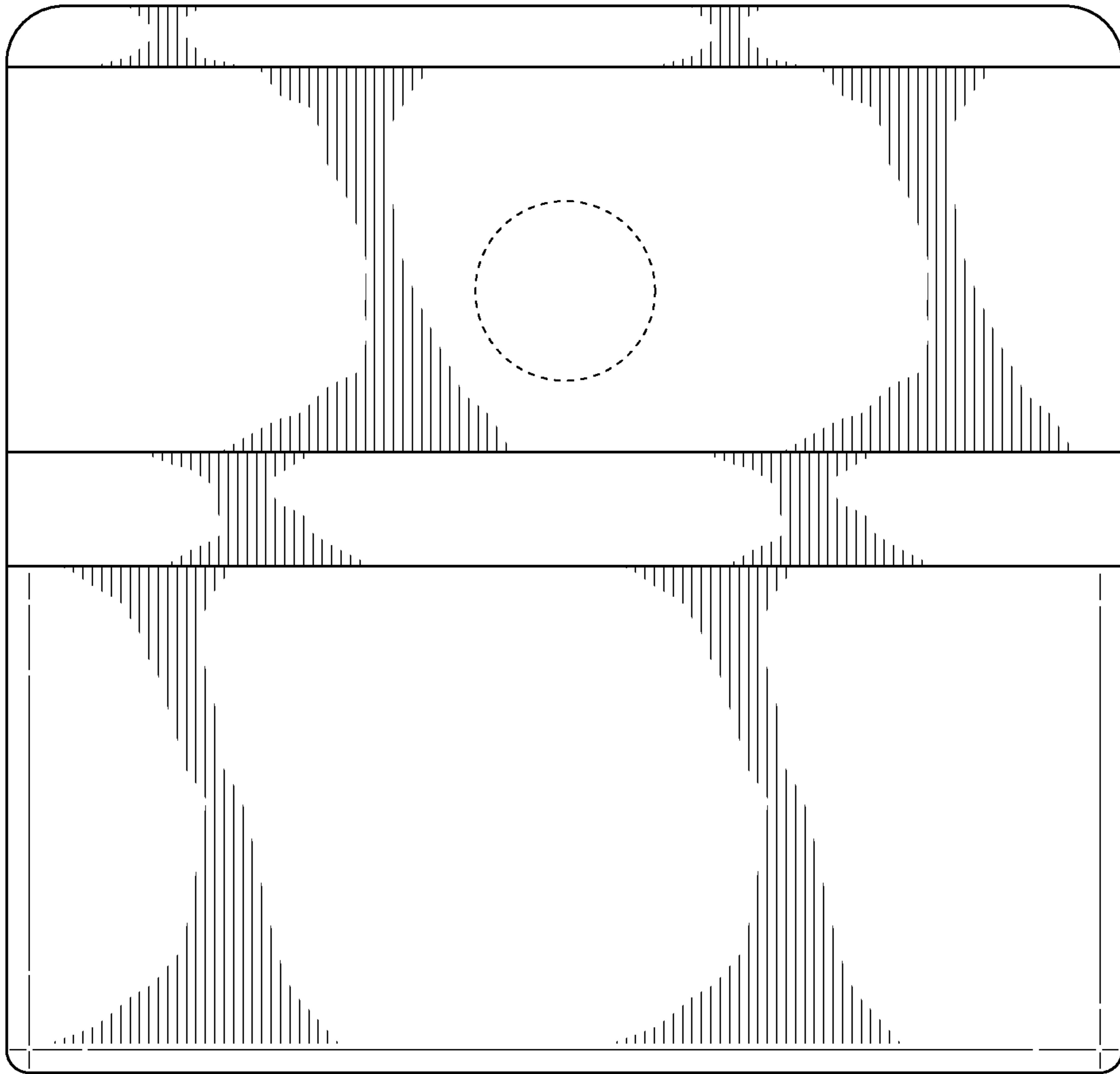


FIG. 8



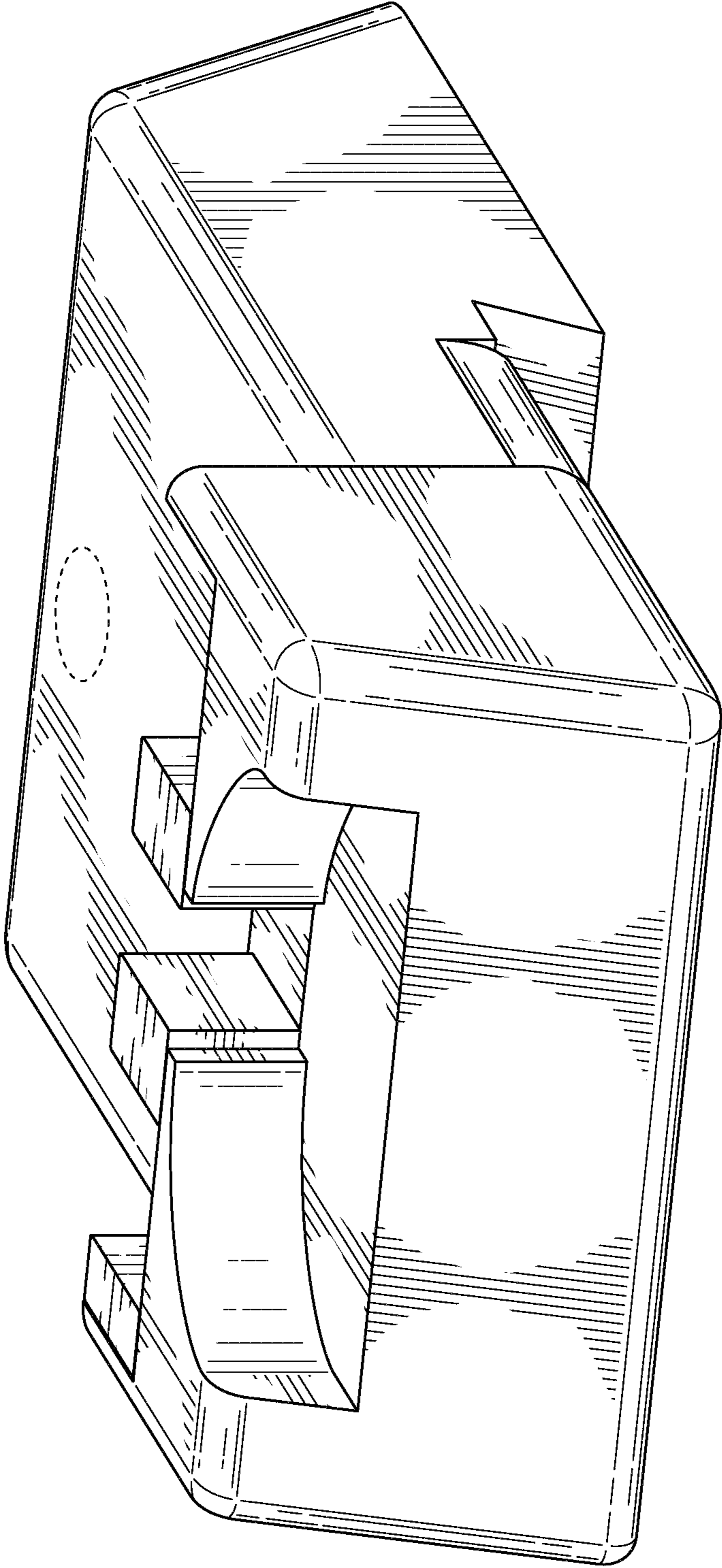


FIG. 9

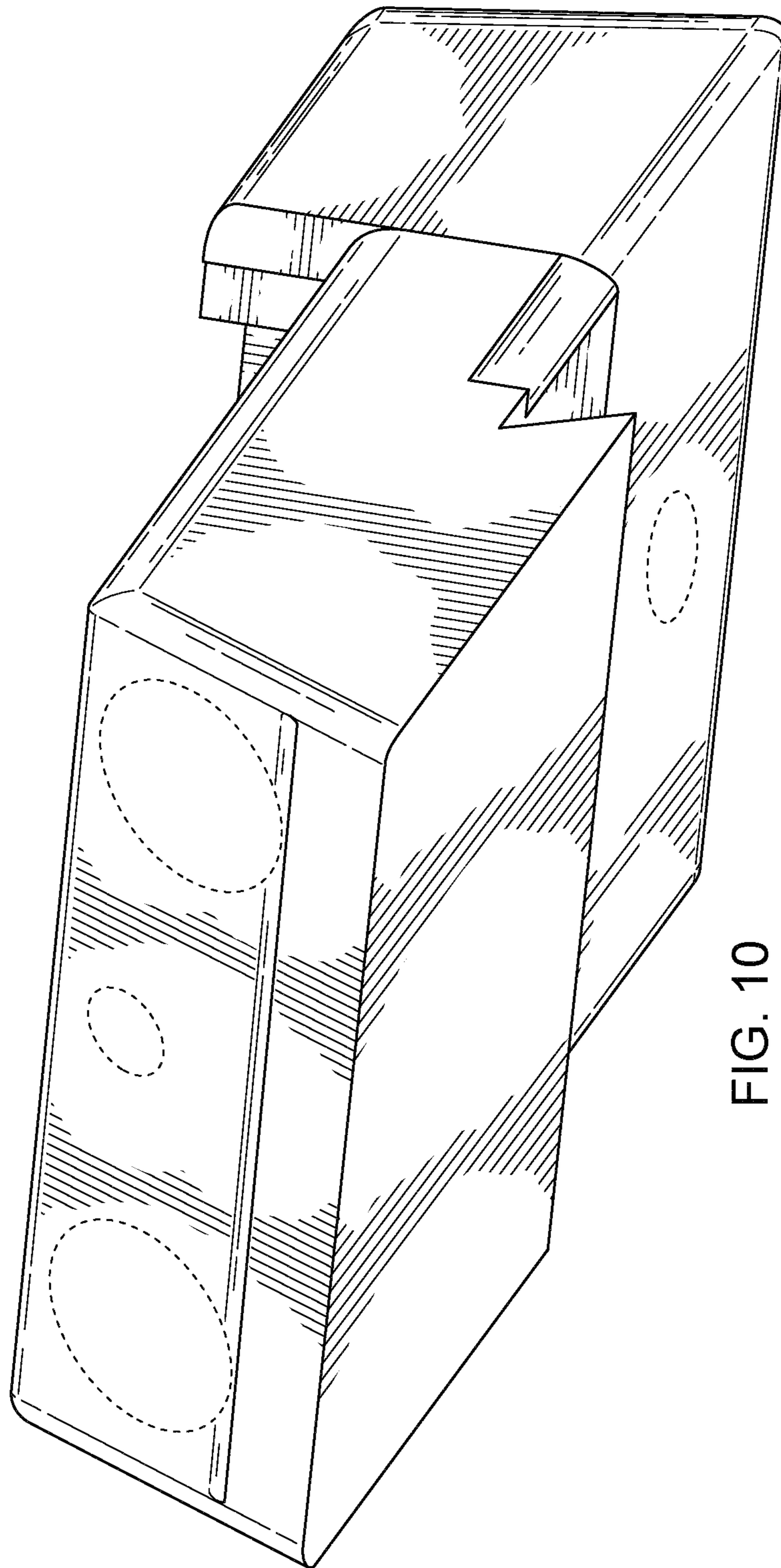


FIG. 10

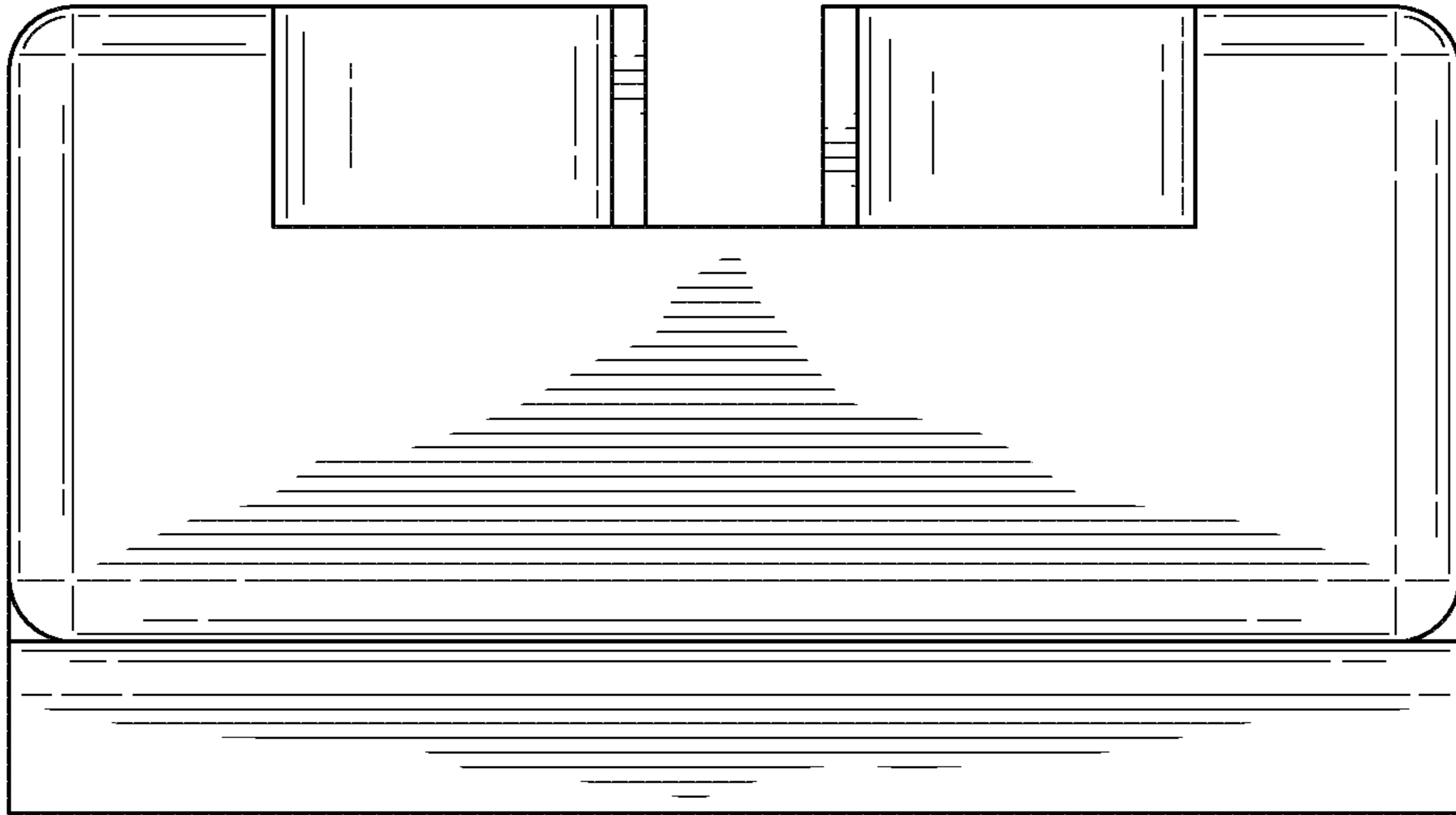


FIG. 11

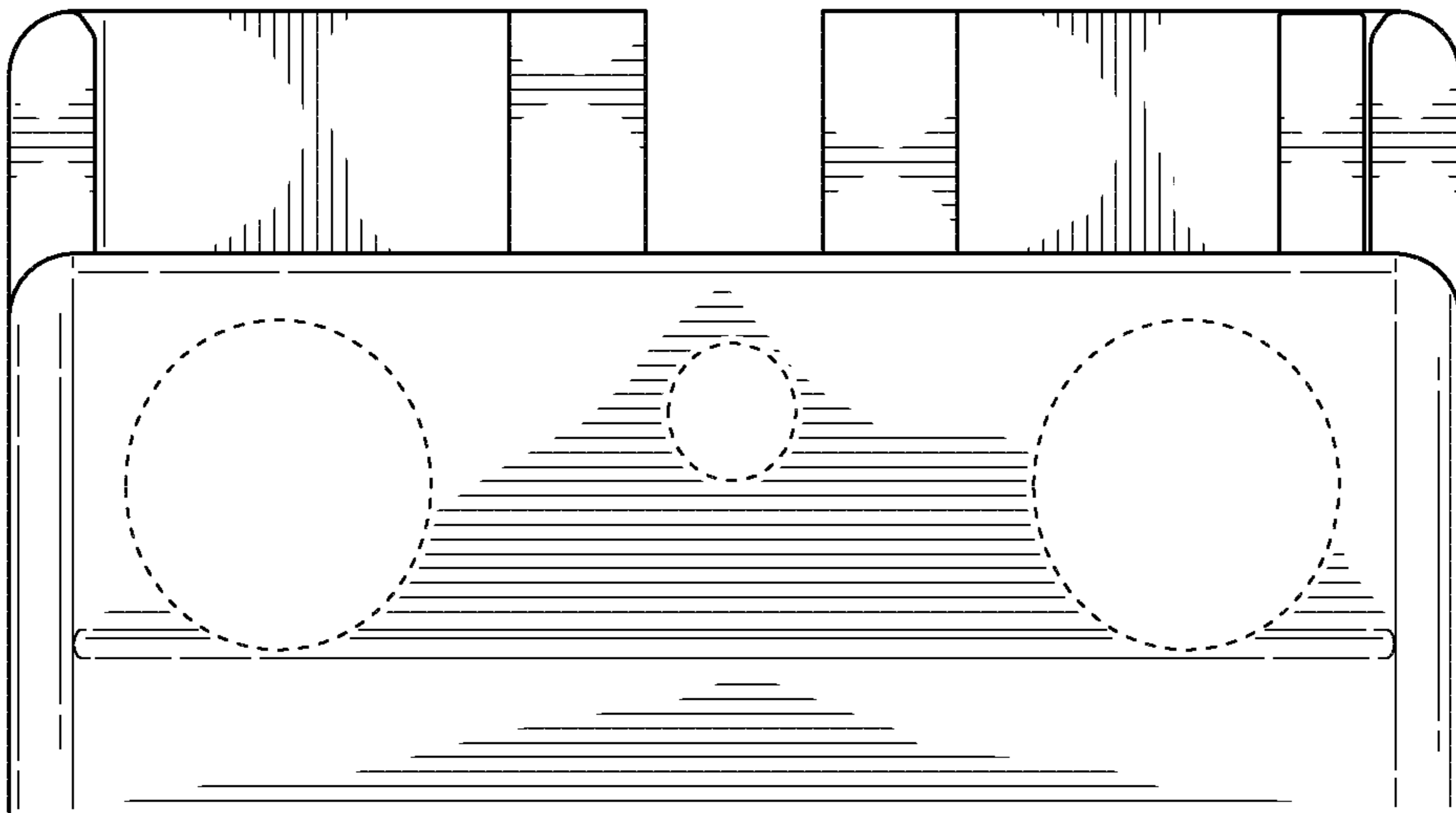


FIG. 12

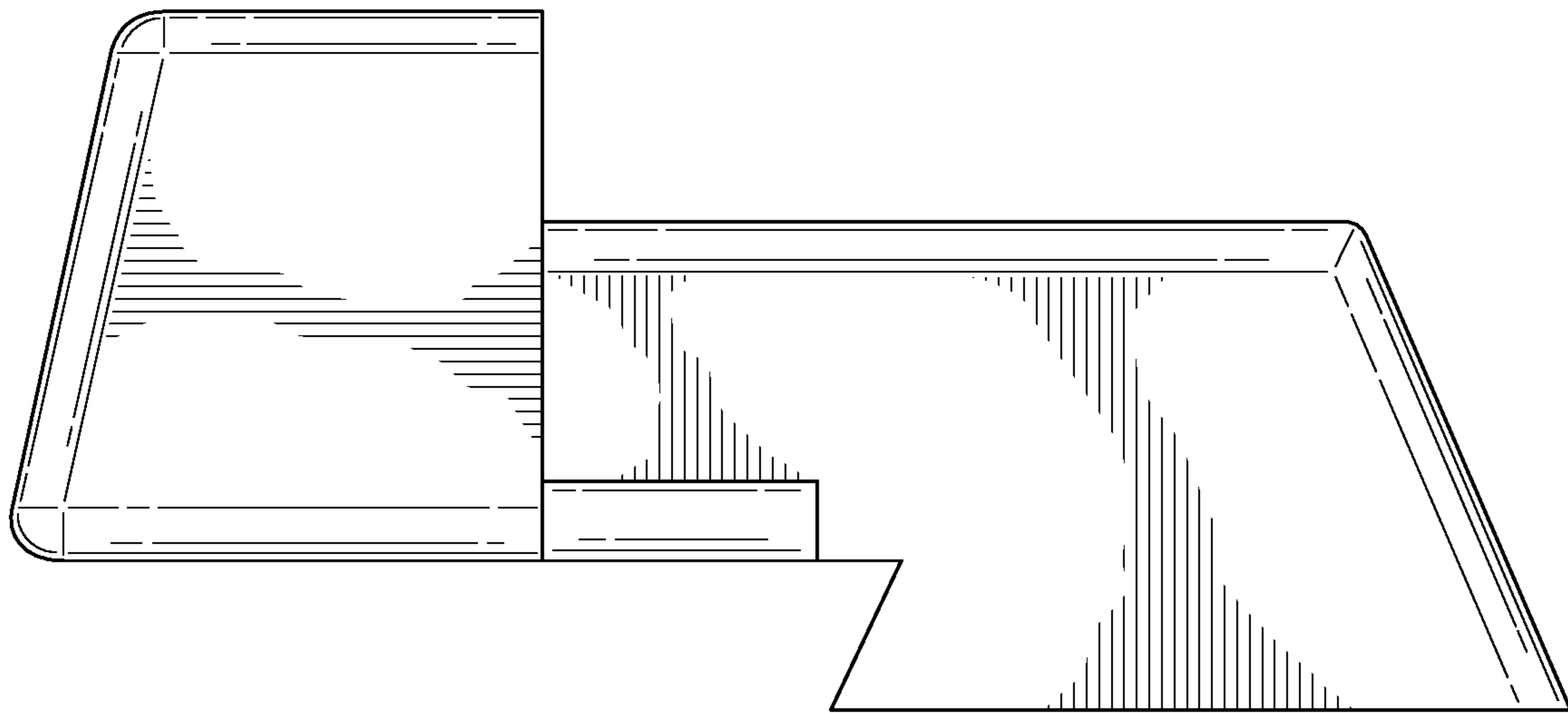


FIG. 13

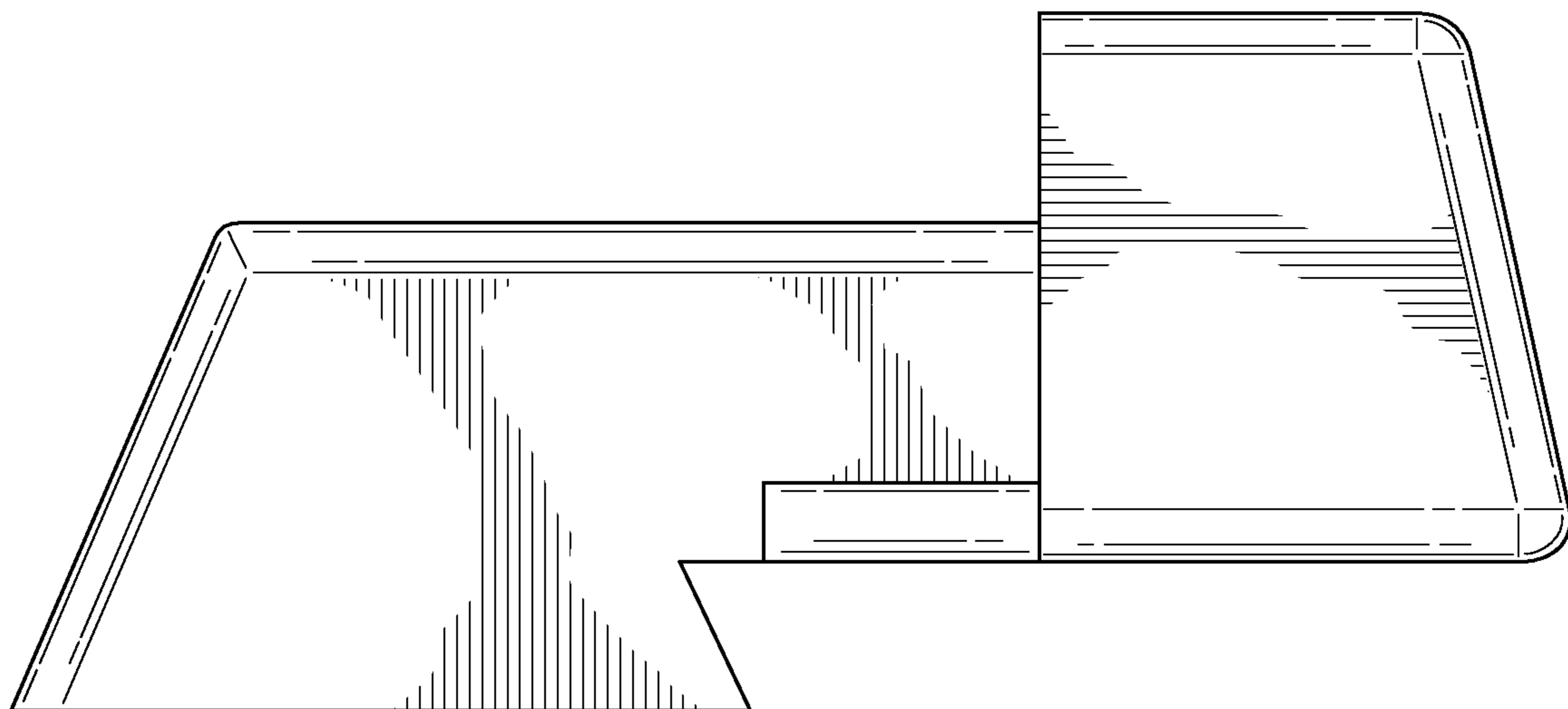


FIG. 14

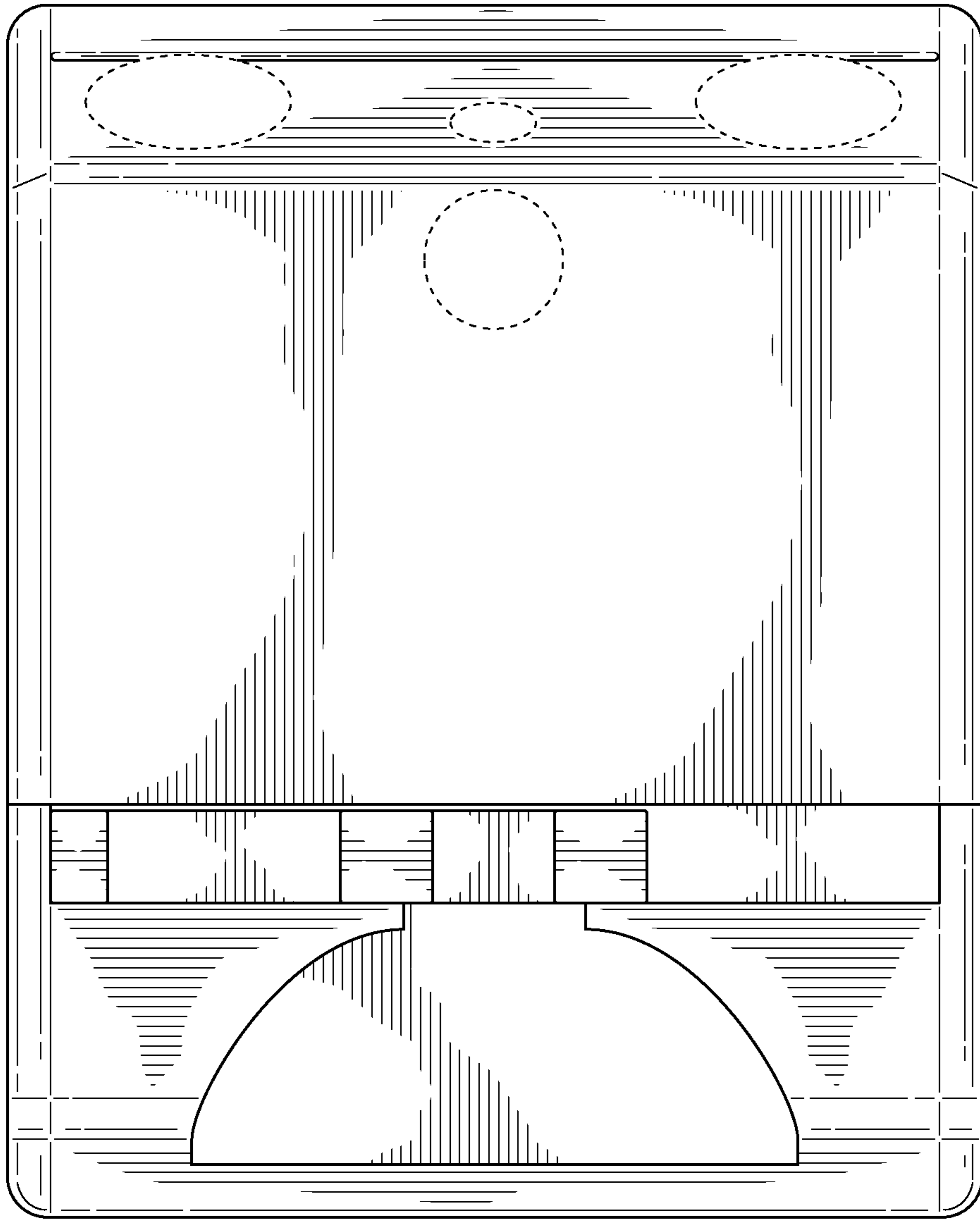


FIG. 15



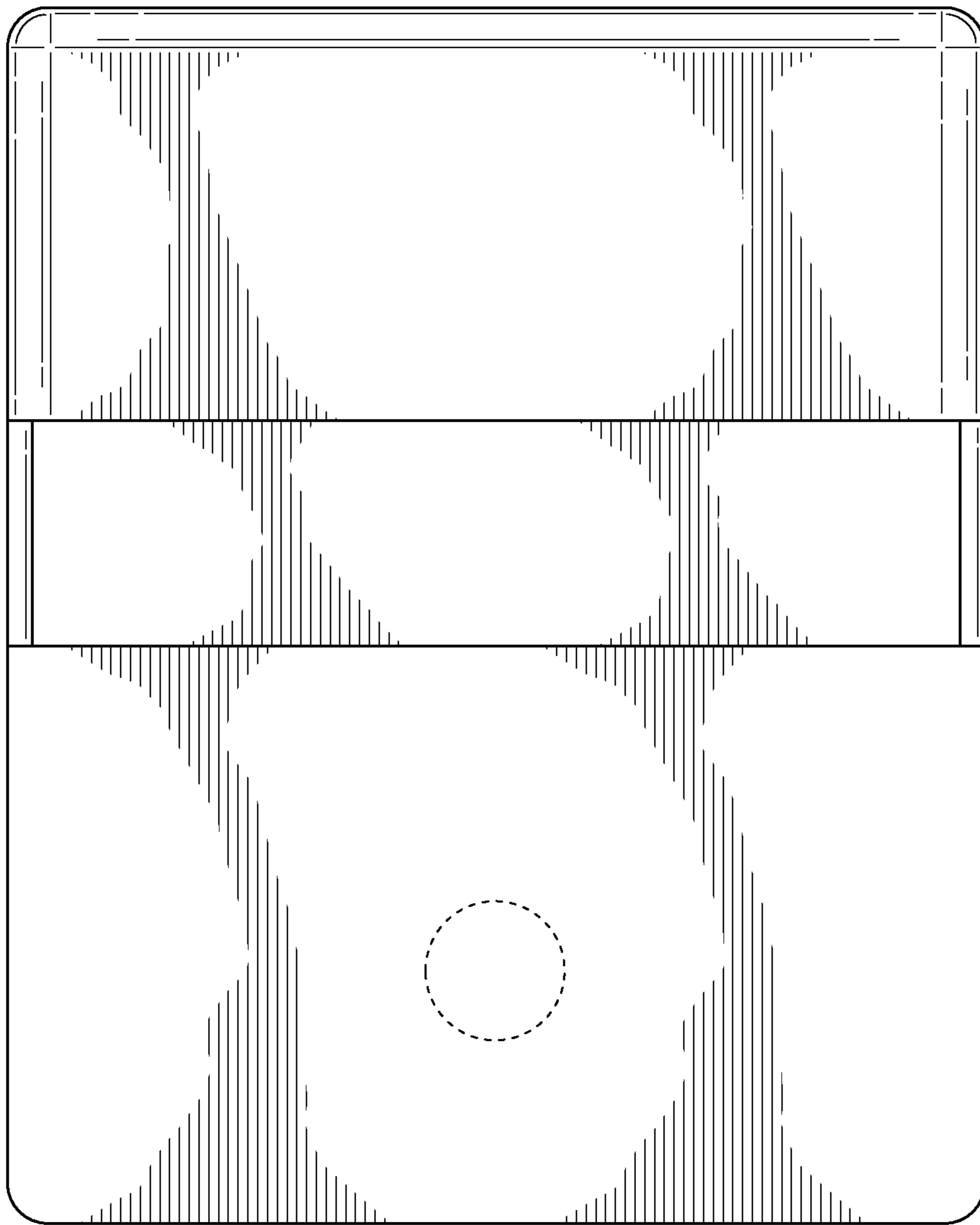


FIG. 16