



US00D895052S

(12) **United States Design Patent** (10) **Patent No.:** **US D895,052 S**
Johnston (45) **Date of Patent:** **** Sep. 1, 2020**

(54) **SIGHT**

- (71) Applicant: **Crimson Trace Corporation**,
Wilsonville, OR (US)
- (72) Inventor: **William Johnston**, Tualatin, OR (US)
- (73) Assignee: **Crimson Trace Corporation**,
Springfield, MA (US)
- (**) Term: **15 Years**
- (21) Appl. No.: **29/674,299**
- (22) Filed: **Dec. 20, 2018**
- (51) **LOC (12) Cl.** **22-01**
- (52) **U.S. Cl.**
USPC **D22/109**
- (58) **Field of Classification Search**
USPC D22/100, 103, 104, 105, 108, 109, 110,
D22/111, 199; D21/567, 573, 574, 575
CPC F41C 23/04; F41C 23/08; F41C 23/16;
F41G 1/02; F41G 1/027; F41G 1/06;
F41A 17/46; F41A 19/11
See application file for complete search history.

(56) **References Cited**

U.S. PATENT DOCUMENTS

D612,006 S *	3/2010	Kohler	D22/109
D618,756 S *	6/2010	Kohler	D22/109
D619,194 S *	7/2010	Kohler	D22/109
8,087,196 B2 *	1/2012	Jung	F41G 1/30 42/113
10,175,029 B2 *	1/2019	Teetzel	F41G 1/01
D846,689 S *	4/2019	Cheng	D22/109
D847,292 S *	4/2019	Hoff	D22/109
D848,567 S *	5/2019	Soejima	D22/109
D849,180 S *	5/2019	Cheng	D22/109
2012/0151816 A1 *	6/2012	Kleck	F41G 1/30 42/132
2014/0096431 A1 *	4/2014	Tang	F41G 1/30 42/132
2015/0198415 A1 *	7/2015	Campean	F41G 1/18 42/137

OTHER PUBLICATIONS

“Vortex Optics Venom Red Dot Sights” [online]. Vortex. [Retrieved on Dec. 17, 2019]. Retrieved from the Internet: <<https://www.amazon.com/Vortex-Optics-Venom-Red-Sights/dp/B00S2P2J90>>.*
“HOLOSUN HE507C-GR Elite 1x, 2 MOA Reticle, Green Dot Sight, Black” [online]. HOLOSUN. [Retrieved on Dec. 17, 2019]. Retrieved from the Internet: <<https://www.amazon.com/dp/B07FP22K6F>>.*
“Crimson Trace®: CTS-1300 Electronic Sight Profile” [online]. Crimson Trace. [Published Oct. 1, 2018]. Retrieved from the Internet: <<https://www.youtube.com/watch?v=fFhObVHOyA0>>.*

* cited by examiner

Primary Examiner — Khawaja Anwar
Assistant Examiner — Mojtaba Tehrani
(74) *Attorney, Agent, or Firm* — Schwabe, Williamson & Wyatt, P.C.

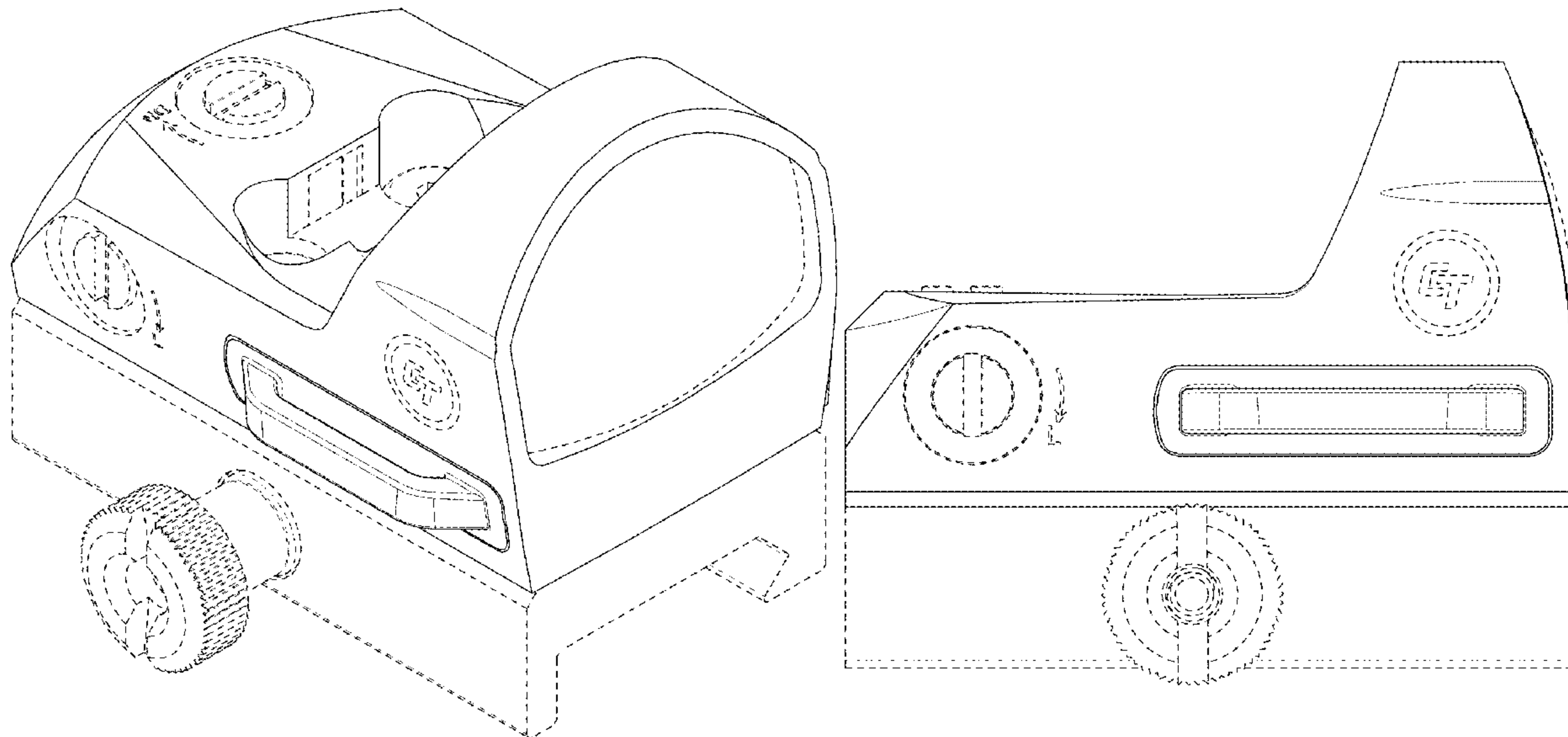
(57) **CLAIM**

I claim the ornamental design for sight, as shown and described.

DESCRIPTION

FIG. 1 is a perspective view of a sight, showing my new design;
FIG. 2 is a front view thereof;
FIG. 3 is a rear view thereof;
FIG. 4 is a right side view thereof;
FIG. 5 is a left side view thereof;
FIG. 6 is a top view thereof; and,
FIG. 7 is a bottom view thereof.
The broken lines in the drawings depict unclaimed portion of the sight, which form no part of the claimed design.

1 Claim, 7 Drawing Sheets



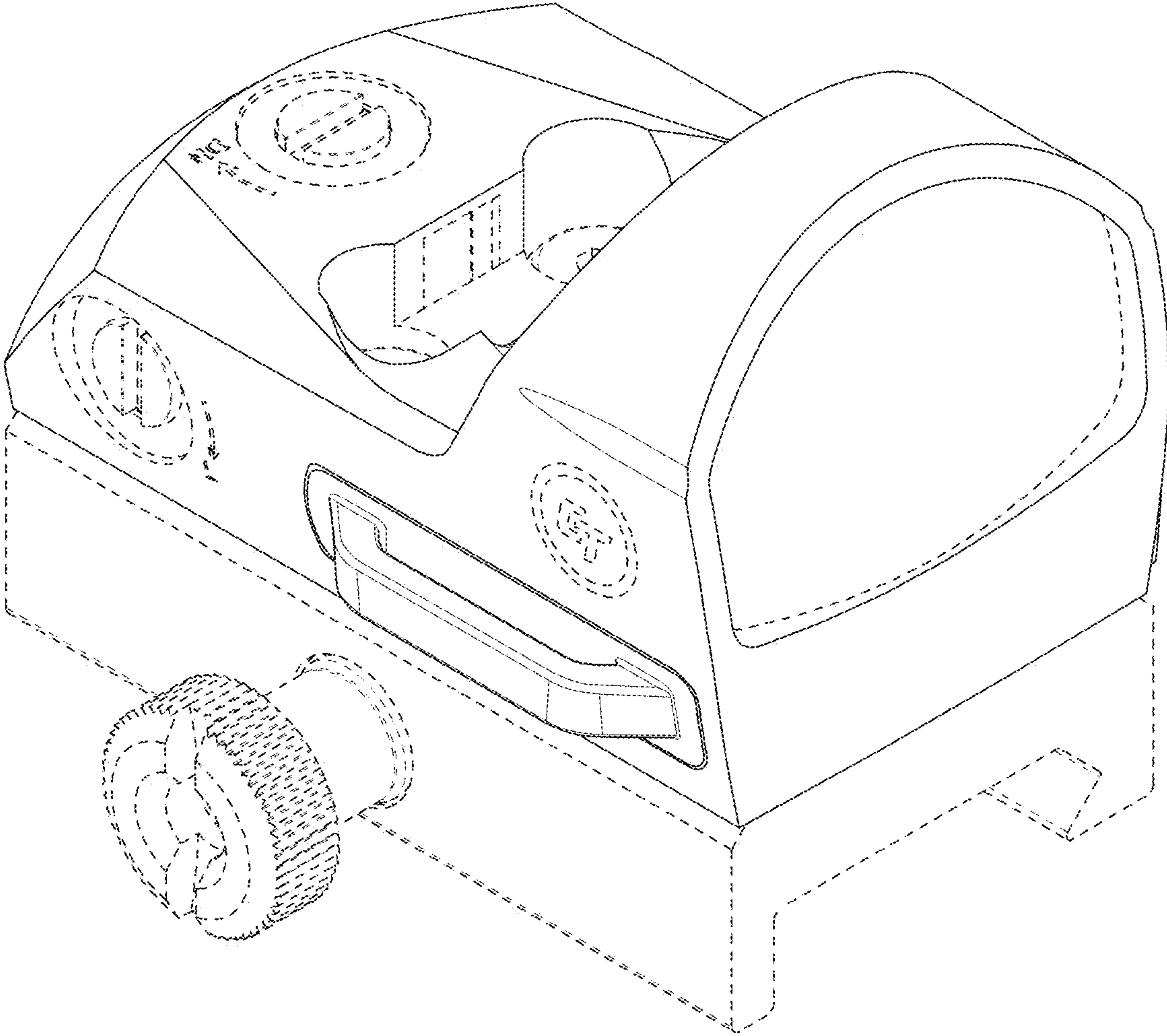


FIG. 1

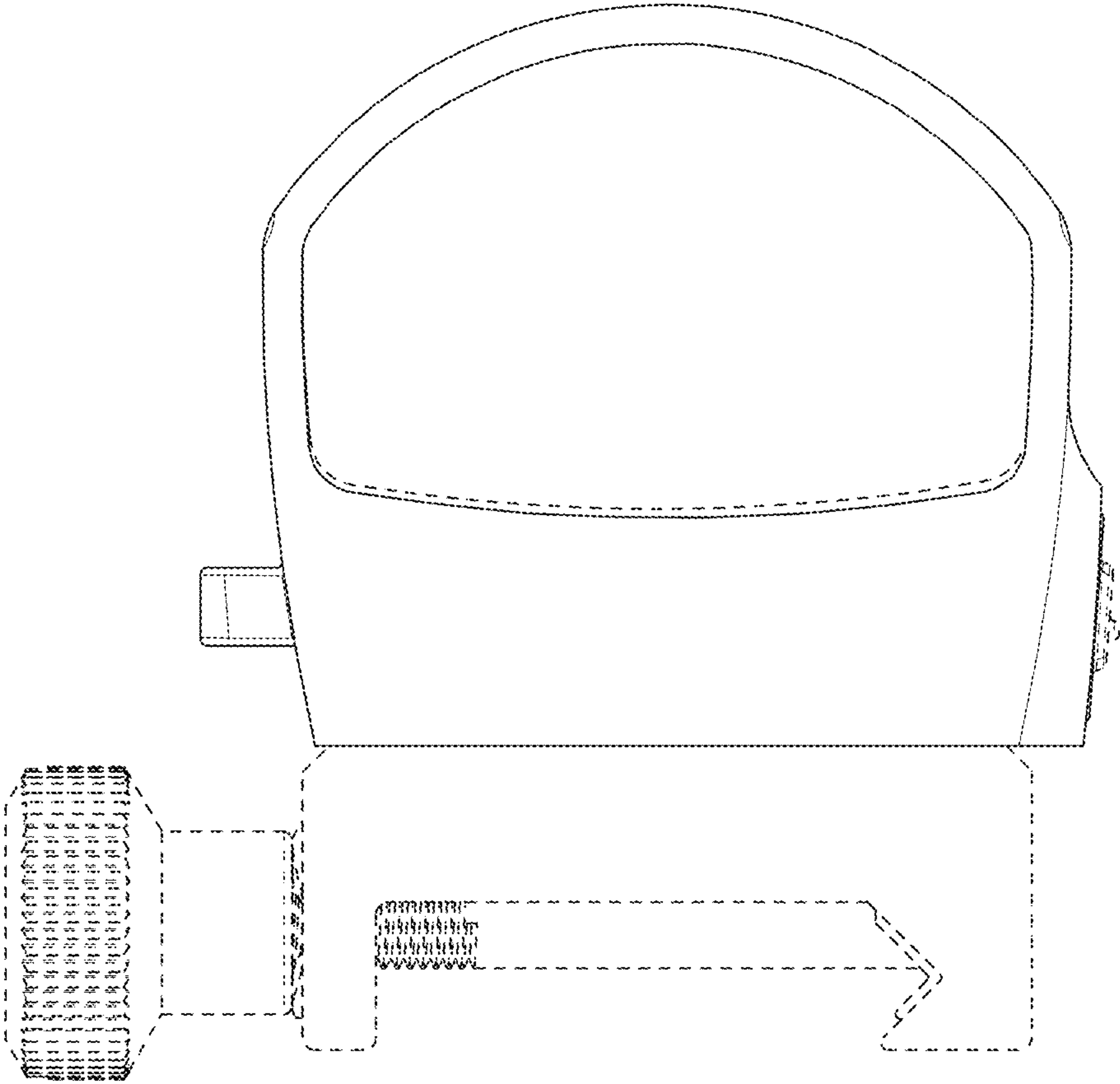


FIG. 2

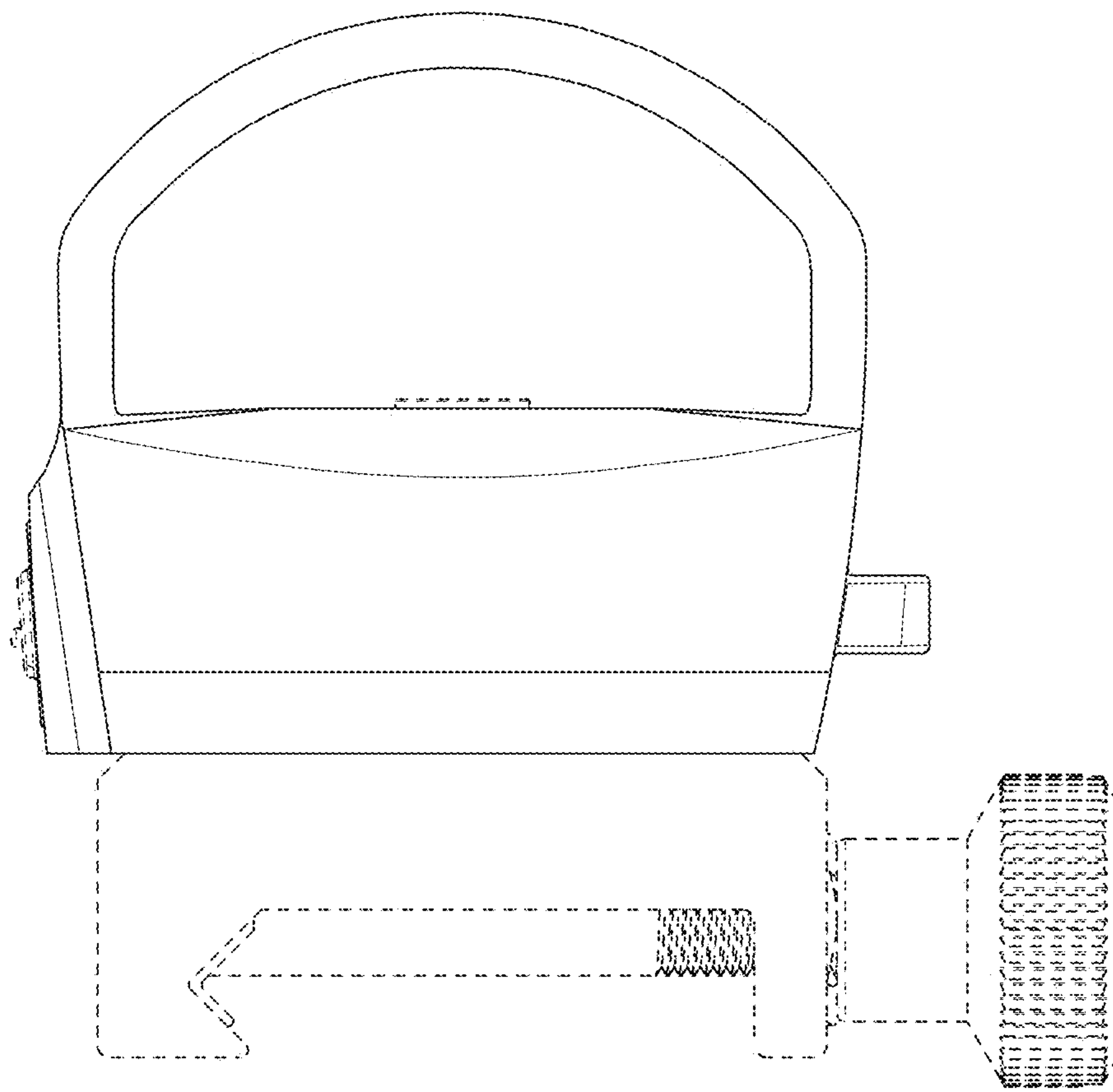


FIG. 3

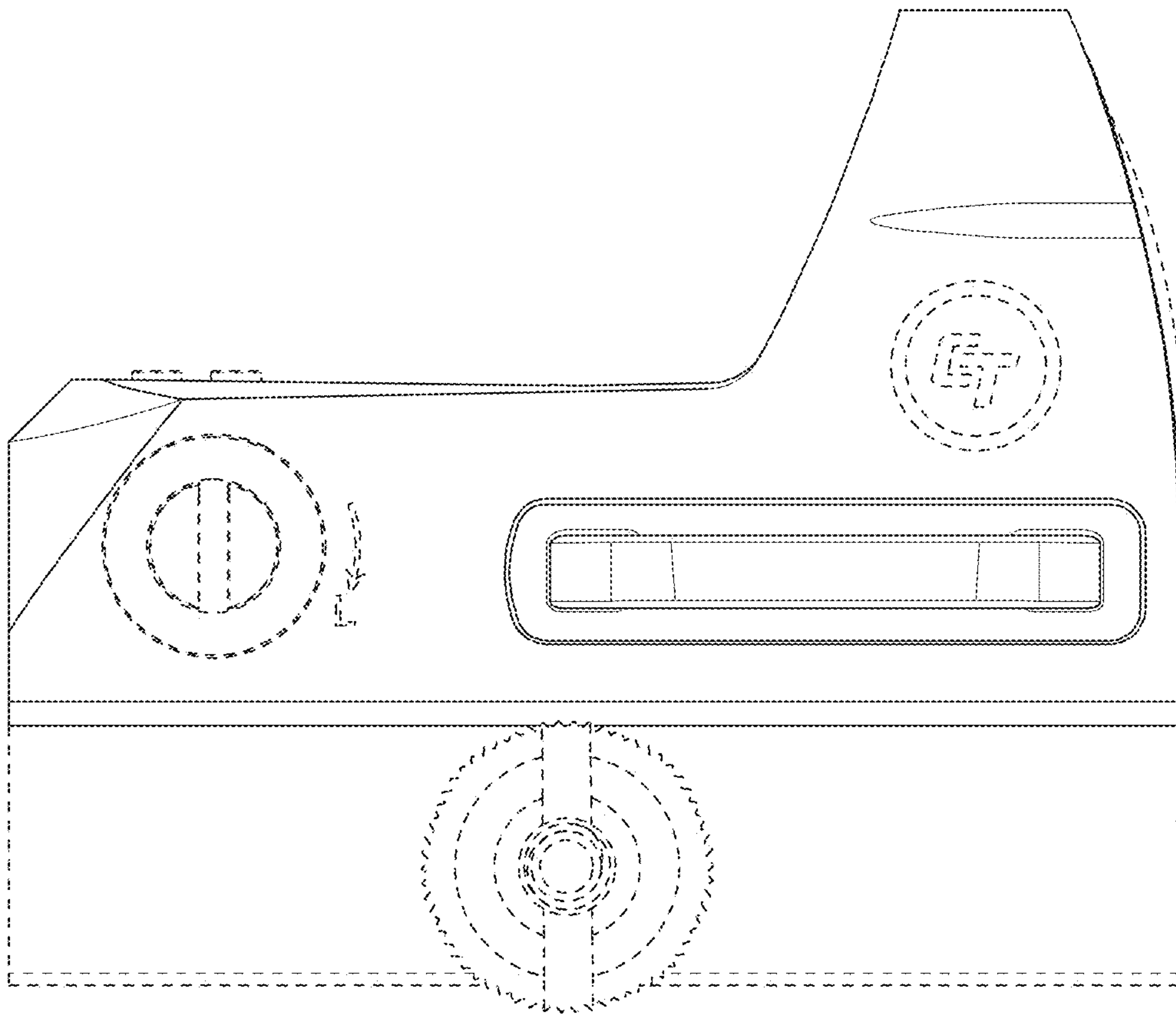


FIG. 4

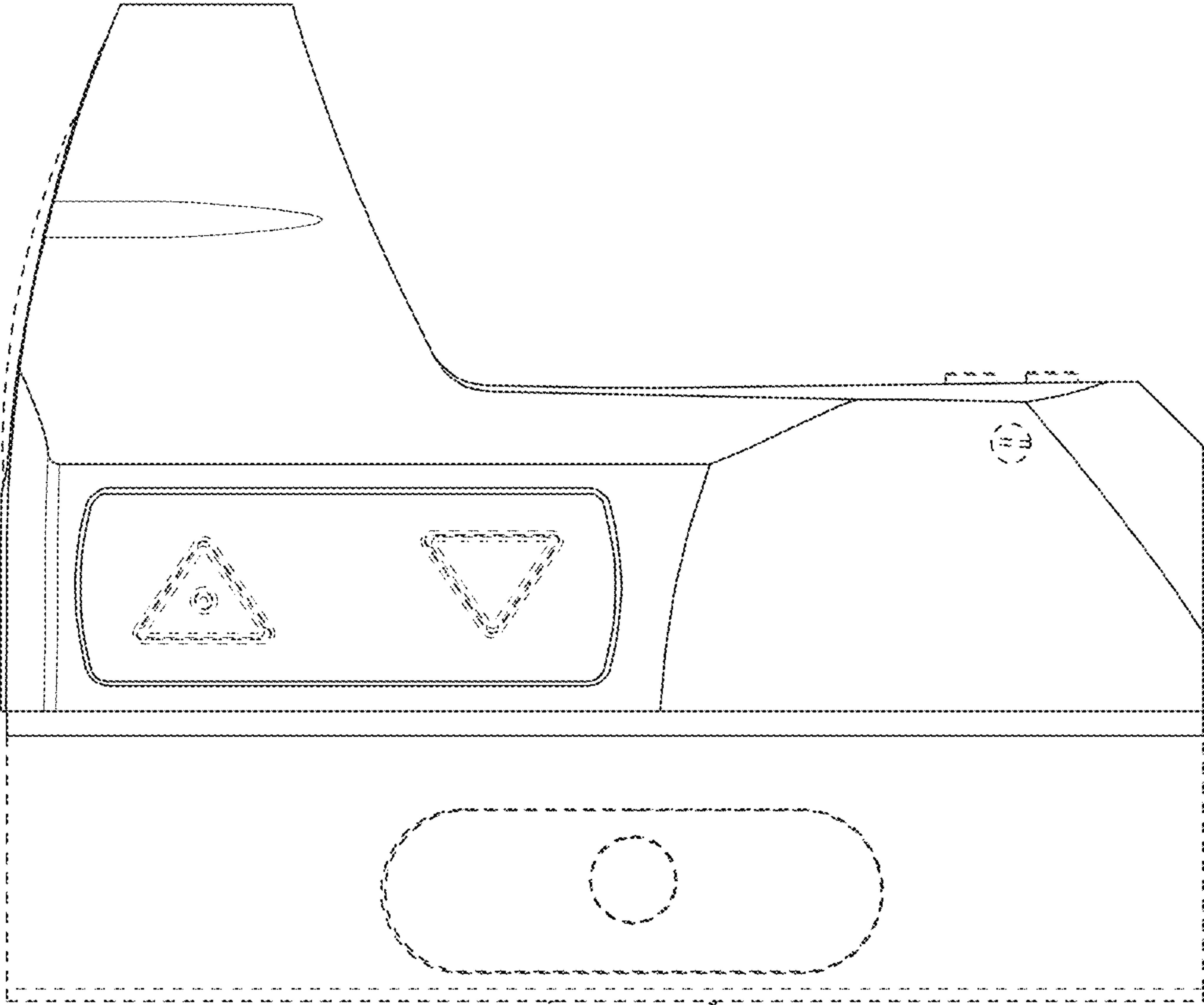


FIG. 5

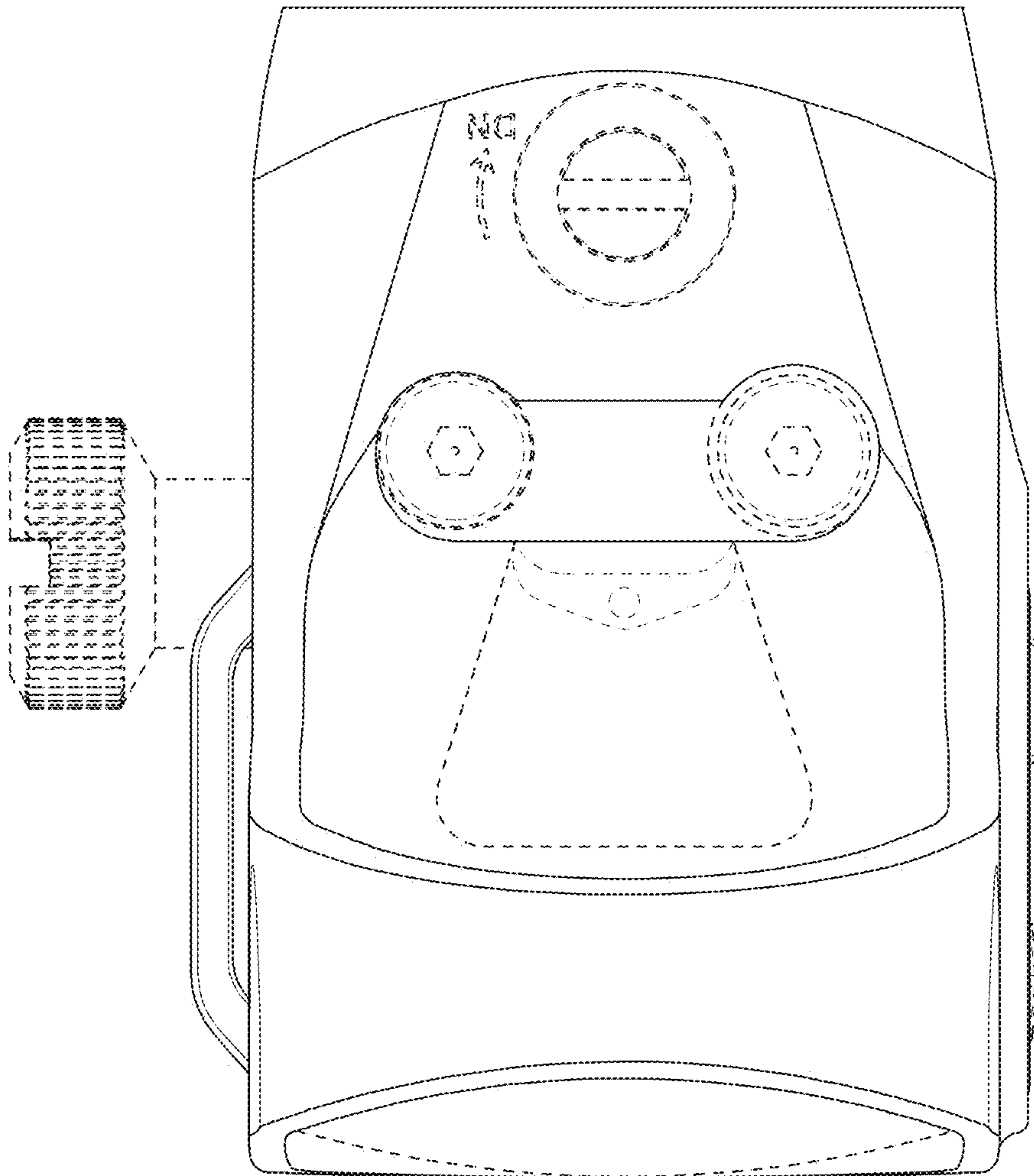


FIG. 6

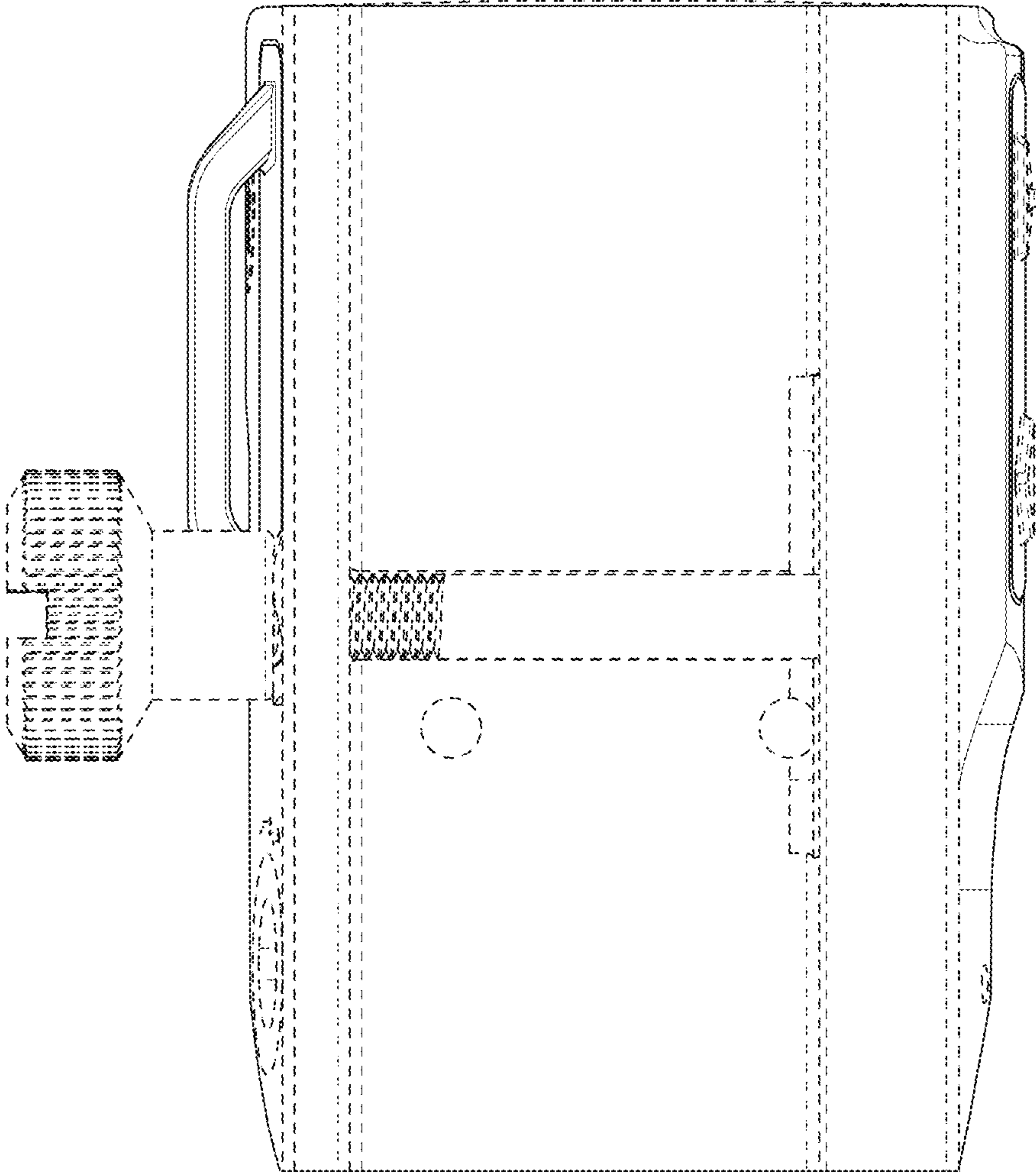


FIG. 7