



US00D895051S

(12) **United States Design Patent**
Crispin et al.

(10) **Patent No.:** **US D895,051 S**

(45) **Date of Patent:** **** Sep. 1, 2020**

(54) **OPTICAL SIGHT**

(71) Applicant: **LEUPOLD & STEVENS, INC.**,
Beaverton, OR (US)

(72) Inventors: **Quint Crispin**, Beaverton, OR (US);
Matt Davis, Beaverton, OR (US)

(73) Assignee: **LEUPOLD & STEVENS, INC.**,
Beaverton, OR (US)

(**) Term: **15 Years**

(21) Appl. No.: **29/657,518**

(22) Filed: **Jul. 23, 2018**

Related U.S. Application Data

(63) Continuation of application No. 15/405,186, filed on
Jan. 12, 2017, now abandoned.

(51) **LOC (12) Cl.** **22-01**

(52) **U.S. Cl.**
USPC **D22/109**

(58) **Field of Classification Search**
USPC D22/109
CPC . F41G 11/003; F41G 1/00; F41G 1/16; F41G
1/345

See application file for complete search history.

(56) **References Cited**

U.S. PATENT DOCUMENTS

4,417,814 A	11/1983	Doliber	
4,863,269 A	9/1989	Ellis	
6,327,806 B1	12/2001	Paige	
6,516,551 B2	2/2003	Gaber	
7,355,790 B1	4/2008	Wagner et al.	
D612,756 S *	3/2010	D'Amelio	D10/70
D742,991 S *	11/2015	Klecker	D22/109

D747,431 S *	1/2016	Cheng	D22/109
9,453,706 B1	9/2016	Crispin	
D784,480 S *	4/2017	Oz	D22/109
D837,927 S *	1/2019	Trulsson	D22/109
2015/0198421 A1	7/2015	Crispin	
2015/0241175 A1	8/2015	Wolf	
2016/0102943 A1*	4/2016	Teetzel	F41G 1/35 42/113

* cited by examiner

Primary Examiner — Michael A. Pratt

(74) *Attorney, Agent, or Firm* — McCoy Russell LLP

(57) **CLAIM**

The ornamental design for an optical sight, as shown and described.

DESCRIPTION

FIG. 1 is a top-right-rear perspective view of an optical sight according to the present invention.

FIG. 2 is a top-left-front perspective view of the optical sight.

FIG. 3 is a bottom-right-front perspective view of the optical sight.

FIG. 4 is a bottom-right-rear perspective view of the optical sight.

FIG. 5 is a rear view of the optical sight.

FIG. 6 is a front view of the optical sight.

FIG. 7 is a left view of the optical sight.

FIG. 8 is a right view of the optical sight.

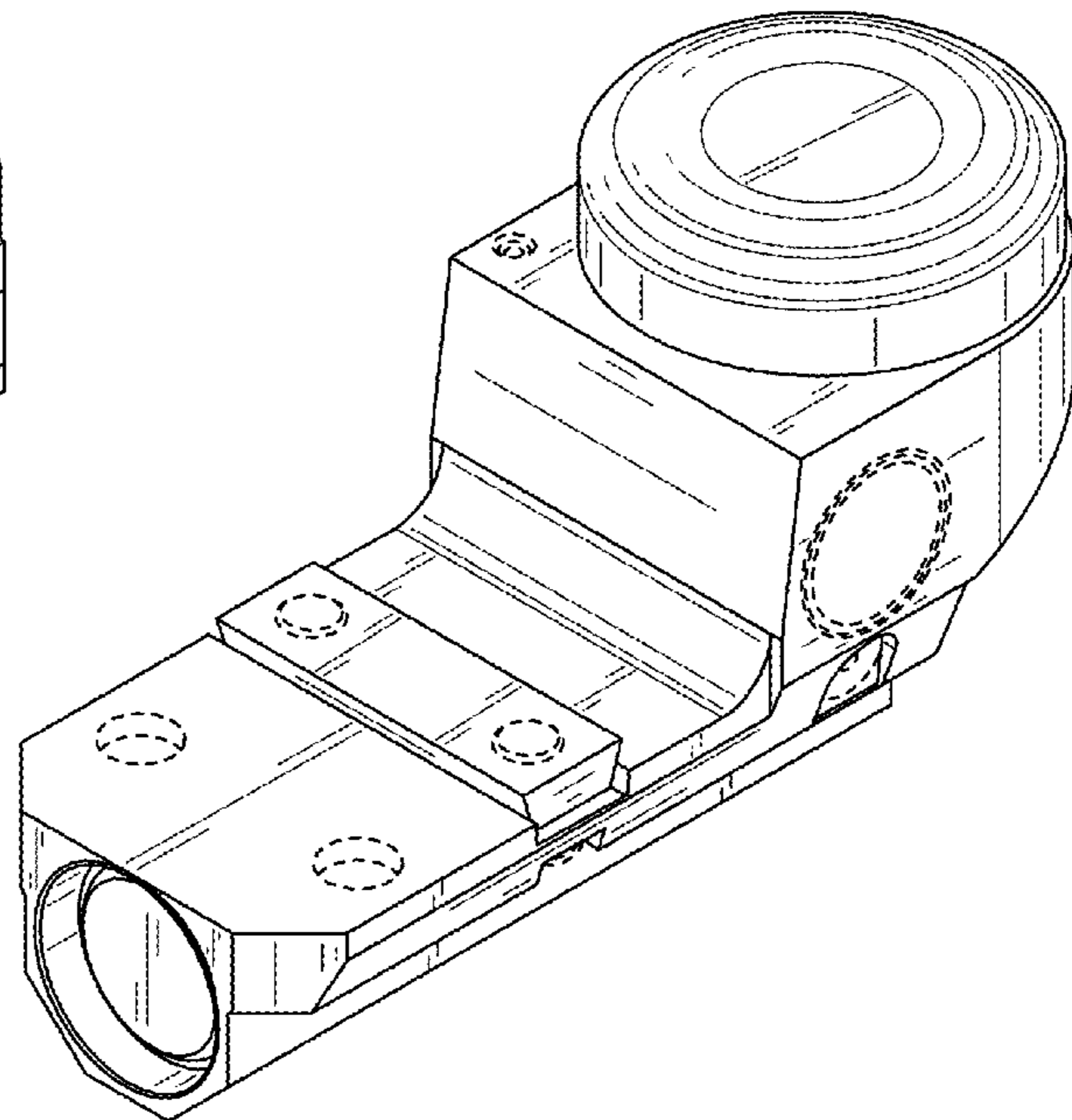
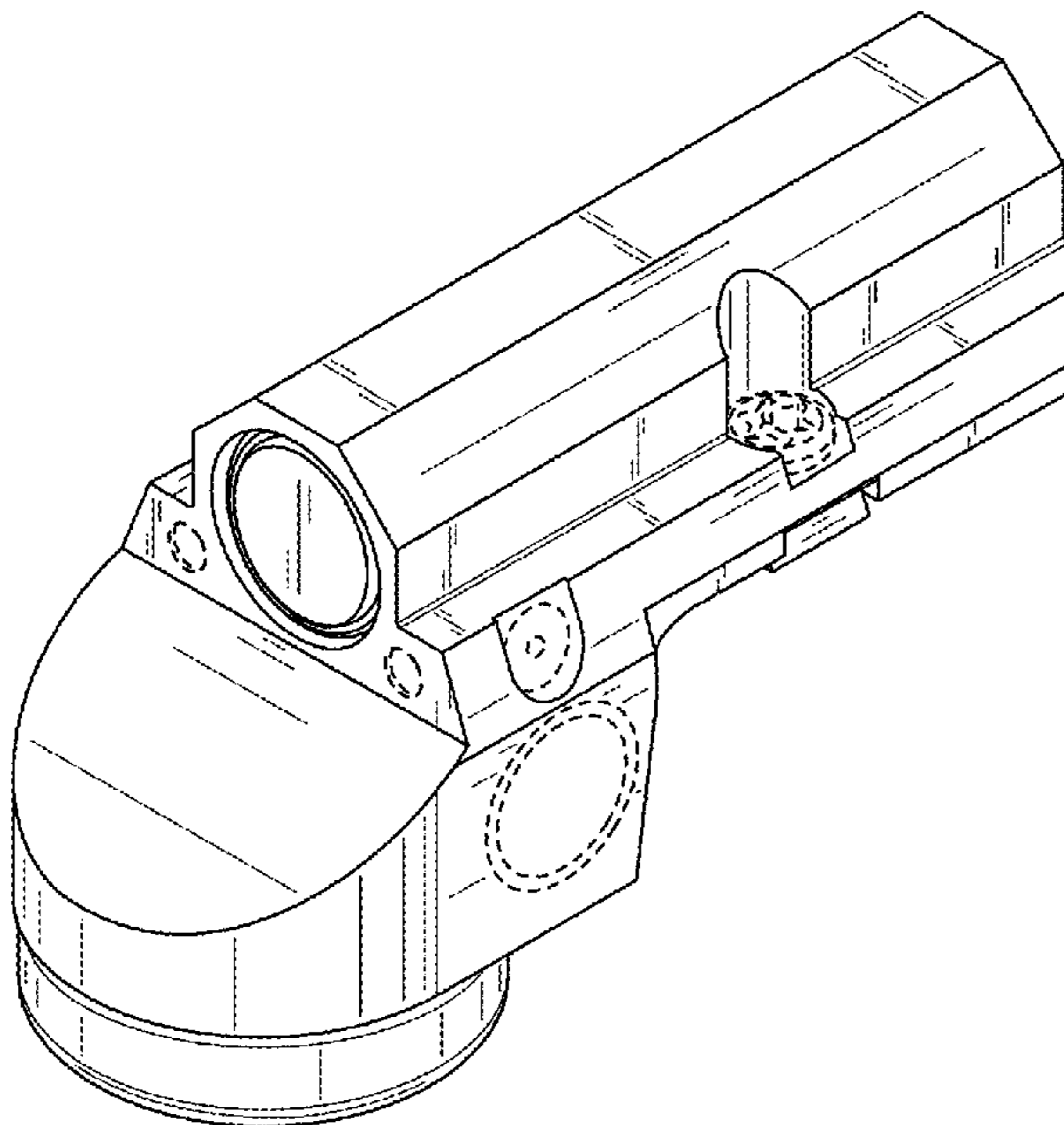
FIG. 9 is a top view of the optical sight.

FIG. 10 is a bottom view of the optical sight; and,

FIG. 11 is a left view of the optical sight, with the firearm shown in environment.

The broken lines in the drawings indicate portions of the optical sight and environmental subject matter that form no part of the claimed design.

1 Claim, 11 Drawing Sheets



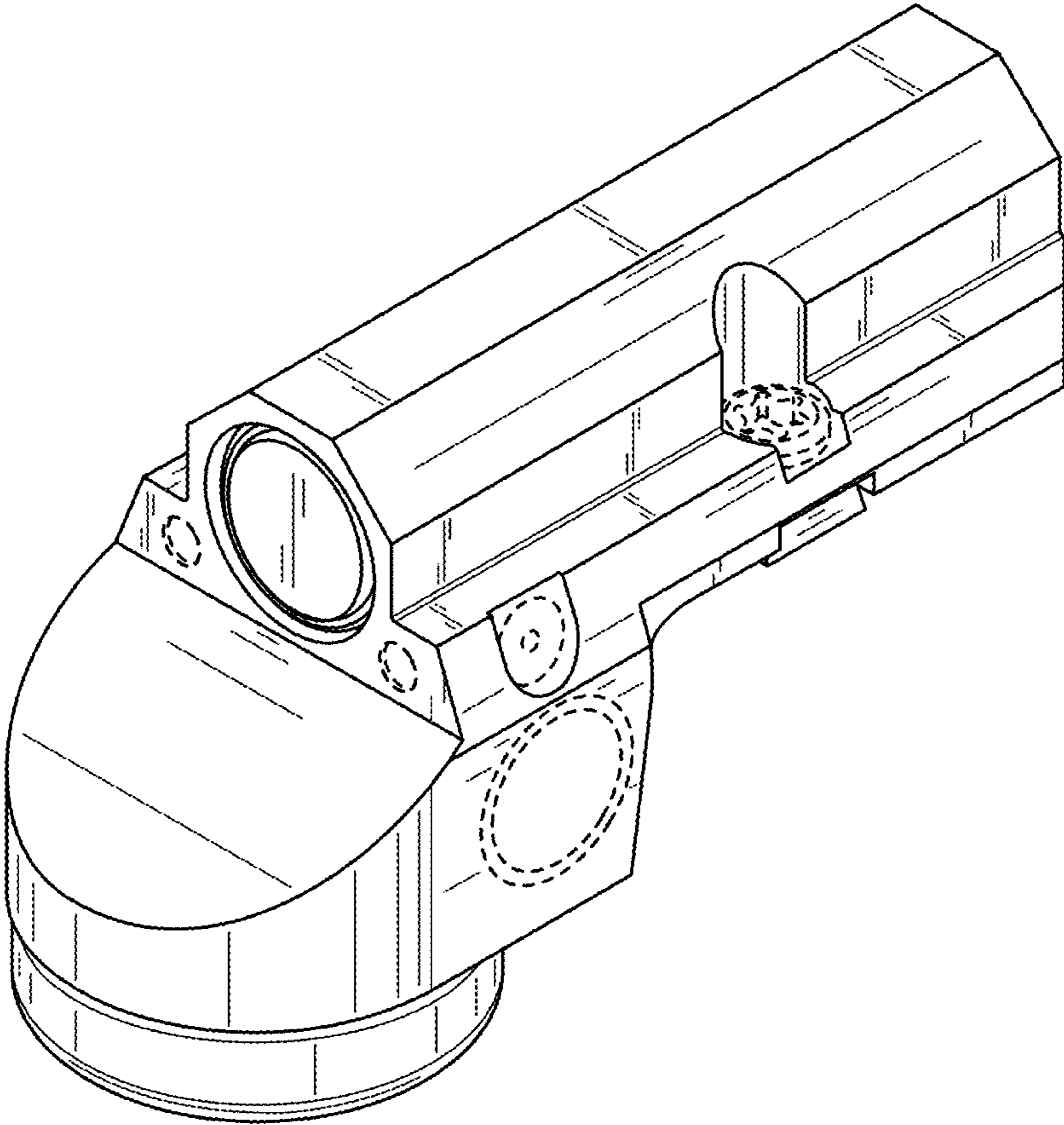


FIG. 1

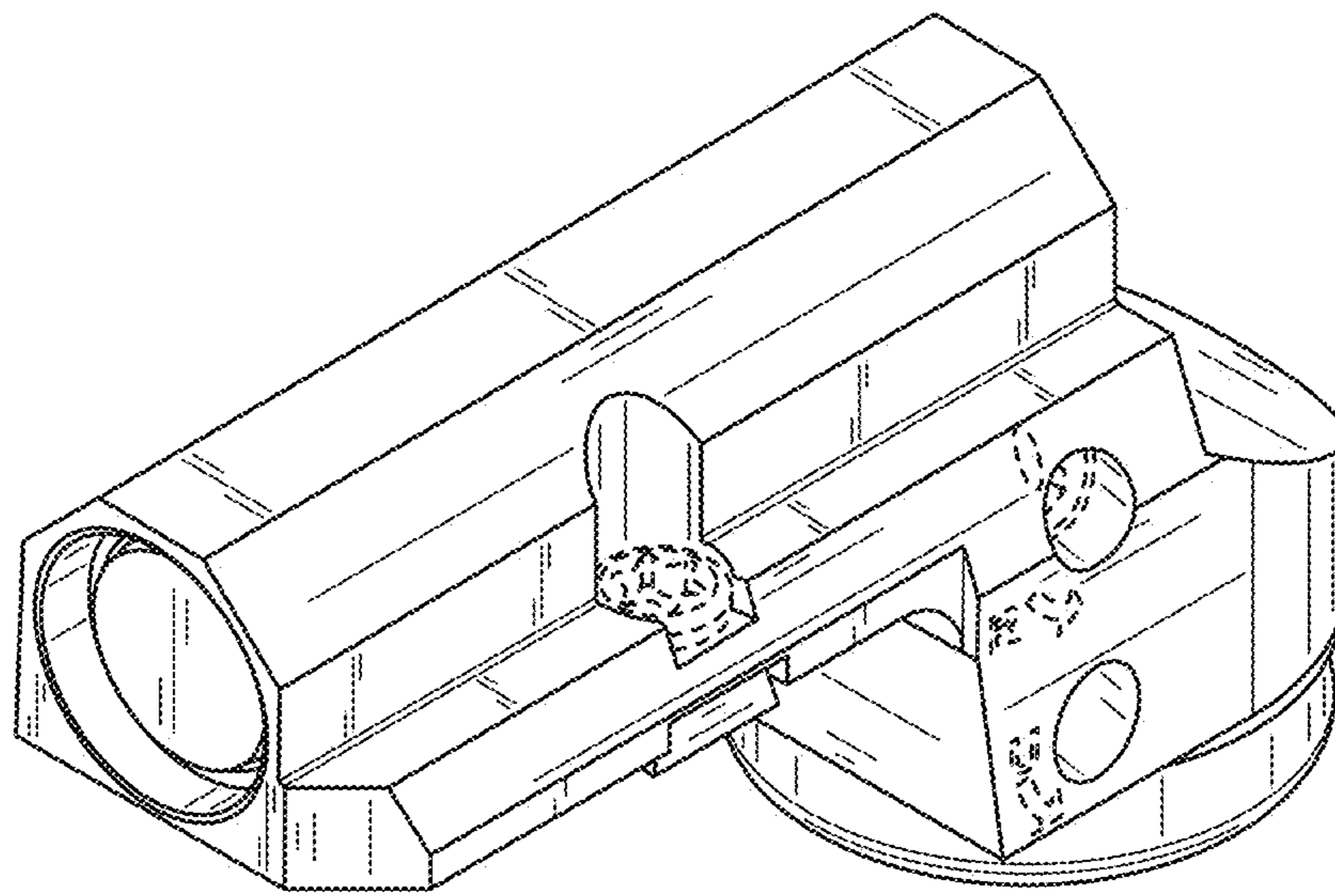


FIG. 2

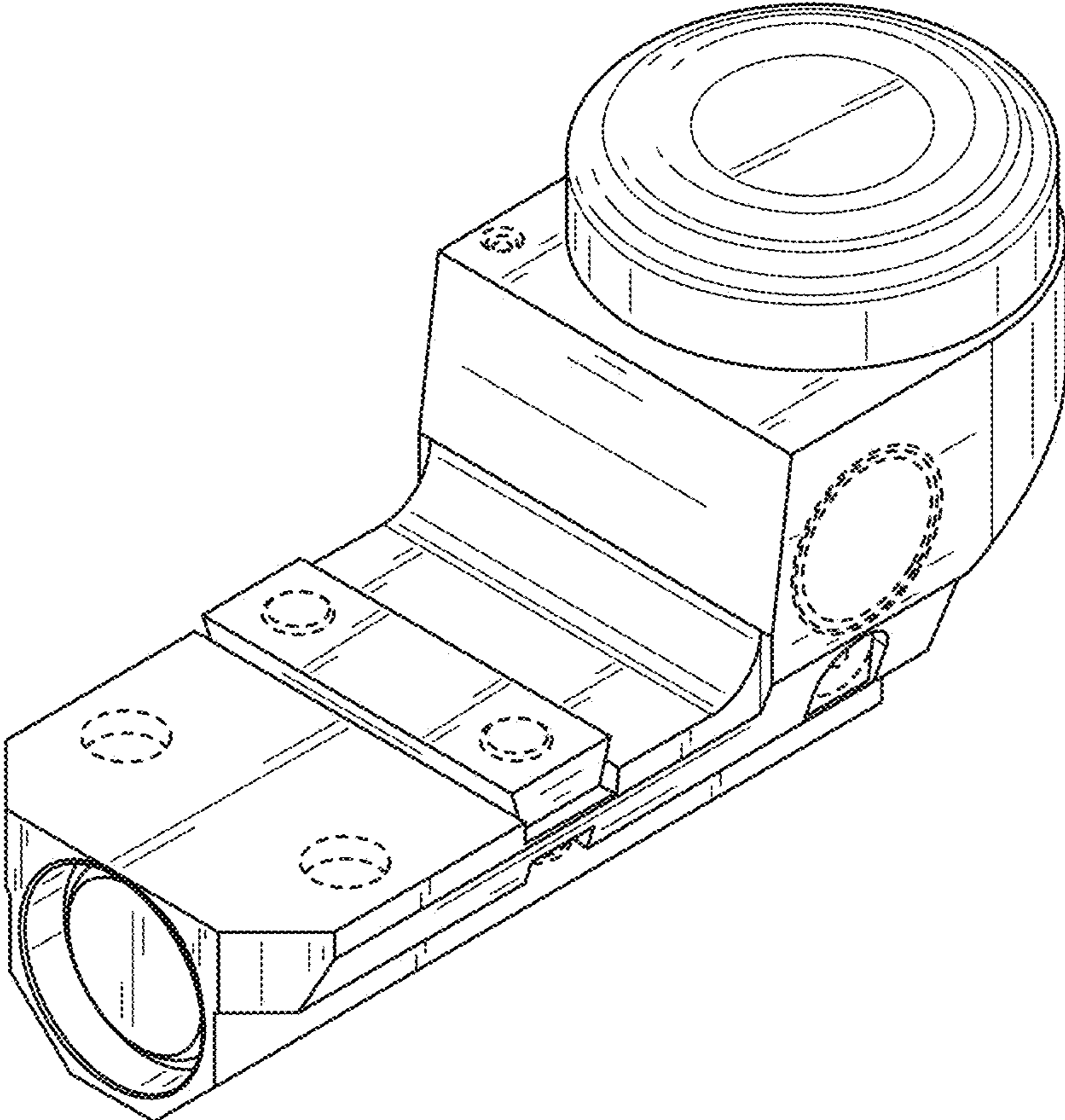


FIG. 3

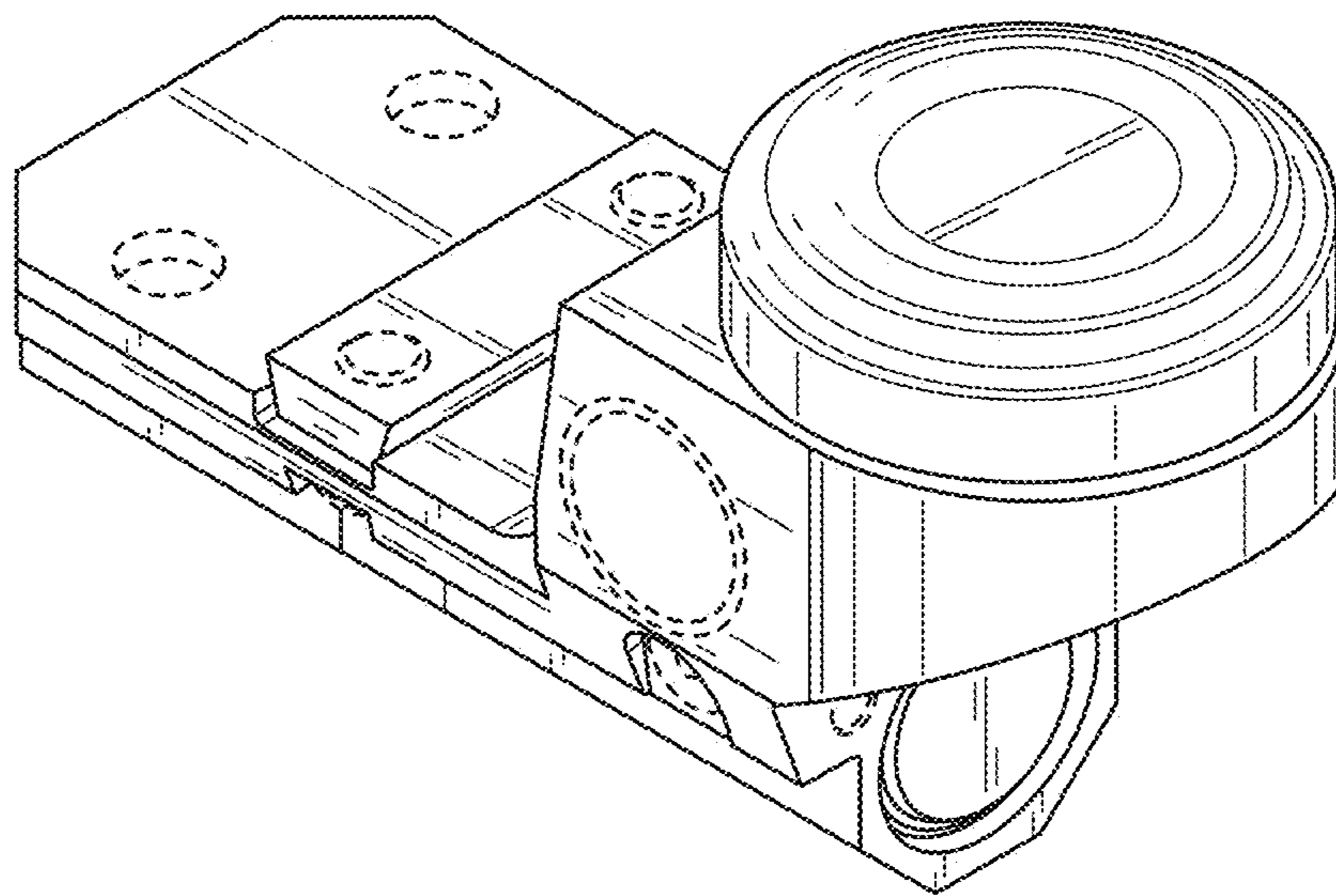


FIG. 4

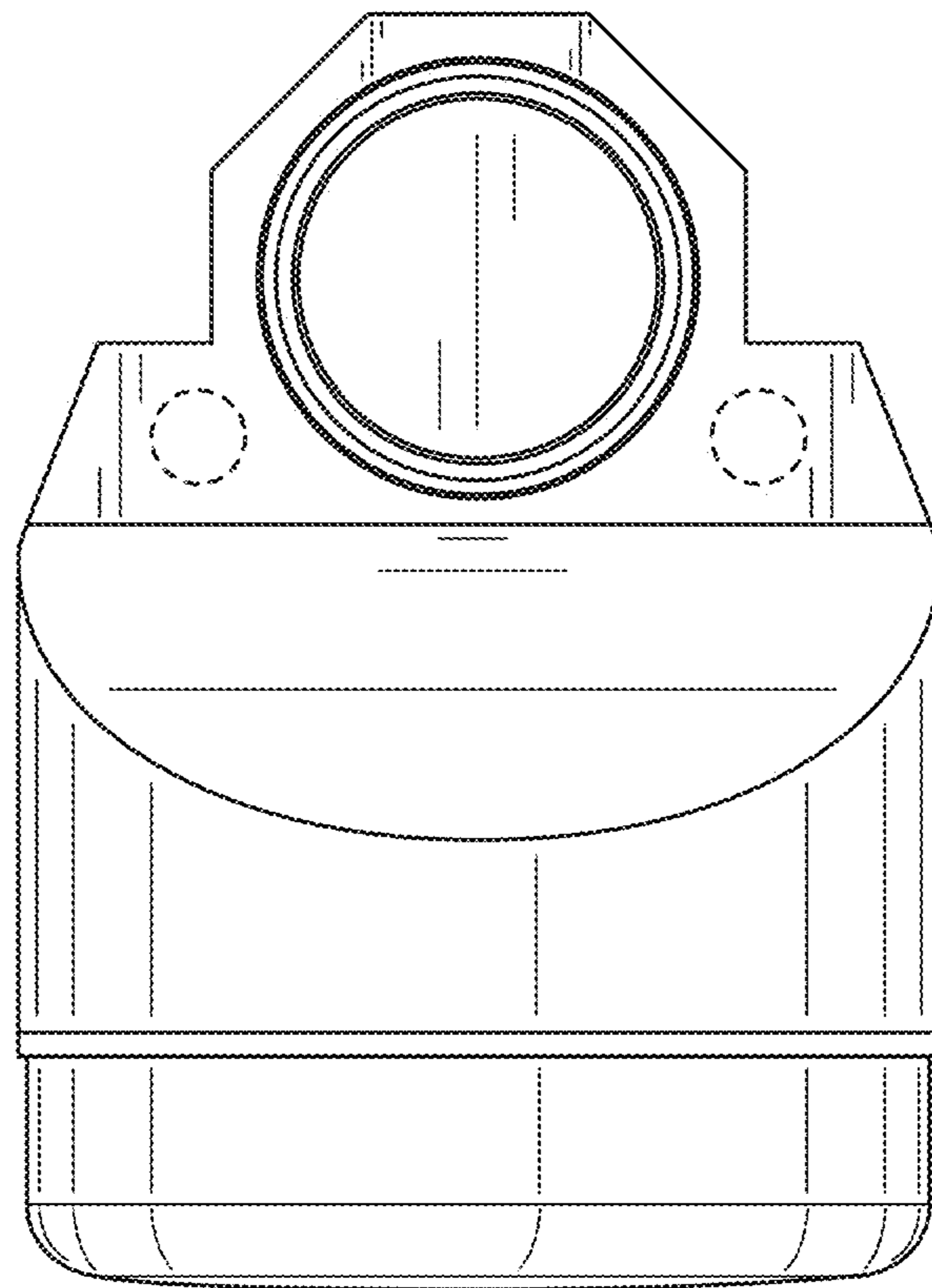


FIG. 5

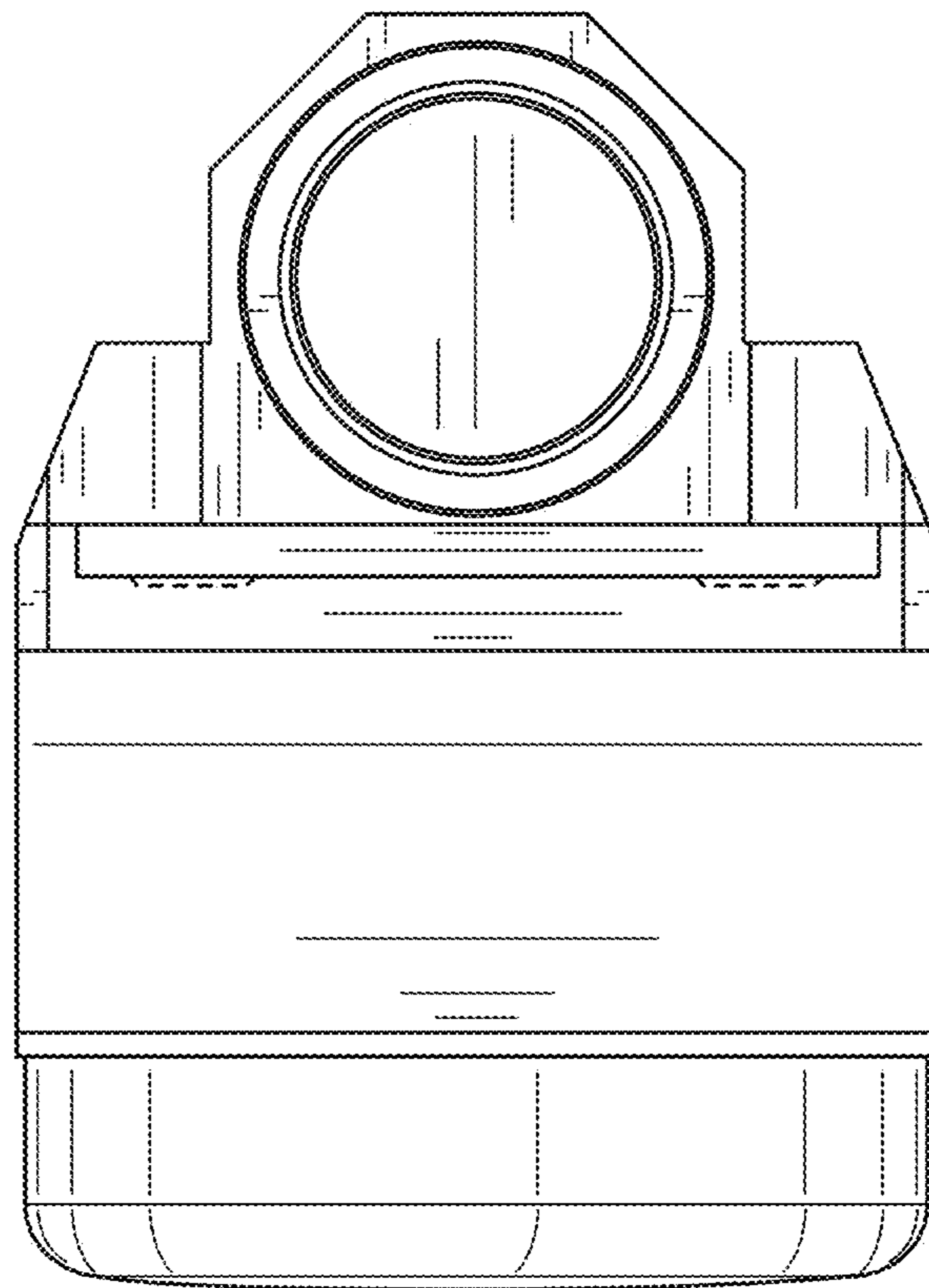


FIG. 6

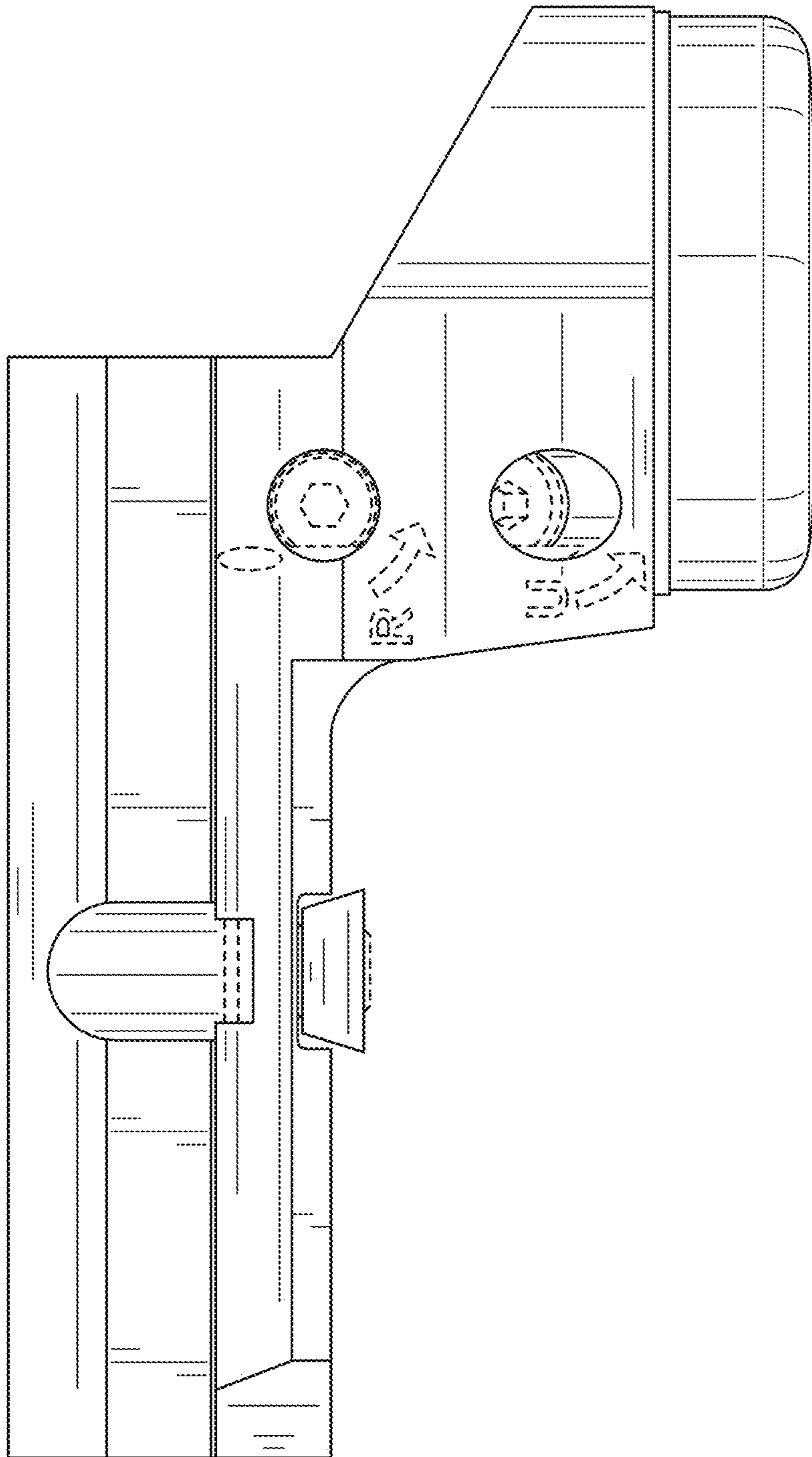


FIG. 7

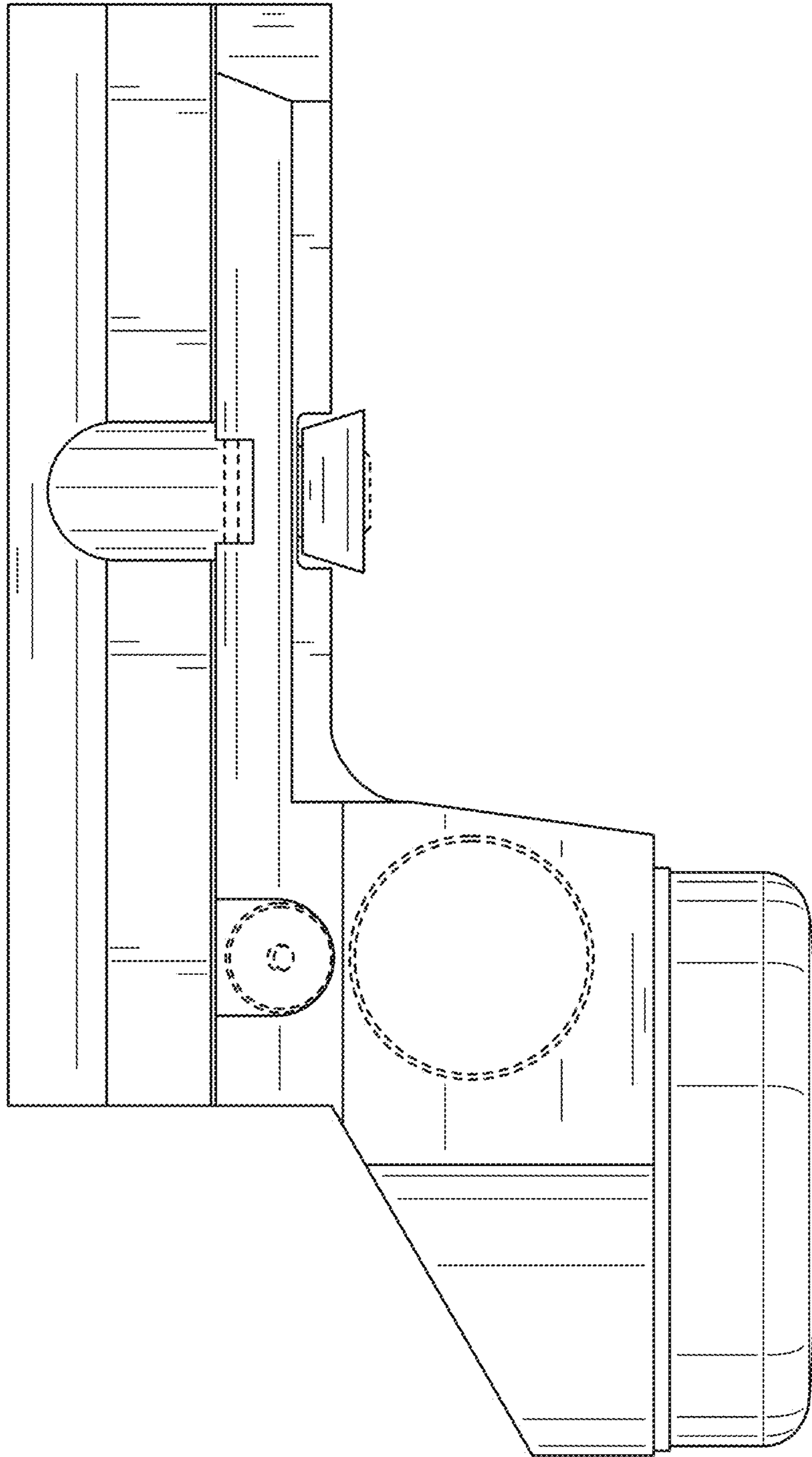


FIG. 8

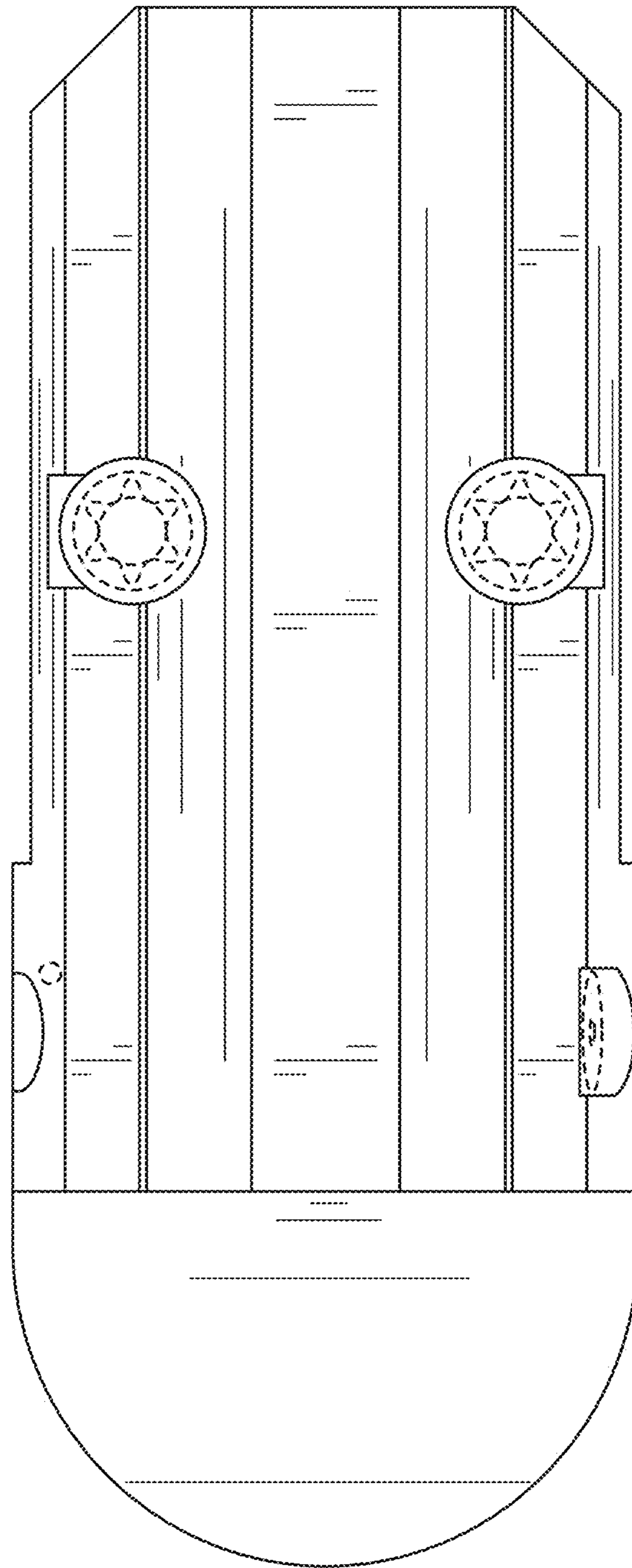


FIG. 9

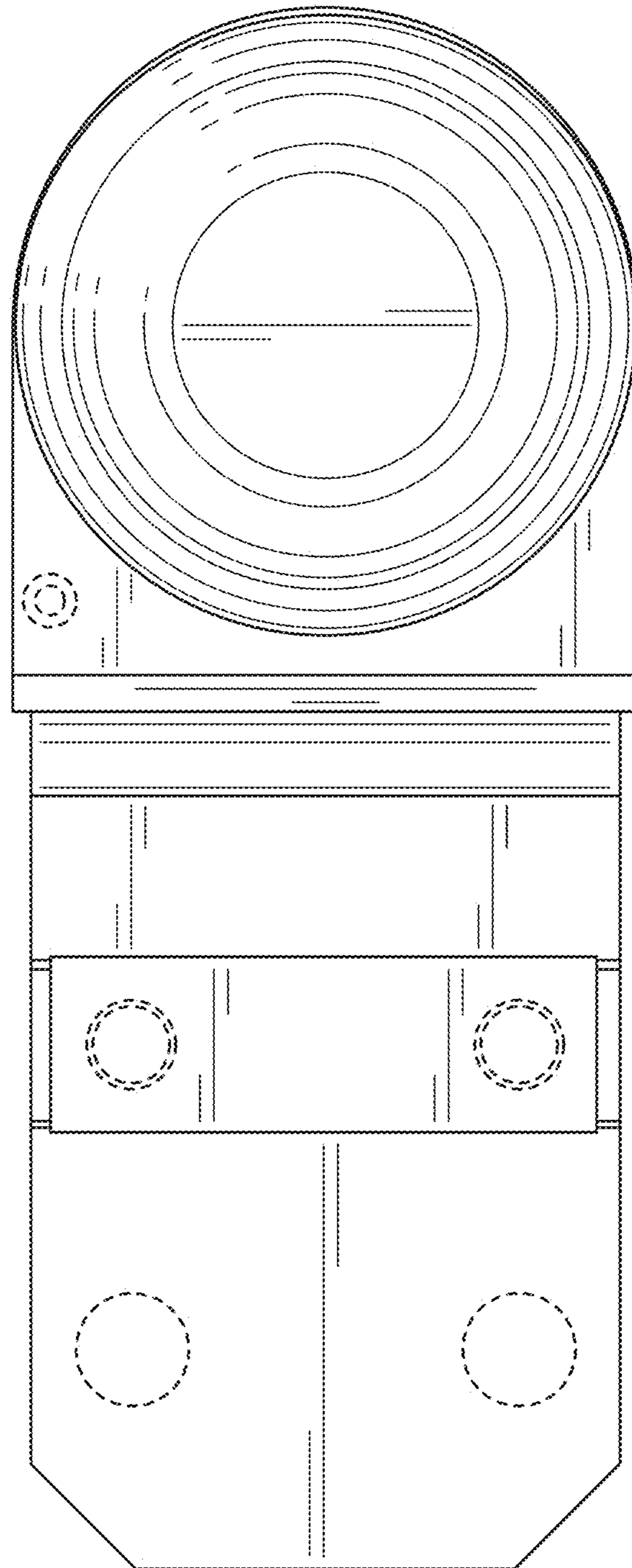


FIG. 10

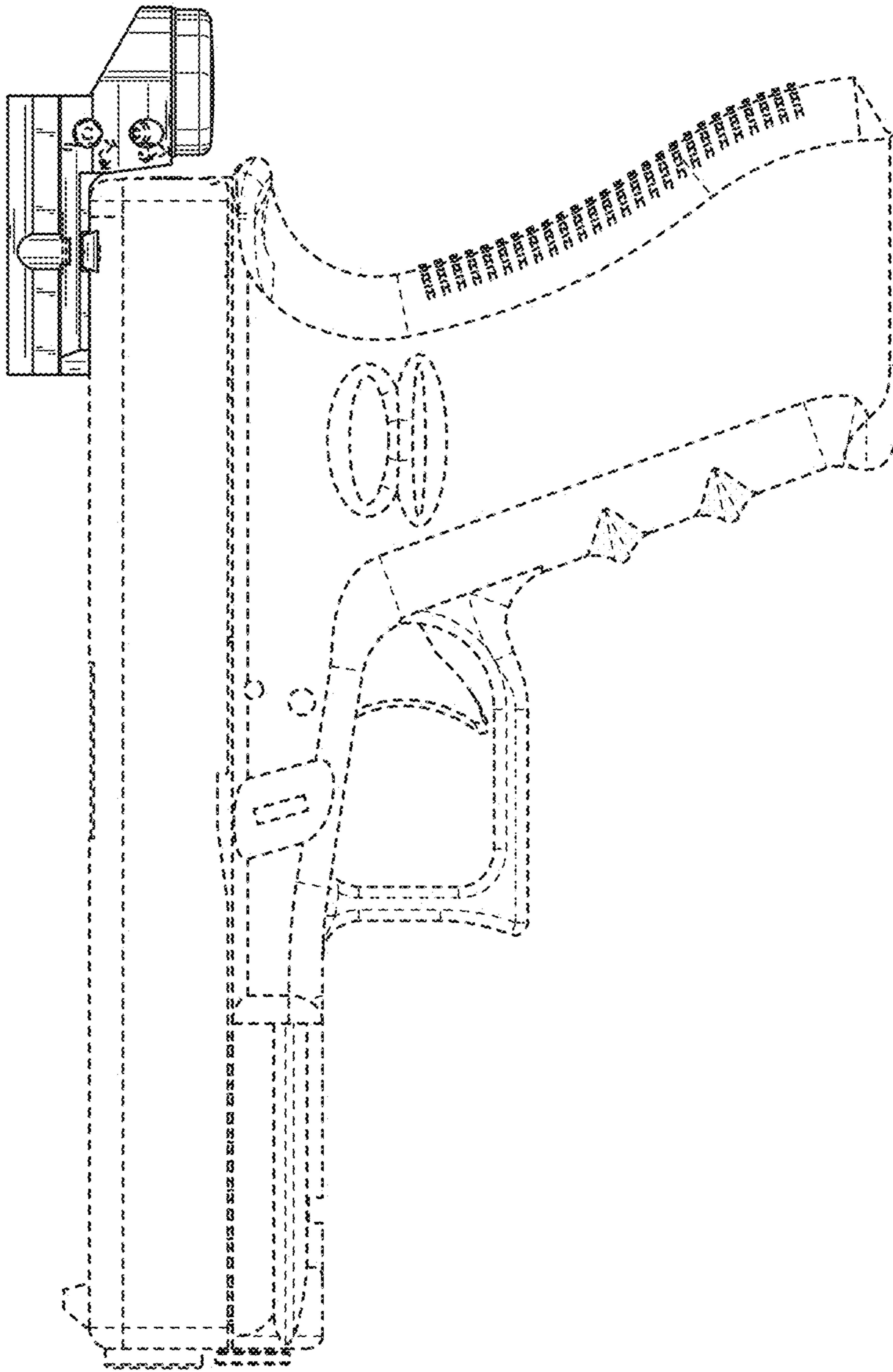


FIG. 11

UNITED STATES PATENT AND TRADEMARK OFFICE
CERTIFICATE OF CORRECTION

PATENT NO. : D895,051 S
APPLICATION NO. : 29/657518
DATED : September 1, 2020
INVENTOR(S) : Quint Crispin and Matt Davis

Page 1 of 1

It is certified that error appears in the above-identified patent and that said Letters Patent is hereby corrected as shown below:

On the Title Page

Item (63) of the Related U.S. Application Data section: "15/405,186" is corrected to read
--15/405,196--.

Signed and Sealed this
Twenty-fourth Day of August, 2021



Drew Hirshfeld
*Performing the Functions and Duties of the
Under Secretary of Commerce for Intellectual Property and
Director of the United States Patent and Trademark Office*