



US00D895050S

(12) **United States Design Patent**  
**Larsson et al.**

(10) **Patent No.:** **US D895,050 S**

(45) **Date of Patent:** **\*\* Sep. 1, 2020**

(54) **SIGHT**

(71) Applicant: **Aimpoint AB**, Malmö (SE)

(72) Inventors: **Niklas Larsson**, Åkarp (SE); **Elias Durgè**, Demark (SE)

(73) Assignee: **Aimpoint AB** (SE)

(\*\*) Term: **15 Years**

(21) Appl. No.: **29/653,808**

(22) Filed: **Jun. 19, 2018**

(30) **Foreign Application Priority Data**

Dec. 20, 2017 (EM) ..... 004558500-0001

(51) **LOC (12) Cl.** ..... **22-01**

(52) **U.S. Cl.**  
USPC ..... **D22/109**

(58) **Field of Classification Search**  
USPC ..... D22/100–111, 115–116, 119–120, 199;  
D21/300, 301, 573–575  
CPC . F41G 1/02; F41G 1/027; F41G 1/033; F41G  
1/06; F41G 3/26; F41C 23/10; F41C  
23/16; F41J 1/00

See application file for complete search history.

(56) **References Cited**

**U.S. PATENT DOCUMENTS**

D515,118 S *	2/2006	Larsson	.....	D16/132
D615,141 S *	5/2010	Leighton	.....	D22/108
D616,956 S *	6/2010	Hamilton	.....	D22/108
D619,190 S *	7/2010	Larsson	.....	D22/108
D704,297 S *	5/2014	Cheng	.....	D22/109
D717,390 S *	11/2014	Rogers	.....	D22/108
8,911,103 B2 *	12/2014	Matthews	.....	A45F 5/02 362/190
D728,062 S *	4/2015	Hamilton	.....	D22/109
D732,137 S *	6/2015	Hamilton	.....	D22/109
D752,701 S *	3/2016	Bengtsson	.....	D22/109

D774,158 S *	12/2016	Cheng	.....	D22/109
D787,627 S *	5/2017	Horton	.....	D22/109
D790,097 S *	6/2017	Port	.....	D26/39
D795,989 S *	8/2017	Horton	.....	D22/109
D806,820 S *	1/2018	Larsson	.....	D22/109
D846,691 S *	4/2019	Cheng	.....	D22/109
2012/0055063 A1 *	3/2012	Lindau	.....	F41G 1/30 42/113
2017/0038177 A1 *	2/2017	Sun	.....	F41G 1/30

**OTHER PUBLICATIONS**

“Holosun Infiniti HS401R5 Red Dot Sight review” [online]. Optics Trade. [Published on Aug. 20, 2018]. Retrieved from the Internet: [https://www.youtube.com/watch?v=KJKYMTdT\\_pc](https://www.youtube.com/watch?v=KJKYMTdT_pc).\*

\* cited by examiner

*Primary Examiner* — Khawaja Anwar

*Assistant Examiner* — Mojtaba Tehrani

(74) *Attorney, Agent, or Firm* — Thomas|Horstemeyer, LLC

(57) **CLAIM**

The ornamental design for a sight, as shown and described.

**DESCRIPTION**

FIG. 1 is a perspective view of a sight showing my new design;

FIG. 2 is an end view thereof;

FIG. 3 is an end view thereof, from an end opposite that of FIG. 2;

FIG. 4 is a right side view thereof;

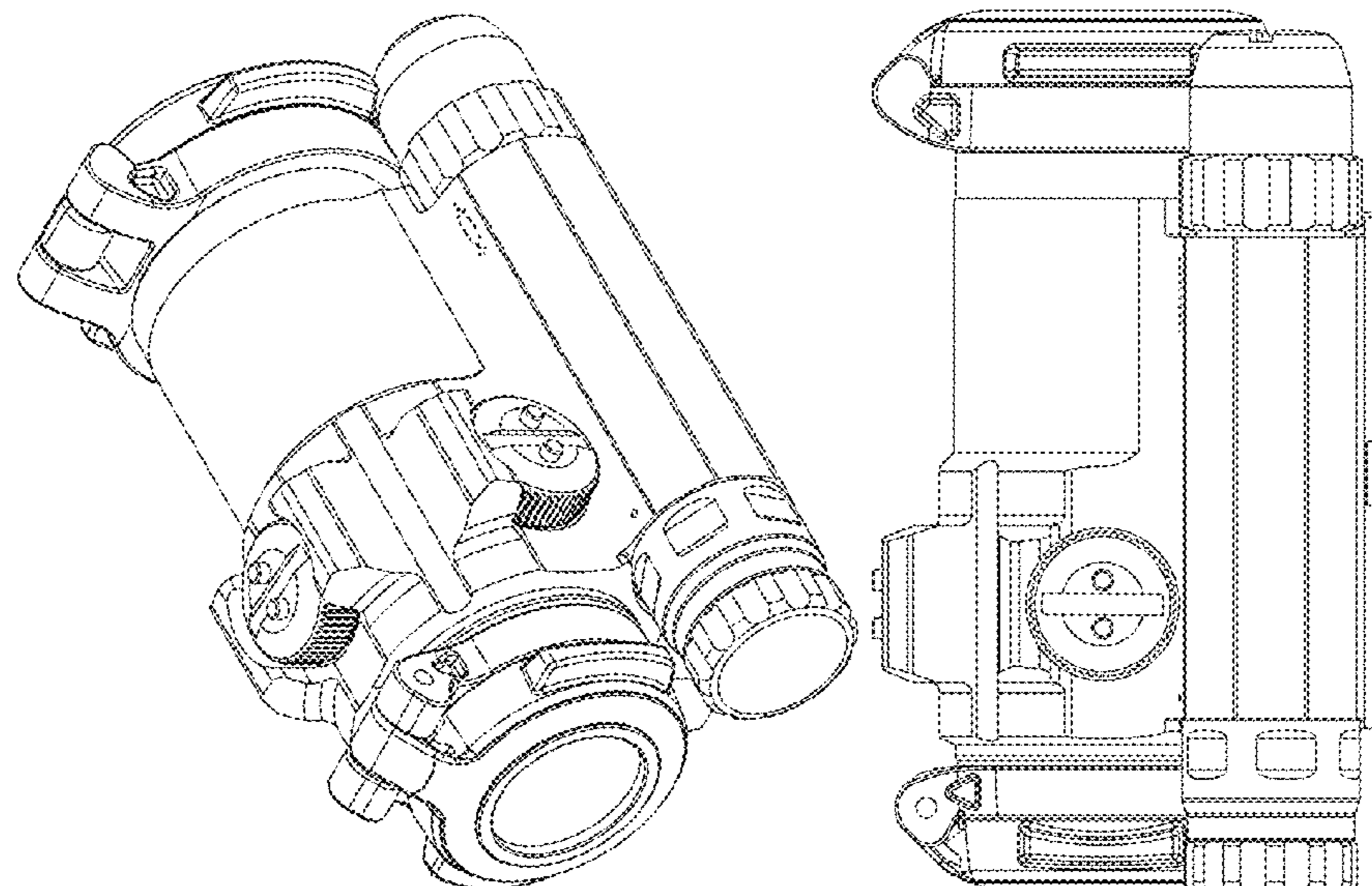
FIG. 5 is a left side view thereof, from a side opposite that of FIG. 4;

FIG. 6 is a top plan view thereof; and,

FIG. 7 is a bottom plan view thereof.

The broken lines shown in the drawings of the sight for firearm are for the purpose of illustrating the environment and form no part of the claimed design.

**1 Claim, 7 Drawing Sheets**



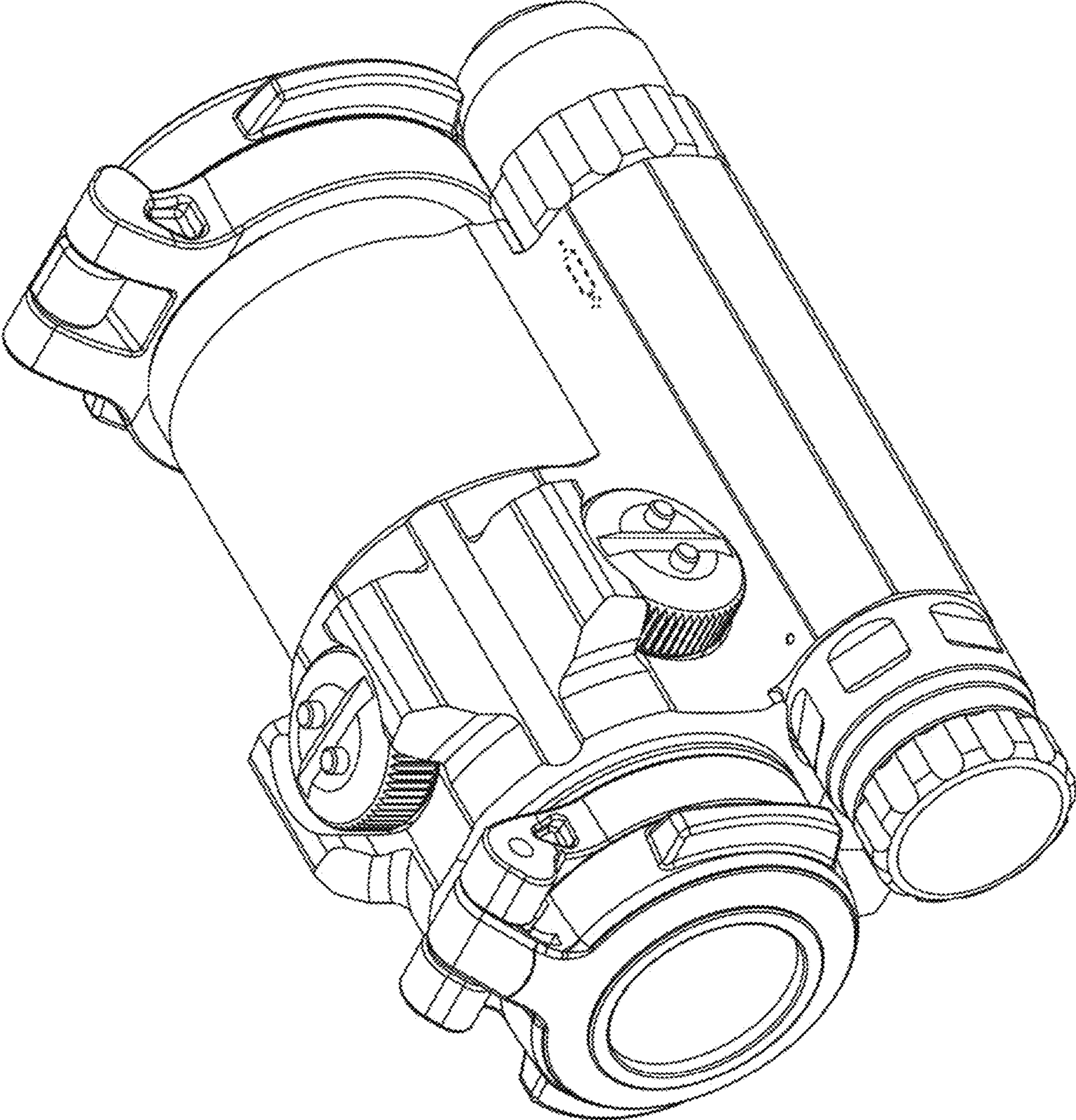


FIG. 1

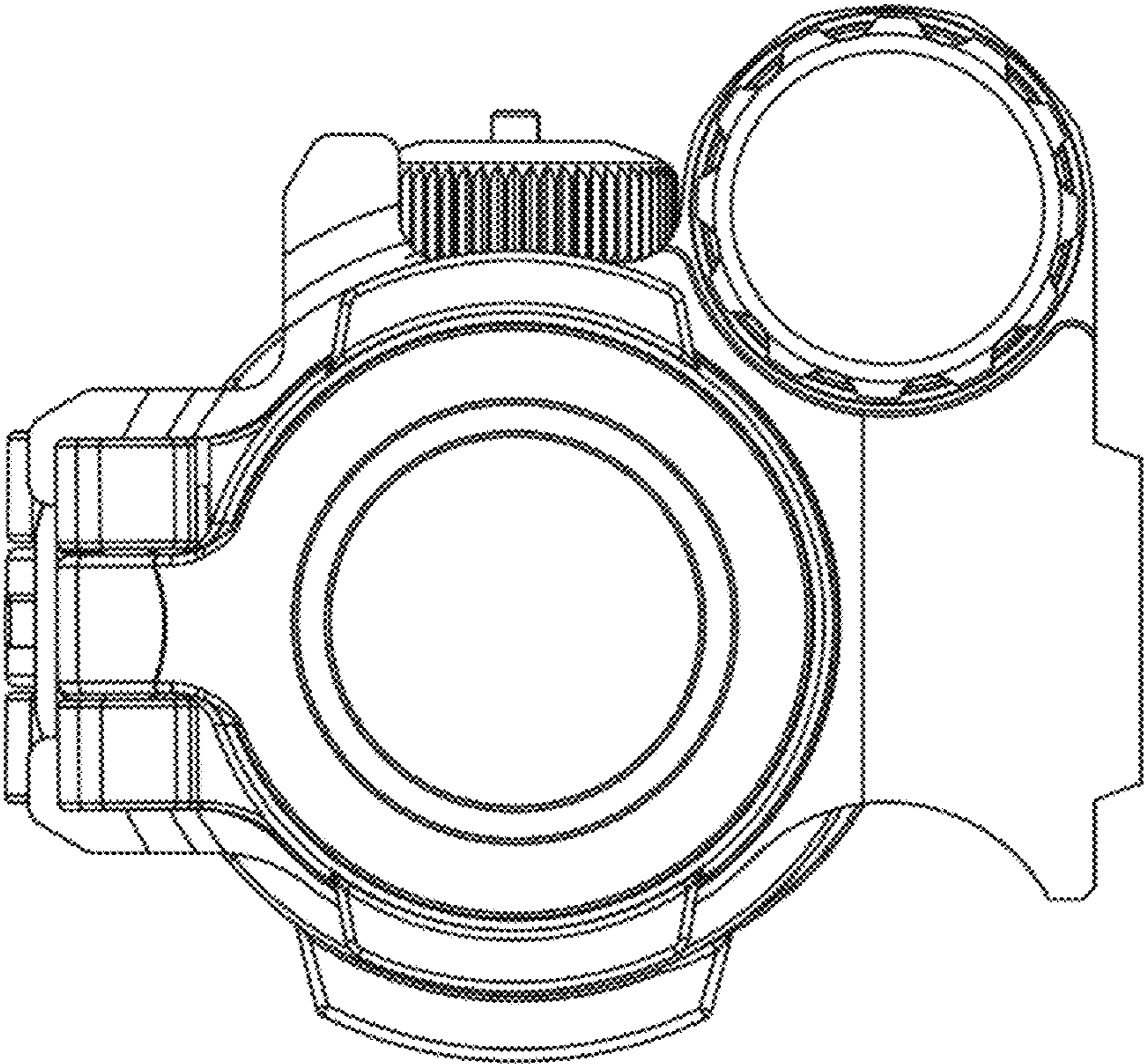


FIG. 2

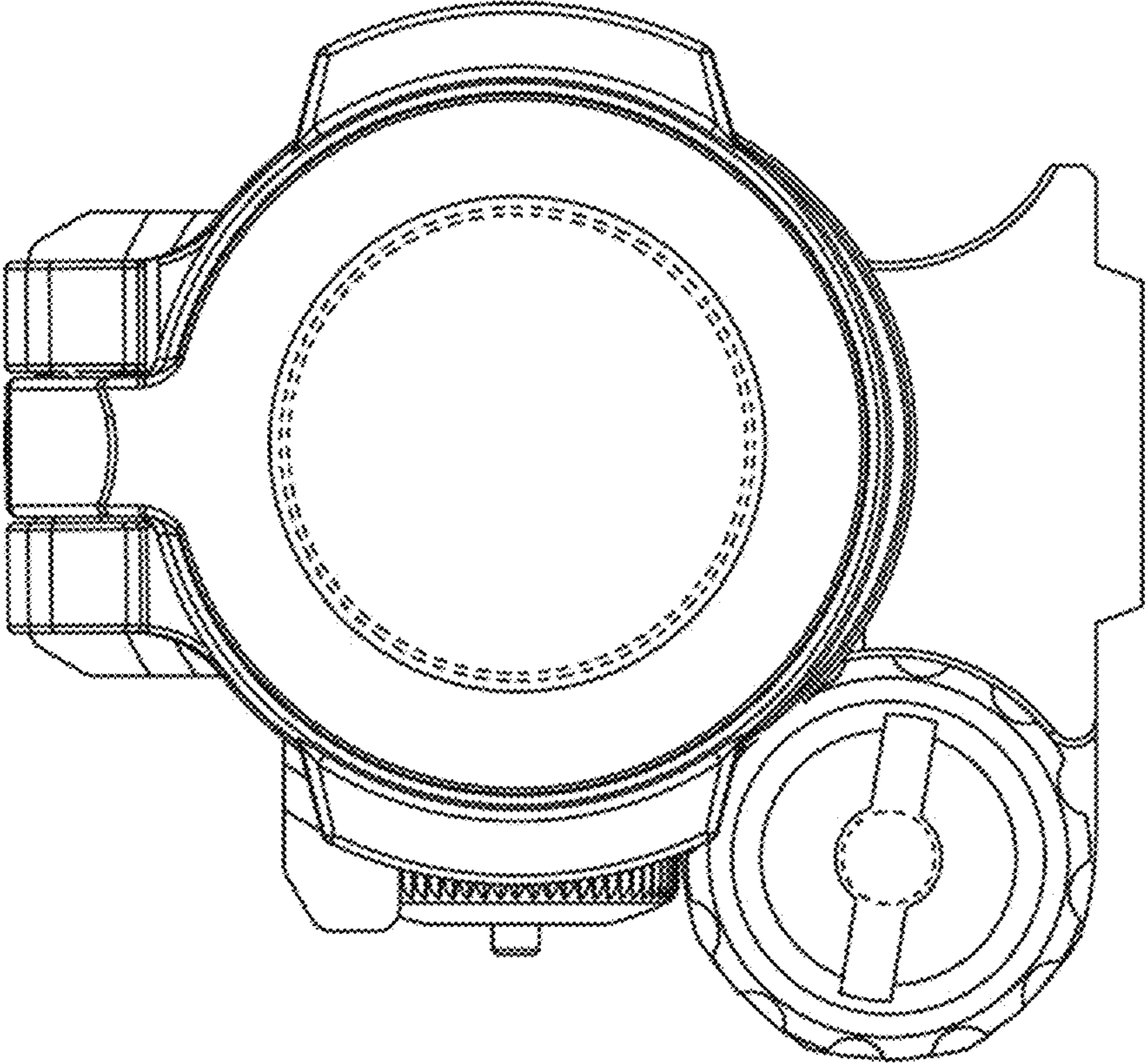


FIG. 3

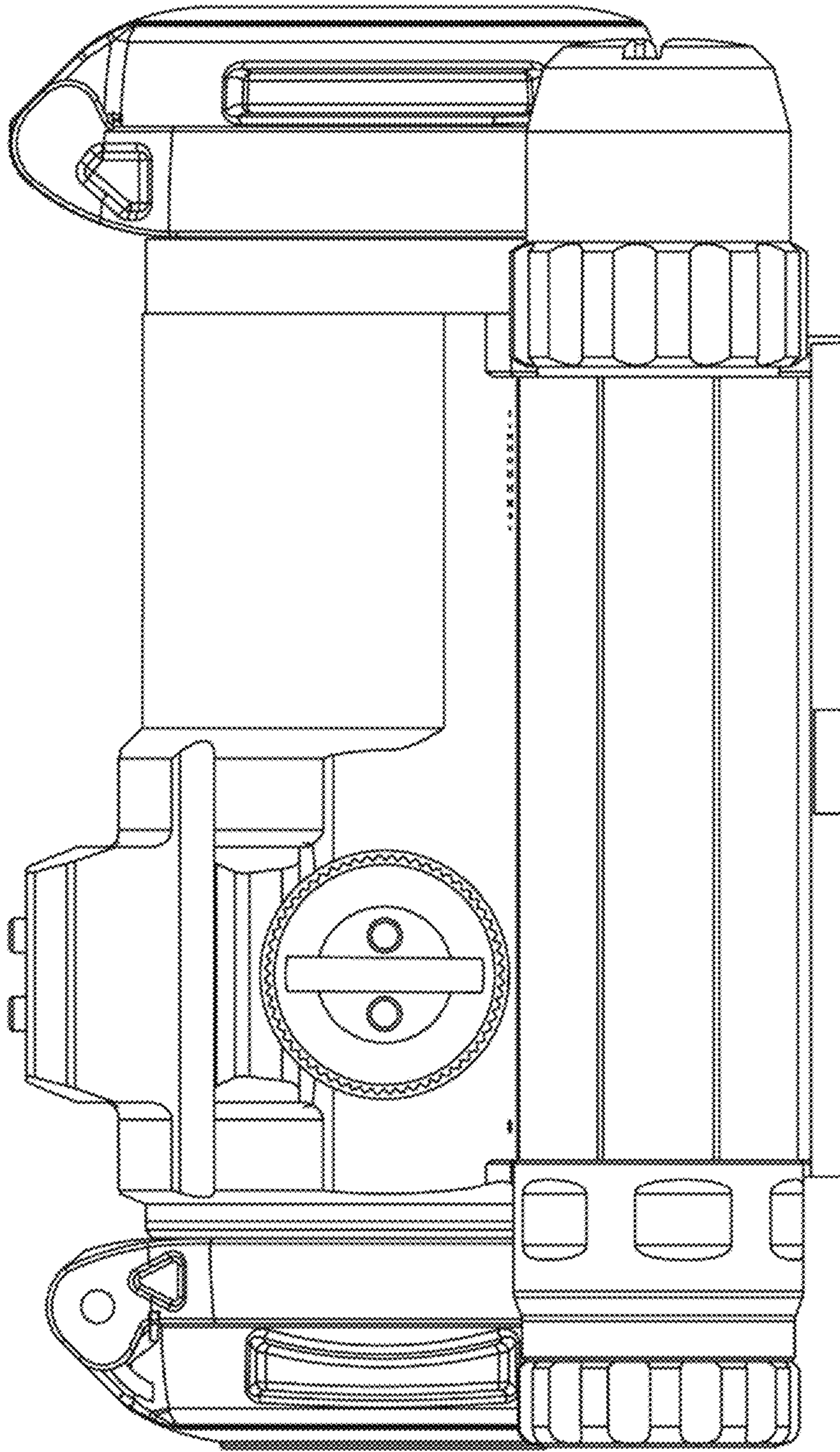


FIG. 4

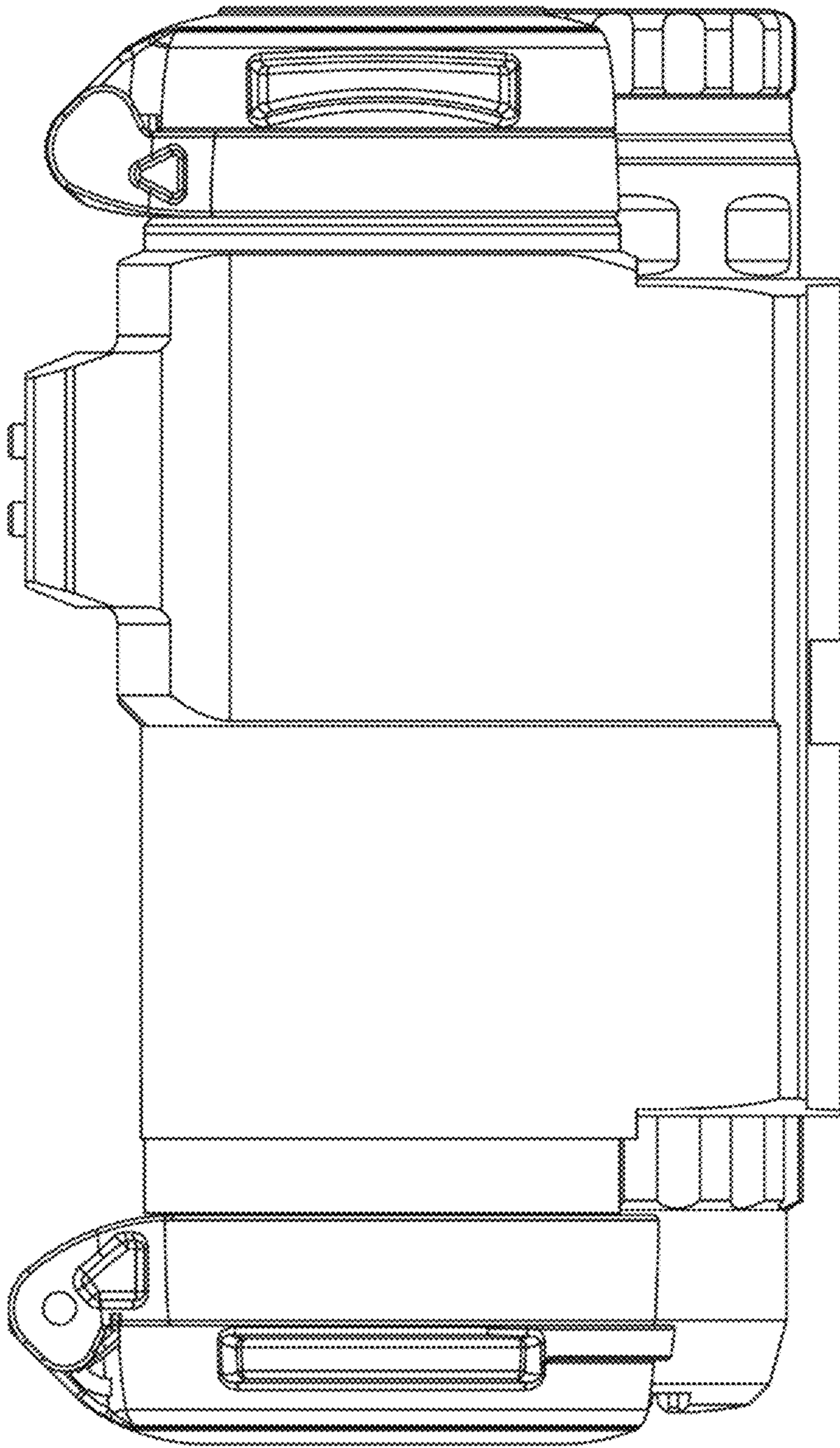


FIG. 5

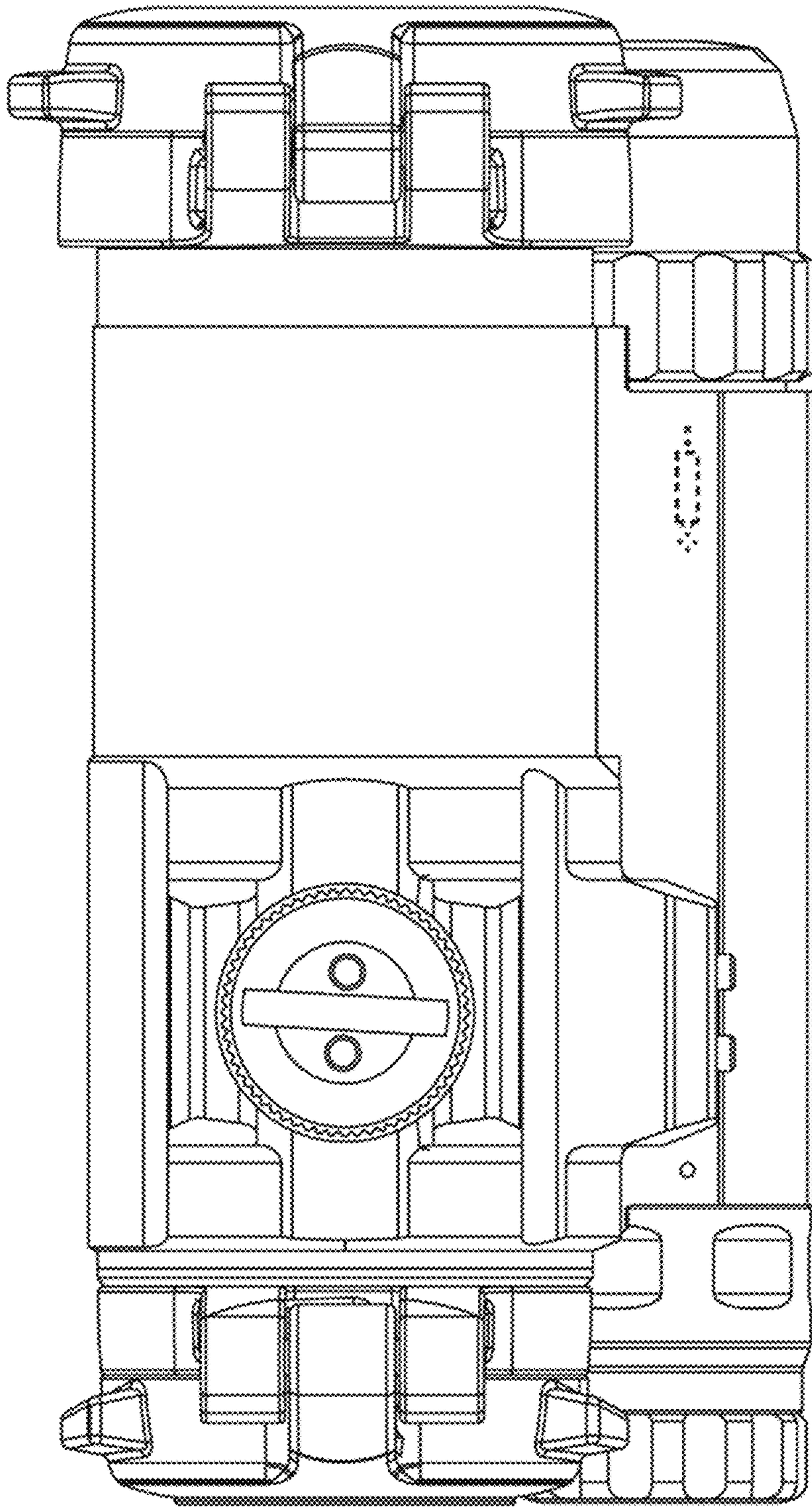


FIG. 6

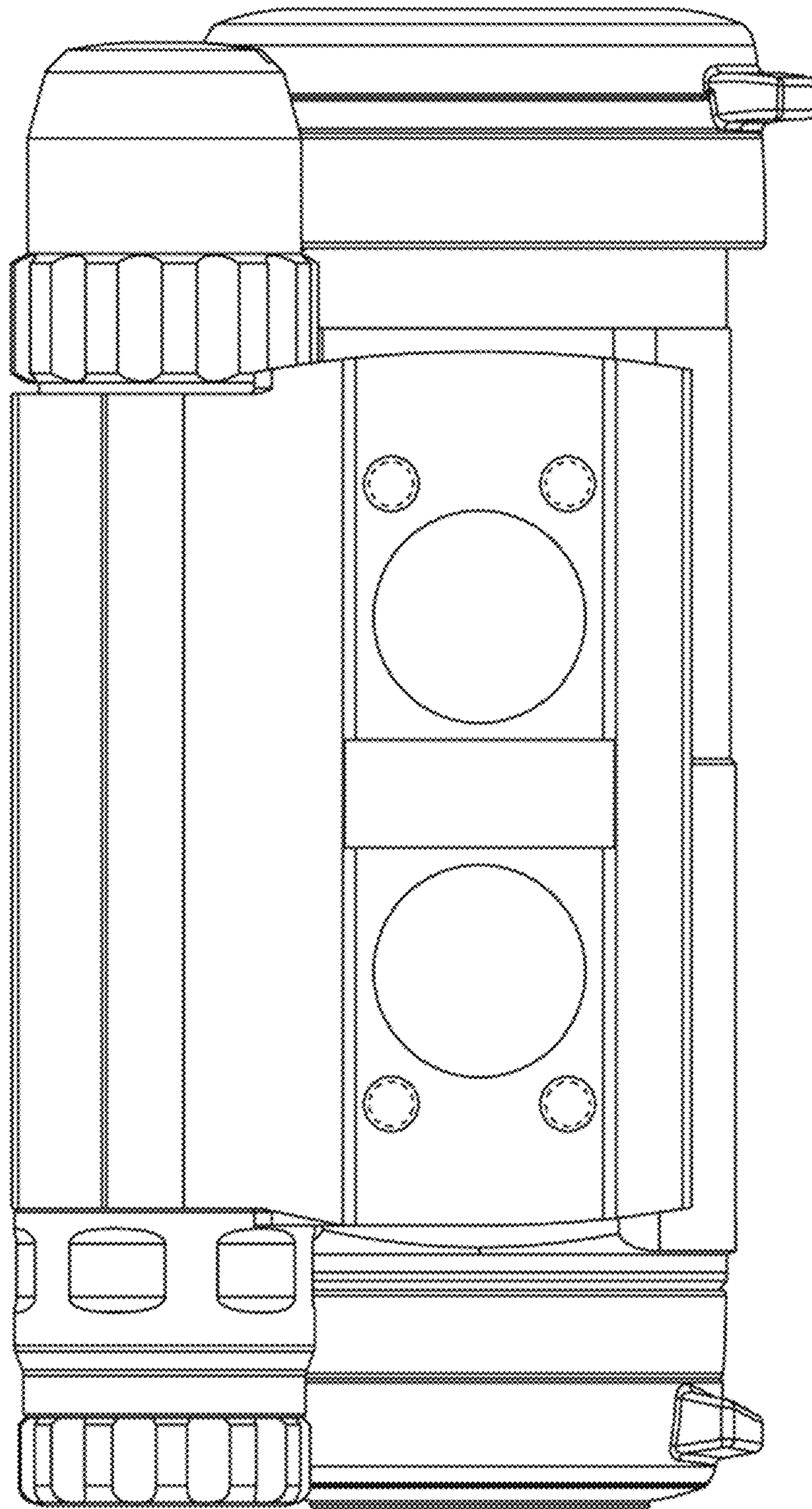


FIG. 7