



US00D895049S

(12) **United States Design Patent** (10) **Patent No.:** **US D895,049 S**  
**Sharps et al.** (45) **Date of Patent:** **\*\* Sep. 1, 2020**

(54) **FIREARM RECEIVER**

(71) Applicants: **John Sharps**, Eugene, OR (US);  
**George Huang**, Henderson, NV (US)

(72) Inventors: **John Sharps**, Eugene, OR (US);  
**George Huang**, Henderson, NV (US)

(\*\*) Term: **15 Years**

(21) Appl. No.: **29/691,020**

(22) Filed: **May 13, 2019**

(51) **LOC (12) Cl.** ..... **22-01**

(52) **U.S. Cl.**  
USPC ..... **D22/108**

(58) **Field of Classification Search**  
USPC ..... D22/108  
CPC ..... F41A 5/18; F41A 5/24; F41A 21/28  
See application file for complete search history.

(56) **References Cited**

**U.S. PATENT DOCUMENTS**

D689,974 S	*	9/2013	Sharps	.....	D22/108
D773,586 S	*	12/2016	Sharps	.....	D22/108
D823,977 S	*	7/2018	Demonico	.....	D22/108
D834,132 S	*	11/2018	DeMonico	.....	D22/108
D846,686 S	*	4/2019	DeMonico	.....	D22/108
D846,687 S	*	4/2019	Demonico	.....	D22/108
D847,291 S	*	4/2019	Demonico	.....	D22/108

\* cited by examiner

*Primary Examiner* — Michael A. Pratt

(74) *Attorney, Agent, or Firm* — Lowe Graham Jones PLLC

(57) **CLAIM**

We claim the ornamental design for the firearm receiver, as shown and described.

**DESCRIPTION**

FIG. 1 is a front left isometric view of a firearm receiver, showing our new design.

FIG. 2 is a front right isometric view of the firearm receiver. FIG. 3 is a front right top isometric view of the firearm receiver.

FIG. 4 is a rear left isometric view of the firearm receiver. FIG. 5 is a bottom front right isometric view of the firearm receiver.

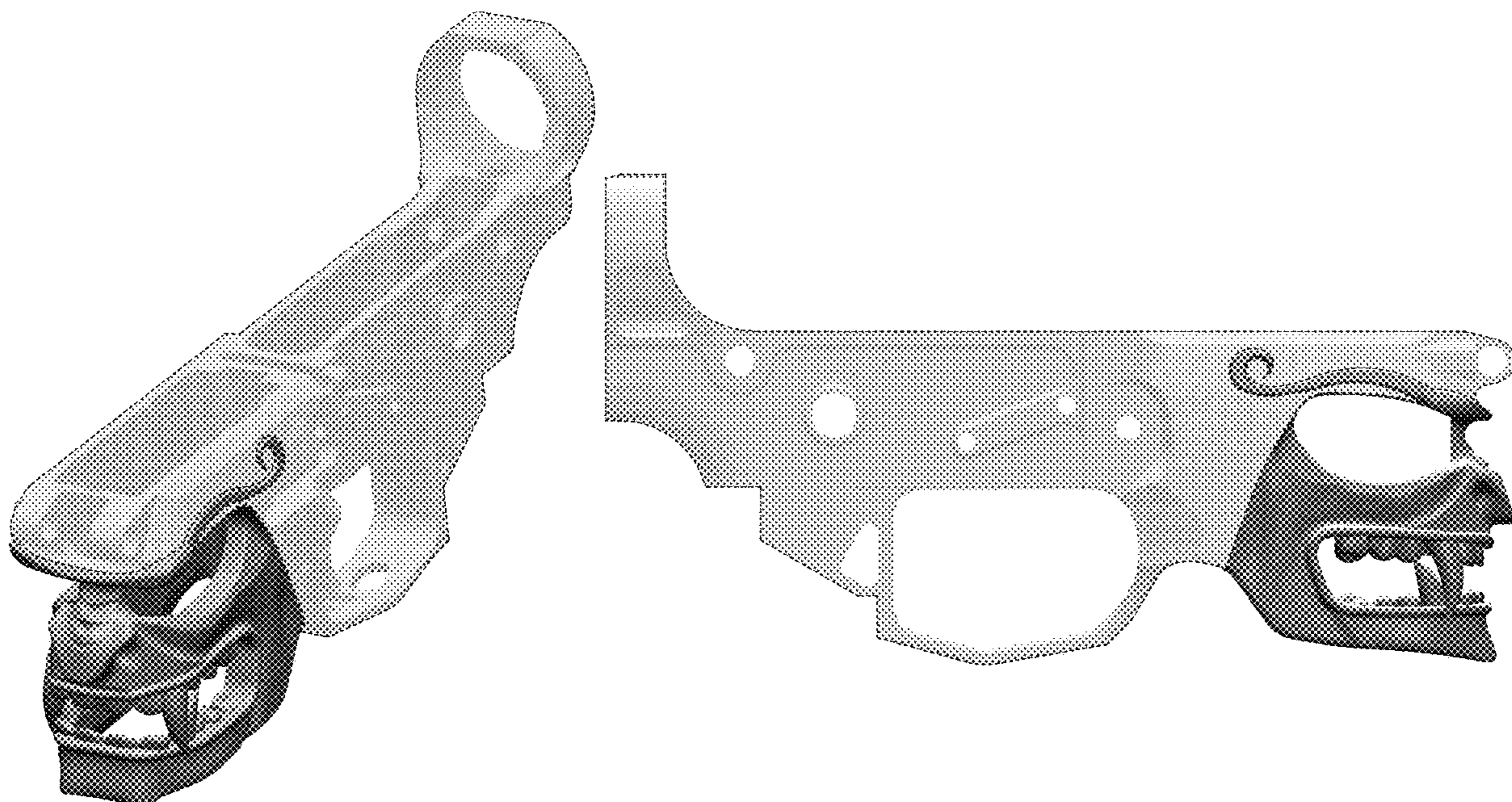
FIG. 6 is a front elevational view of the firearm receiver. FIG. 7 is a rear elevational view of the firearm receiver.

FIG. 8 is a left side elevational view of the firearm receiver. FIG. 9 is a right side elevational view of the firearm receiver.

FIG. 10 is a bottom plan view of the firearm receiver; and, FIG. 11 is a top plan view of the firearm receiver.

The broken lines show a boundary of the claimed design. The portions of the firearm receiver depicted in deemphasized half tone in each of the figures illustrate environmental structure which forms no part of the claimed design.

**1 Claim, 10 Drawing Sheets**





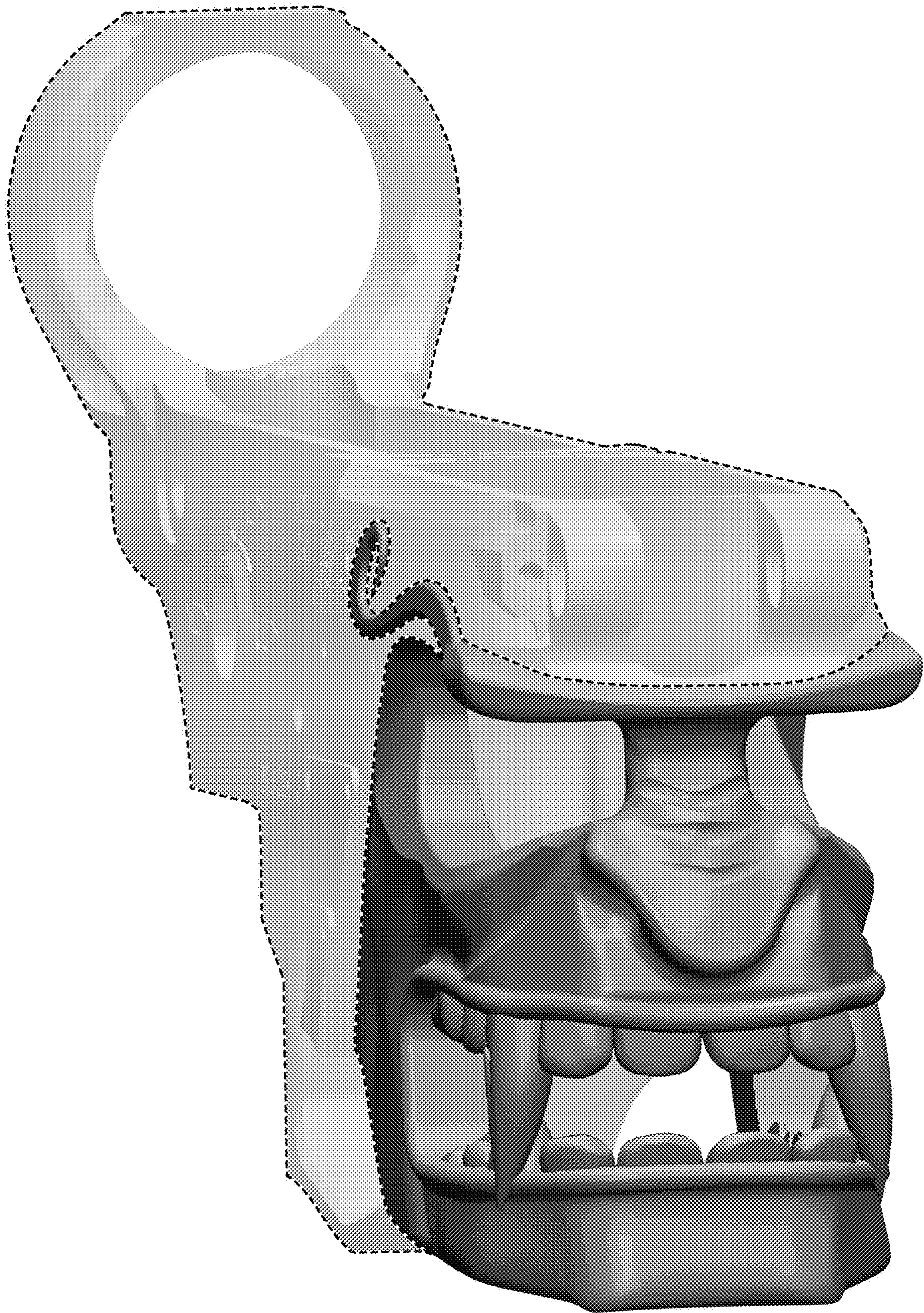


FIG. 1



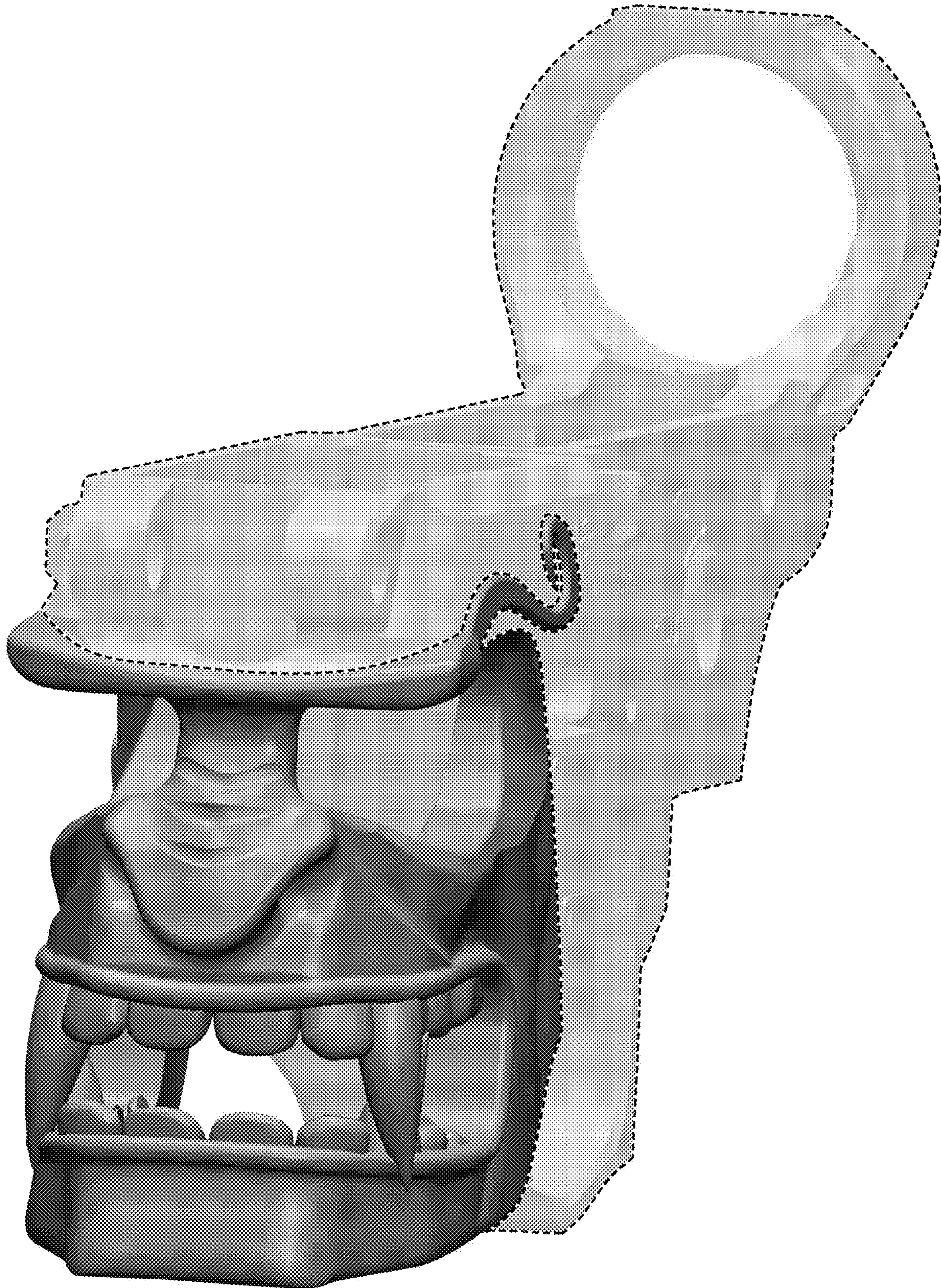


FIG. 2



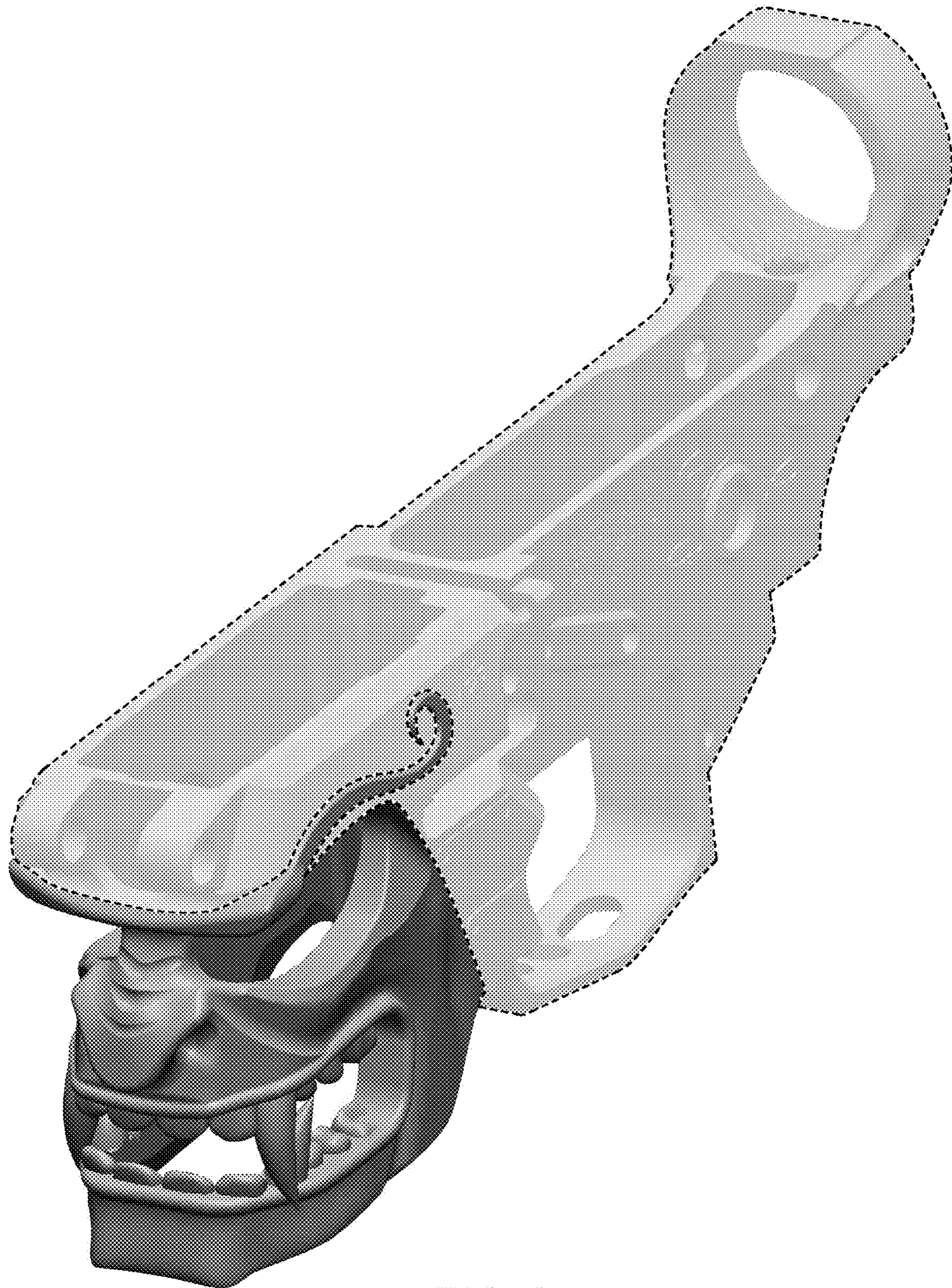


FIG. 3



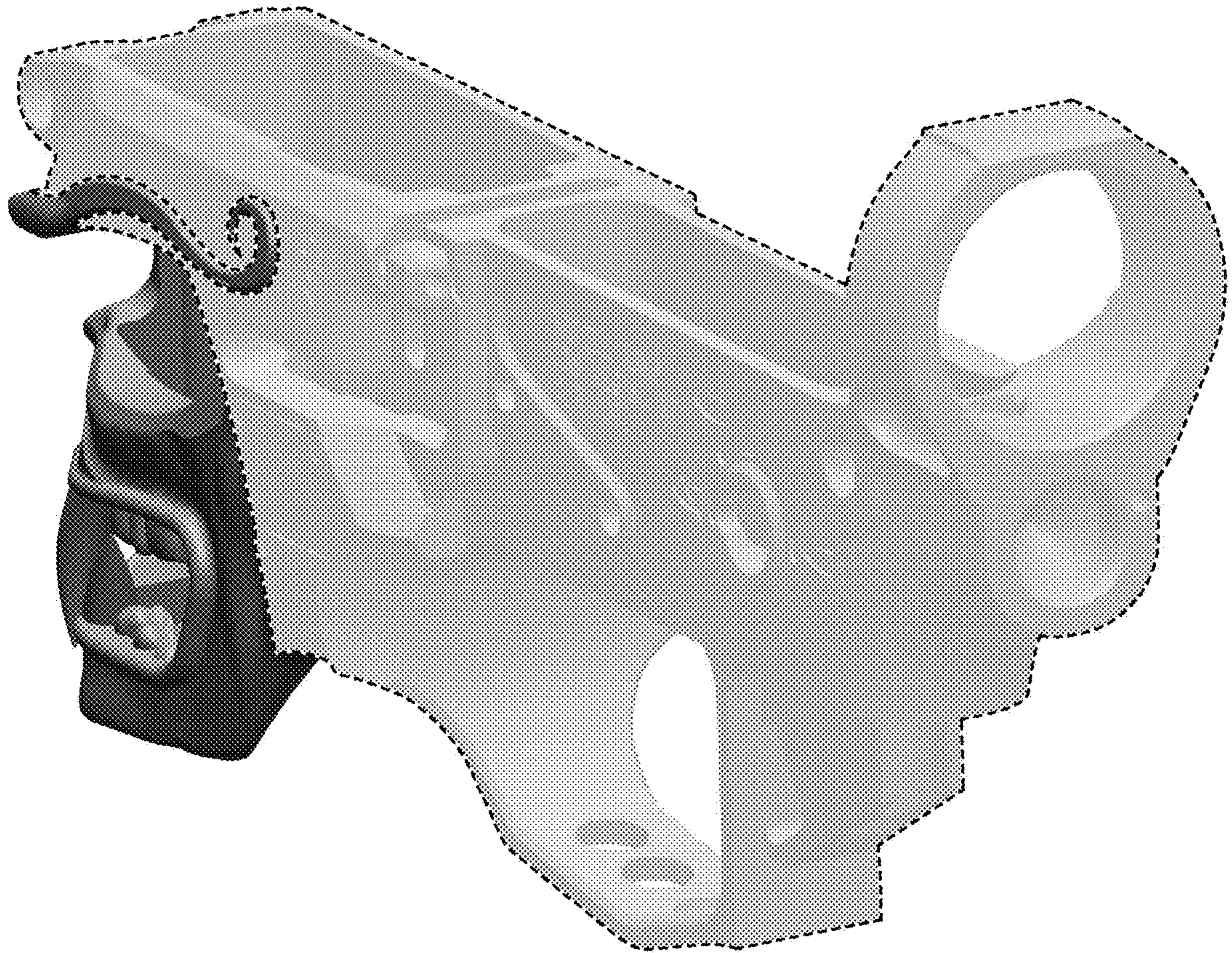


FIG.4



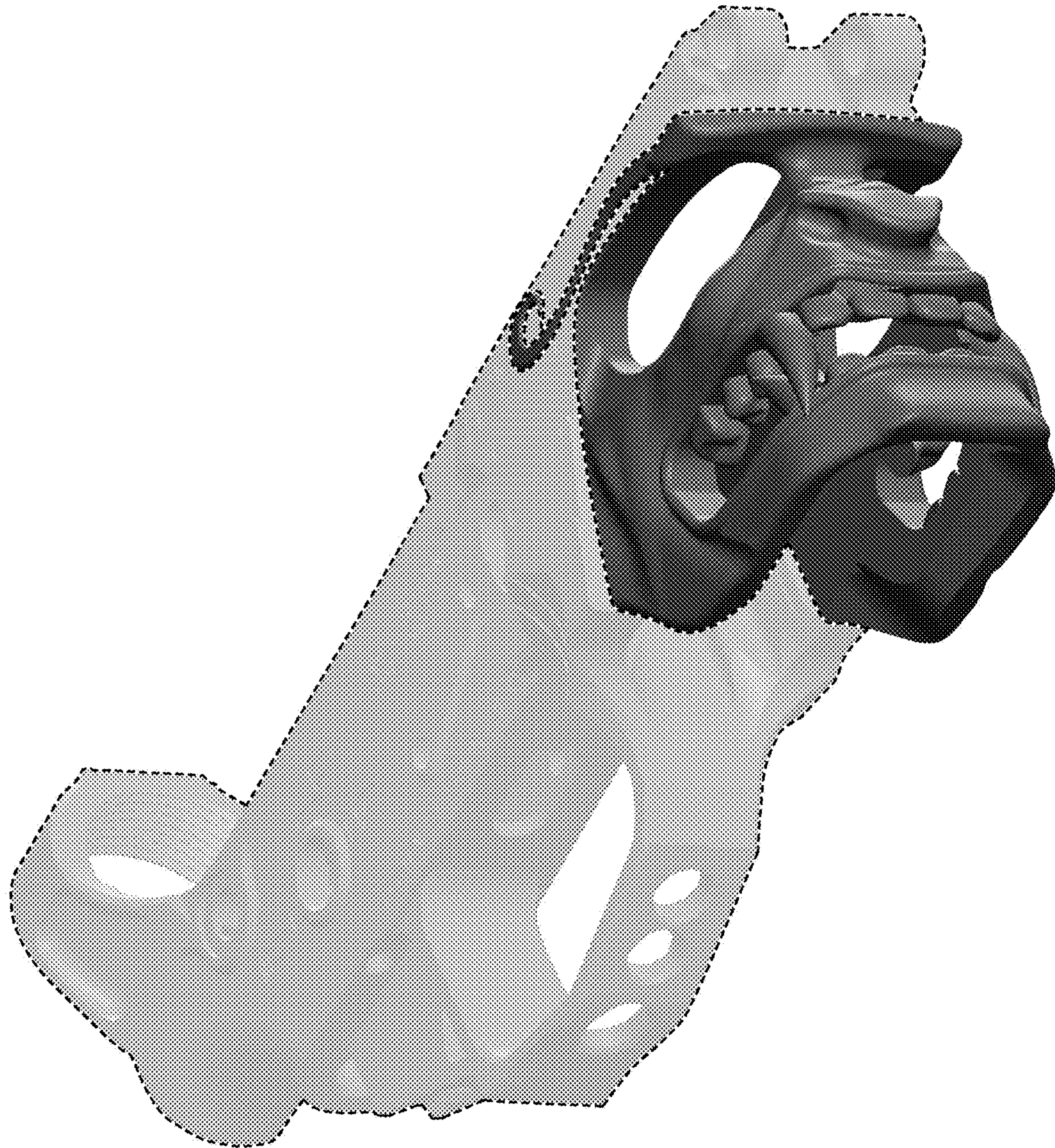


FIG.5



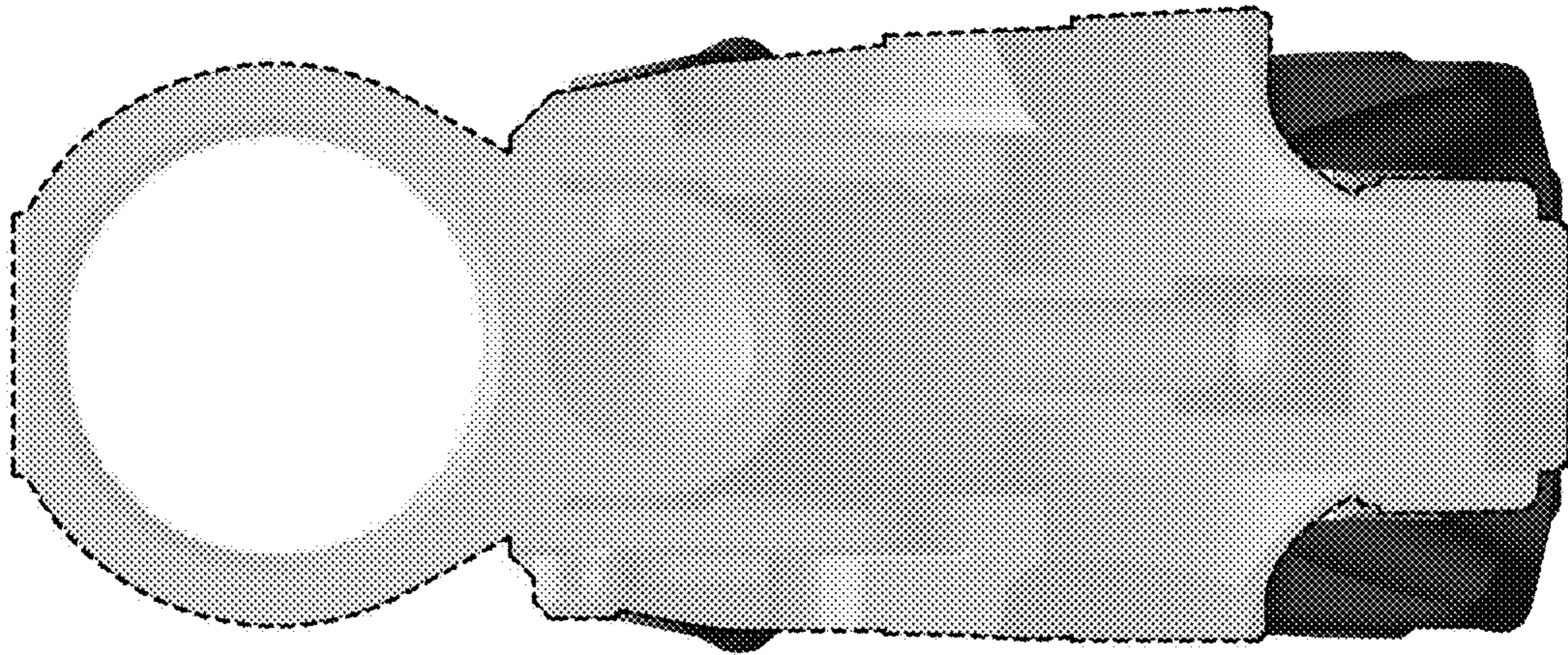


FIG. 7

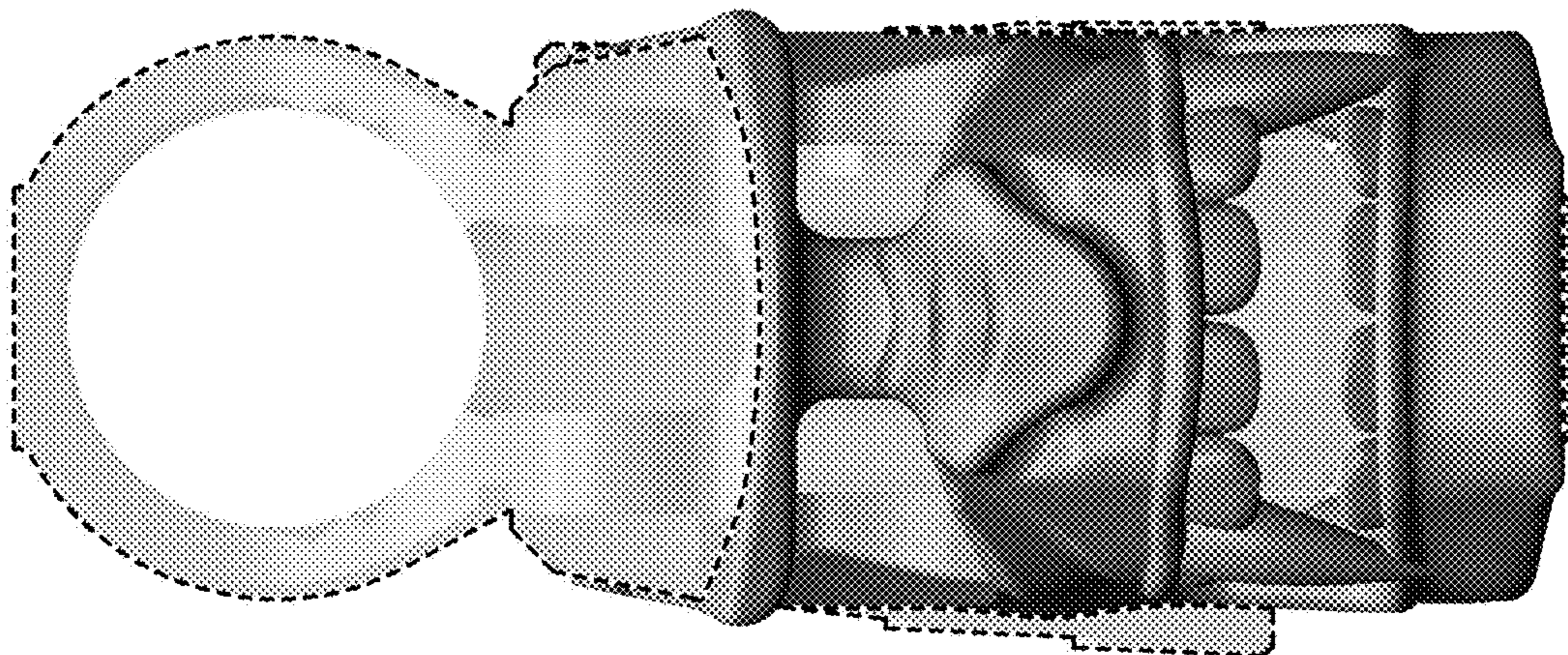


FIG. 6



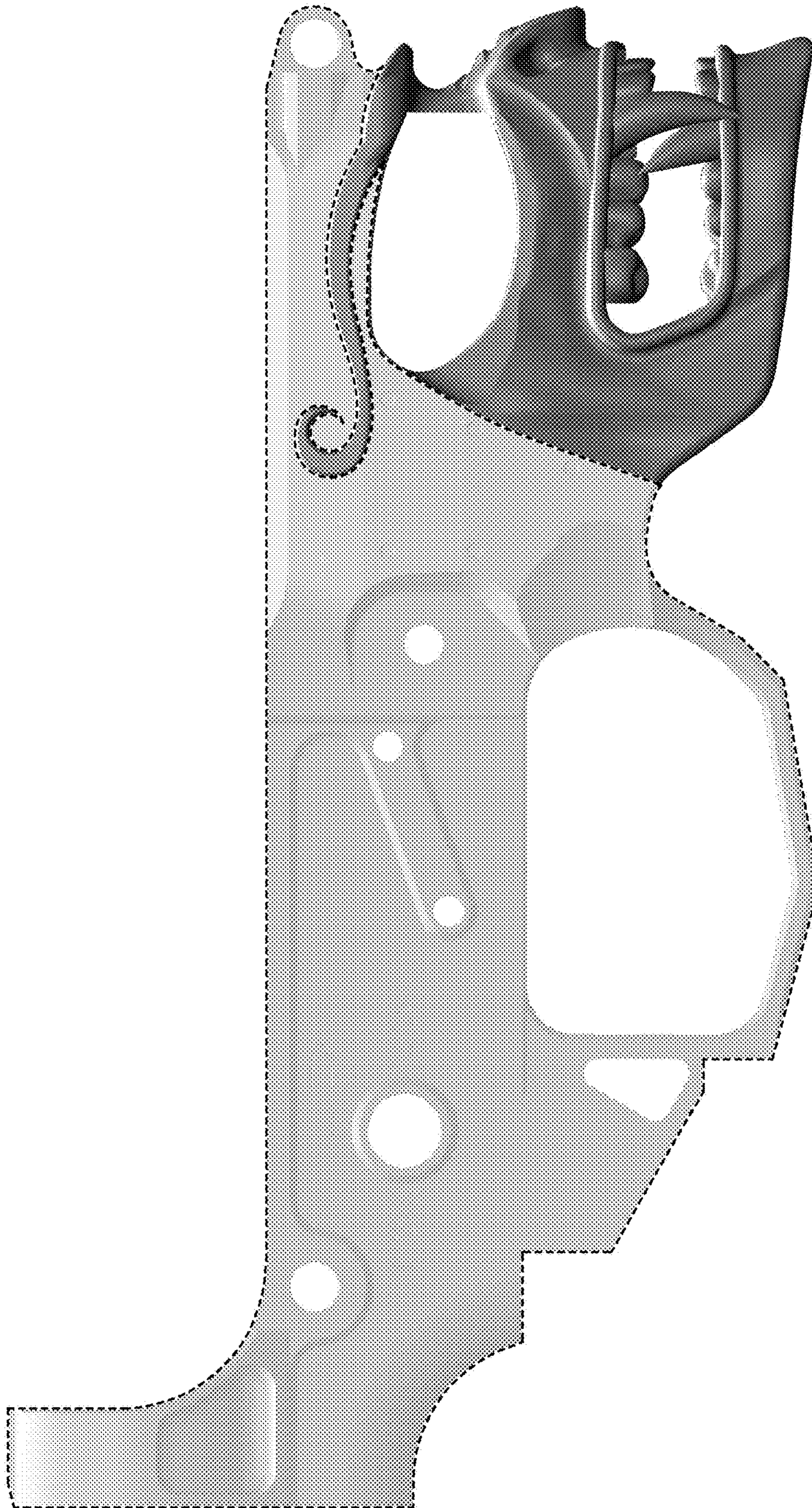


FIG.8



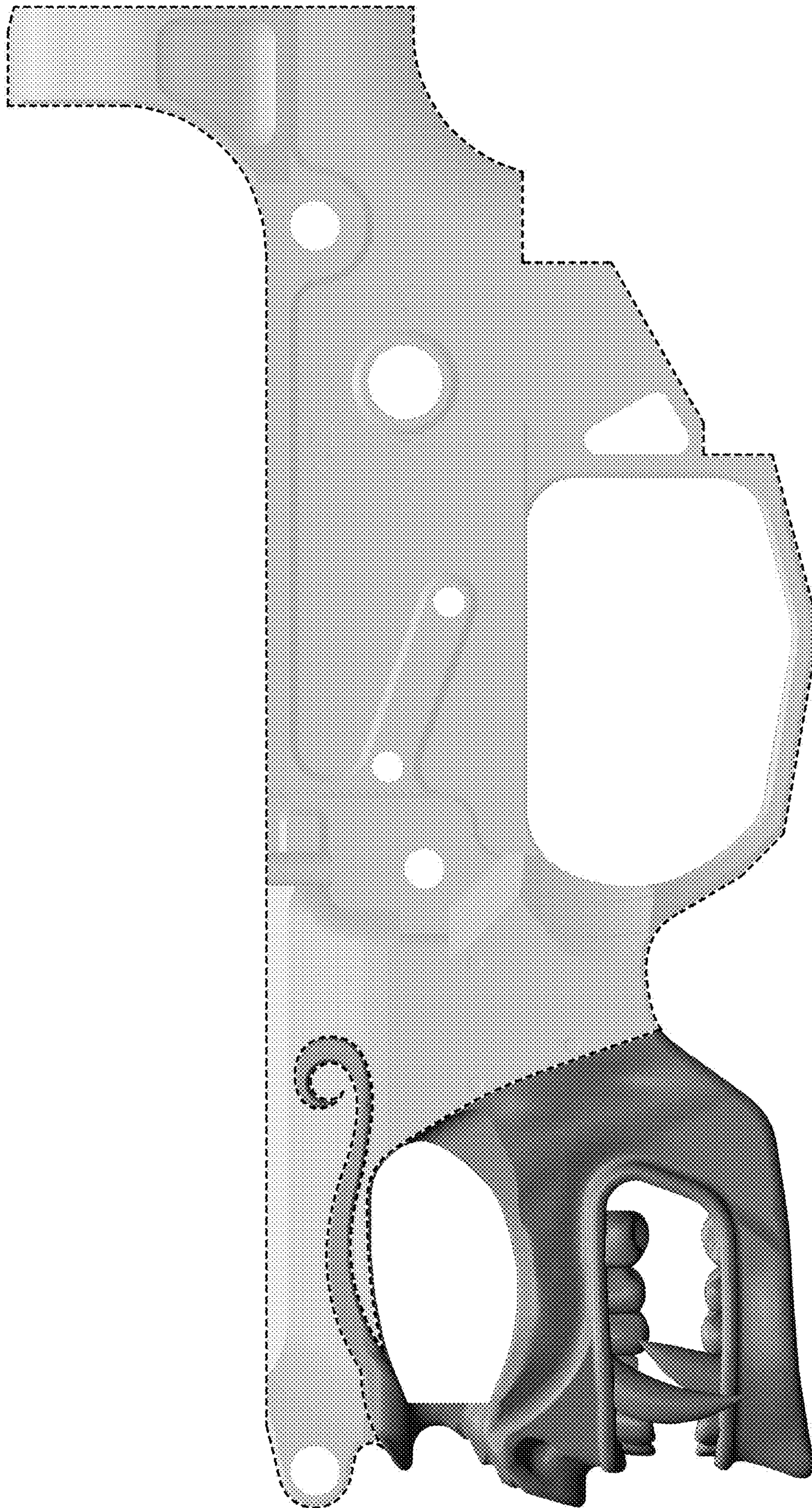


FIG. 9



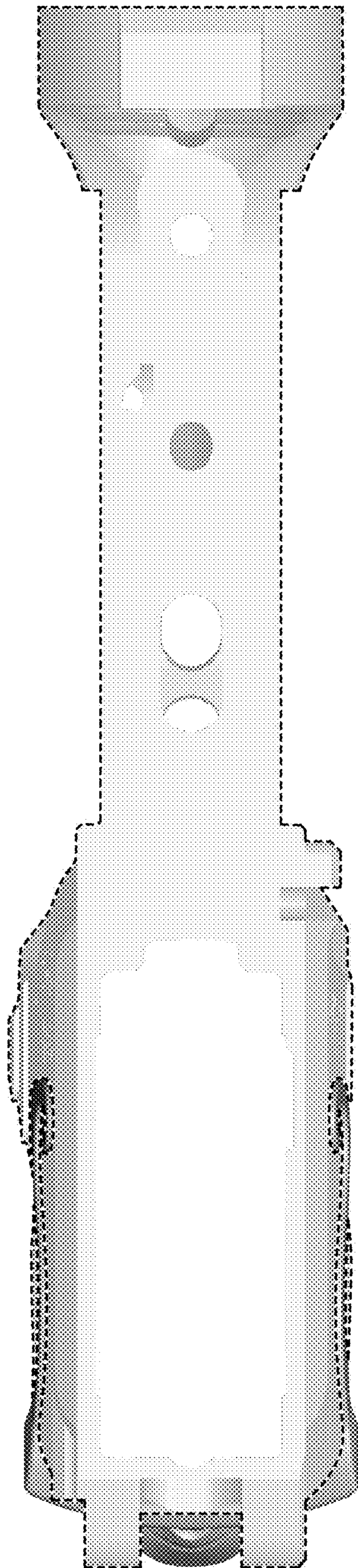


FIG. 10



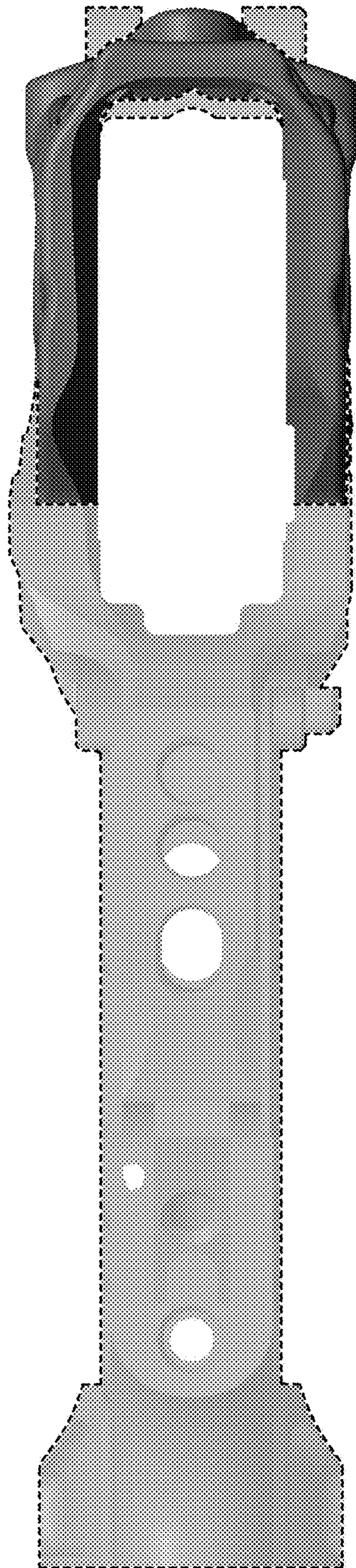


FIG. 11