



US00D895047S

(12) **United States Design Patent**
Anderson

(10) **Patent No.:** **US D895,047 S**

(45) **Date of Patent:** **** Sep. 1, 2020**

(54) **LASER DEVICE**

(71) Applicant: **Crimson Trace Corporation,**
Wilsonville, OR (US)

(72) Inventor: **Danny Homem de Mello Anderson,**
Wilsonville, OR (US)

(73) Assignee: **Crimson Trace Corporation,**
Springfield, MA (US)

(**) Term: **15 Years**

(21) Appl. No.: **29/672,842**

(22) Filed: **Dec. 10, 2018**

(51) **LOC (12) Cl.** **22-01**

(52) **U.S. Cl.**
USPC **D22/108**

(58) **Field of Classification Search**
USPC D22/100, 103, 108, 109, 110, 111, 113,
D22/115, 116, 199; D21/567, 573
CPC F41A 23/08; F41A 23/10; F41A 21/16;
F41A 21/22; F41C 23/00; F41C 7/00;
F41J 1/10; F41G 1/30
See application file for complete search history.

(56) **References Cited**

U.S. PATENT DOCUMENTS

D603,478 S	*	11/2009	Hughes	F41G 11/001
					D22/110
D636,049 S	*	4/2011	Hughes	F41G 11/001
					D22/109
D636,837 S	*	4/2011	Hughes	F41G 11/001
					D22/109
D669,959 S	*	10/2012	Johnston	D22/108
D674,861 S	*	1/2013	Johnston	D22/109
D687,120 S	*	7/2013	Hughes	D22/109

D692,518 S	*	10/2013	Anderson	D22/108
D693,898 S	*	11/2013	Essig	D22/108
D694,847 S	*	12/2013	Anderson	D22/108
D694,848 S	*	12/2013	Anderson	D22/109
D696,376 S	*	12/2013	Anderson	D22/109
D738,456 S	*	9/2015	Hughes	D22/109
D738,457 S	*	9/2015	Johnston	D22/109
D763,400 S	*	8/2016	Johnston	D22/109
D792,544 S	*	7/2017	Hartley	D22/108
D831,779 S	*	10/2018	Johnston	D22/109
D837,928 S	*	1/2019	Planck	D22/109
D851,202 S	*	6/2019	Hartley	D22/109

* cited by examiner

Primary Examiner — Khawaja Anwar

Assistant Examiner — Mojtaba Tehrani

(74) *Attorney, Agent, or Firm* — Schwabe, Williamson & Wyatt, P.C.

(57) **CLAIM**

I claim the ornamental design for a laser device, as shown and described.

DESCRIPTION

FIG. 1 is a perspective view of a laser device, showing our new design;

FIG. 2 is a perspective view thereof;

FIG. 3 is a right side view thereof;

FIG. 4 is a left side view thereof;

FIG. 5 is a back view thereof;

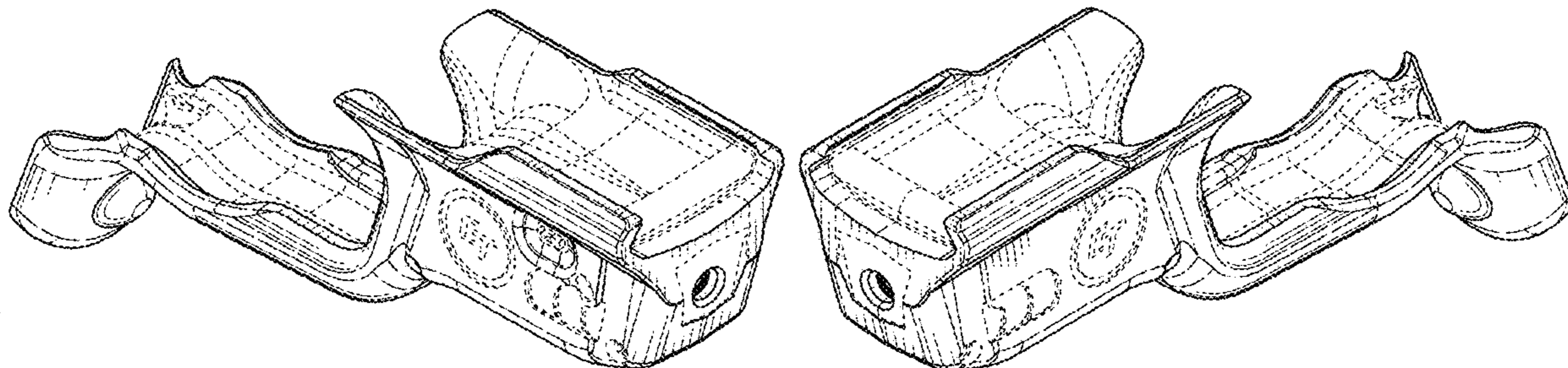
FIG. 6 is a front view thereof;

FIG. 7 is a top view thereof; and,

FIG. 8 is a bottom view thereof.

The broken lines in the drawings depict unclaimed portions of the laser device only and form no part of the claimed design.

1 Claim, 4 Drawing Sheets



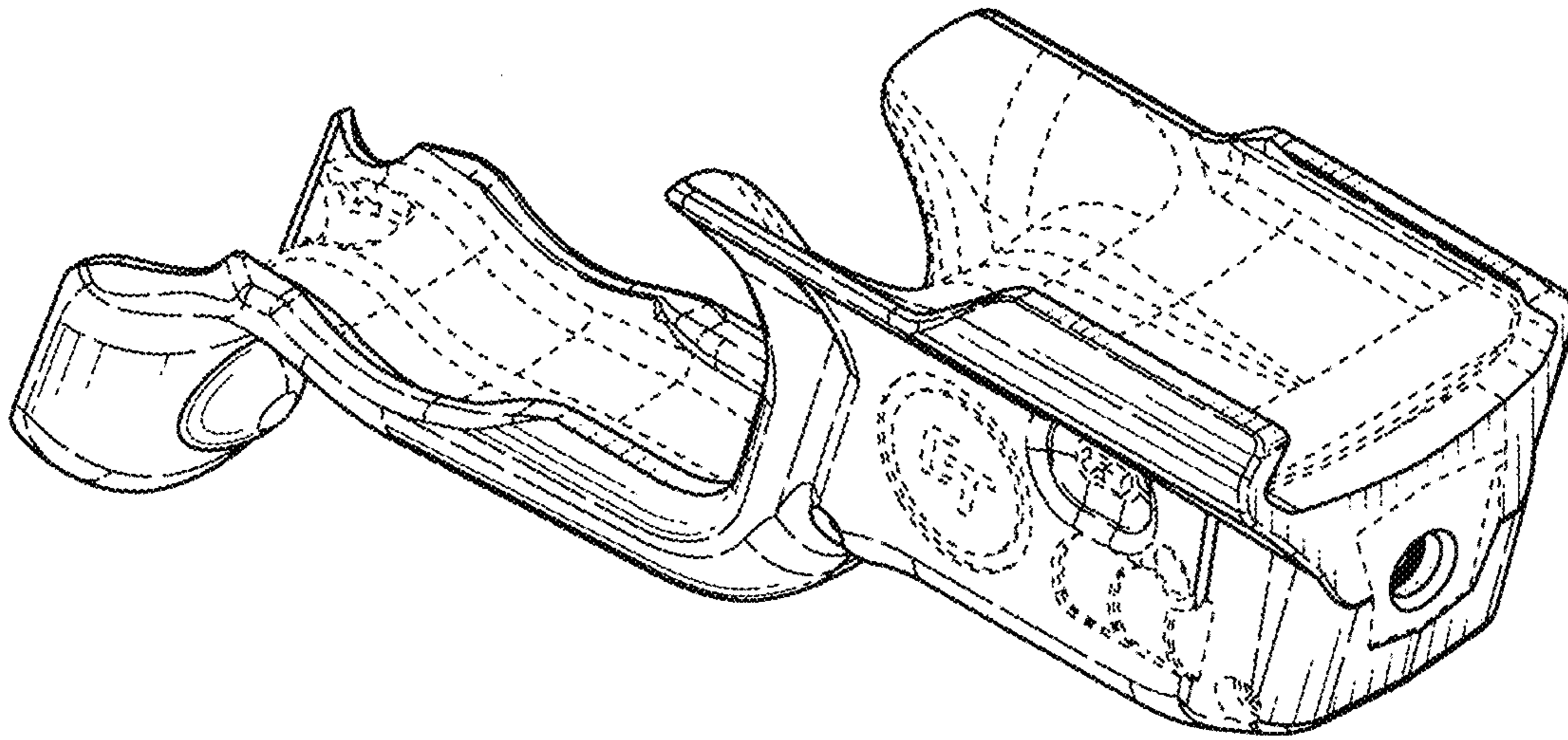


FIG. 1

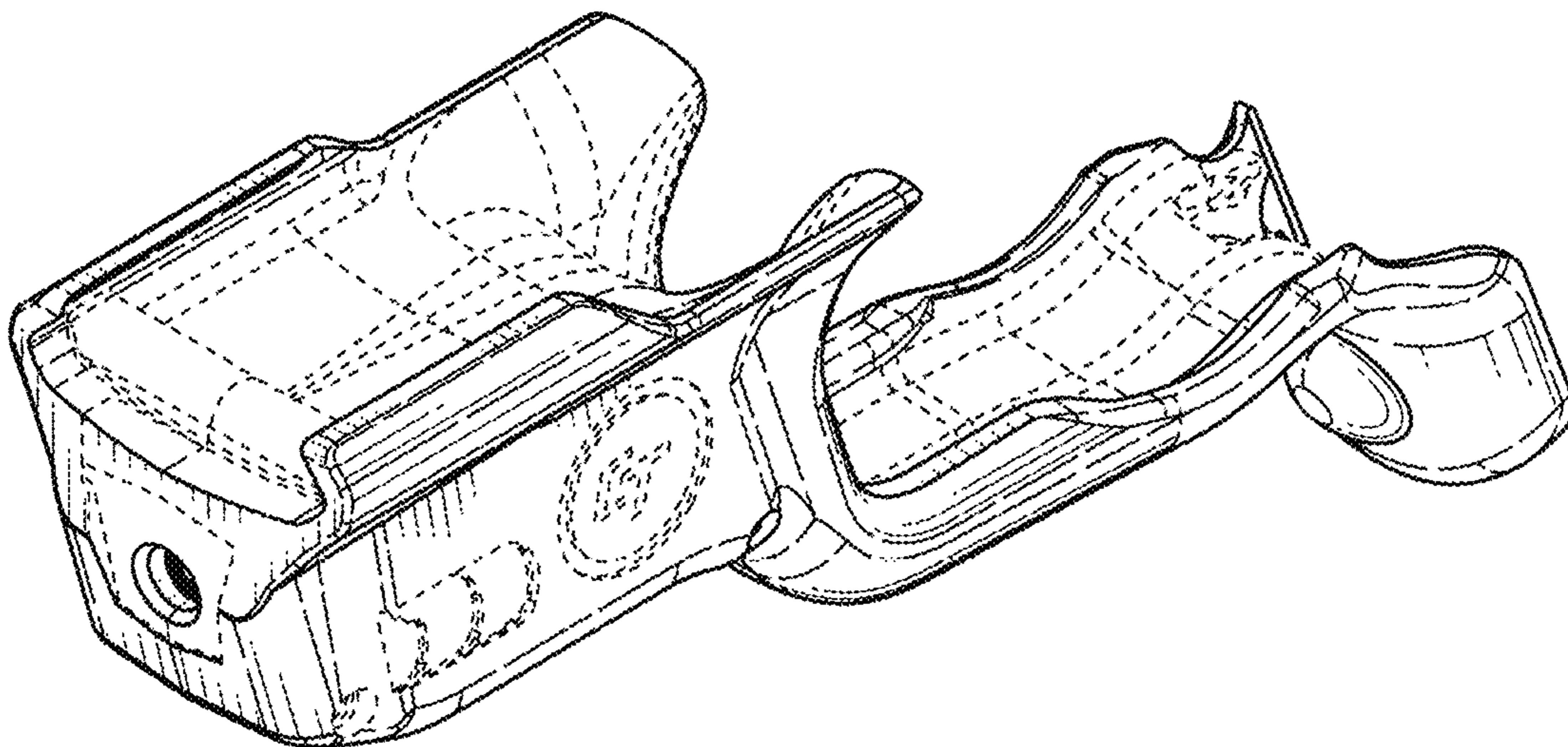


FIG. 2

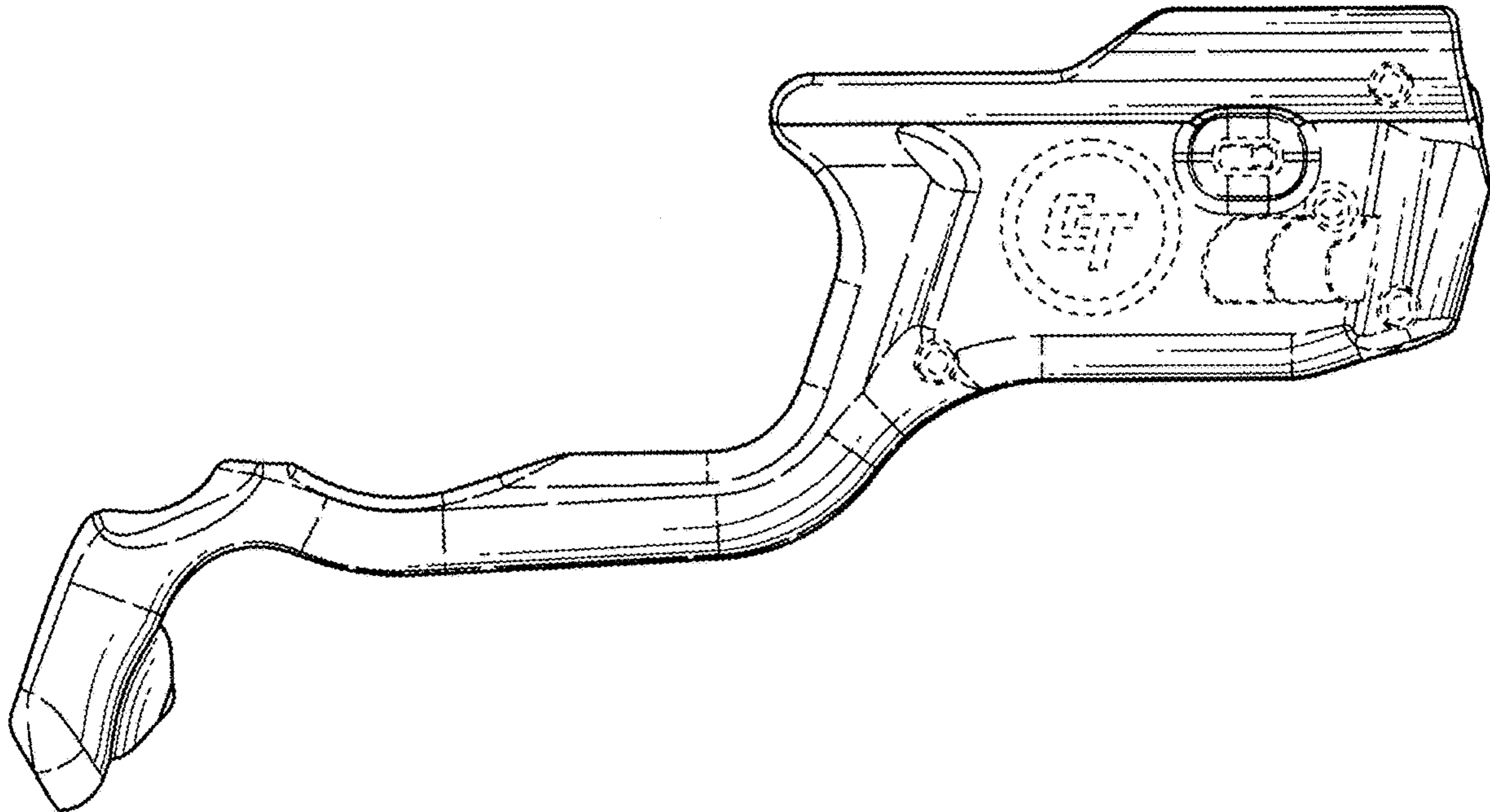


FIG. 3

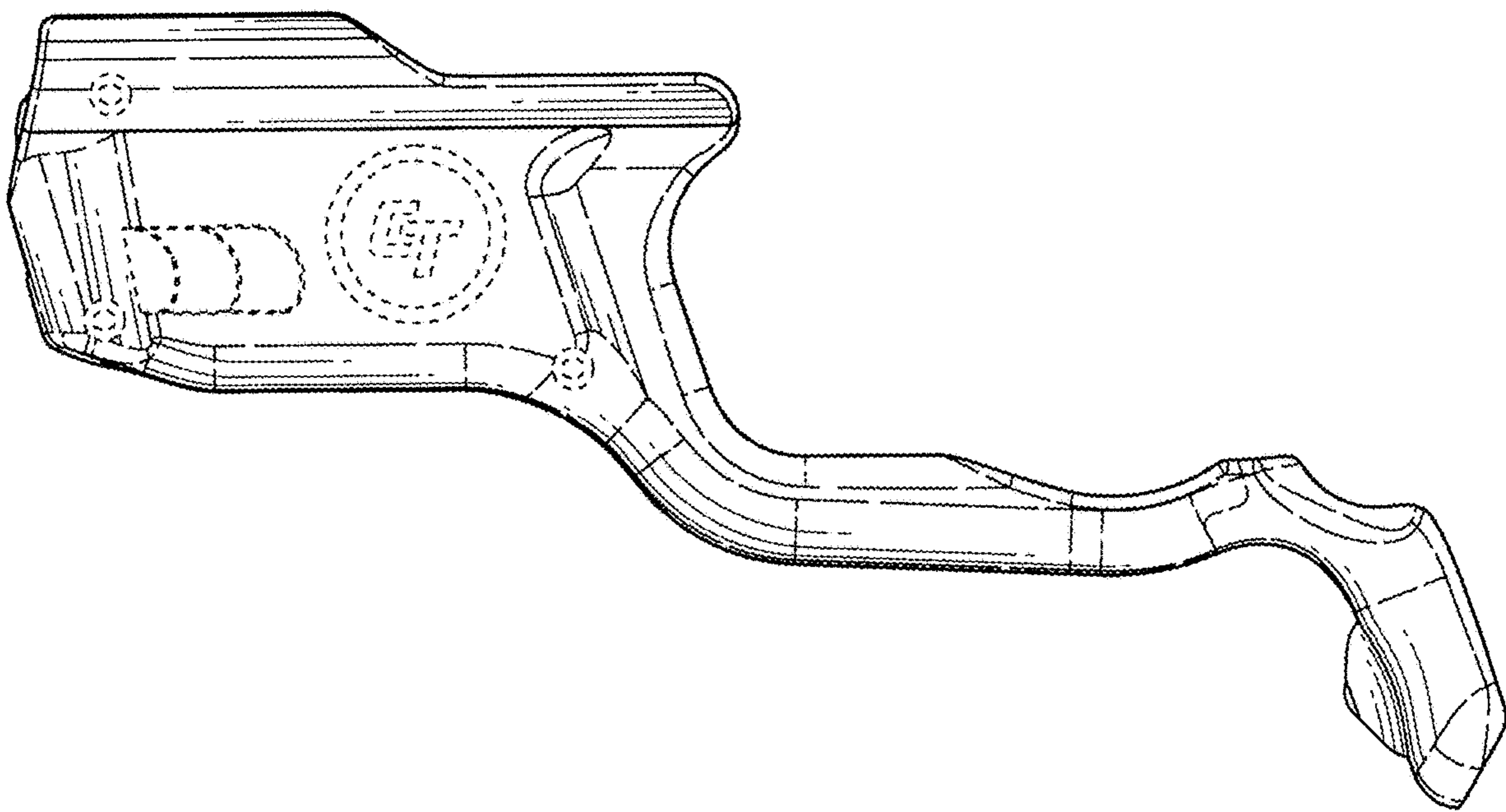


FIG. 4

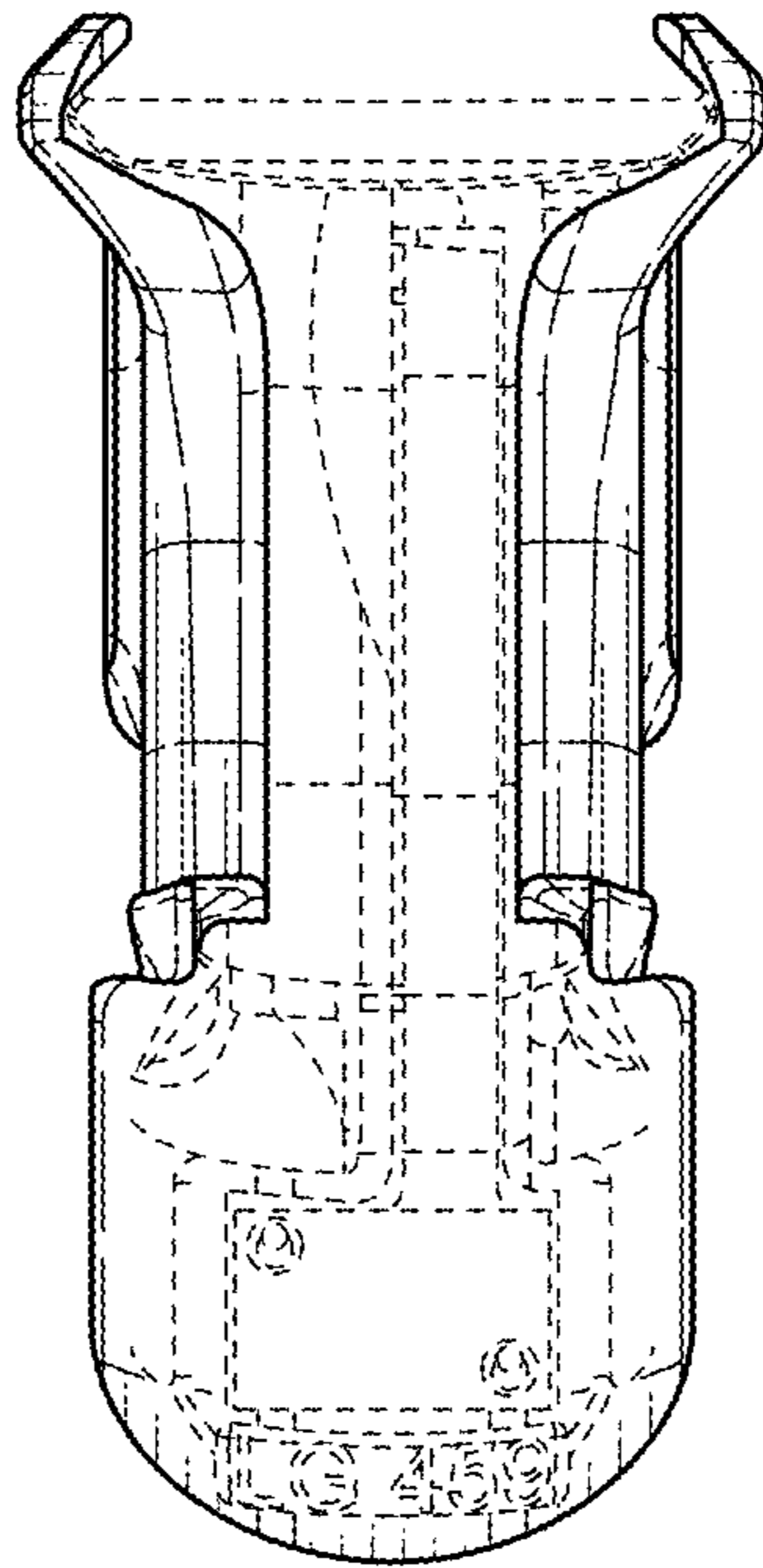


FIG. 5

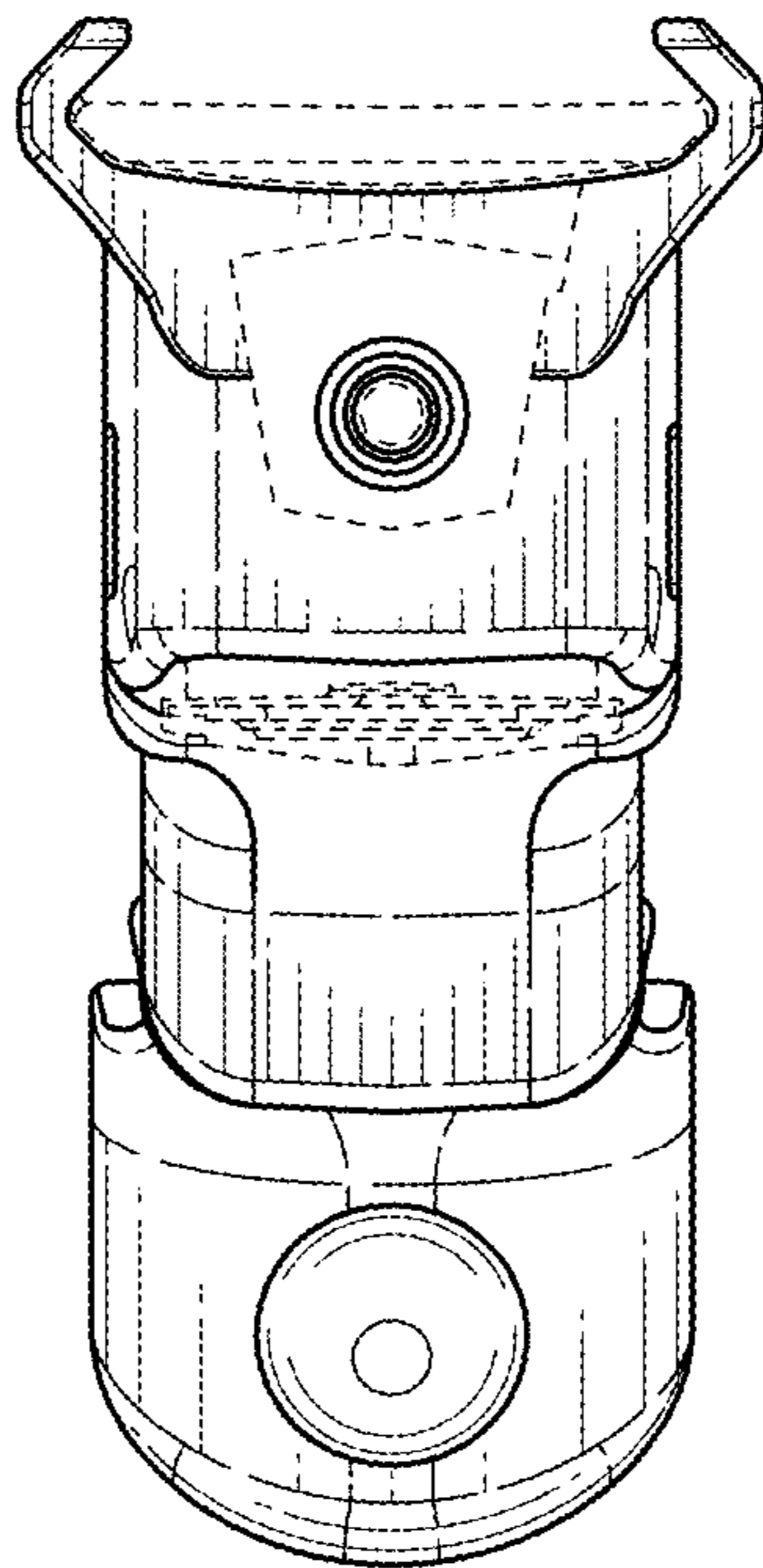


FIG. 6

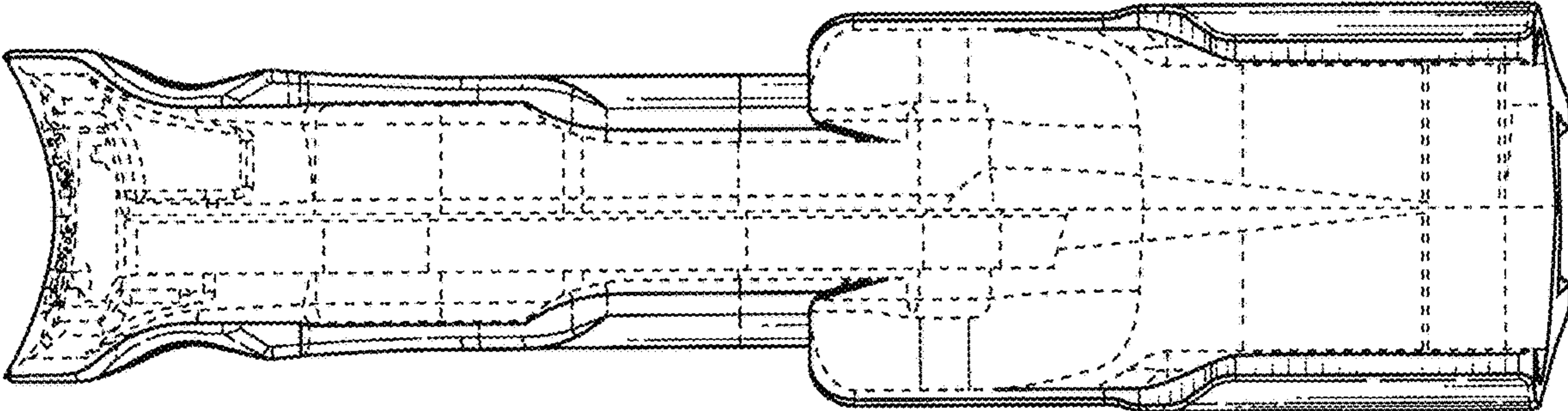


FIG. 7

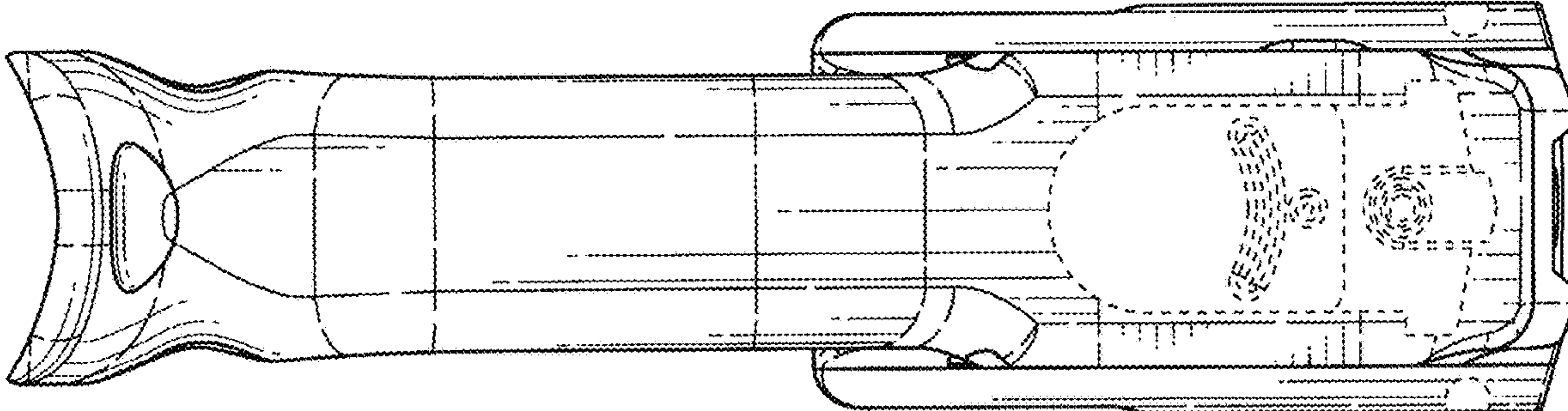


FIG. 8