



US00D895046S

(12) **United States Design Patent**
Easley

(10) **Patent No.:** **US D895,046 S**

(45) **Date of Patent:** **** Sep. 1, 2020**

(54) **VERTICAL FORWARD GRIP**

(71) Applicant: **Charles Houston Easley**, Cane Ridge,
TN (US)

(72) Inventor: **Charles Houston Easley**, Cane Ridge,
TN (US)

(**) Term: **15 Years**

(21) Appl. No.: **29/651,985**

(22) Filed: **Aug. 12, 2019**

(51) **LOC (12) Cl.** **22-01**

(52) **U.S. Cl.**
USPC **D22/108**

(58) **Field of Classification Search**
USPC D22/108; D8/68; 16/414-415, 417, 433,
16/441

CPC B25G 1/102; A47G 21/08
See application file for complete search history.

(56) **References Cited**

U.S. PATENT DOCUMENTS

- 2,070,952 A * 2/1937 Mitchel B67D 1/1477
40/332
- 2,182,007 A * 12/1939 Tegarty E05B 1/0007
16/441
- 3,945,739 A * 3/1976 Abe B60G 7/005
403/138
- 4,714,477 A * 12/1987 Fichera A61F 2/34
623/22.19
- 5,704,727 A * 1/1998 Atkins F16C 11/069
403/135

- 5,782,574 A * 7/1998 Henkel B62D 7/16
403/135
- 6,434,793 B1 * 8/2002 Ensson B25G 1/102
16/421
- 6,505,990 B1 * 1/2003 Maughan B60G 7/005
403/135
- 7,073,970 B2 * 7/2006 Gercke B21J 5/006
384/203
- 8,171,600 B2 * 5/2012 Draper A45C 13/262
16/113.1

* cited by examiner

Primary Examiner — Michael A. Pratt

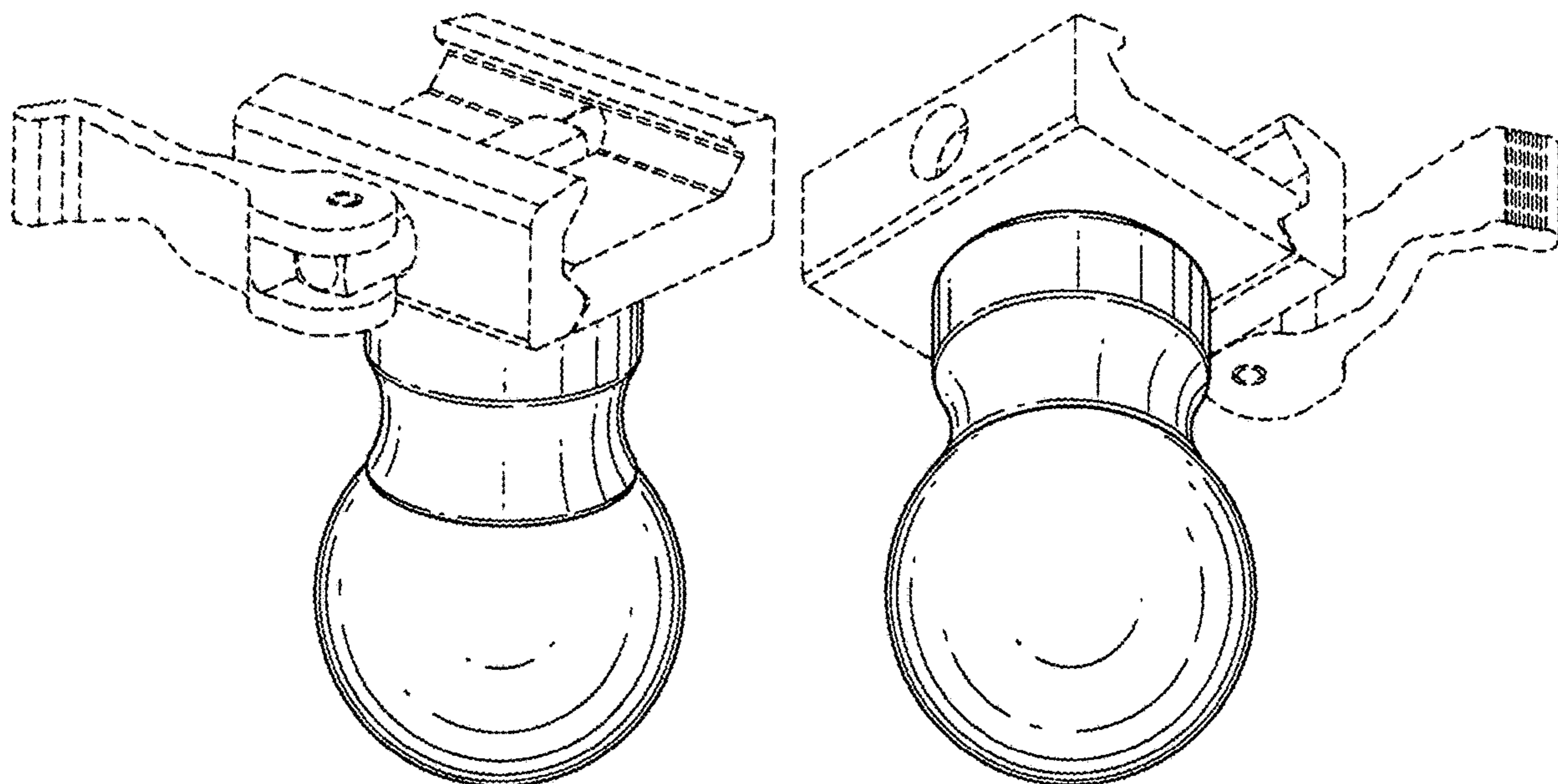
(57) **CLAIM**

The ornamental design for a vertical forward grip, as shown and described.

DESCRIPTION

FIG. 1 is a side mounted view of the vertical grip.
 FIG. 2 is a elevated side view of the right of the vertical forward grip.
 FIG. 3 is a elevated bottom view left side of the vertical forward grip.
 FIG. 4 is a left side view of the vertical forward grip.
 FIG. 5 is a right side view of the vertical forward grip.
 FIG. 6 is a front view of the vertical forward grip.
 FIG. 7 is a rear view of the vertical forward grip.
 FIG. 8 is a bottom view the vertical forward grip; and,
 FIG. 9 is a top view of the vertical forward grip.
 The broken lines within FIGS. 1-9 of the vertical forward grip shown in the drawings is illustrative of environment and forms no part of the claim.

1 Claim, 5 Drawing Sheets



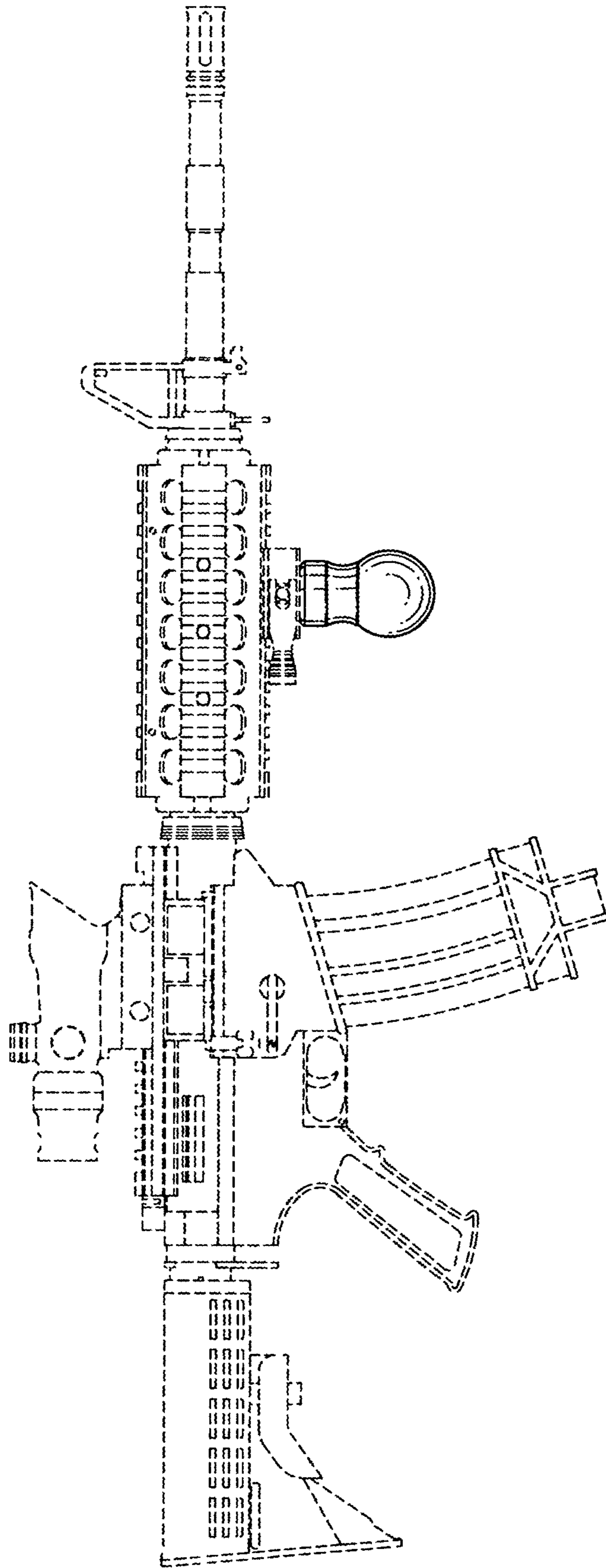


FIG. 1

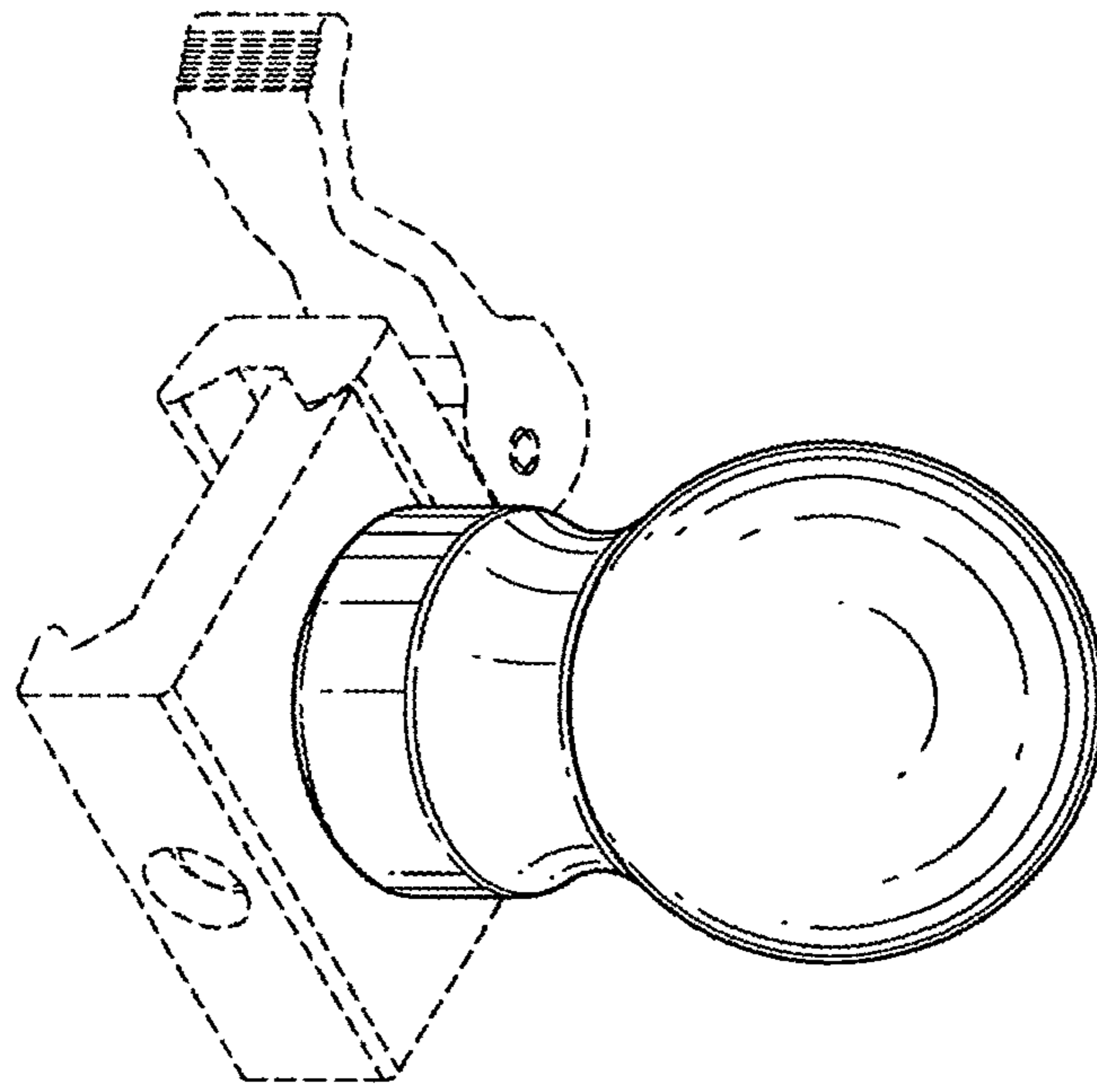


FIG. 3

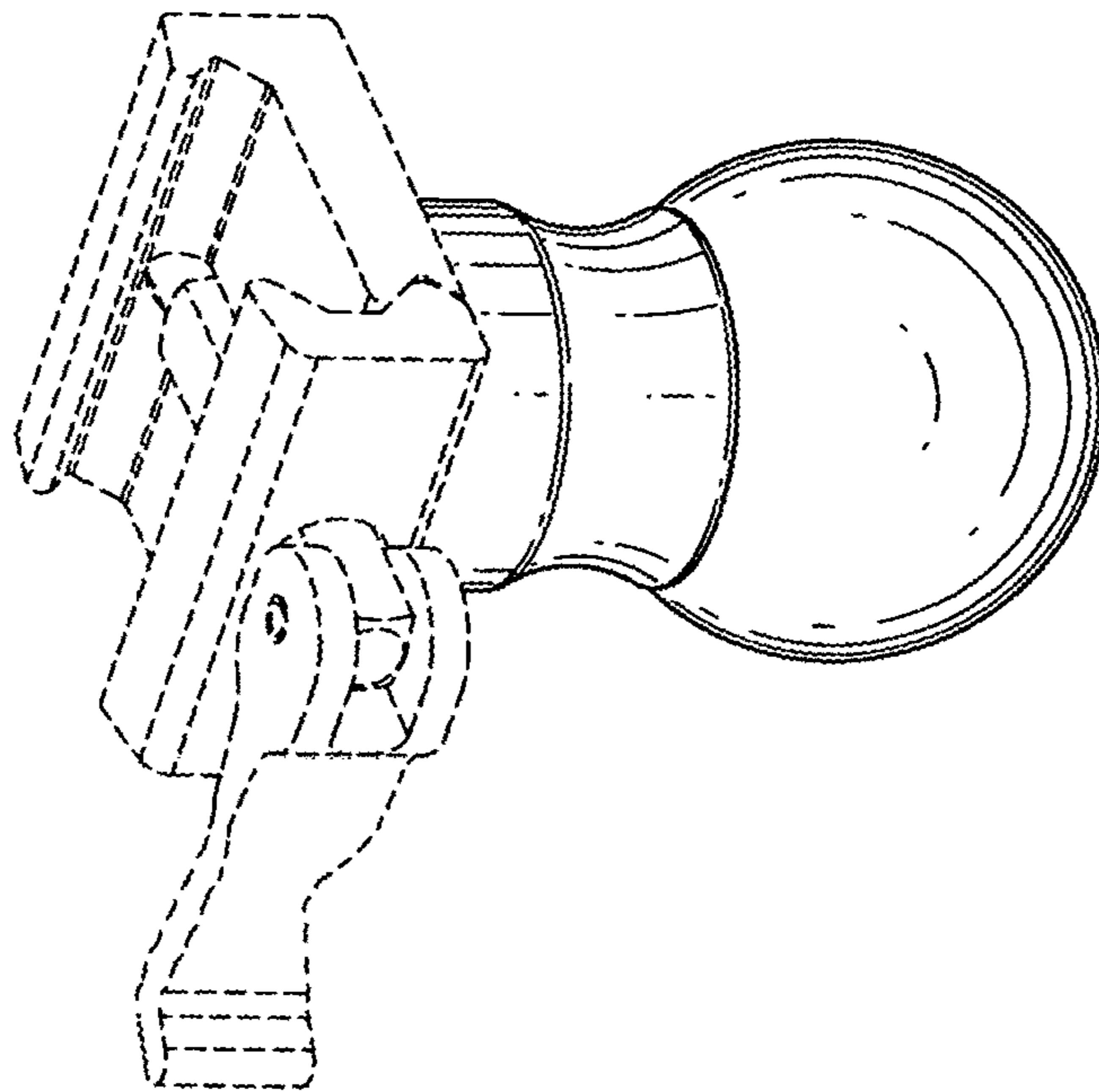


FIG. 2

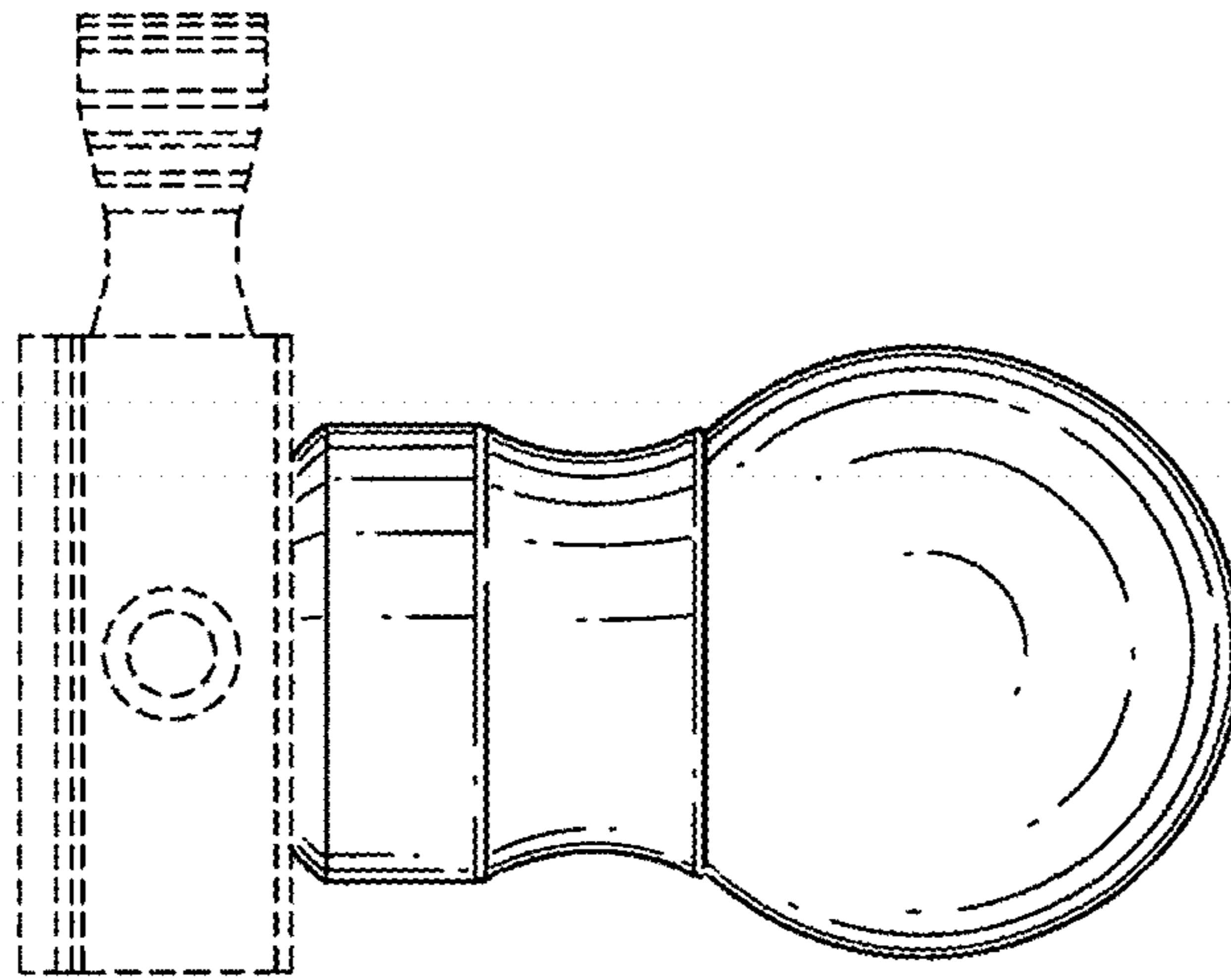


FIG. 5

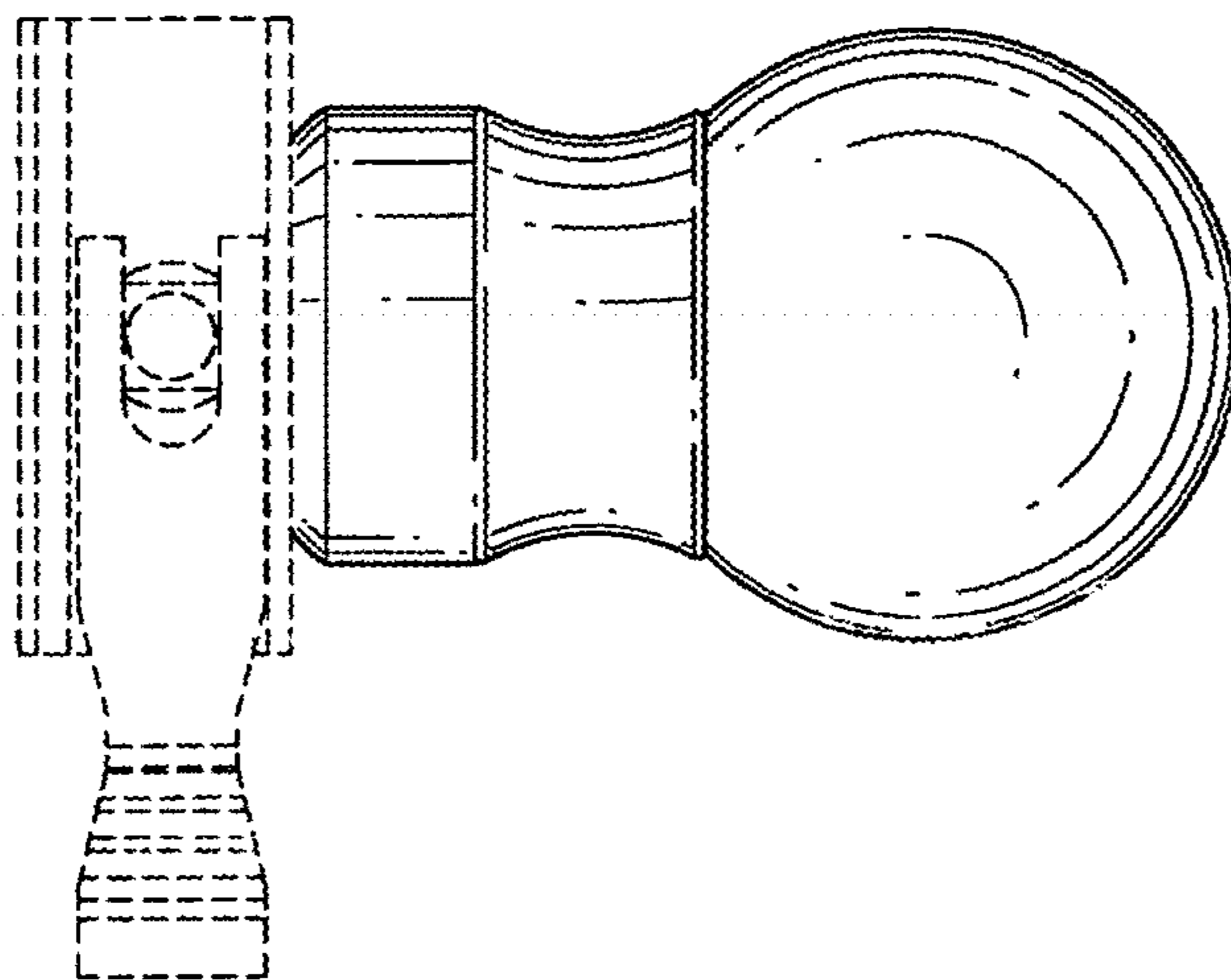


FIG. 4

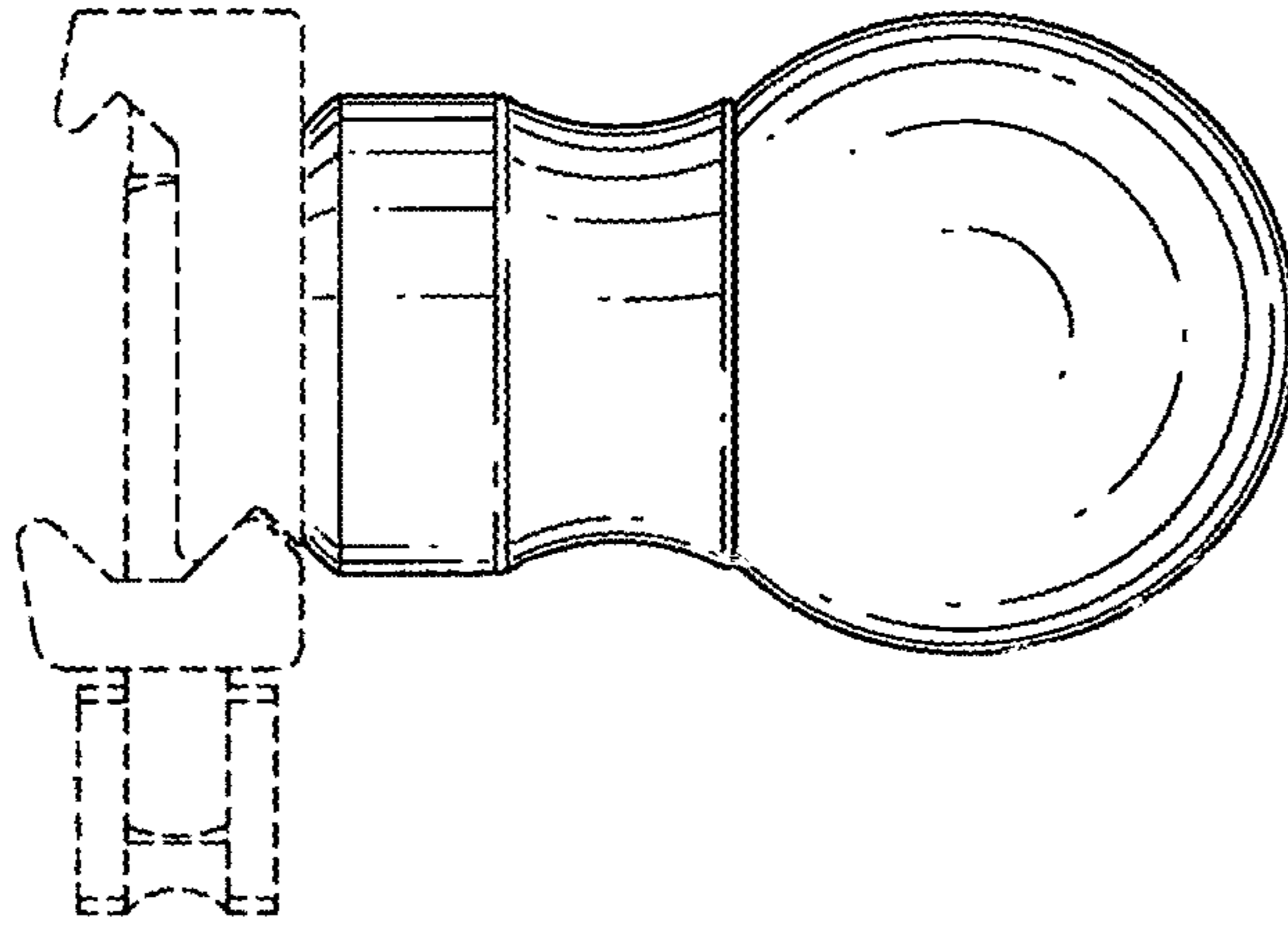


FIG. 6

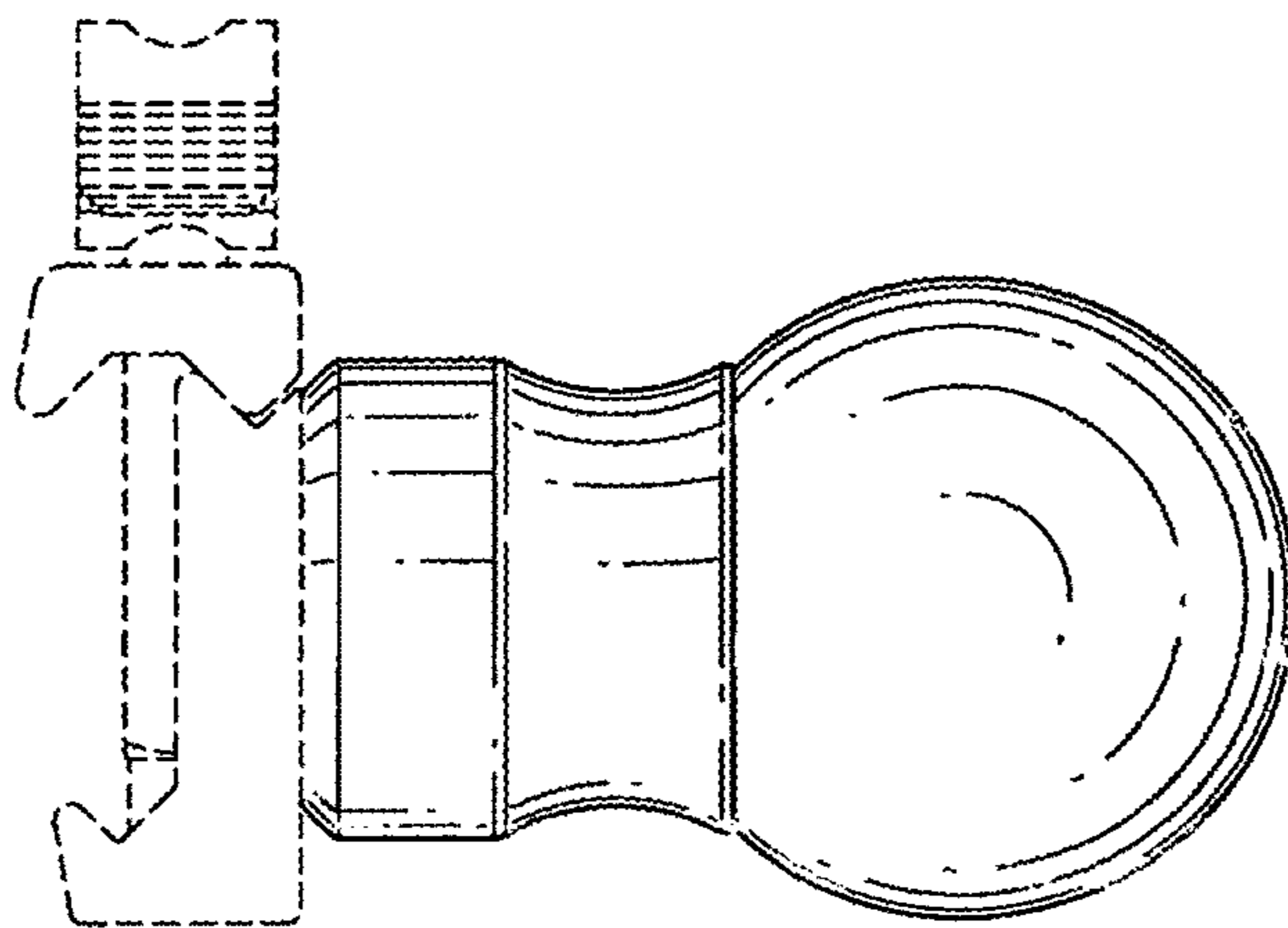


FIG. 7

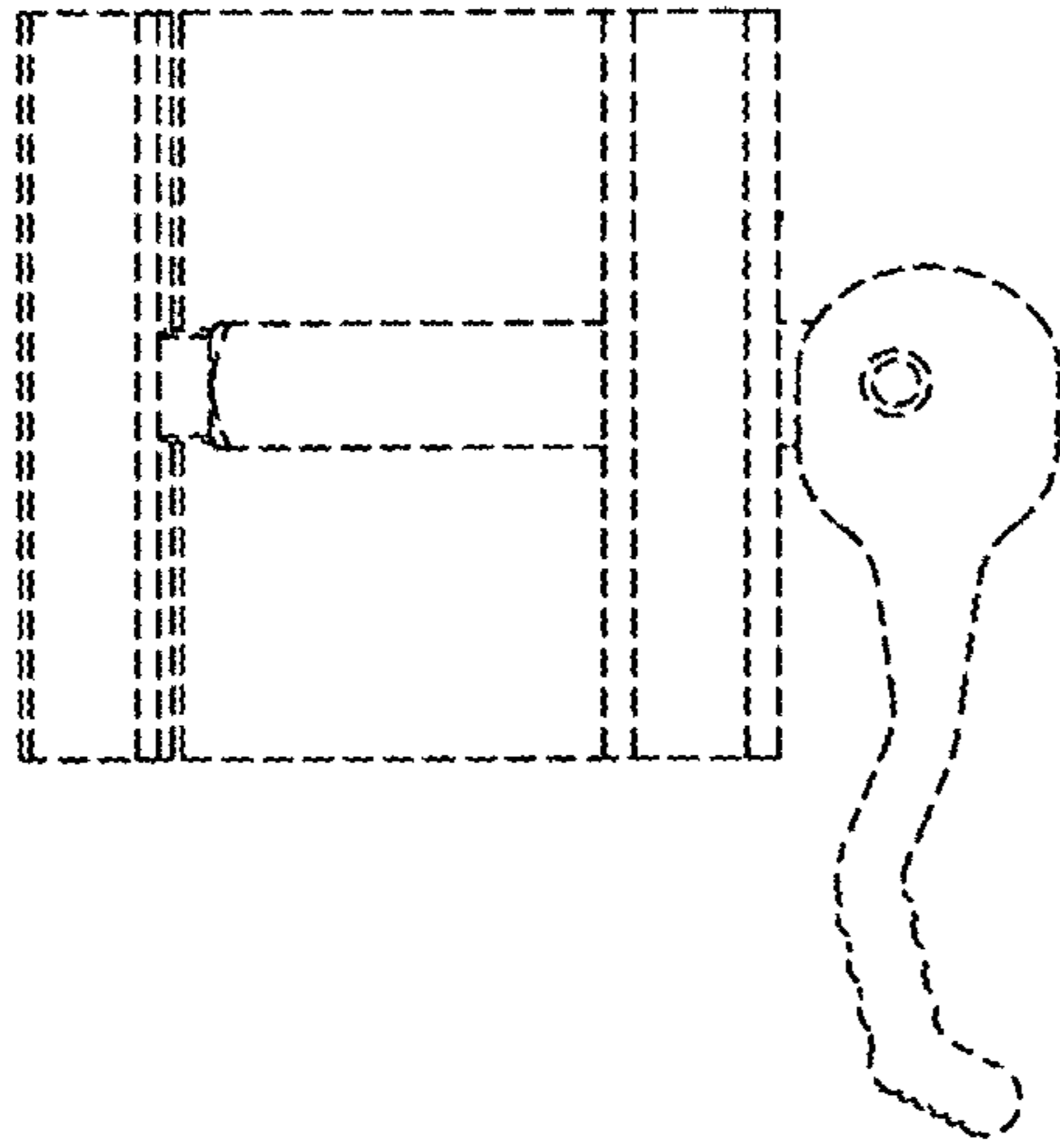


FIG. 9

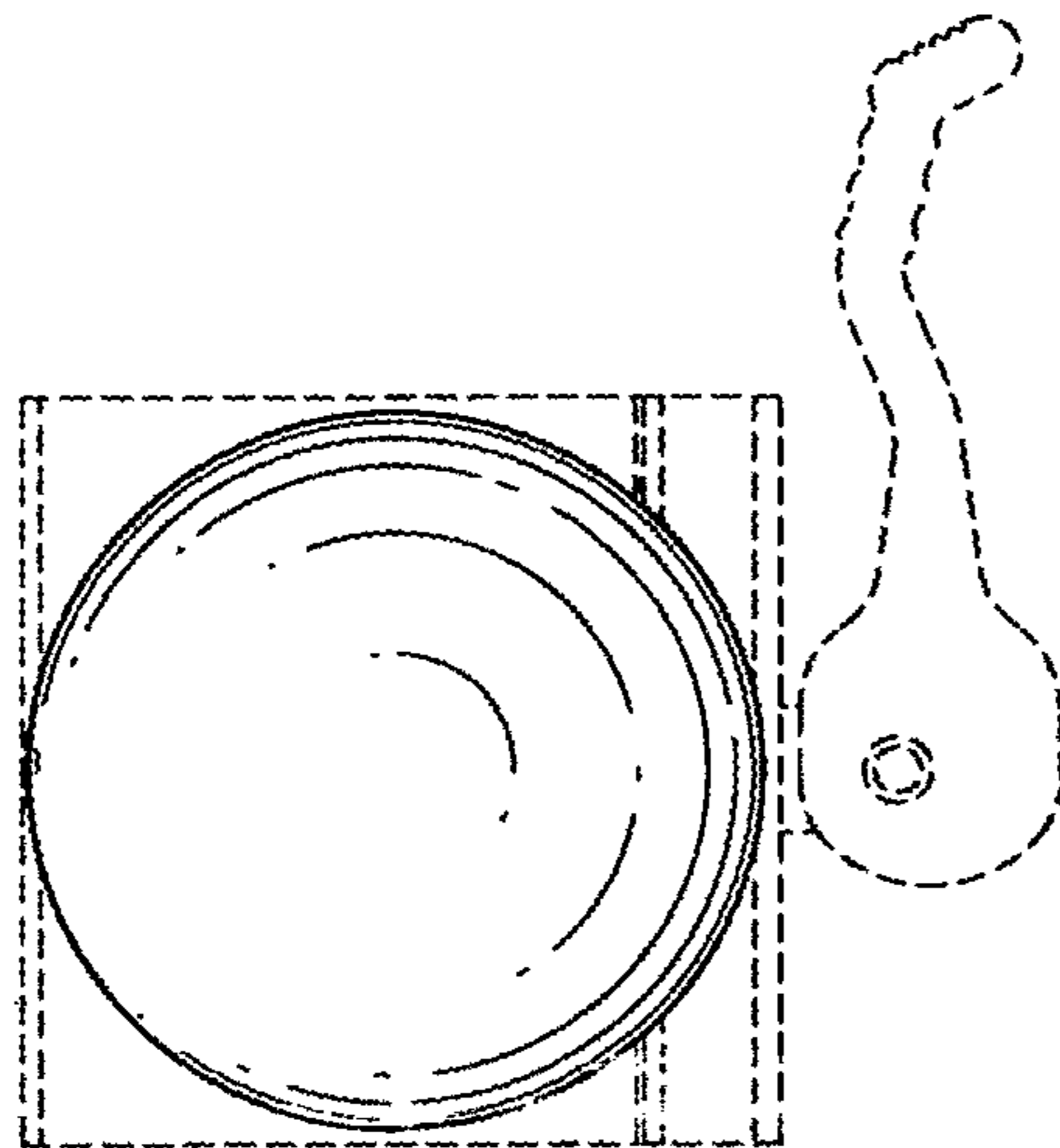


FIG. 8