



US00D895045S

(12) **United States Design Patent**
Thompson et al.

(10) **Patent No.:** **US D895,045 S**

(45) **Date of Patent:** **** Sep. 1, 2020**

(54) **BOW BLIND**

(71) Applicants: **Caleb Lane Thompson**, Evans, CO
(US); **Bradley Kent Thompson**,
Broomfield, CO (US)

(72) Inventors: **Caleb Lane Thompson**, Evans, CO
(US); **Bradley Kent Thompson**,
Broomfield, CO (US)

(**) Term: **15 Years**

(21) Appl. No.: **29/696,294**

(22) Filed: **Jun. 26, 2019**

(51) **LOC (12) Cl.** **22-01**

(52) **U.S. Cl.**
USPC **D22/107**

(58) **Field of Classification Search**
USPC D22/102, 106, 107, 115, 117, 199;
D21/387, 567, 570, 571, 746
CPC .. F42B 6/08; F42B 6/04; F42B 12/362; A61F
2002/30306; A61F 2230/0097
See application file for complete search history.

(56) **References Cited**

U.S. PATENT DOCUMENTS

6,086,026 A * 7/2000 Pearce F41B 5/14
211/13.1
D676,515 S * 2/2013 Mosteller D22/107
D714,414 S * 9/2014 Wright, III D22/107
D714,415 S * 9/2014 Wright, III D22/107
D741,672 S * 10/2015 Bryant D8/14
D767,070 S * 9/2016 Wright, III D22/107

D767,302 S * 9/2016 Wright, III D6/552
D809,905 S * 2/2018 Gunderson D8/371
D837,921 S * 1/2019 Wright, III D22/107

OTHER PUBLICATIONS

“Archery Compound Bow Stand” [online]. aliexpress.com. [Retrieved on Apr. 24, 2020]. Retrieved from the Internet: <<https://www.aliexpress.com/i/32917136404.html>>.*

* cited by examiner

Primary Examiner — Khawaja Anwar
Assistant Examiner — Mojtaba Tehrani

(57) **CLAIM**

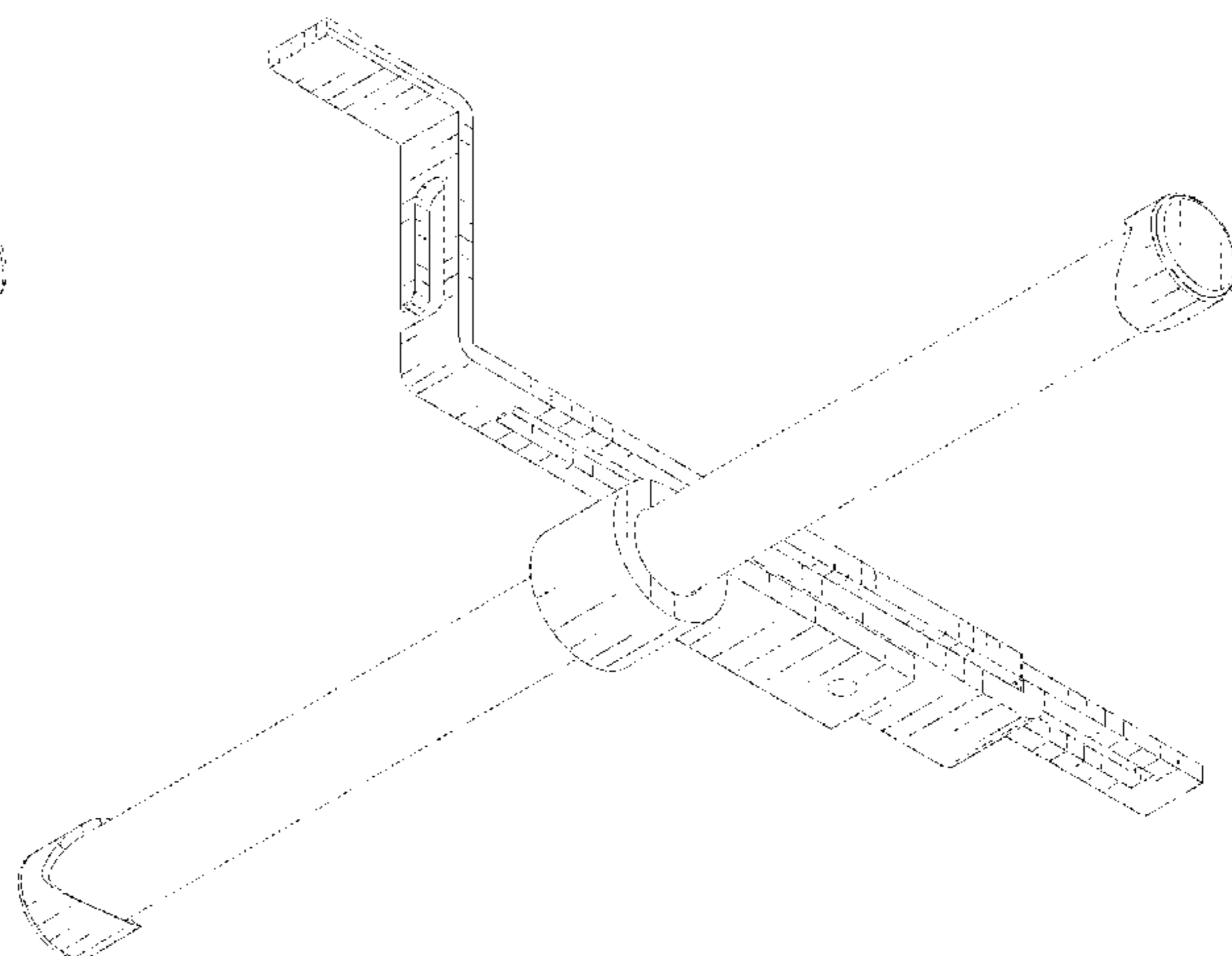
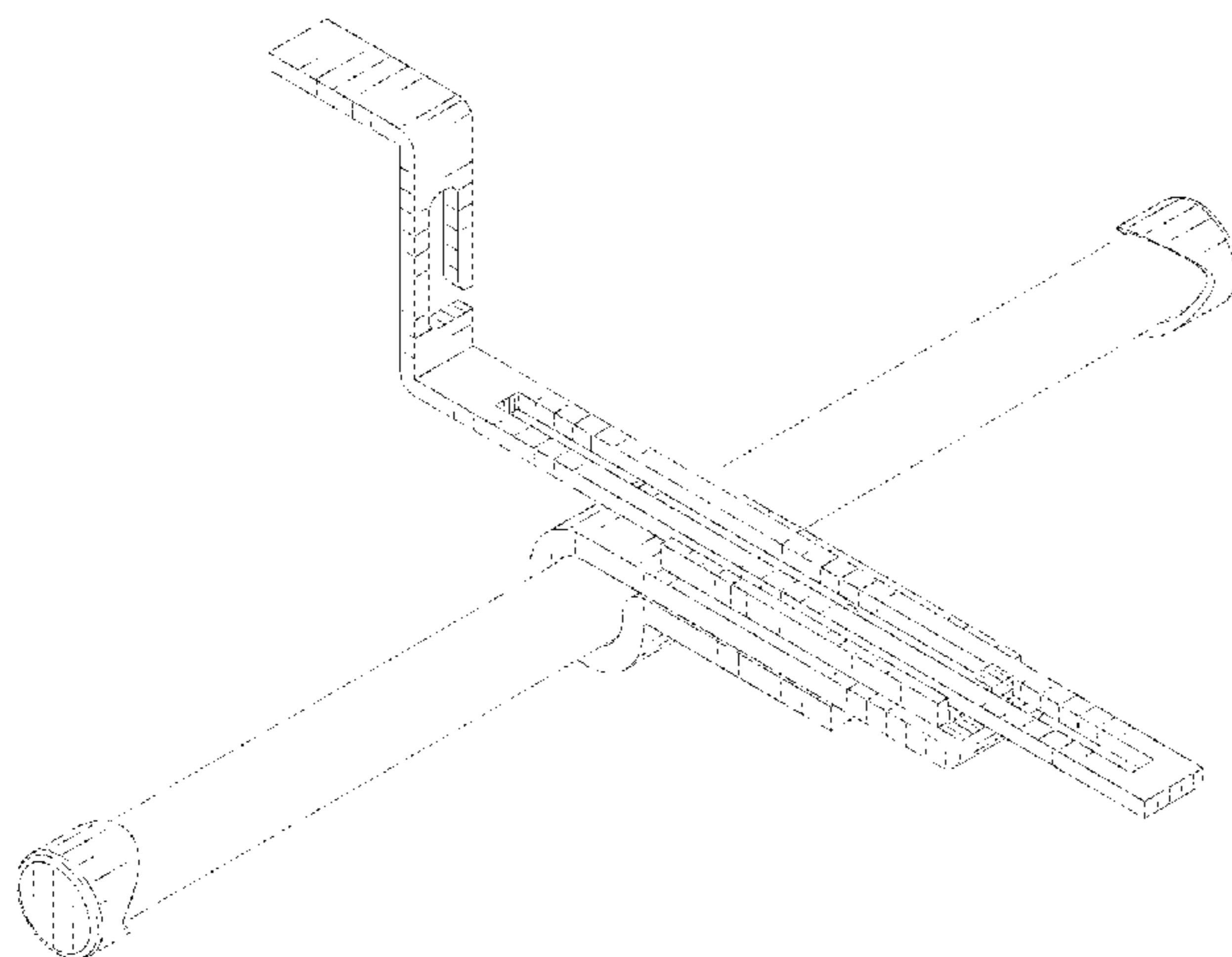
The ornamental design for a bow blind, as shown and described.

DESCRIPTION

FIG. 1 is a top perspective view of a bow blind showing my new design;
FIG. 2 is a bottom perspective view thereof;
FIG. 3 is a front elevational view thereof;
FIG. 4 is a rear elevational view thereof;
FIG. 5 is a left-side elevational view thereof;
FIG. 6 is a right-side elevational view thereof;
FIG. 7 is a top plan view thereof;
FIG. 8 is a bottom plan view thereof; and,
FIG. 9 a top perspective view thereof in an extended configuration.

The broken line showing the cylindrical rod in FIGS. 1-9 is included for the purpose of illustrating environmental structure and forms no part of the claimed design.

1 Claim, 9 Drawing Sheets



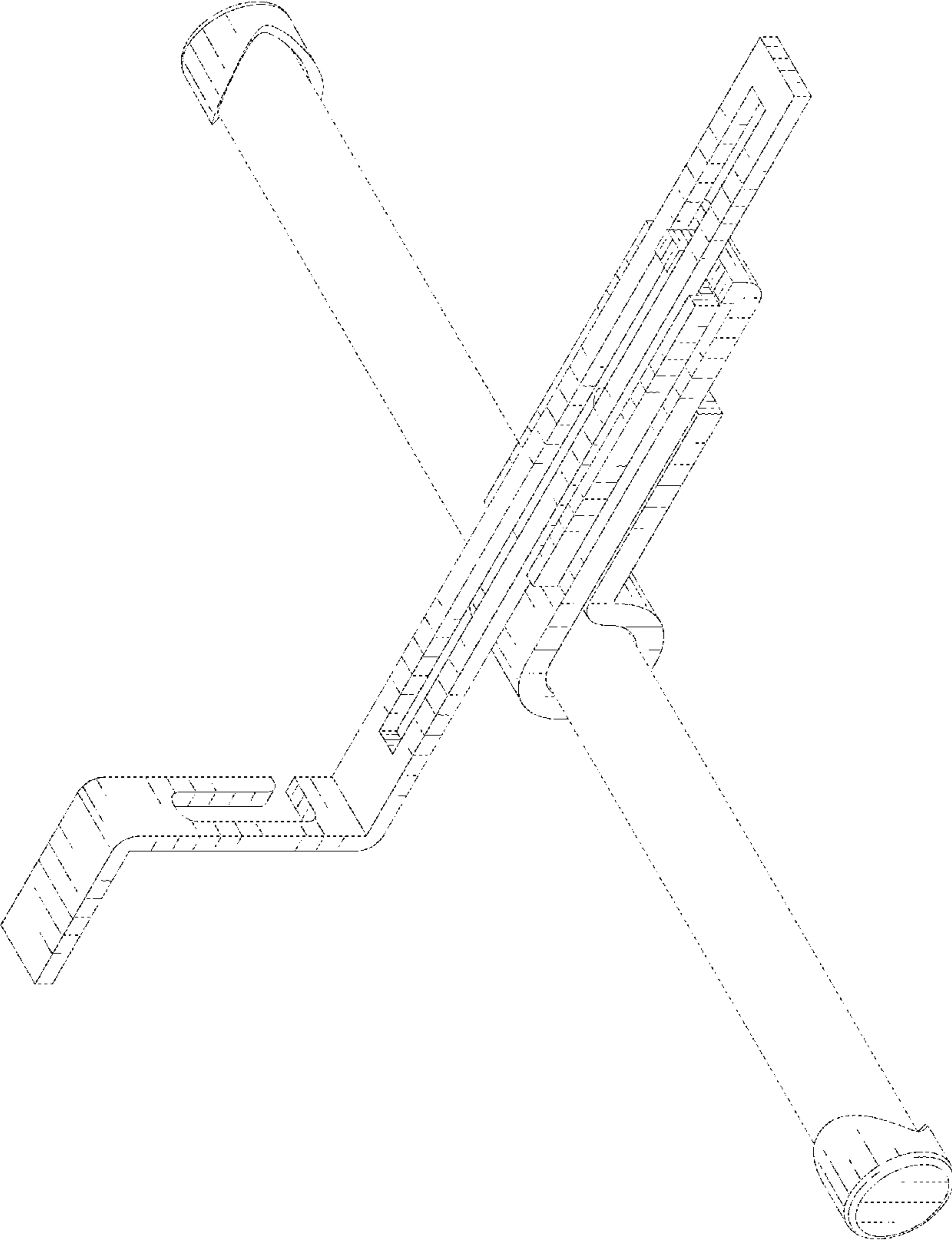


FIG. 1

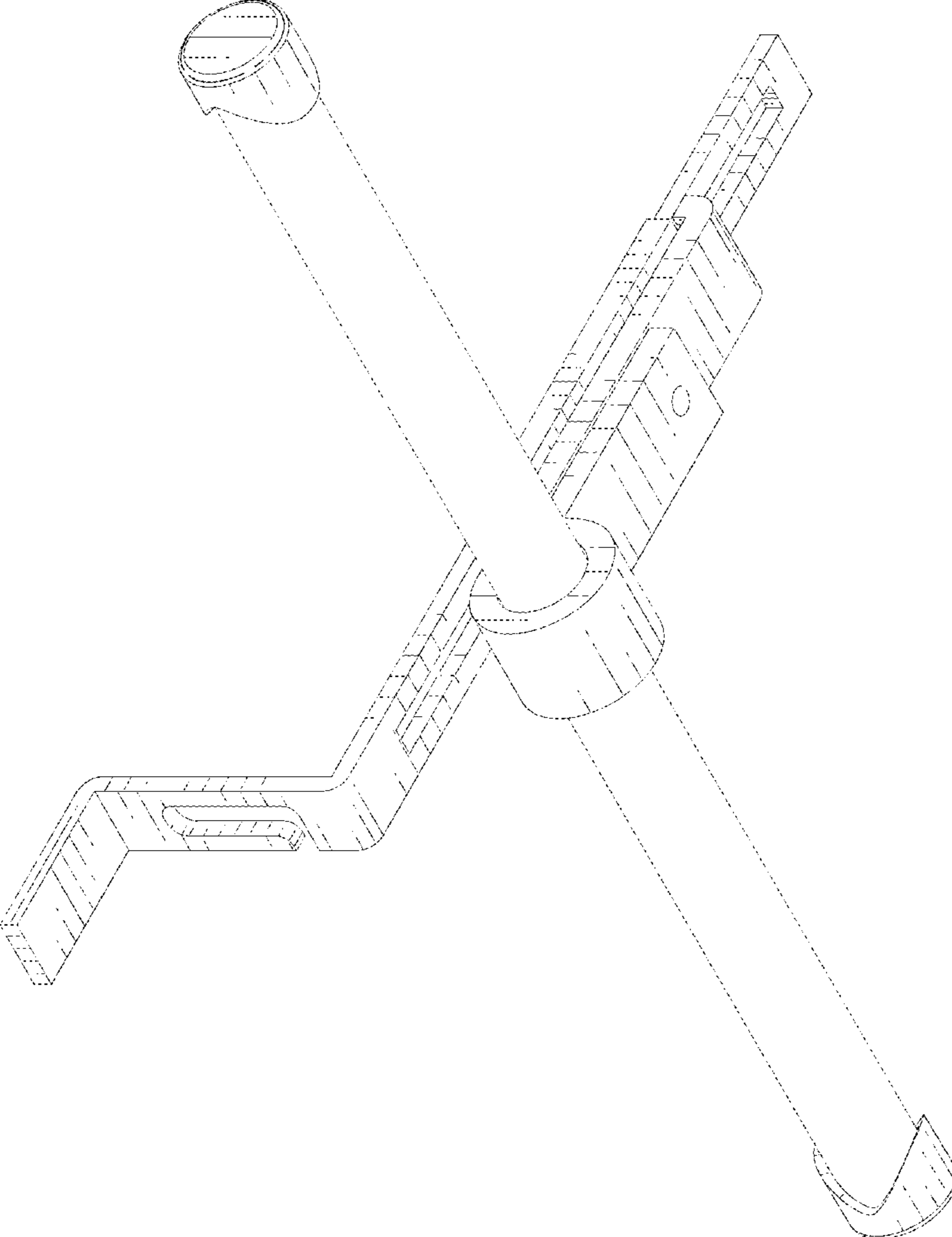


FIG. 2

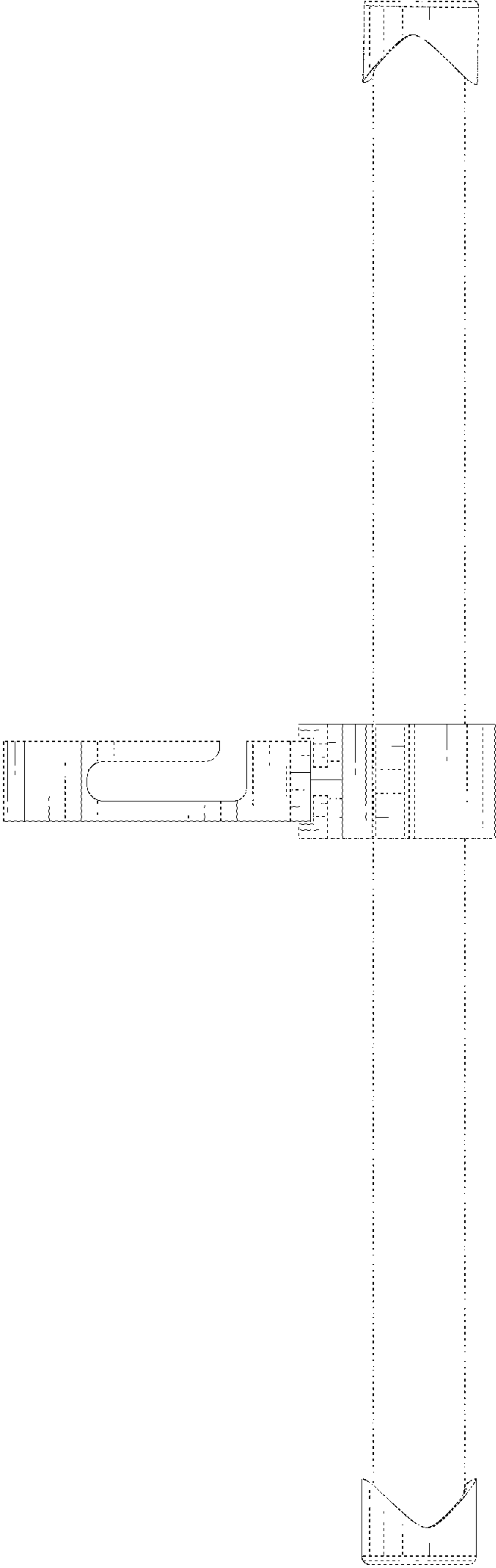


FIG. 3

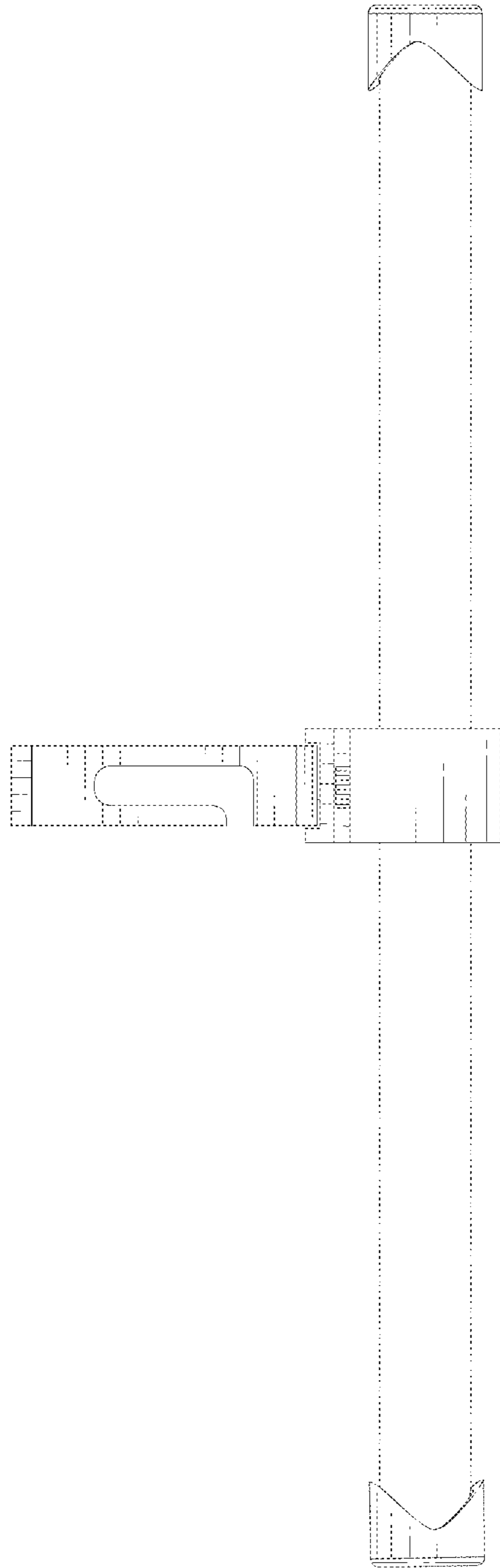


FIG. 4

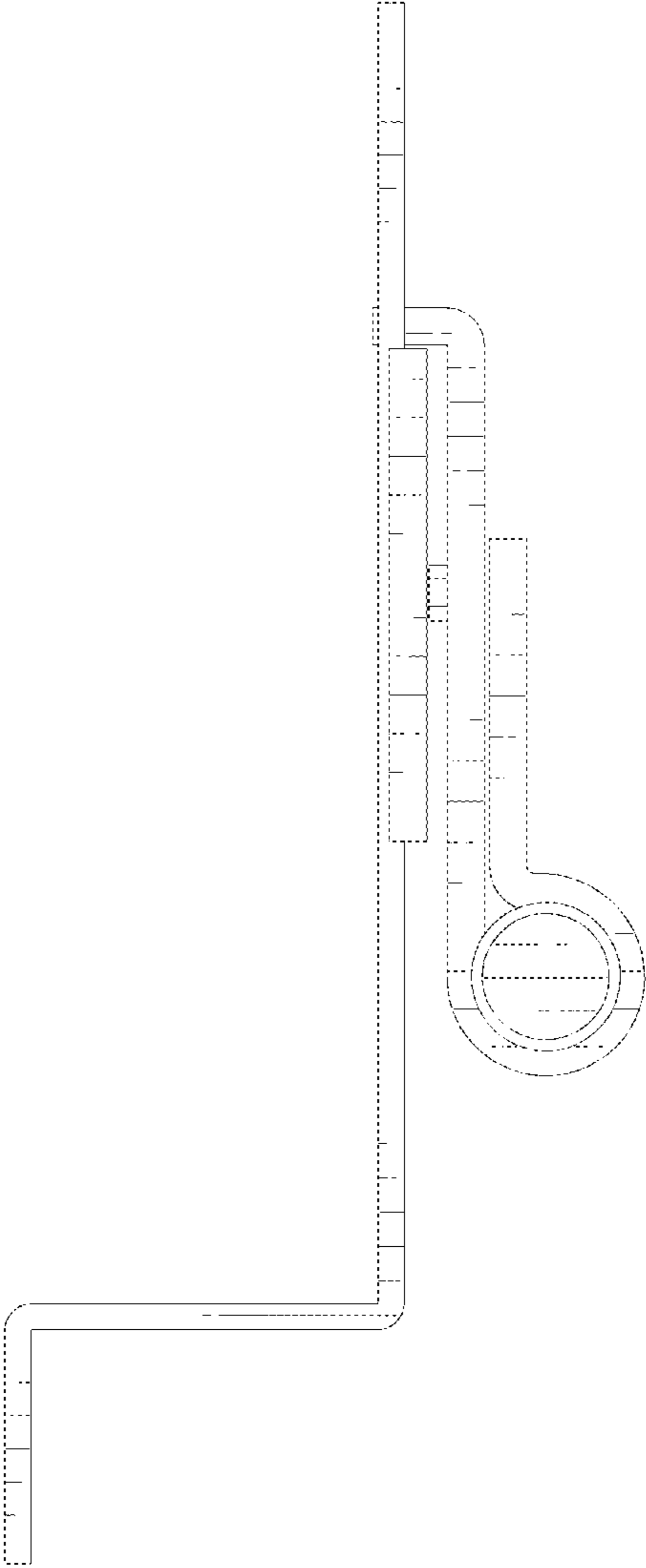


FIG. 5

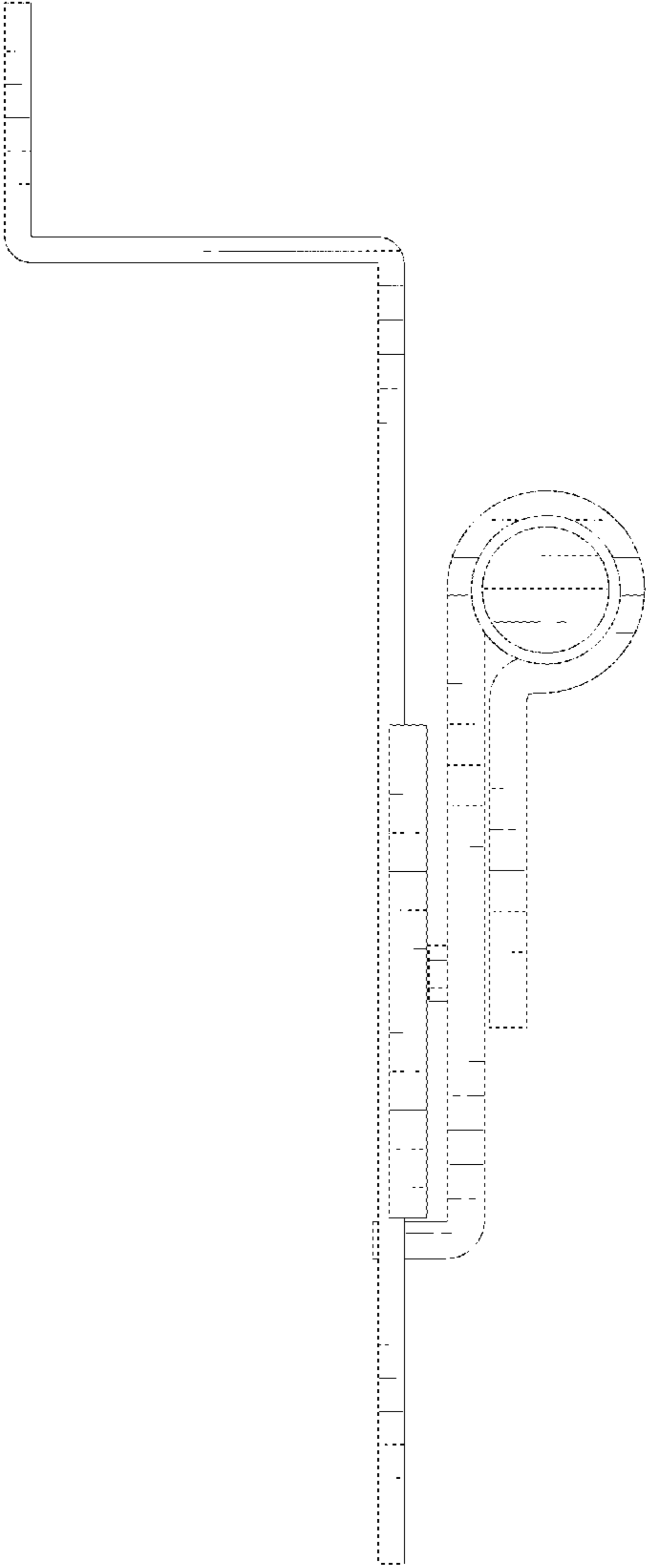


FIG. 6

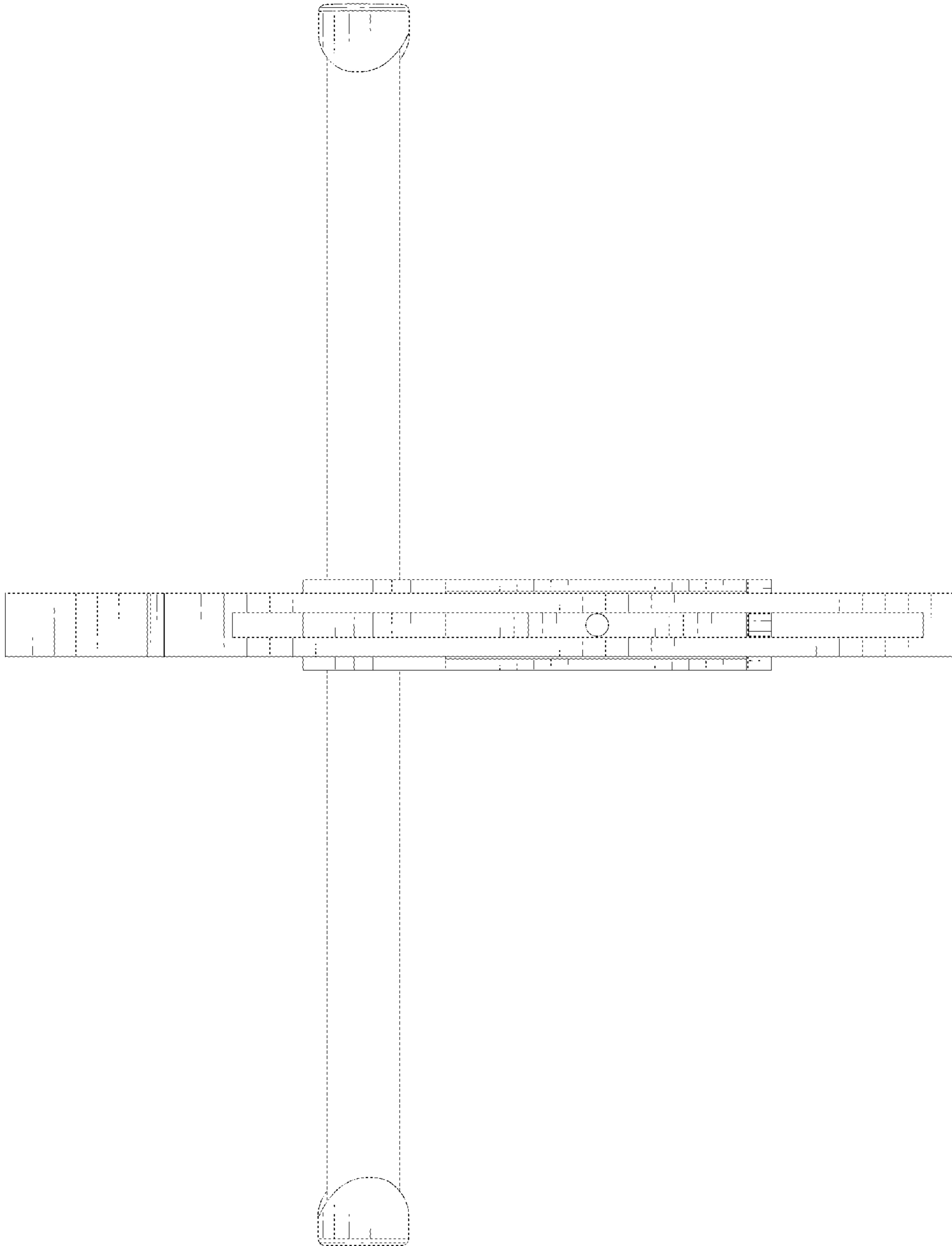


FIG. 7

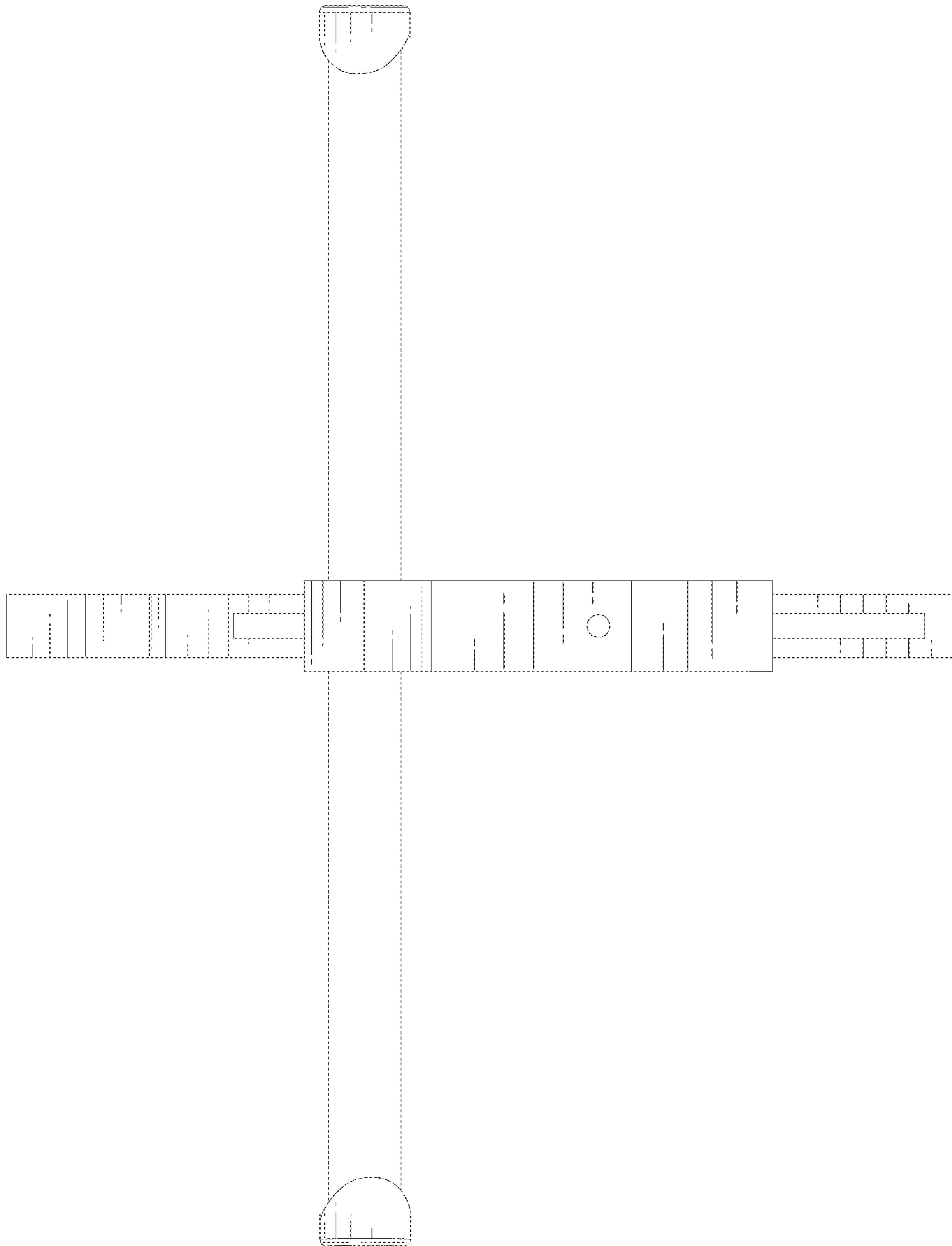


FIG. 8

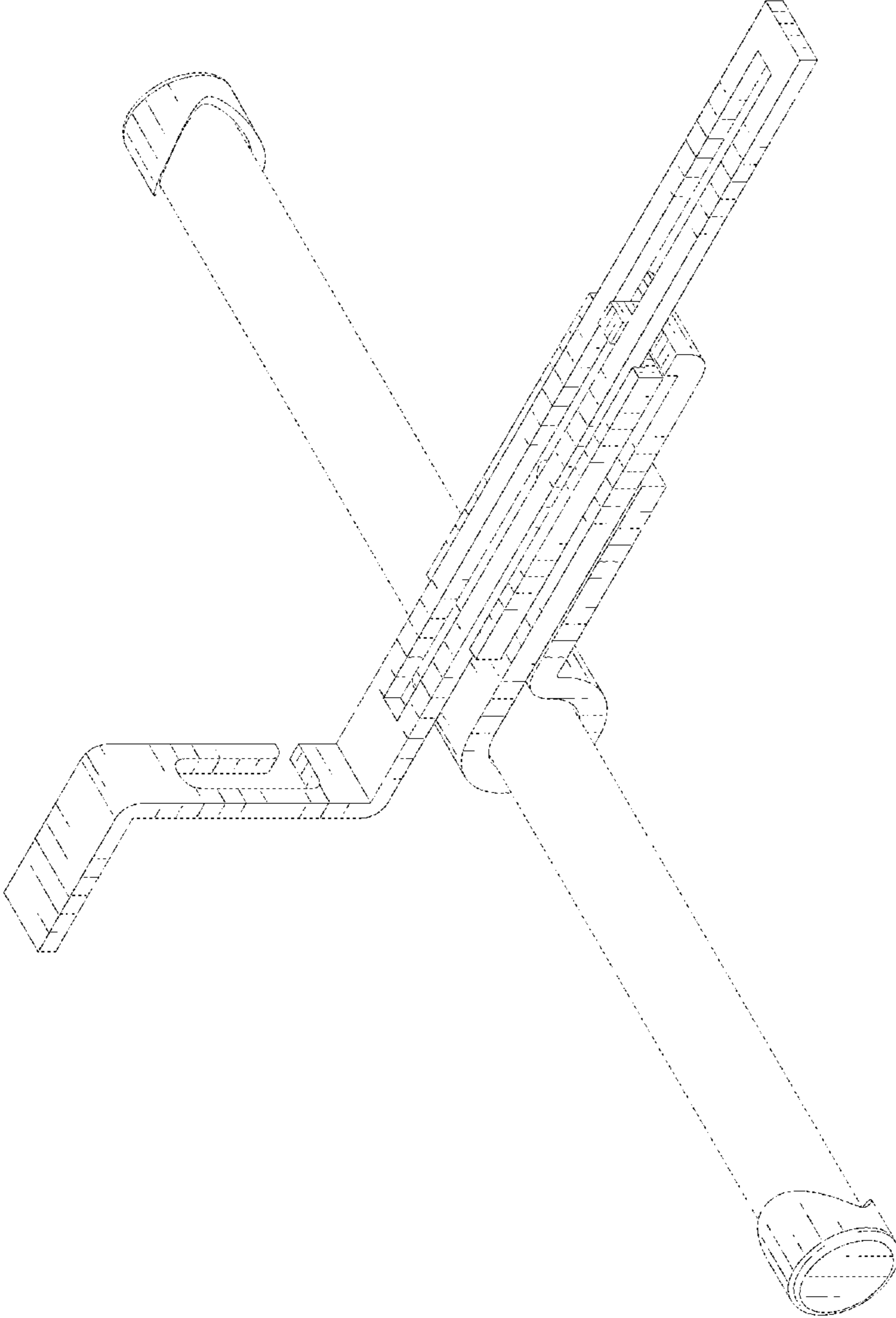


FIG. 9