



US00D895044S

(12) **United States Design Patent**
Zhang

(10) **Patent No.:** **US D895,044 S**

(45) **Date of Patent:** **** Sep. 1, 2020**

(54) **GOLF SWING ANGLE GUIDE**

(71) Applicant: **Huaimian Zhang**, Fuzhou (CN)

(72) Inventor: **Huaimian Zhang**, Fuzhou (CN)

(**) Term: **15 Years**

(21) Appl. No.: **29/671,382**

(22) Filed: **Nov. 27, 2018**

(51) **LOC (12) Cl.** **21-02**

(52) **U.S. Cl.**
USPC **D21/791**

(58) **Field of Classification Search**
USPC D21/789, 791
CPC A63B 69/3641; A63B 69/3623; A63B
69/3608; A63B 69/3658; A63B 69/3661;
A63B 69/3667; A63B 69/3691; A63B
69/3652
See application file for complete search history.

D529,568 S * 10/2006 Gauer D21/791
D557,366 S * 12/2007 Witt D21/791
D574,916 S * 8/2008 Ford D21/791
D635,632 S * 4/2011 Rymniak D21/791
D696,740 S * 12/2013 Wilkie D21/791
D717,898 S * 11/2014 Pfaff D21/791
D728,719 S * 5/2015 Starrs D21/791
D736,881 S * 8/2015 Keisler D21/791
D868,162 S * 11/2019 Tanoury D21/305

* cited by examiner

Primary Examiner — Mitchell I. Siegel

(74) *Attorney, Agent, or Firm* — Steven A. Nielsen;
www.NielsenPatents.com

(57) **CLAIM**

The ornamental design for a golf swing angle guide, as shown and described.

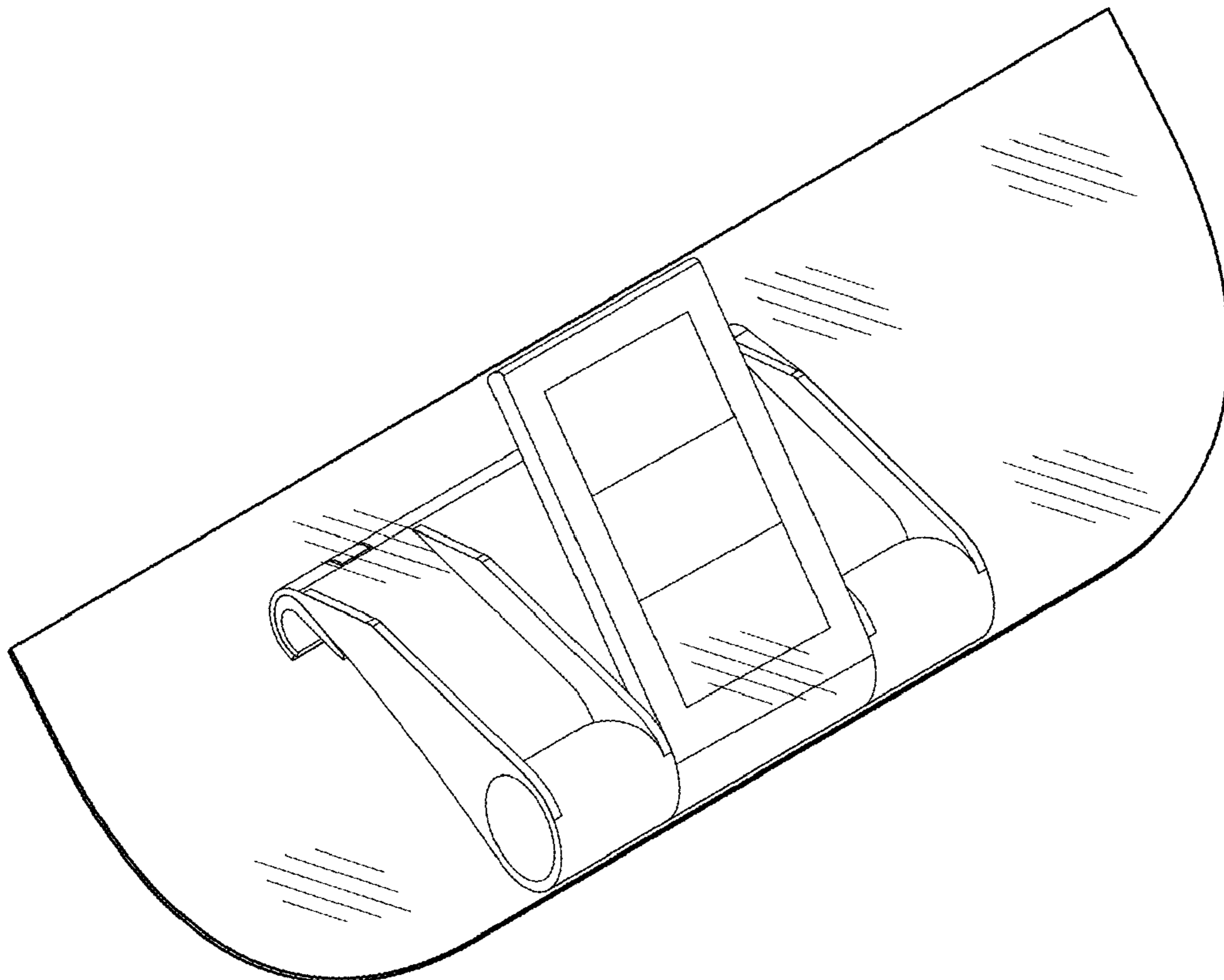
DESCRIPTION

FIG. 1 is a top and side view of a golf swing angle guide showing a new design;
FIG. 2 is a top view thereof;
FIG. 3 is a bottom view thereof;
FIG. 4 is a right side view thereof;
FIG. 5 is a left side thereof;
FIG. 6 is a front view thereof; and,
FIG. 7 is a back view thereof.

1 Claim, 4 Drawing Sheets

(56) **References Cited**
U.S. PATENT DOCUMENTS

D336,121 S * 6/1993 Bellagamba D21/791
D336,673 S * 6/1993 Ohly D21/791
D375,774 S * 11/1996 Harrold D21/791
5,595,545 A * 1/1997 O'Brien A63B 69/3644
473/259
D417,251 S * 11/1999 Francisco D21/791
D524,893 S * 7/2006 Rinaldi D21/791



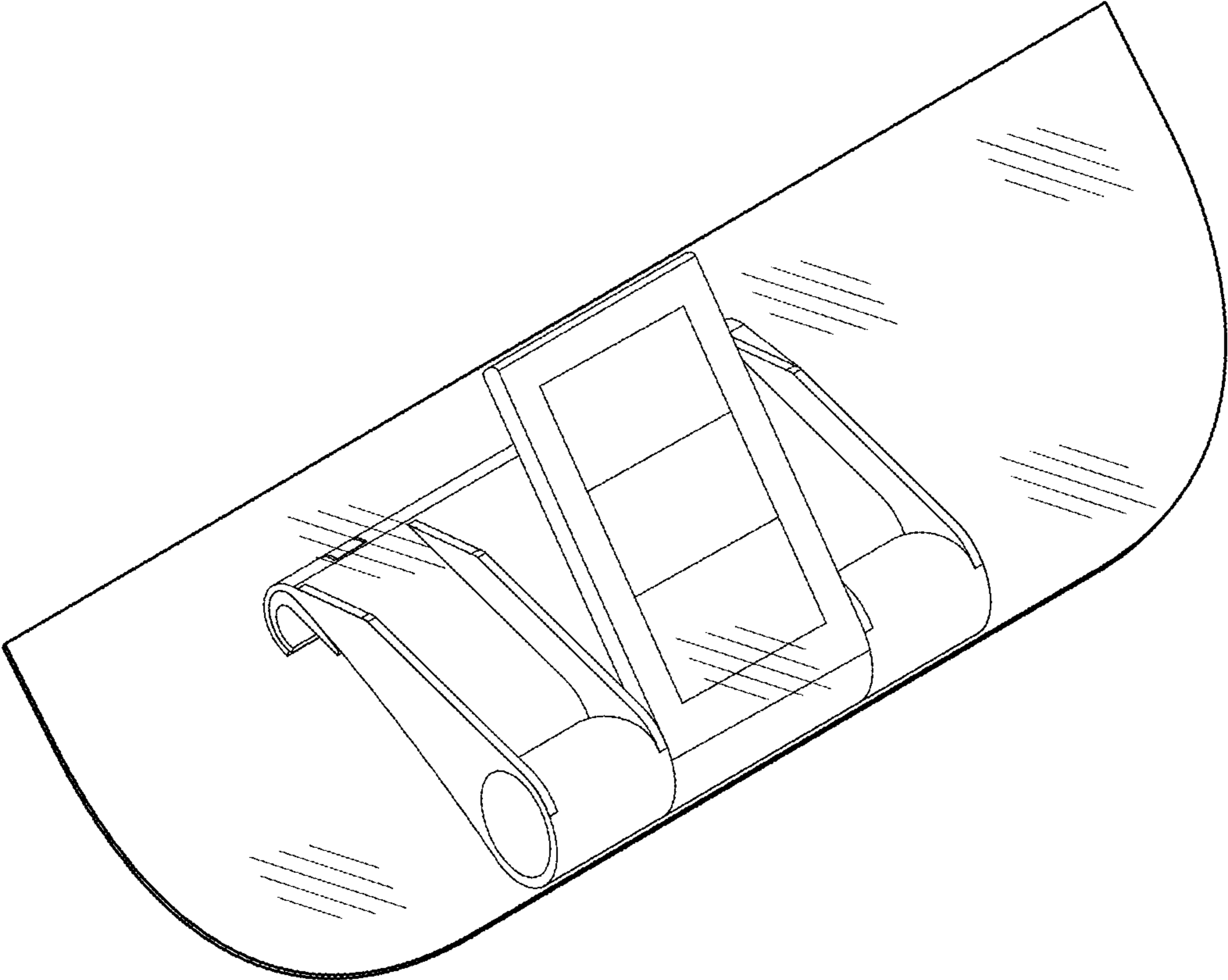


FIG. 1

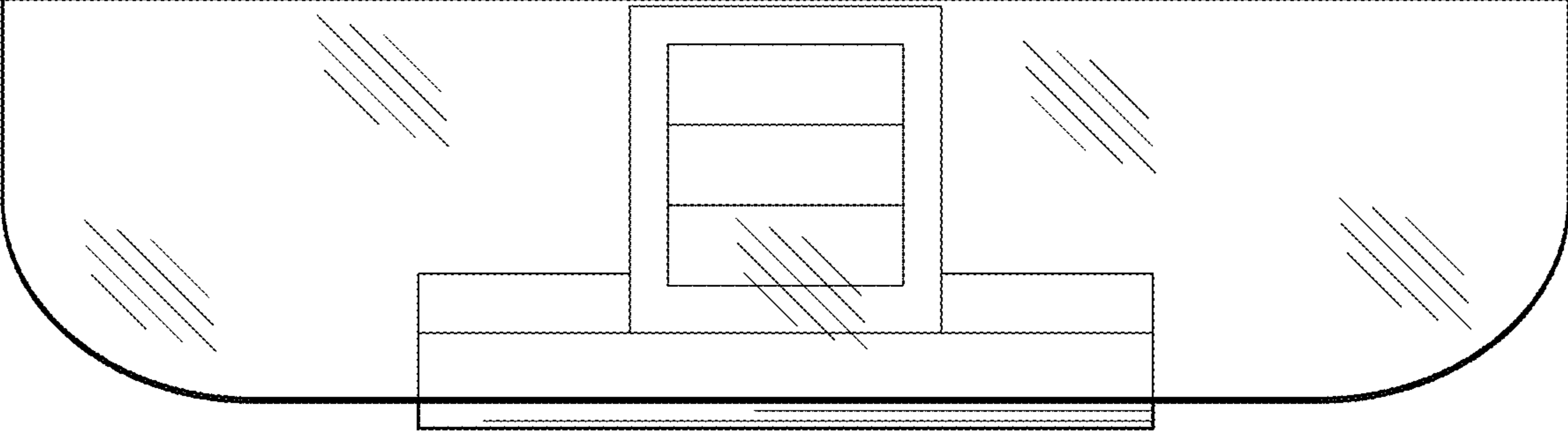


FIG. 2

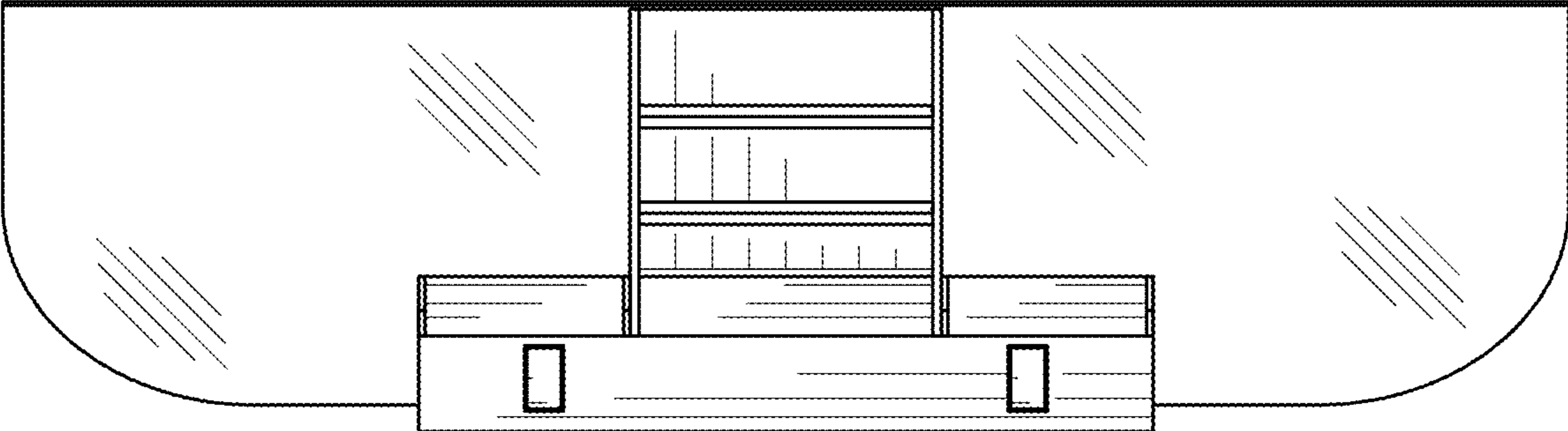


FIG. 3

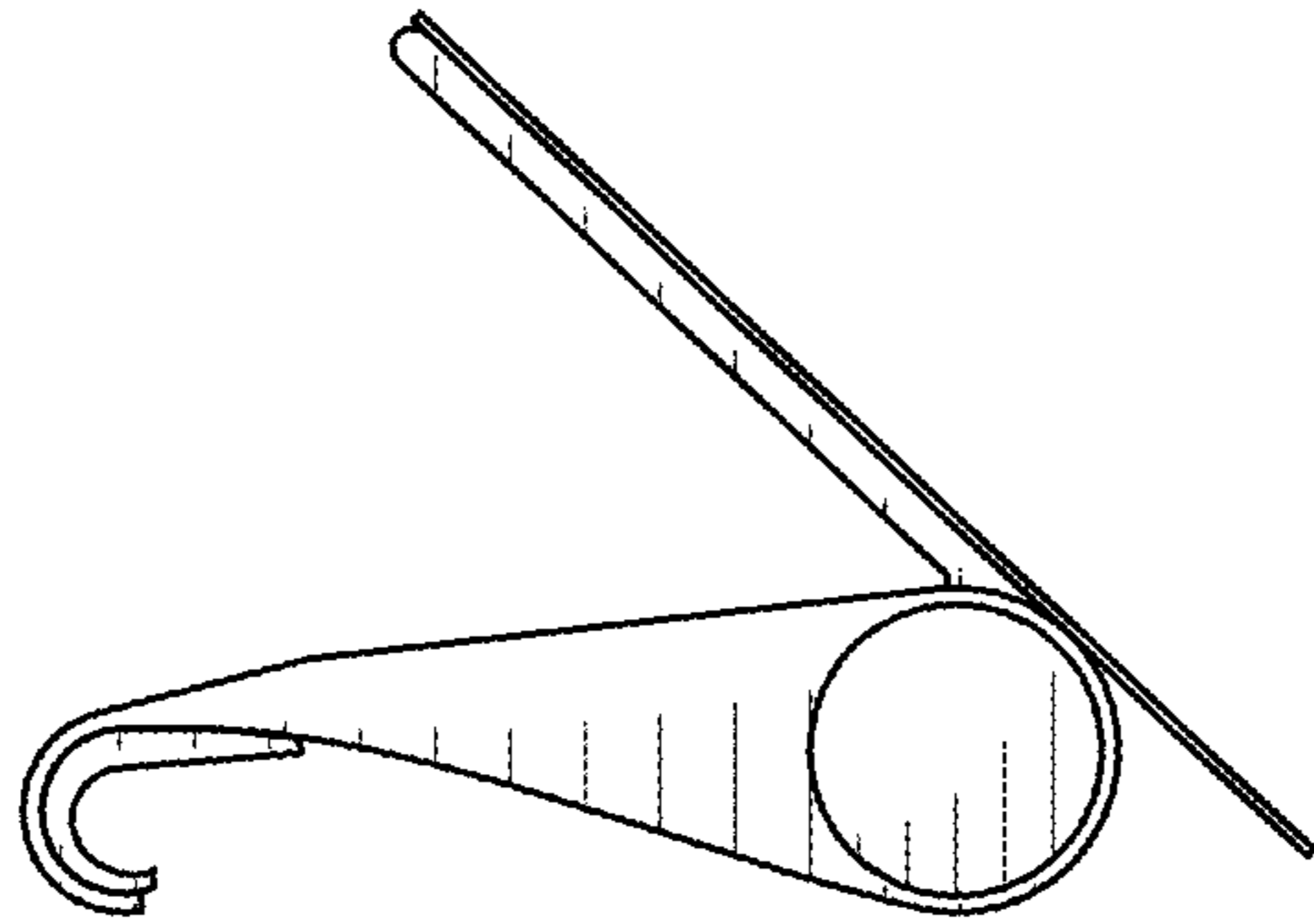


FIG. 4

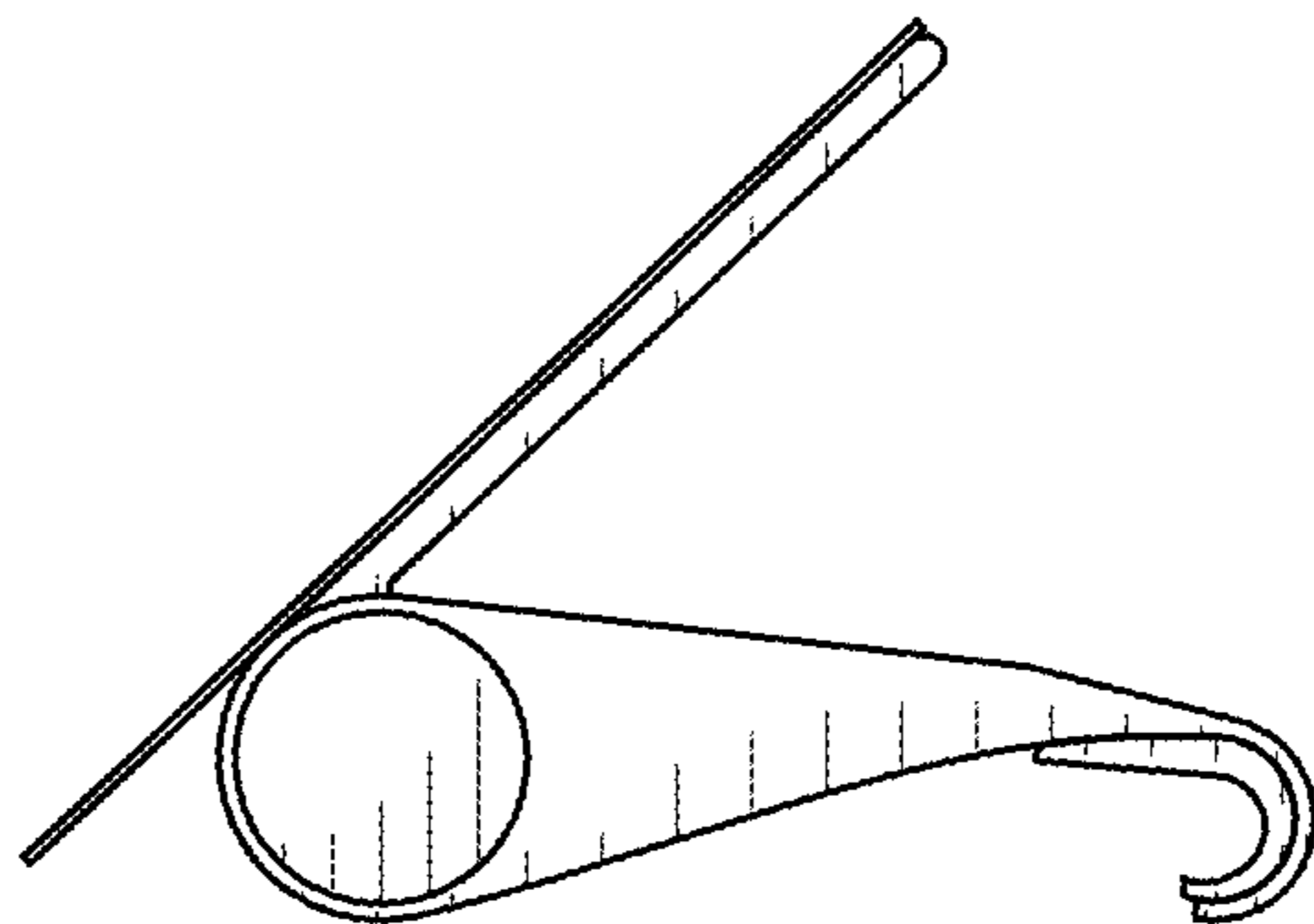


FIG. 5

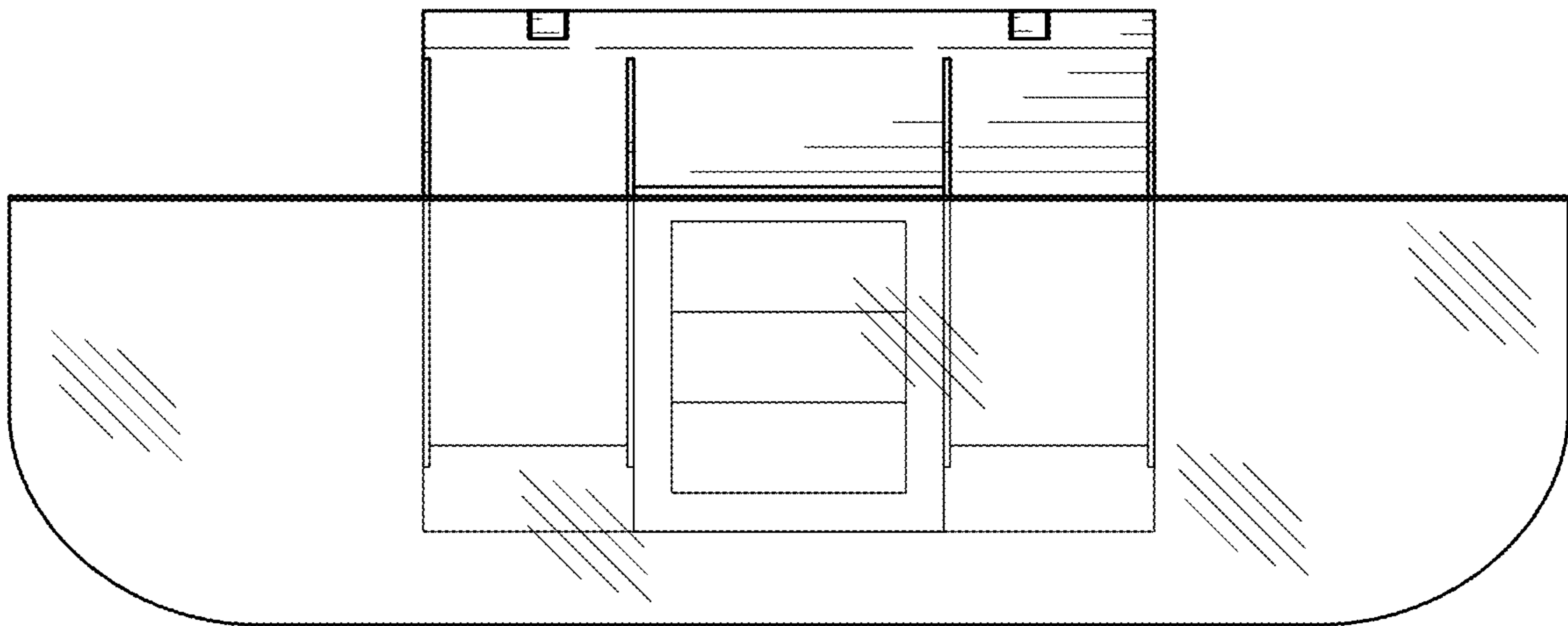


FIG. 6

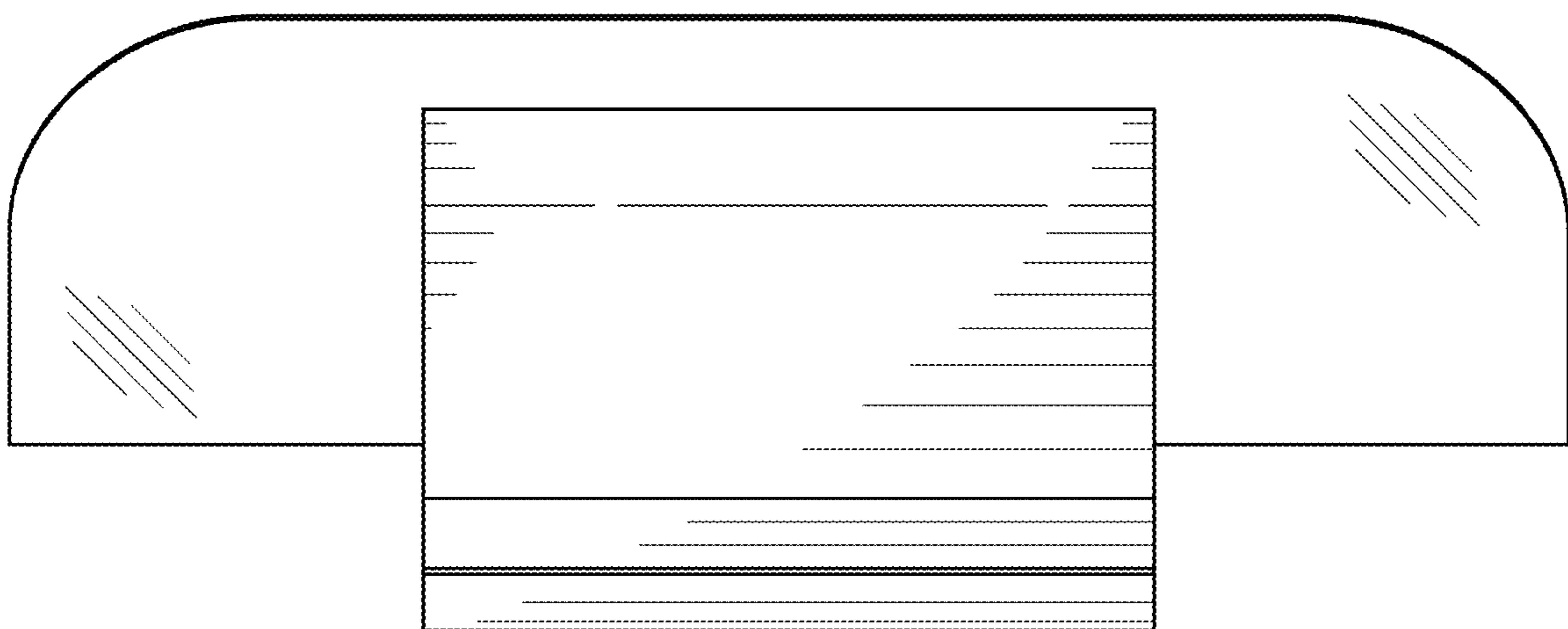


FIG. 7