



US00D895043S

(12) **United States Design Patent**  
**Atkinson**

(10) **Patent No.:** **US D895,043 S**

(45) **Date of Patent:** **\*\* Sep. 1, 2020**

(54) **GOLF CLUB CROWN**

(71) Applicant: **Alan M. Atkinson**, London (CA)

(72) Inventor: **Alan M. Atkinson**, London (CA)

(\*\*) Term: **15 Years**

(21) Appl. No.: **29/689,820**

(22) Filed: **May 2, 2019**

(51) **LOC (12) Cl.** ..... **21-02**

(52) **U.S. Cl.**  
USPC ..... **D21/759**

(58) **Field of Classification Search**  
USPC ..... D21/747-751, 759  
CPC ..... A63B 53/00; A63B 53/02; A63B 53/04;  
A63B 53/047; A63B 53/0475; A63B  
2053/0479; A63B 2053/0483; A63B  
2053/0445; A63B 60/00; A63B 60/46  
See application file for complete search history.

(56) **References Cited**

**U.S. PATENT DOCUMENTS**

D111,855 S *	10/1938	Moreno	.....	D21/759
D150,497 S *	8/1948	Forsell	.....	D21/759
D205,041 S *	6/1966	Capps	.....	D21/759
4,002,343 A *	1/1977	Eckert	.....	A63B 69/3632
				473/251
D301,907 S *	6/1989	Muta	.....	D21/750

D329,481 S *	9/1992	Hunt	.....	D21/750
D360,446 S *	7/1995	Juliano	.....	D21/759
D502,519 S *	3/2005	Kang	.....	D21/759
D519,593 S *	4/2006	Solari	.....	D21/791
D626,615 S *	11/2010	Isbrandt	.....	D21/759

\* cited by examiner

*Primary Examiner* — Mitchell I. Siegel

(74) *Attorney, Agent, or Firm* — Jacob M. Ward; Ward Law Office LLC

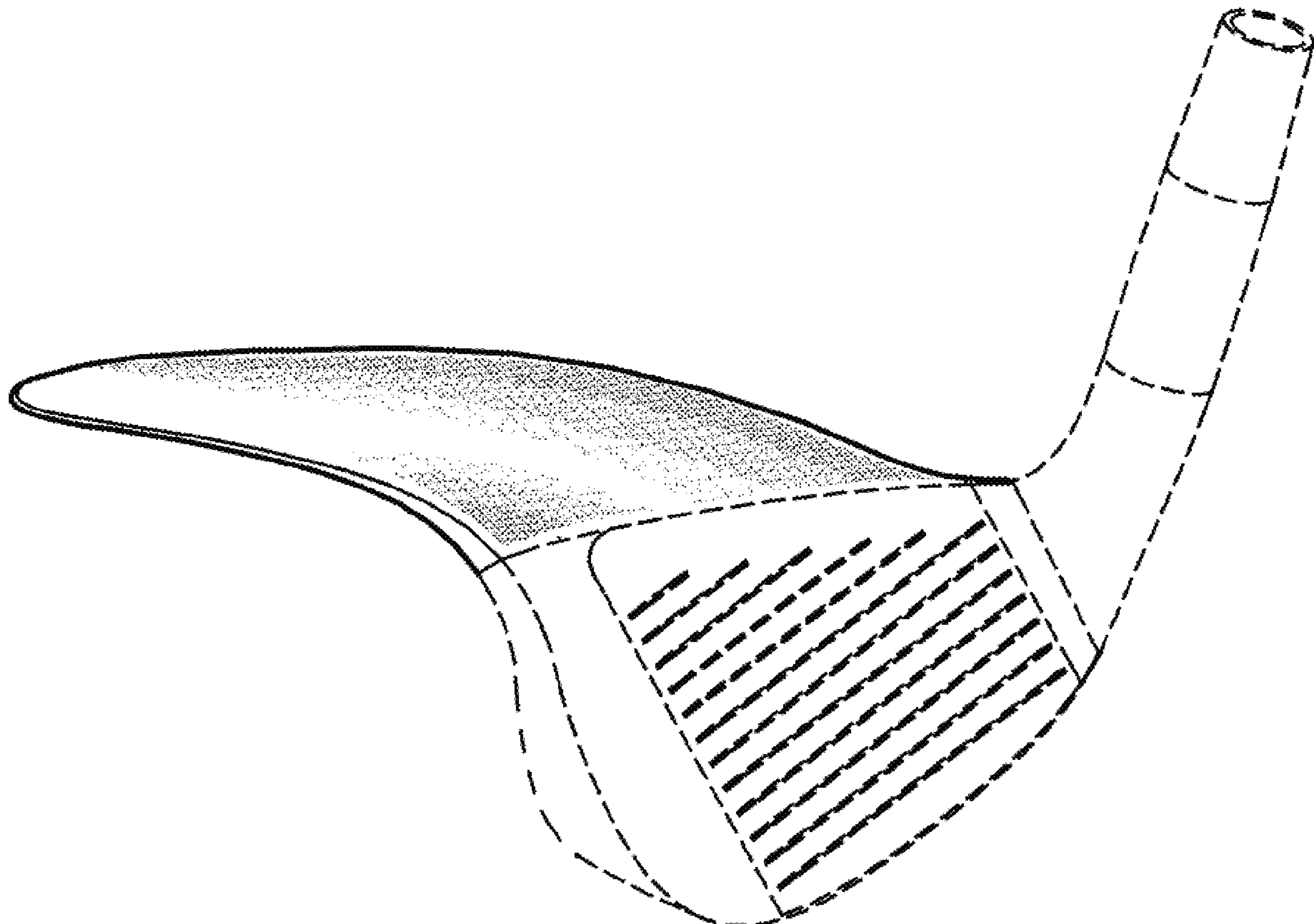
(57) **CLAIM**

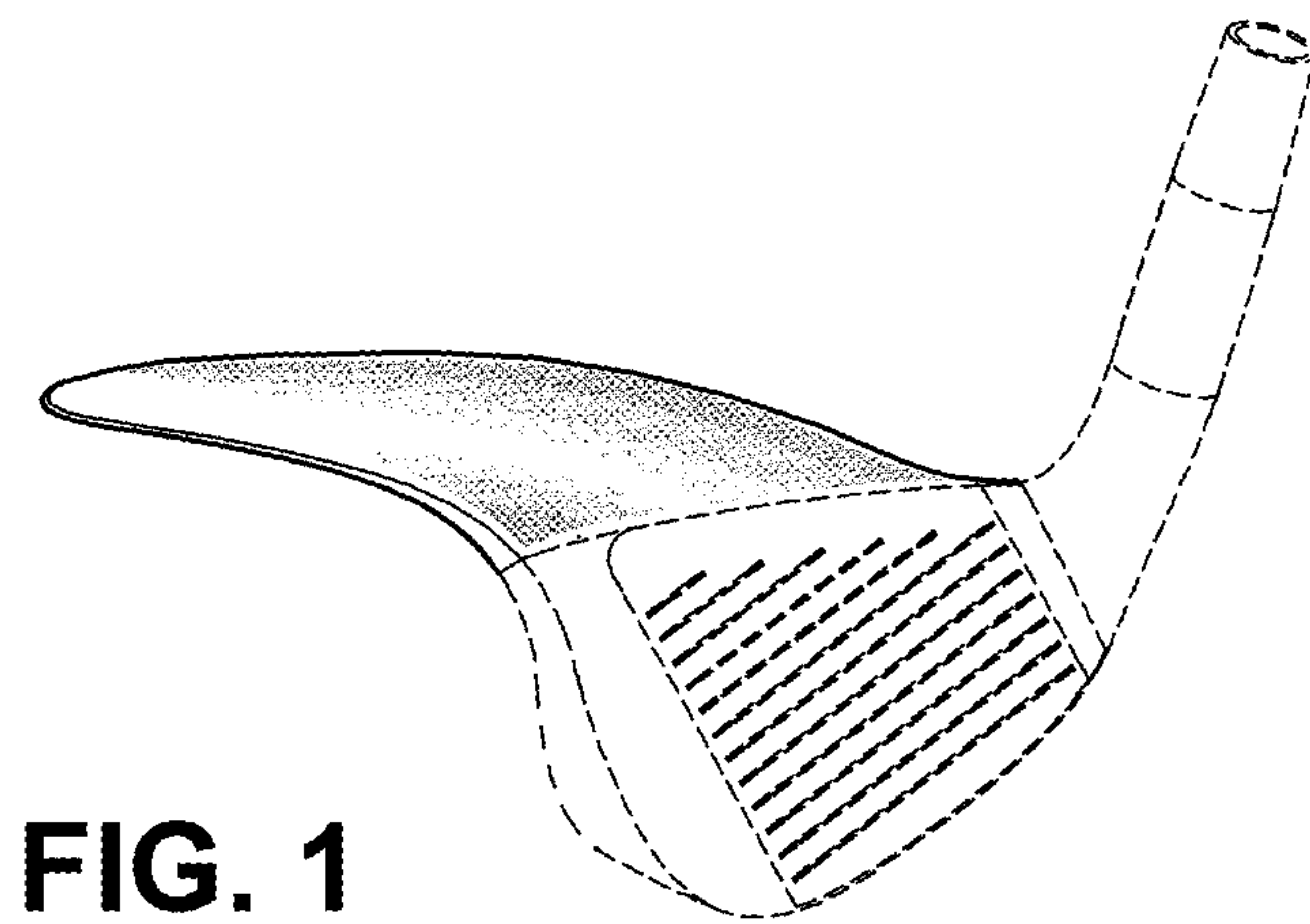
The ornamental design for a golf club crown, as shown and described.

**DESCRIPTION**

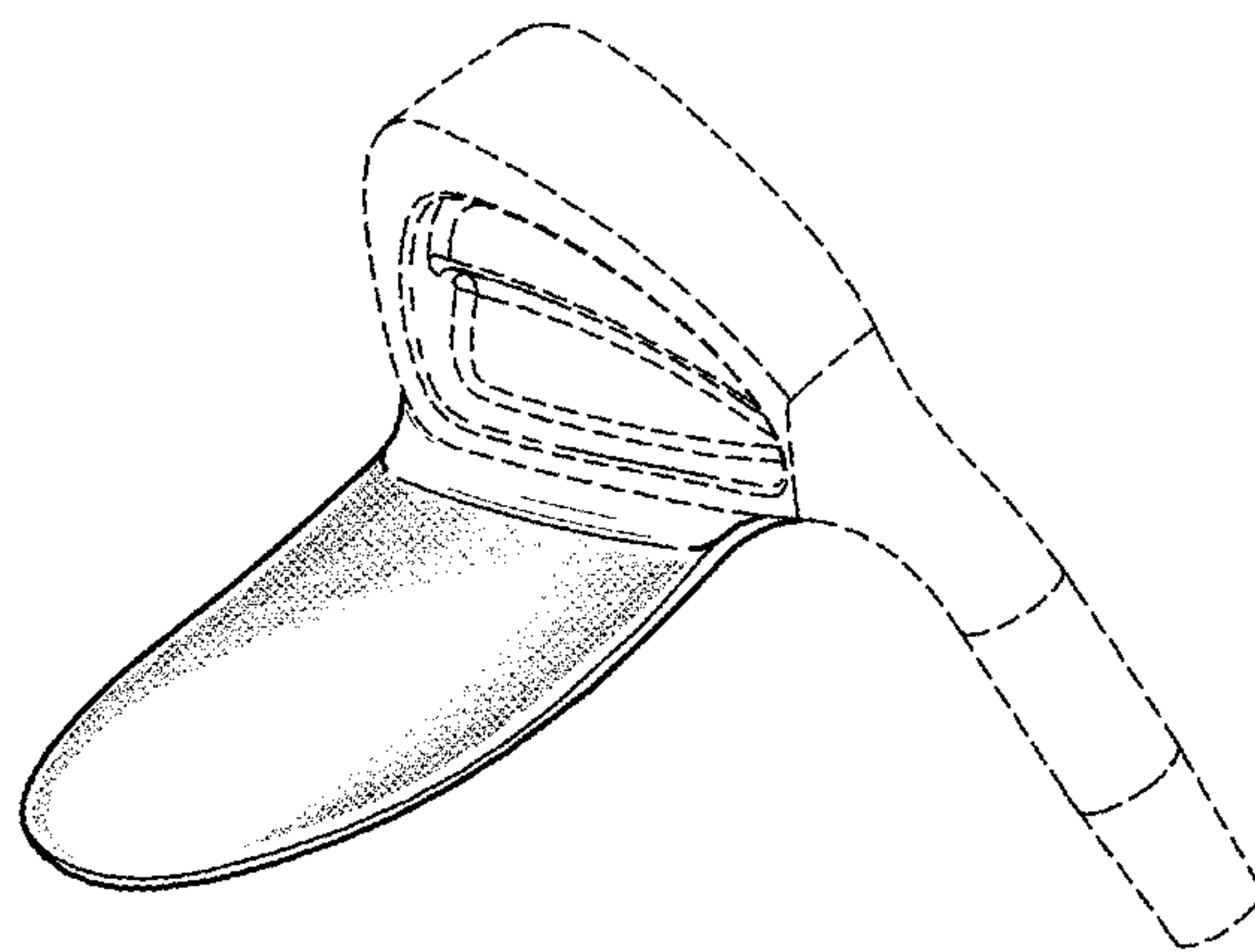
FIG. 1 is a top perspective view of a golf club crown;  
FIG. 2 is a bottom perspective view thereof;  
FIG. 3 is a top plan view thereof;  
FIG. 4 is a bottom plan view thereof;  
FIG. 5 is a front elevational view thereof;  
FIG. 6 is a rear elevational view thereof;  
FIG. 7 is a right side elevational view thereof; and,  
FIG. 8 is a left side elevational view thereof.  
The broken lines depict environment that forms no part of the claimed design.

**1 Claim, 3 Drawing Sheets**

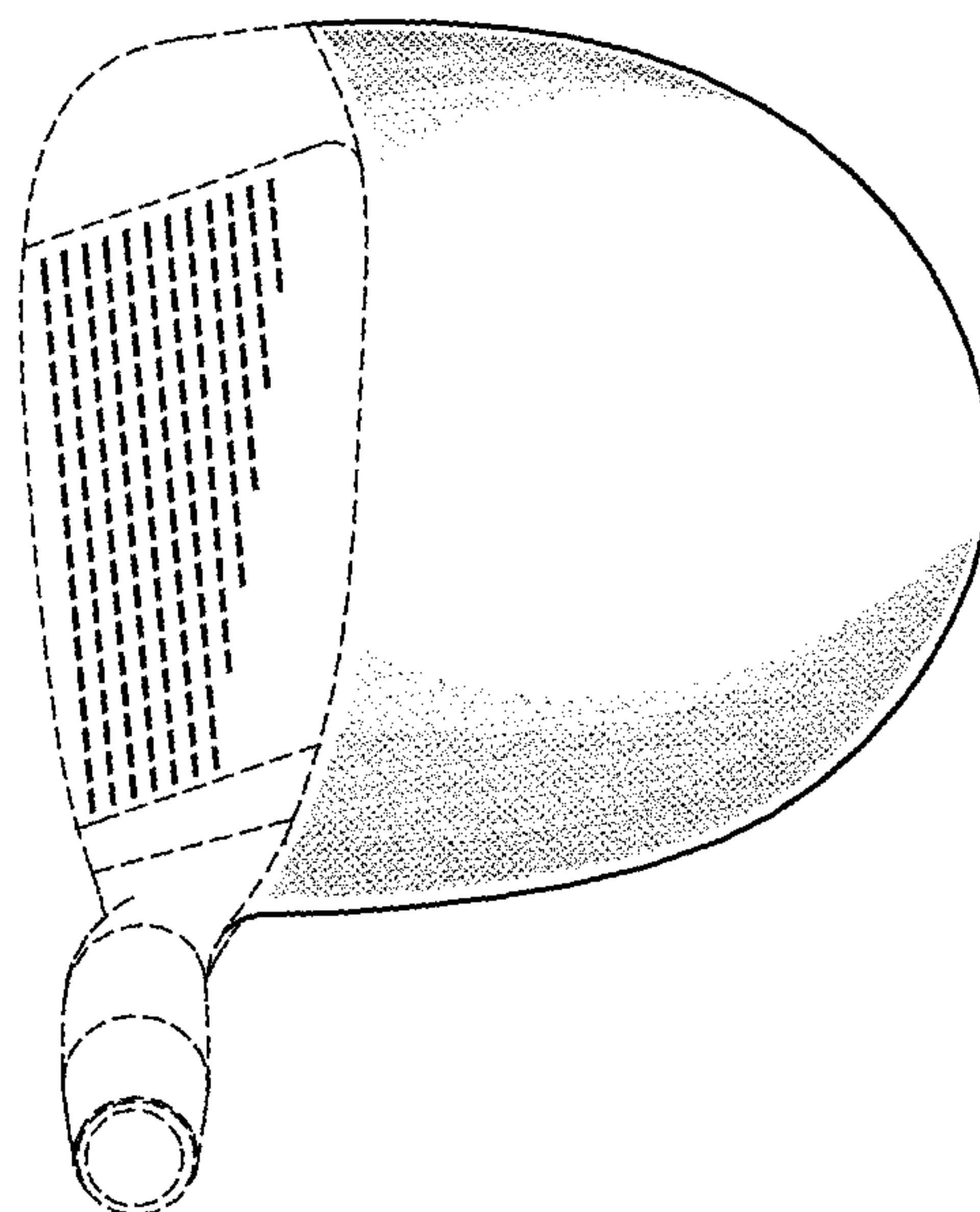




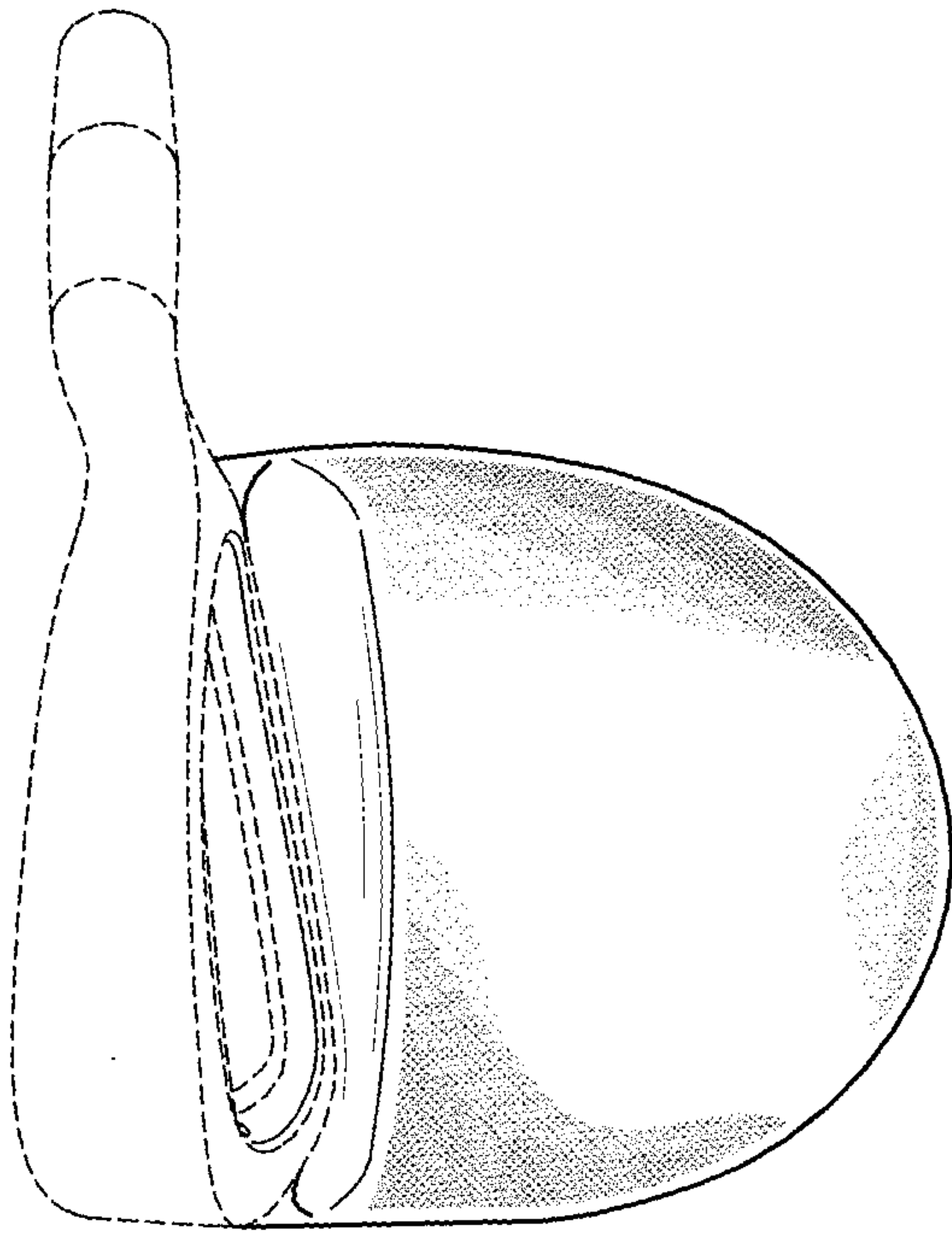
**FIG. 1**



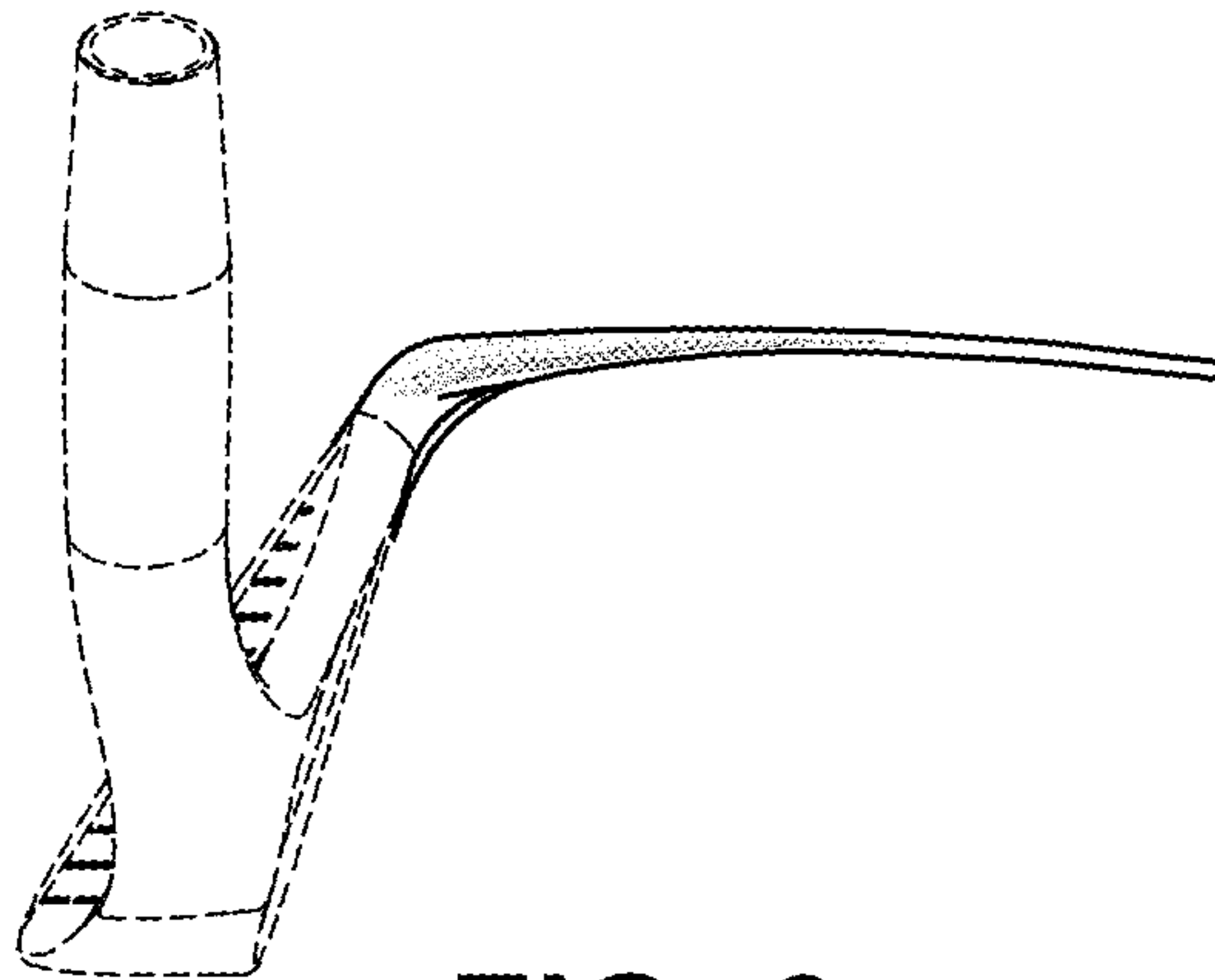
**FIG. 2**



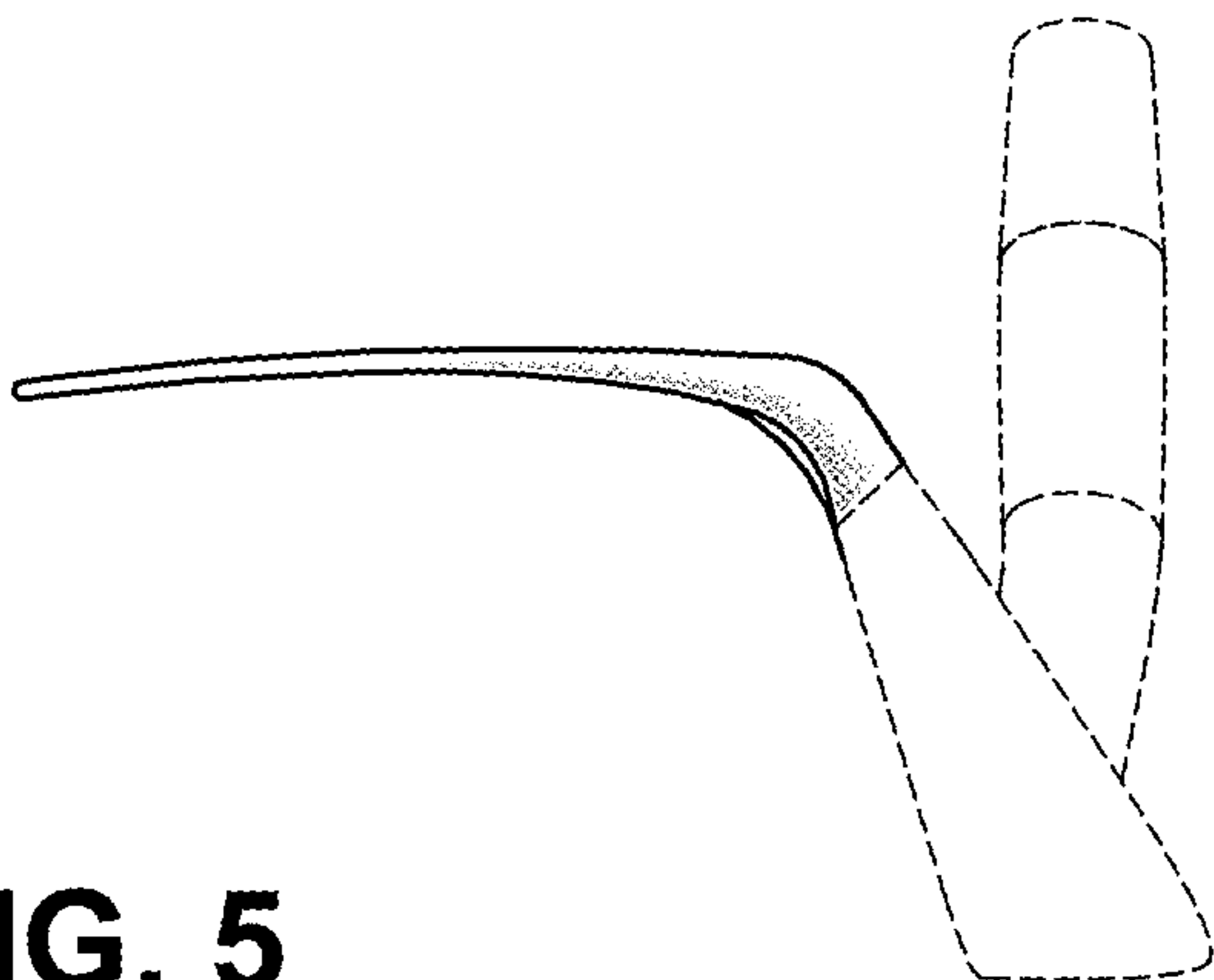
**FIG. 3**



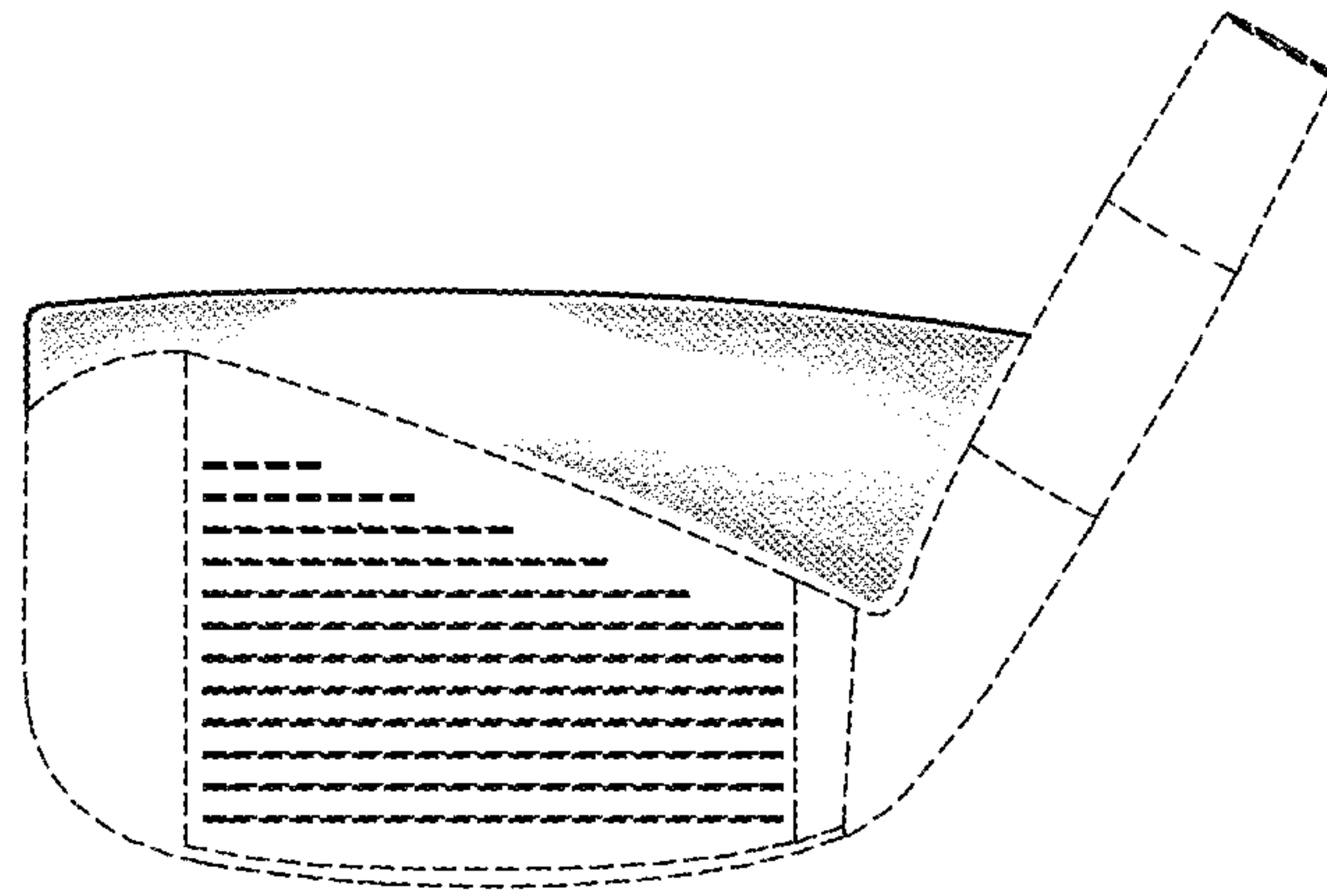
**FIG. 4**



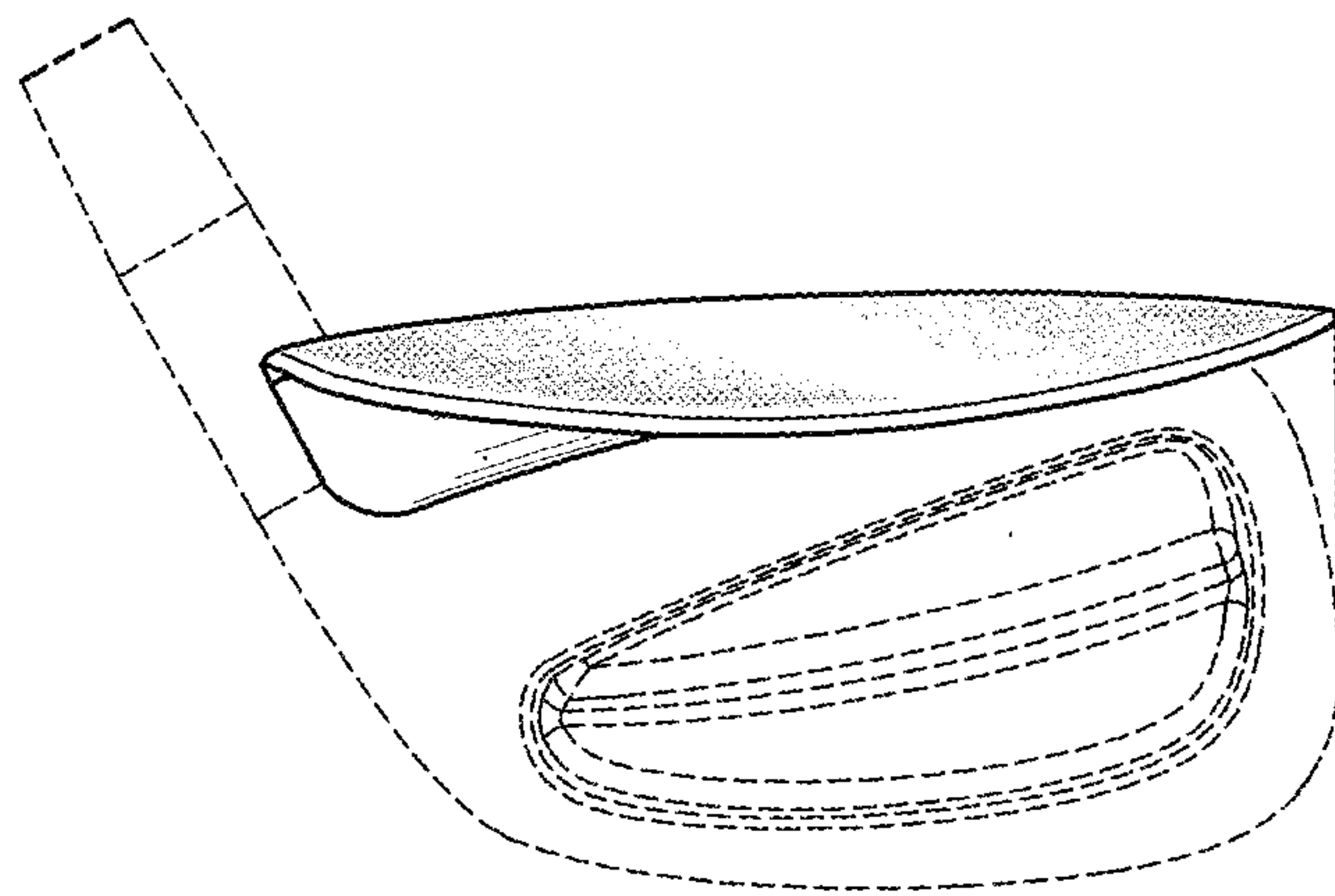
**FIG. 6**



**FIG. 5**



**FIG. 7**



**FIG. 8**