



US00D895042S

(12) **United States Design Patent**  
**Kennedy et al.**

(10) **Patent No.:** **US D895,042 S**

(45) **Date of Patent:** **\*\* Sep. 1, 2020**

(54) **LACROSSE HEAD**  
(71) Applicant: **Cascade Maverik Lacrosse, LLC**,  
Exeter, NH (US)  
(72) Inventors: **Steven Kennedy**, Niskayuna, NY (US);  
**Nicholas Colville**, Syracuse, NY (US);  
**Jesse Newman**, Liverpool, NY (US);  
**Jefferey Colburn**, Baltimore, MD (US);  
**David Williams**, Fulton, NY (US)

7,214,151 B1 \* 5/2007 Gait ..... A63B 59/20  
473/513  
7,226,374 B2 \* 6/2007 Morrow ..... B29C 45/1676  
473/505  
7,258,634 B2 \* 8/2007 Morrow ..... A63B 59/20  
473/512  
7,585,234 B2 \* 9/2009 Reeb ..... A63B 59/20  
473/513  
8,721,477 B2 \* 5/2014 Chung ..... A63B 59/20  
473/513

(Continued)

(73) Assignee: **Cascade Maverik Lacrosse, LLC**,  
Exeter, NH (US)

**OTHER PUBLICATIONS**

(\*\*) Term: **15 Years**

[No Author Listed] Warrior Lacrosse Tweet dated Apr. 3, 2015.  
<https://twitter.com/warriorlacrosse/status/584067957052936192> [last  
accessed Nov. 3, 2016].

(21) Appl. No.: **29/681,931**

(Continued)

(22) Filed: **Feb. 28, 2019**

*Primary Examiner* — Mitchell I. Siegel  
(74) *Attorney, Agent, or Firm* — Wolf, Greenfield &  
Sacks, P.C.

**Related U.S. Application Data**

(62) Division of application No. 29/629,622, filed on Dec.  
14, 2017, now Pat. No. Des. 850,549, which is a  
division of application No. 29/570,023, filed on Jul. 1,  
2016, now Pat. No. Des. 807,455.

(57) **CLAIM**

The ornamental design for a lacrosse head, as shown and  
described.

(51) **LOC (12) Cl.** ..... **21-02**

(52) **U.S. Cl.**  
USPC ..... **D21/753; D21/724**

**DESCRIPTION**

(58) **Field of Classification Search**  
USPC ..... D21/722, 724, 753  
CPC ..... A63B 59/20; A63B 60/00; A63B 60/46;  
A63B 60/50; A63B 60/52; A63B 65/12;  
A63B 65/122; A63B 65/125; A63B  
65/127

See application file for complete search history.

FIG. 1 is a top, front, left side perspective view of a lacrosse head showing our new design;  
FIG. 2 is an enlarged perspective view of the portion shown  
with the circle area identified as 2 in FIG. 1;  
FIG. 3 is an enlarged, fragmentary, bottom, rear, left side  
perspective view of a portion of FIG. 1; and,  
FIG. 4 is a top plan view of FIG. 1.

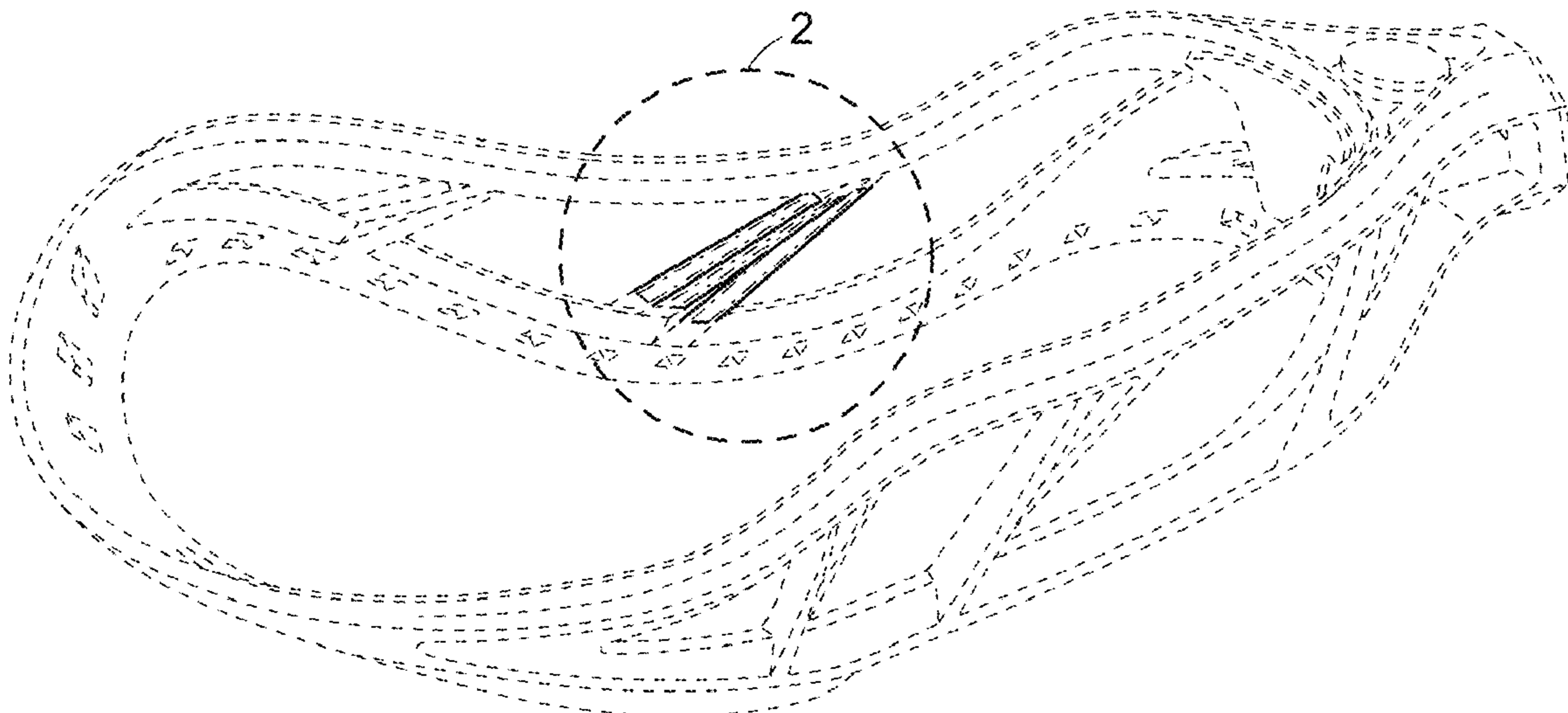
The dash-dash broken lines represent portions of the  
lacrosse head that form no part of the claimed design. The  
dot-dash broken lines represent boundaries of the claimed  
design and form no part of the claimed design.

(56) **References Cited**

**U.S. PATENT DOCUMENTS**

D297,963 S \* 10/1988 Tucker ..... D21/724  
6,923,739 B2 \* 8/2005 Gait ..... A63B 59/20  
473/513

**1 Claim, 2 Drawing Sheets**



(56)

**References Cited**

U.S. PATENT DOCUMENTS

8,727,915 B2 \* 5/2014 Lignelli ..... A63B 60/10  
473/513  
D716,881 S \* 11/2014 Gait ..... D21/724  
D733,232 S \* 6/2015 Li ..... D21/724  
D738,446 S \* 9/2015 Thompson ..... D21/724  
D741,425 S \* 10/2015 Paquette ..... D21/724  
D750,185 S \* 2/2016 Burns ..... D21/724  
D802,071 S 7/2017 Kennedy et al.  
D802,072 S 7/2017 Kennedy et al.  
D807,455 S \* 1/2018 Kennedy ..... D21/753  
D850,549 S \* 6/2019 Kennedy ..... D21/753  
2018/0001168 A1 4/2018 Kennedy et al.

OTHER PUBLICATIONS

[No Author Listed] YouTube Video. Warrior Evo4x Pattern: ECM Black. <https://www.youtube.com/watch?v=PReUROpwsgl> (.avi file; DVD enclosed) [last accessed Nov. 2, 2016].

[No Author Listed] YouTube Video. Warrior Burn Lacrosse Head. [https://www.youtube.com/watch?v=wRCK\\_tZ8g5c](https://www.youtube.com/watch?v=wRCK_tZ8g5c) (.avi file; DVD enclosed) [last accessed Nov. 2, 2016].

\* cited by examiner

FIG. 1

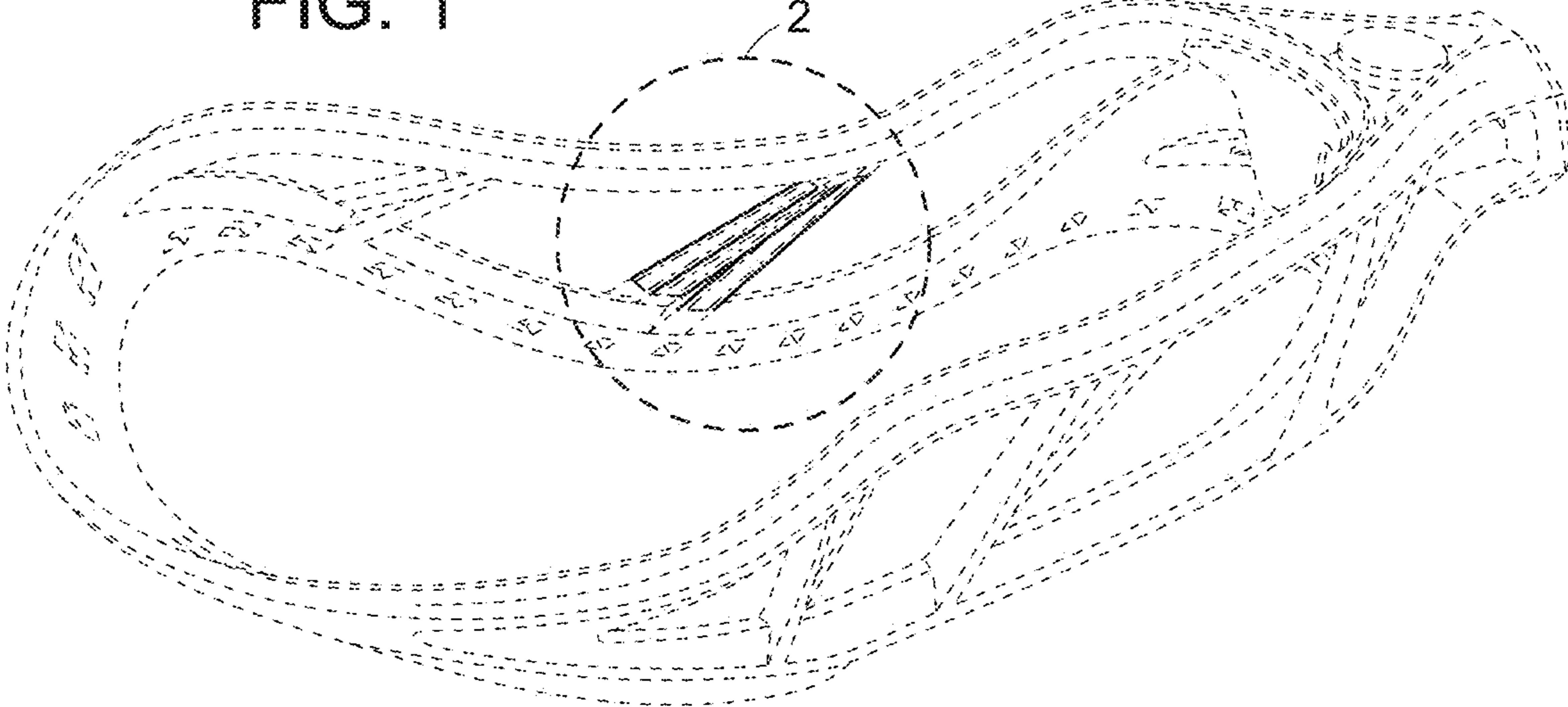


FIG. 2

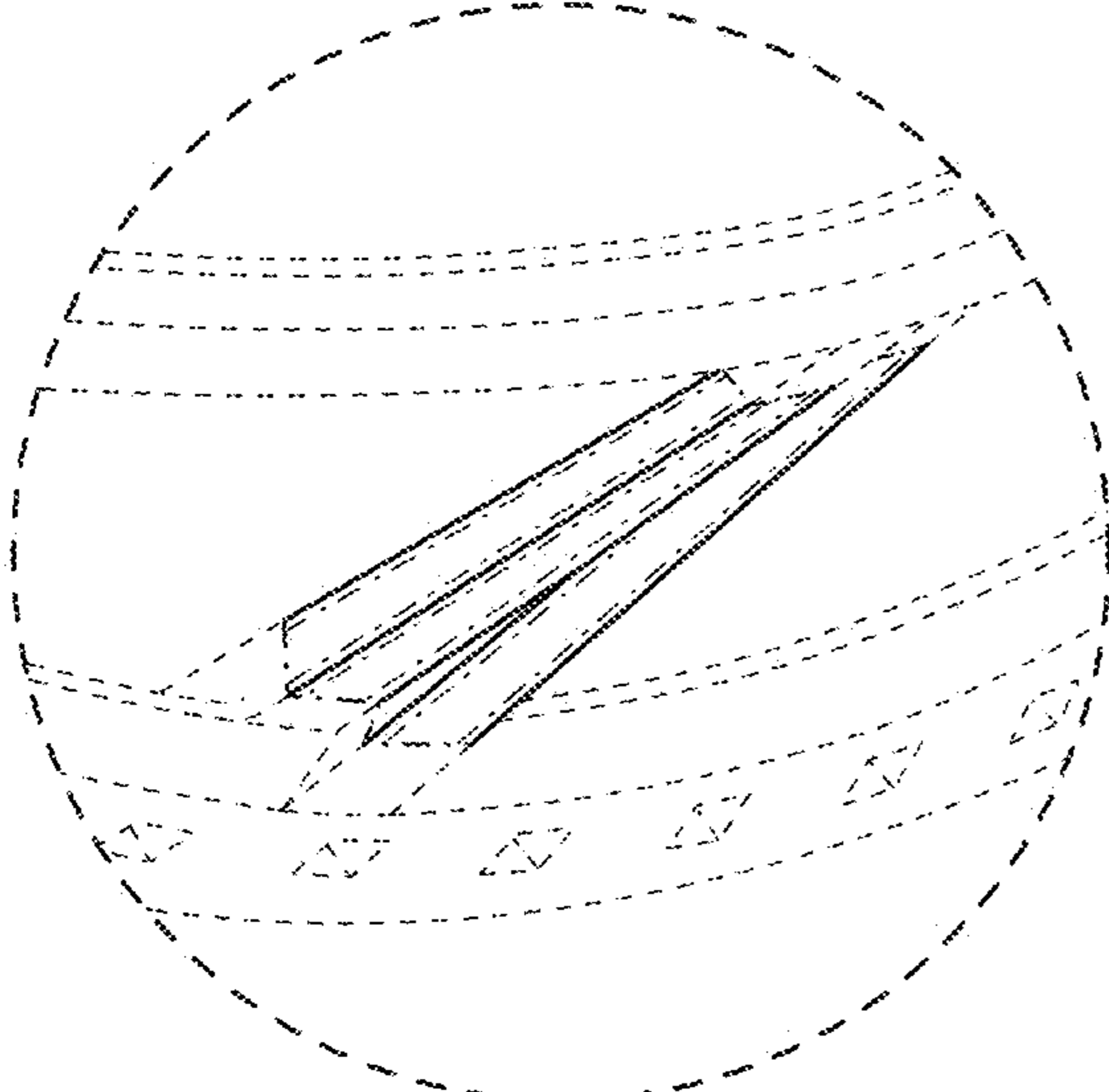
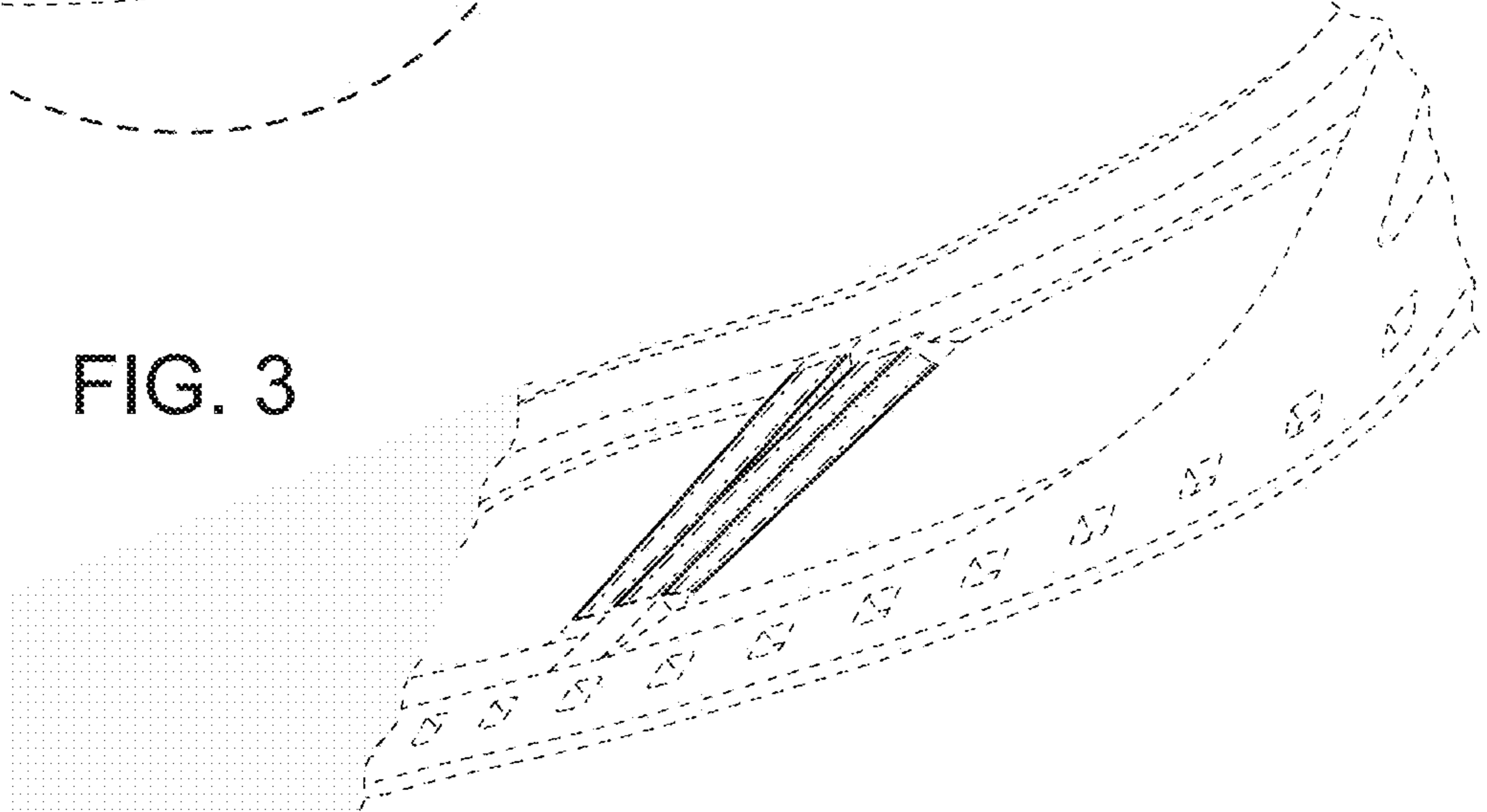


FIG. 3



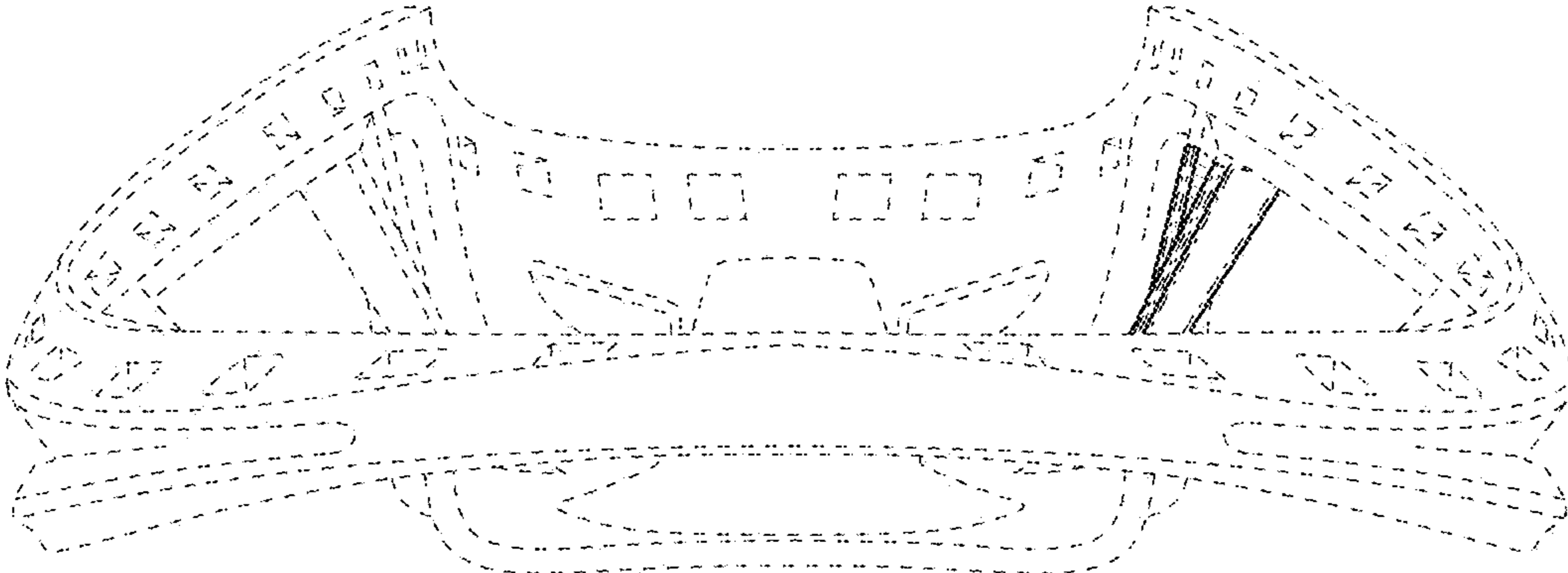


FIG. 4