



US00D895040S

(12) **United States Design Patent**
Chun et al.

(10) **Patent No.:** **US D895,040 S**

(45) **Date of Patent:** **** Sep. 1, 2020**

(54) **IRON GOLF CLUB HEAD**

(71) Applicant: **Acushnet Company**, Fairhaven, MA
(US)

(72) Inventors: **Kevin J. Chun**, Encinitas, CA (US);
Jason A. Mata, Carlsbad, CA (US)

(73) Assignee: **Acushnet Company**, Fairhaven, MA
(US)

(**) Term: **15 Years**

(21) Appl. No.: **29/682,394**

(22) Filed: **Mar. 5, 2019**

(51) **LOC (12) Cl.** **21-02**

(52) **U.S. Cl.**
USPC **D21/747**

(58) **Field of Classification Search**
USPC D21/747-751, 759
CPC A63B 53/00; A63B 53/02; A63B 53/04;
A63B 53/047; A63B 53/0475; A63B
2053/0479; A63B 2053/0483; A63B
2053/0445; A63B 60/00; A63B 60/46
See application file for complete search history.

(56) **References Cited**

U.S. PATENT DOCUMENTS

D164,596 S * 9/1951 Penna D21/751
D164,597 S * 9/1951 Penna D21/751

D526,036 S * 8/2006 Nishitani D21/747
D587,327 S * 2/2009 Ines D21/747
D647,984 S * 11/2011 Atwell D21/747
D648,409 S * 11/2011 Atwell D21/747
D681,142 S * 4/2013 Fossum D21/747
D763,375 S * 8/2016 Chun D21/747
D858,667 S * 9/2019 Marukawa D21/747

* cited by examiner

Primary Examiner — Mitchell I. Siegel

(74) *Attorney, Agent, or Firm* — Randy K. Chang

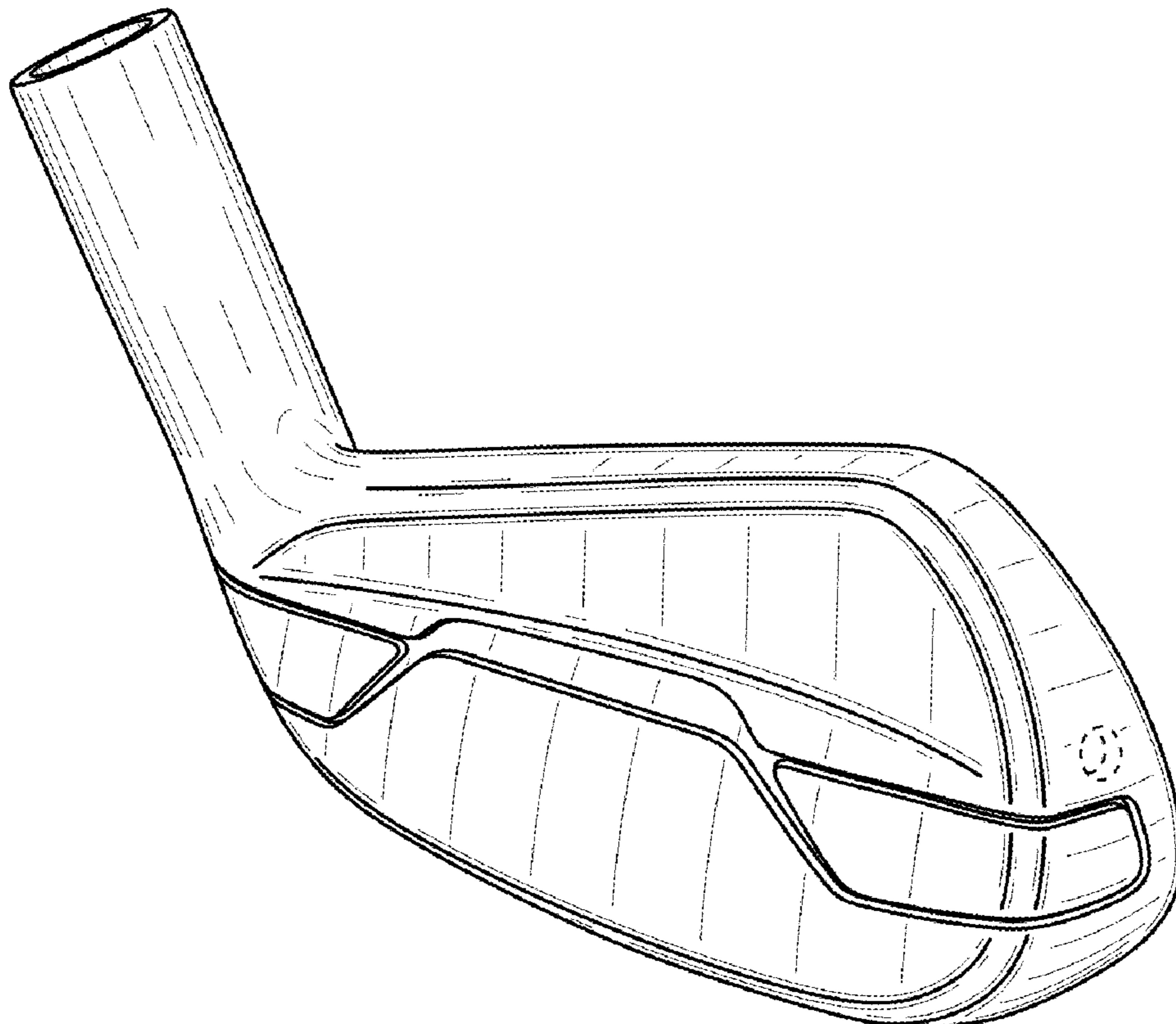
(57) **CLAIM**

The ornamental design for iron golf club head, as shown and described.

DESCRIPTION

FIG. 1 is a perspective back view of my new design for an iron golf club head;
FIG. 2 is a back view thereof;
FIG. 3 is a toe view thereof;
FIG. 4 is a heel sole view thereof;
FIG. 5 is a top view thereof;
FIG. 6 is a front view thereof; and,
FIG. 7 is a bottom sole view thereof.
The broken lines in the figures are used to illustrate the unclaimed portions of the invention and form no part of the claimed design.

1 Claim, 2 Drawing Sheets



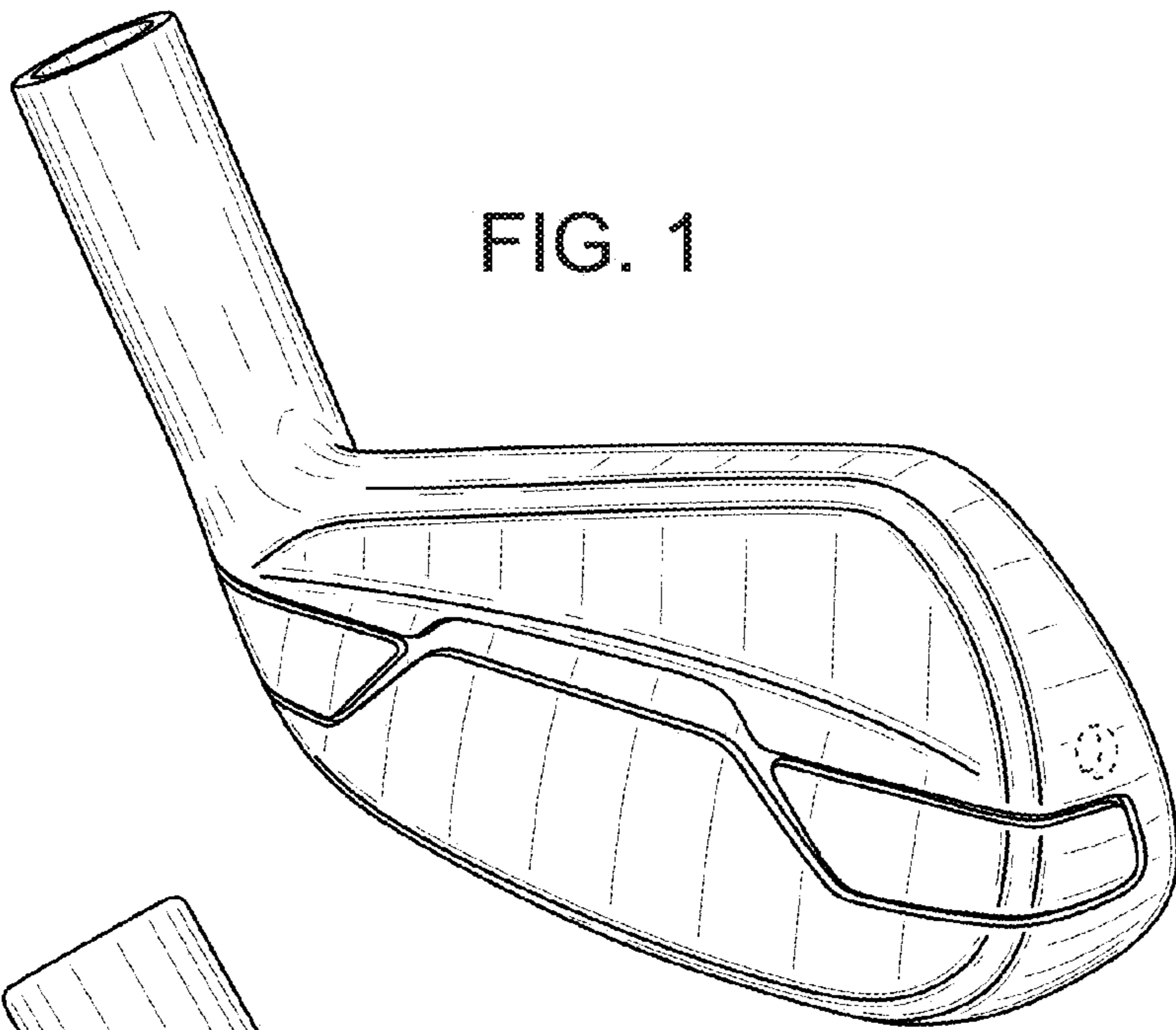


FIG. 1

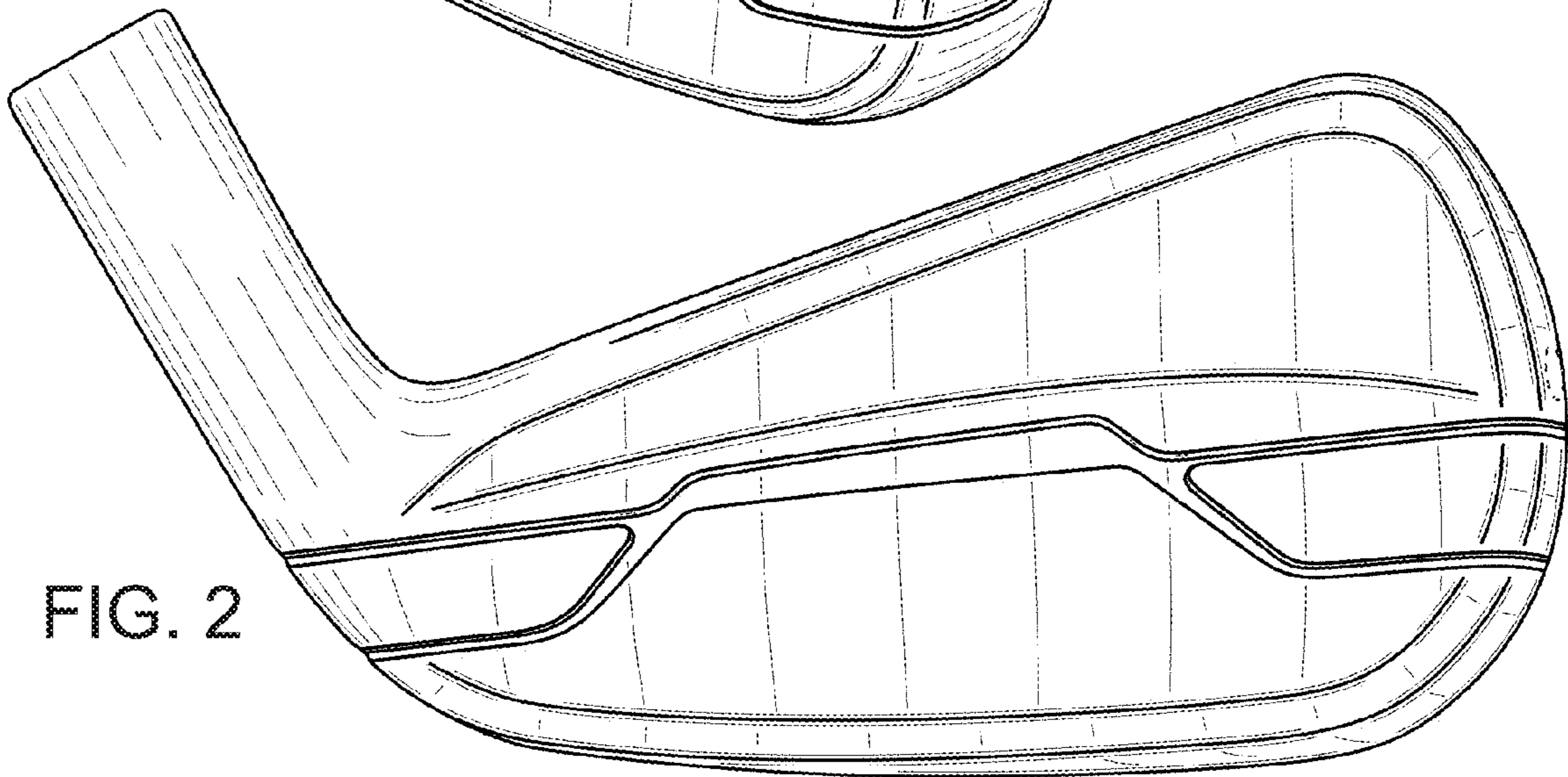


FIG. 2

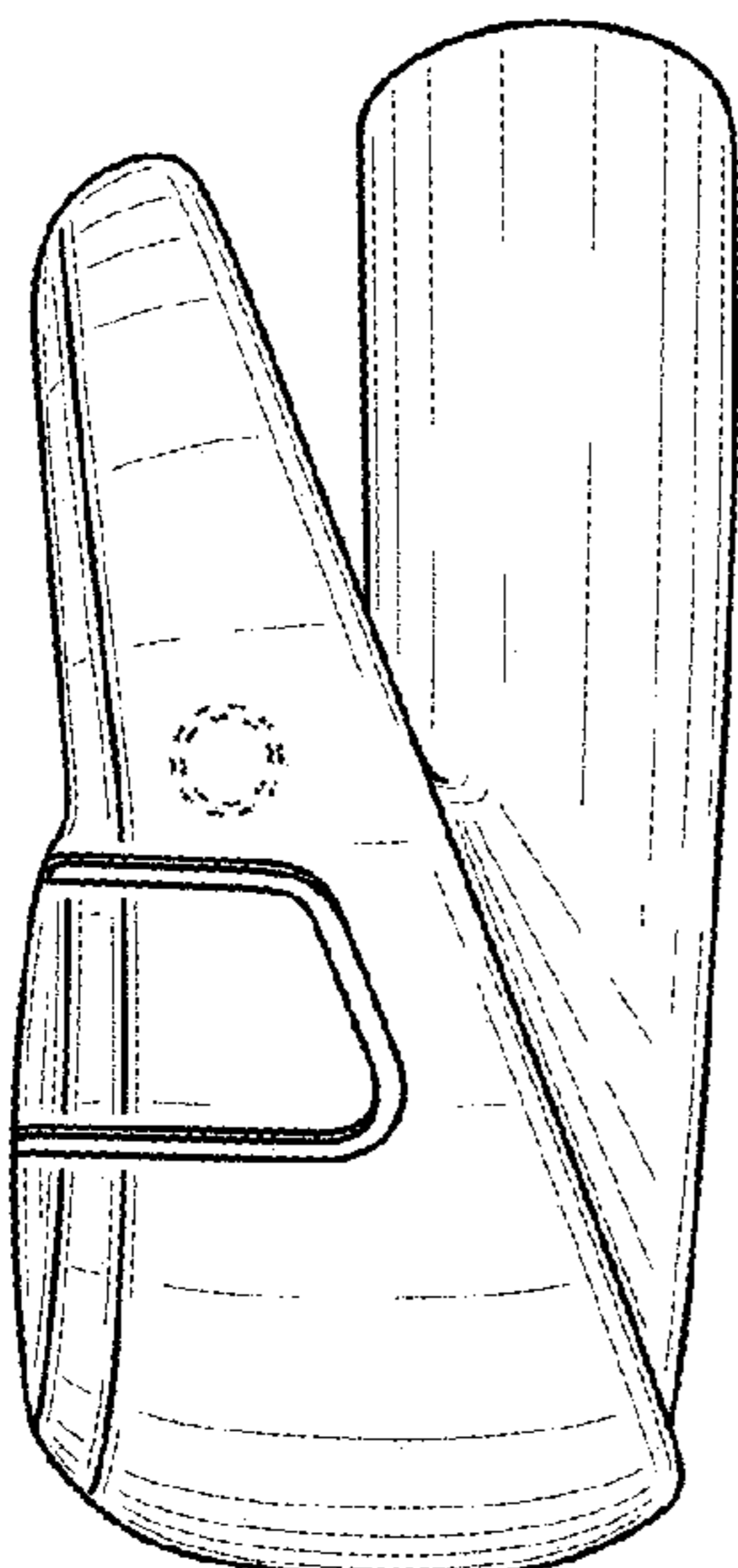
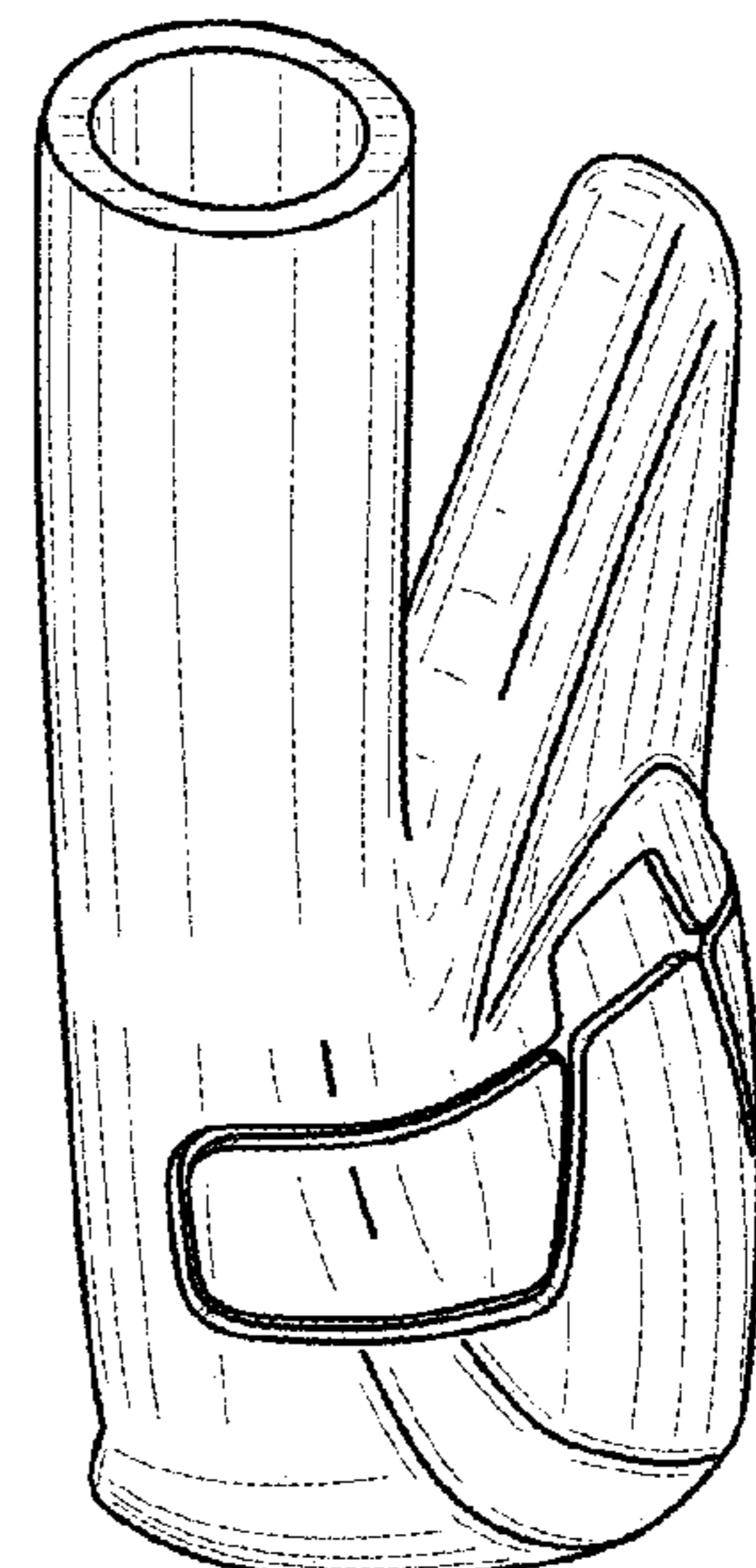


FIG. 3

FIG. 4



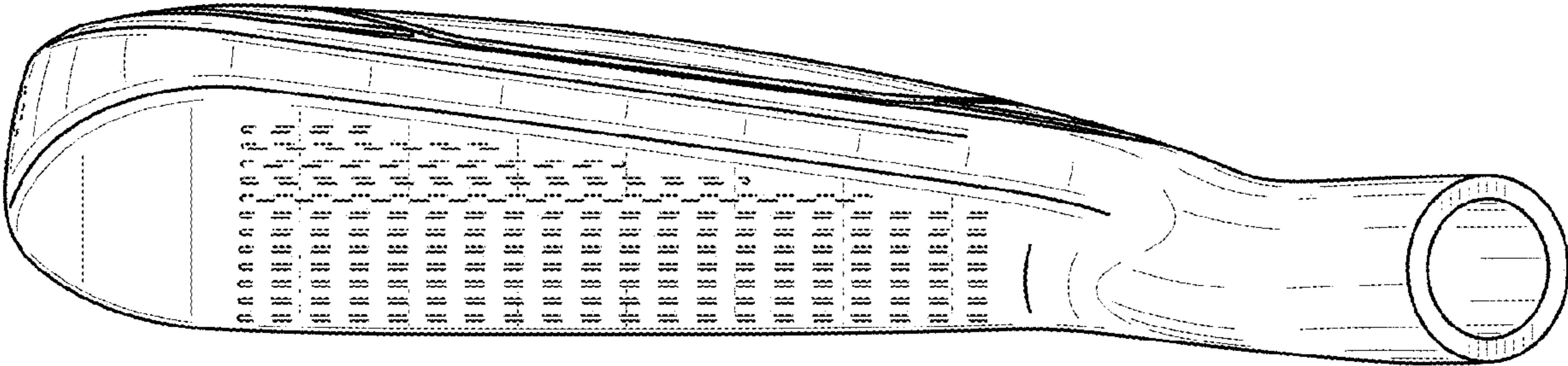


FIG. 5

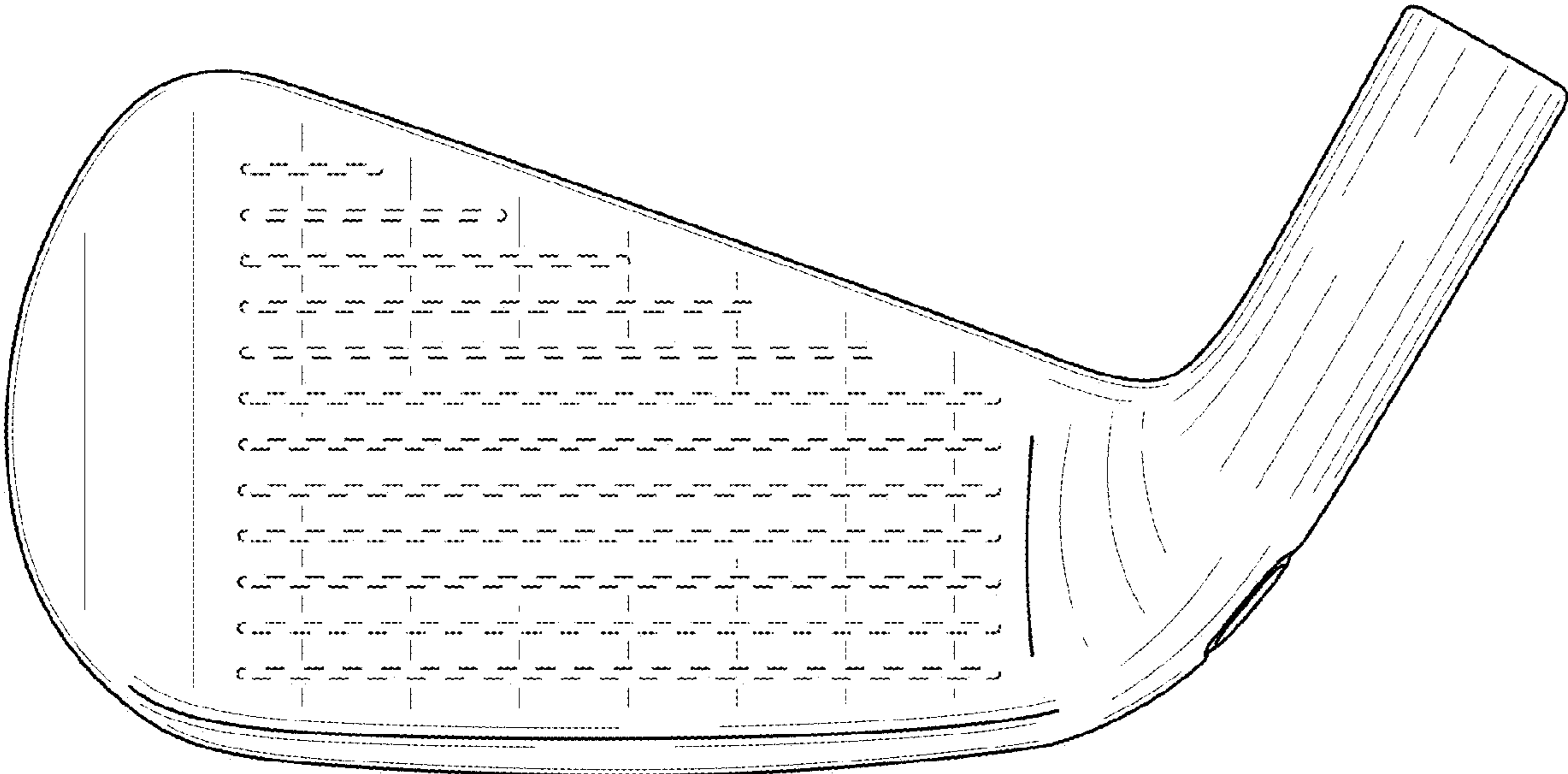


FIG. 6

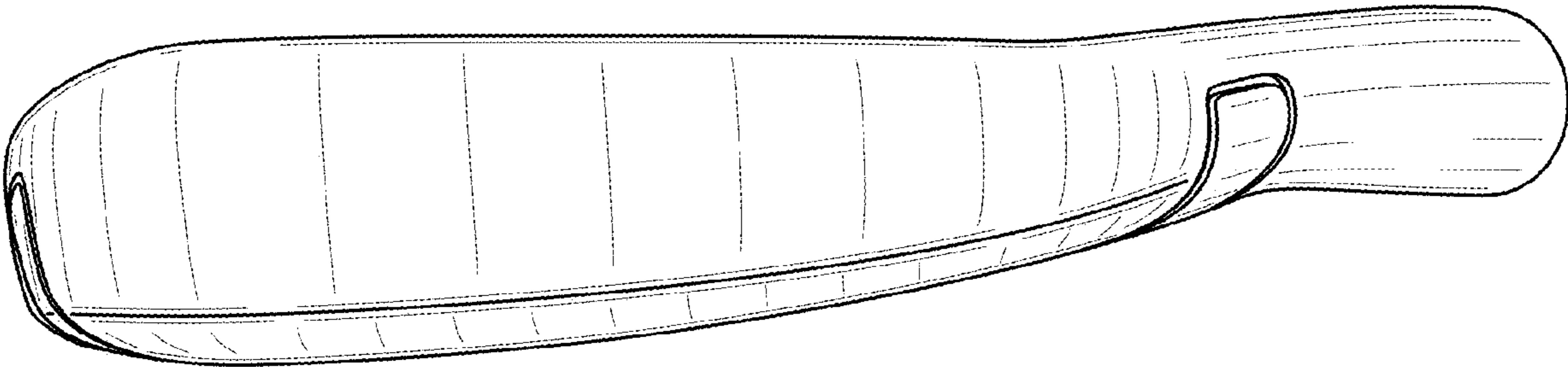


FIG. 7