



US00D895038S

(12) **United States Design Patent**
Cameron

(10) **Patent No.:** **US D895,038 S**

(45) **Date of Patent:** **** Sep. 1, 2020**

(54) **GOLF CLUB HEAD**

(71) Applicant: **Acushnet Company**, Fairhaven, MA (US)

(72) Inventor: **Don T. Cameron**, Carlsbad, CA (US)

(73) Assignee: **Acushnet Company**, Fairhaven, MA (US)

(**) Term: **15 Years**

(21) Appl. No.: **29/679,770**

(22) Filed: **Feb. 8, 2019**

(51) **LOC (12) Cl.** **21-02**

(52) **U.S. Cl.**
USPC **D21/743**

(58) **Field of Classification Search**
USPC D21/736-746, 759
CPC A63B 53/00; A63B 53/04; A63B 53/007;
A63B 53/065; A63B 53/0487; A63B
60/00; A63B 60/46
See application file for complete search history.

(56) **References Cited**

U.S. PATENT DOCUMENTS

D207,227 S *	3/1967	Solheim	D21/739
D239,951 S *	5/1976	Carrier	D21/742
D389,207 S *	1/1998	Cameron	D21/742
D438,272 S *	2/2001	Moore	D21/736
D498,276 S *	11/2004	Schweigert	D21/743
D535,712 S *	1/2007	Toroussian	D21/749
D565,677 S *	4/2008	Cameron	D21/736
D565,678 S *	4/2008	Cameron	D21/736
D583,887 S *	12/2008	Cameron	D21/743
D638,892 S *	5/2011	Hettinger	D21/743
D650,456 S *	12/2011	Tang	D21/743
D688,339 S *	8/2013	Hilton	D21/736
D689,574 S *	9/2013	Rollinson	D21/743

D702,782 S *	4/2014	Wempe	D21/743
9,033,812 B2 *	5/2015	Solheim	A63B 53/007 473/238
D784,468 S *	4/2017	Rollinson	D21/743
D792,929 S *	7/2017	Serrano	D21/743
D796,597 S *	9/2017	Serrano	D21/736
D797,220 S *	9/2017	Serrano	D21/743
D817,425 S *	5/2018	Toulon	D21/759
D818,551 S *	5/2018	Toulon	D21/759
D837,315 S *	1/2019	Rollinson	D21/743
D852,301 S *	6/2019	Serrano	D21/743
D857,135 S *	8/2019	Serrano	D21/736
D859,544 S *	9/2019	Wang	D21/736
D860,351 S *	9/2019	Rollinson	D21/743
D865,090 S *	10/2019	Rollinson	D21/743
D869,581 S *	12/2019	Aguilar	D21/743
D874,590 S *	2/2020	Lee	D21/743
10,632,351 B2 *	4/2020	Solheim	A63B 53/007

* cited by examiner

Primary Examiner — Mitchell I. Siegel

(74) *Attorney, Agent, or Firm* — Randy K. Chang

(57) **CLAIM**

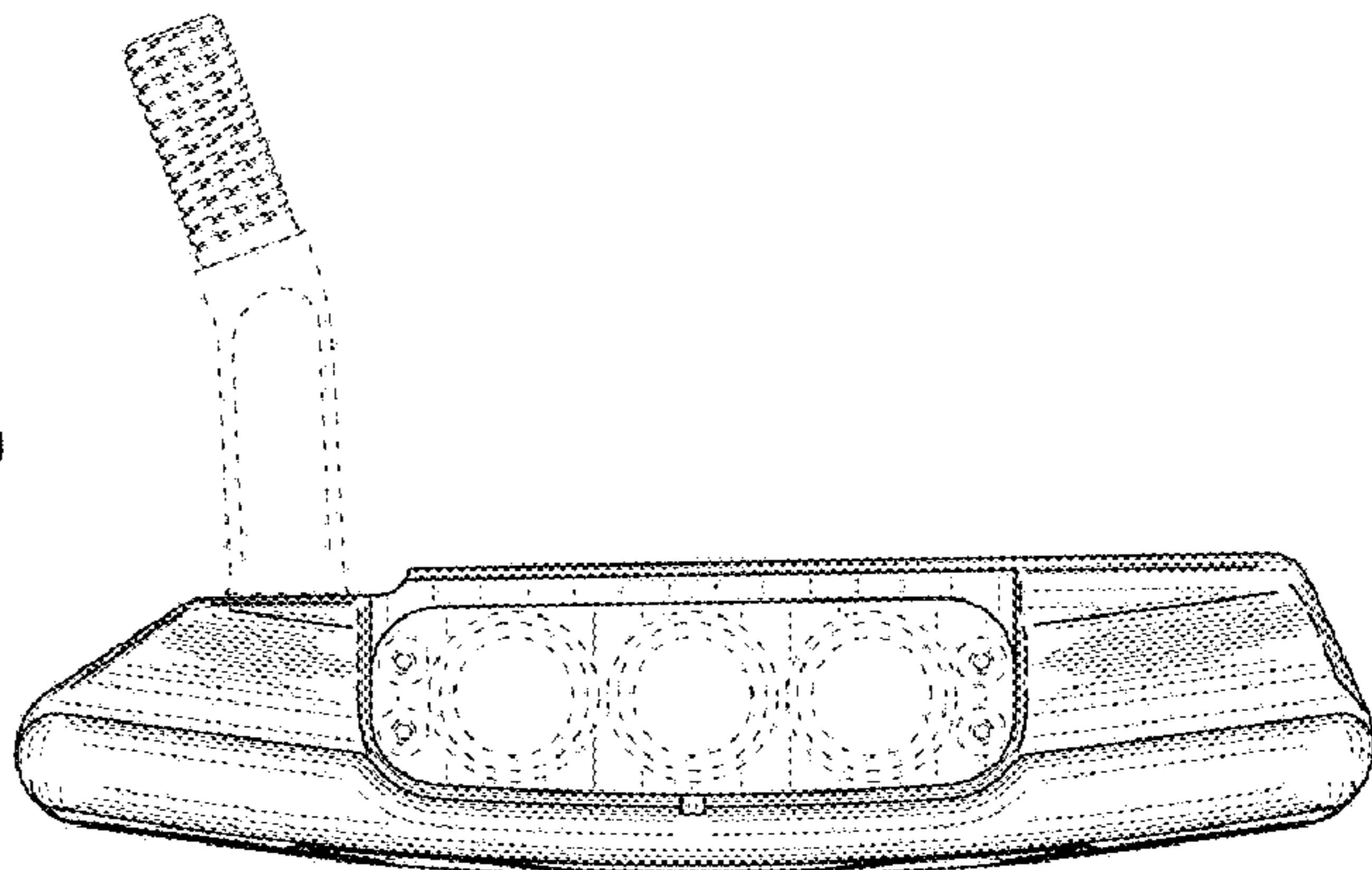
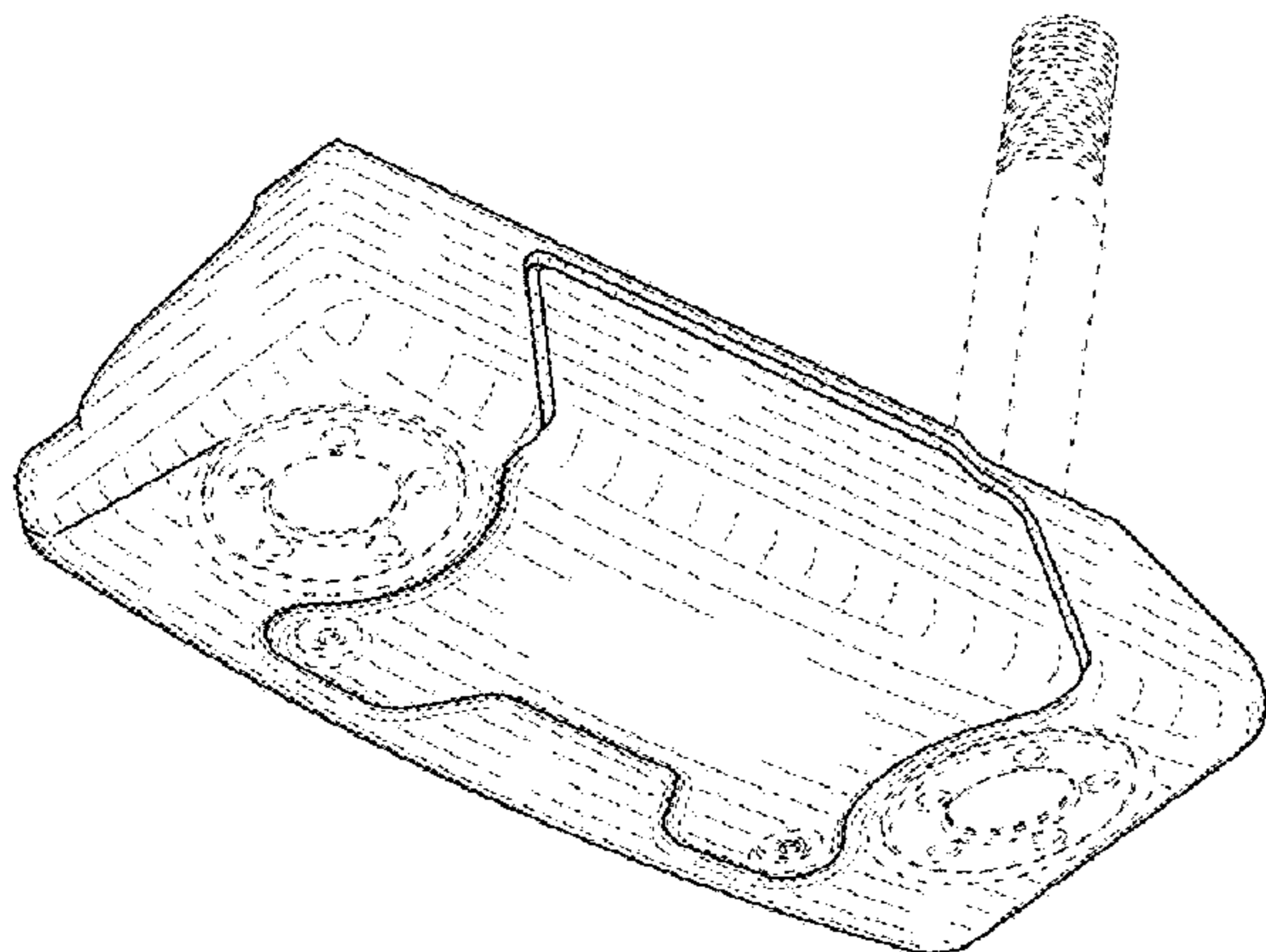
The ornamental design for golf club head, as shown and described.

DESCRIPTION

FIG. 1 is a perspective sole view of my new design for a golf club head;
FIG. 2 is a bottom sole view thereof;
FIG. 3 is a top view thereof;
FIG. 4 is a front view thereof;
FIG. 5 is a heel view thereof;
FIG. 6 is a back view thereof; and,
FIG. 7 is a toe view thereof.

The broken lines in the figures are used to illustrate the unclaimed portions of the invention and form no part of the claimed design.

1 Claim, 3 Drawing Sheets



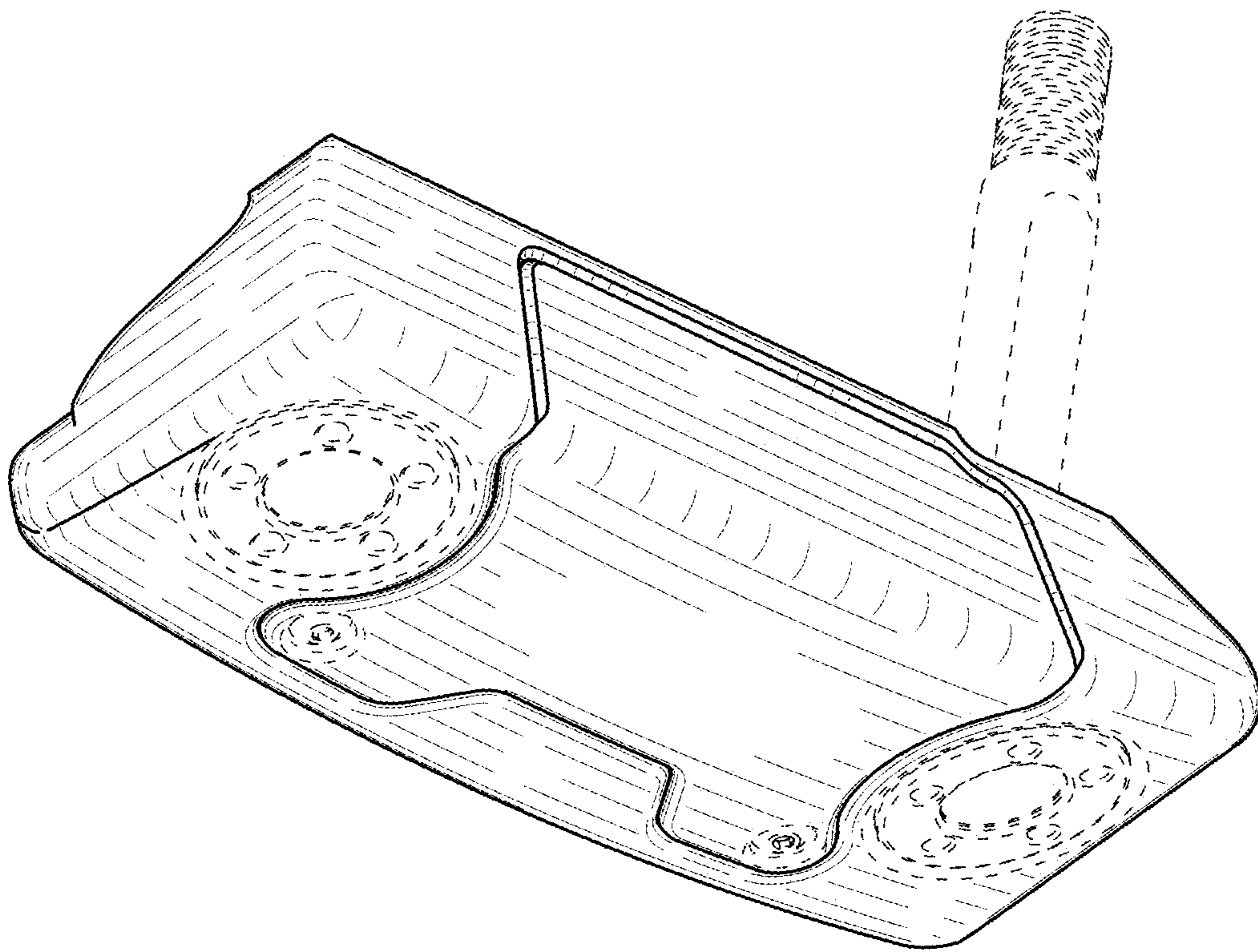


FIG. 1

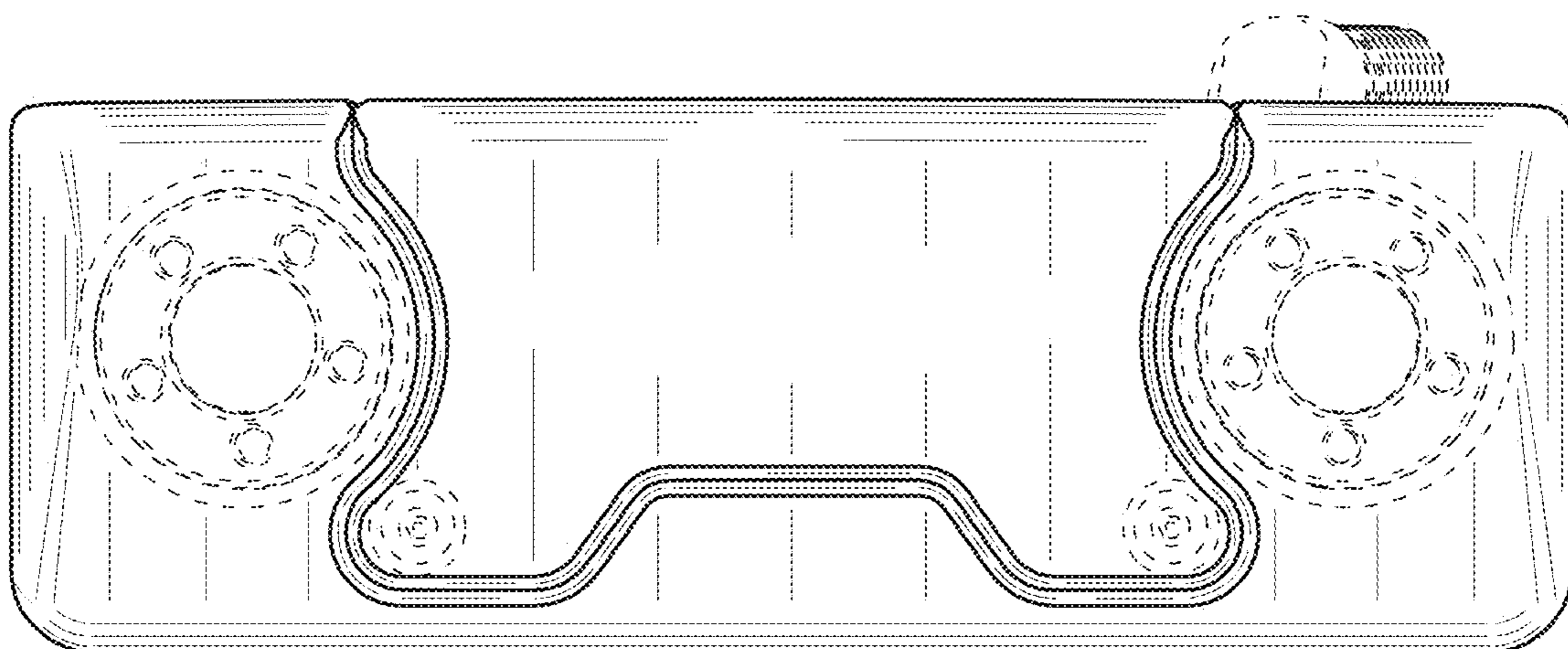


FIG. 2

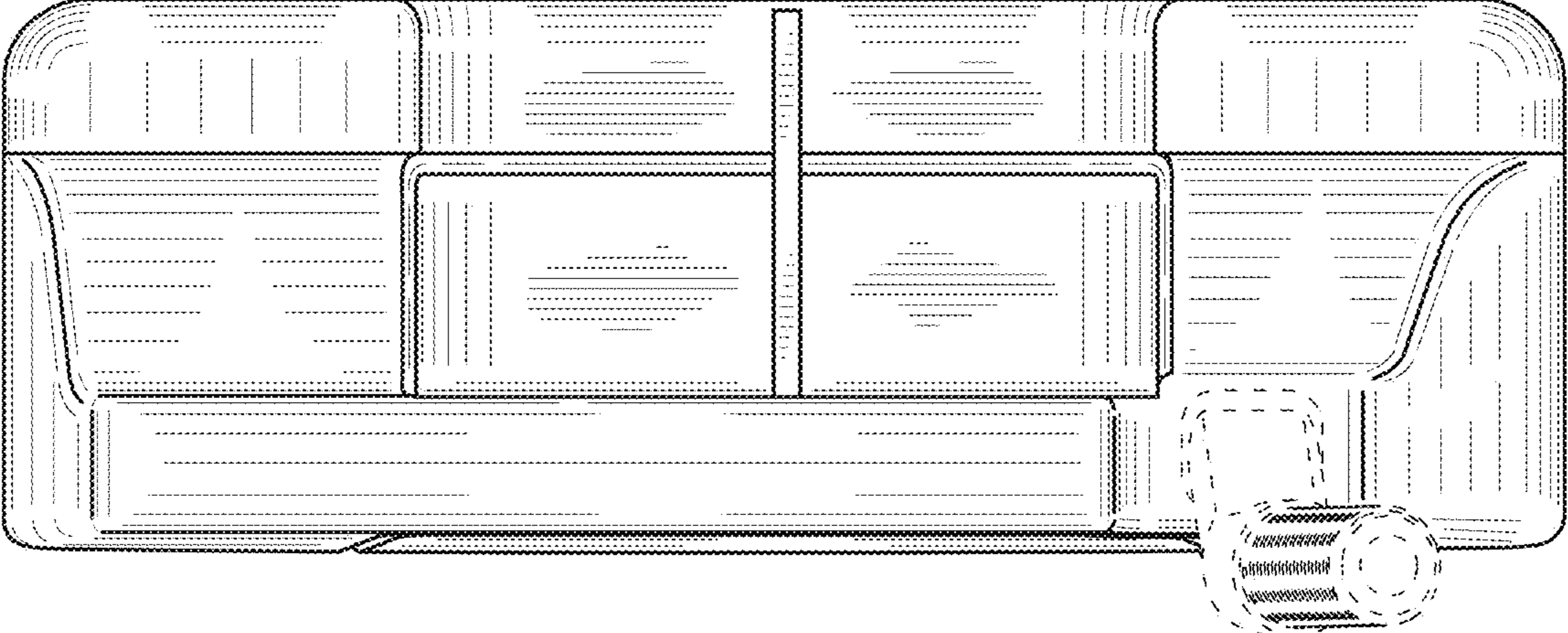


FIG. 3

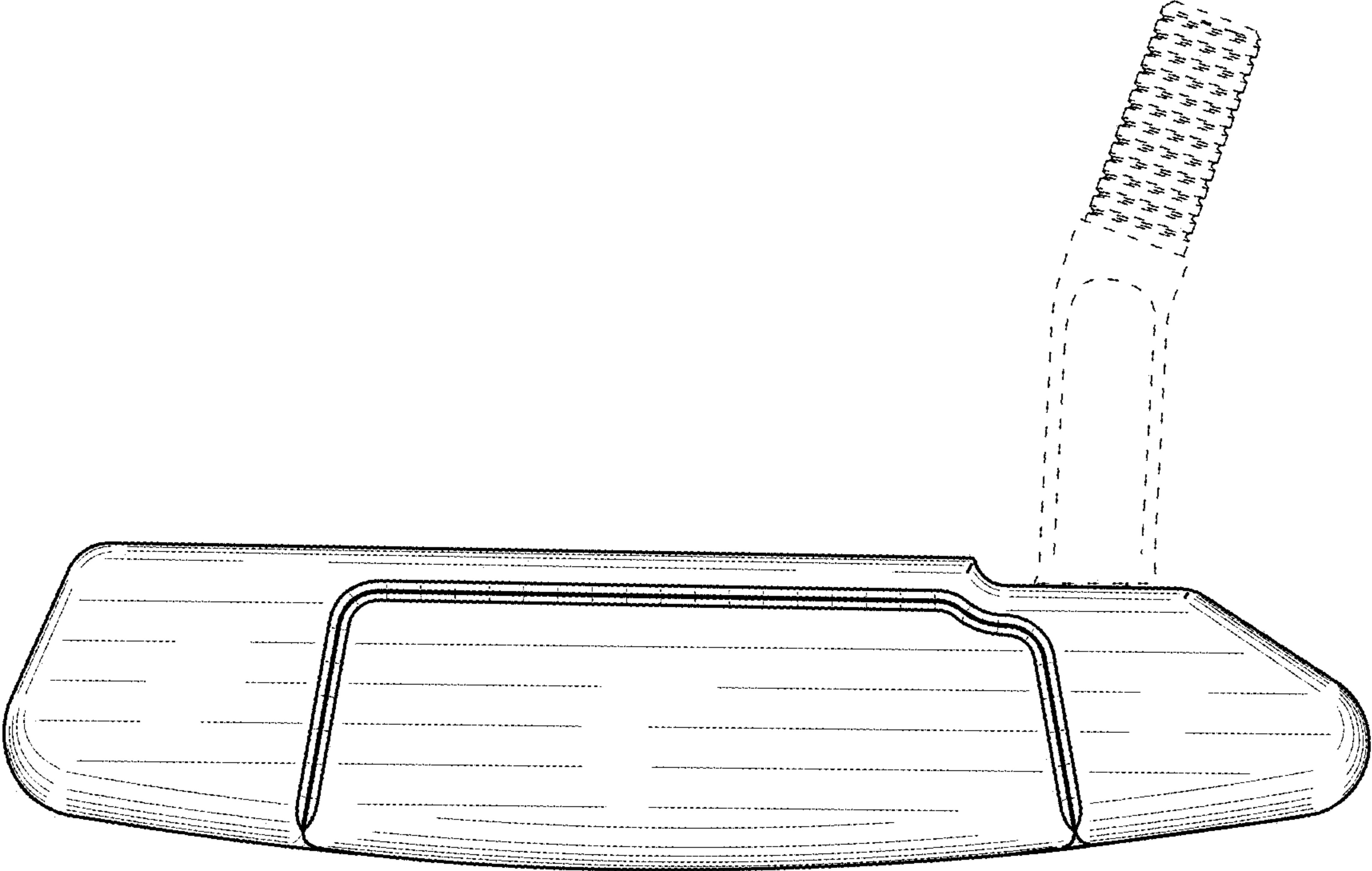


FIG. 4

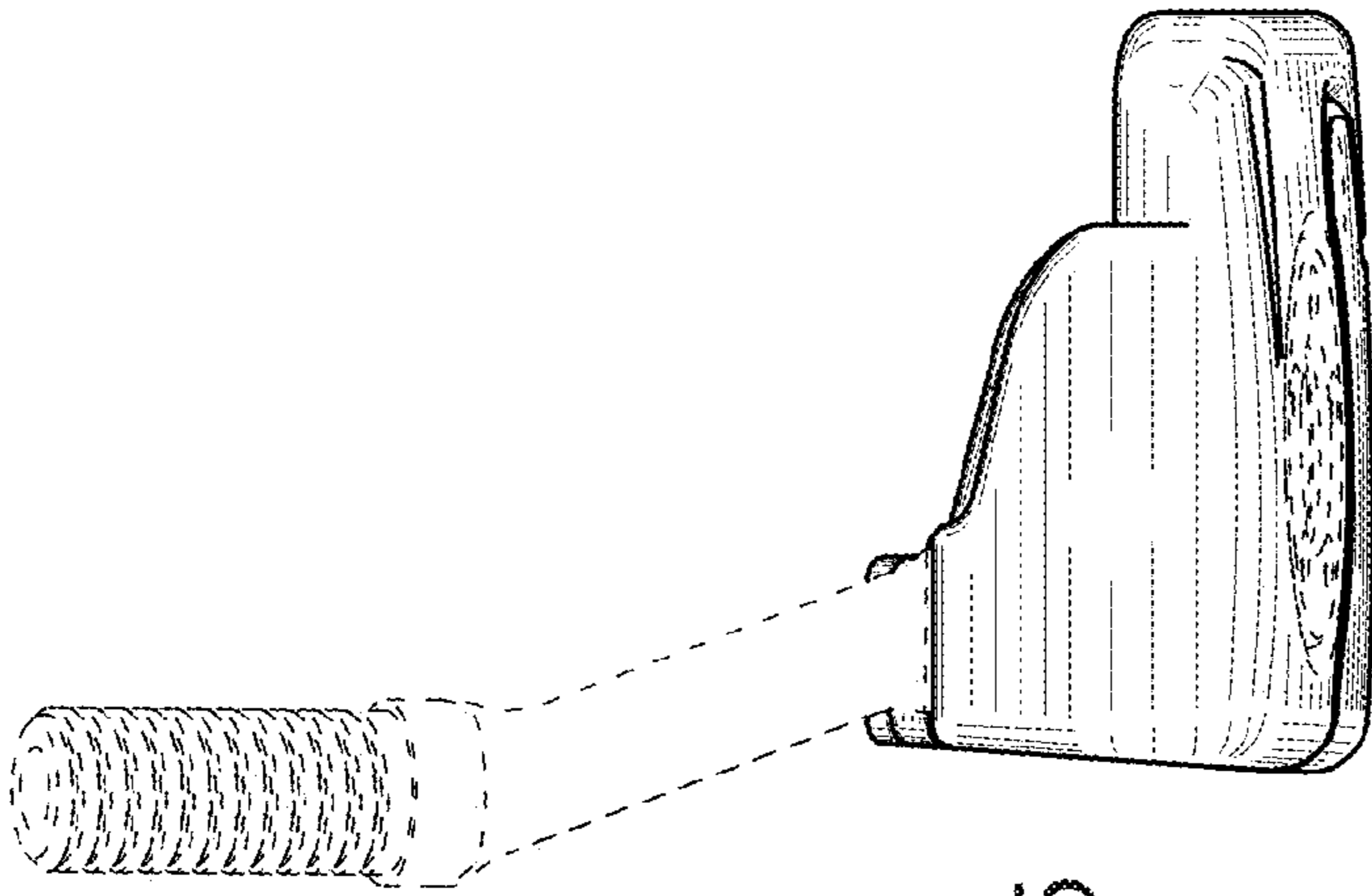


FIG. 5

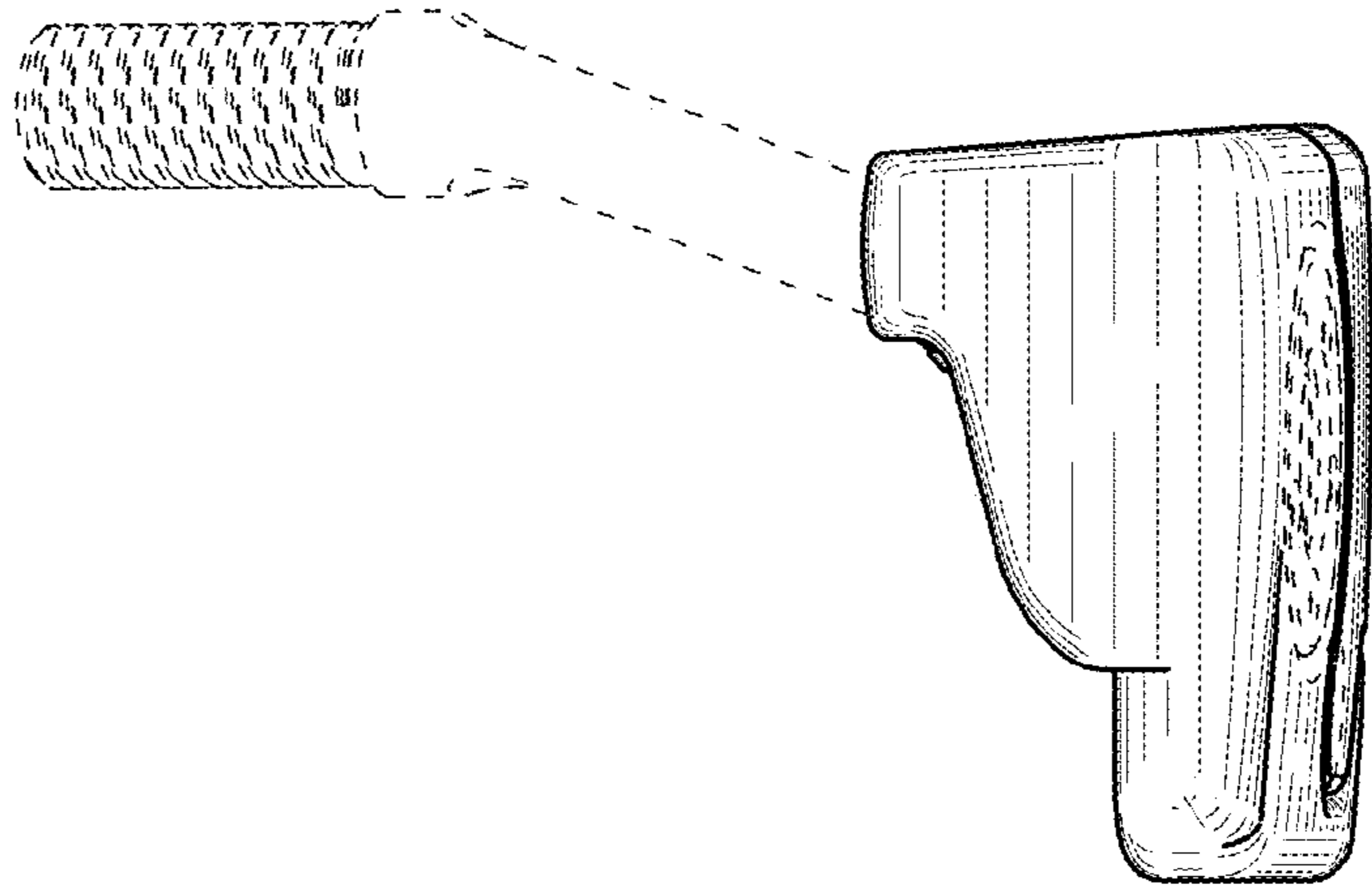


FIG. 7

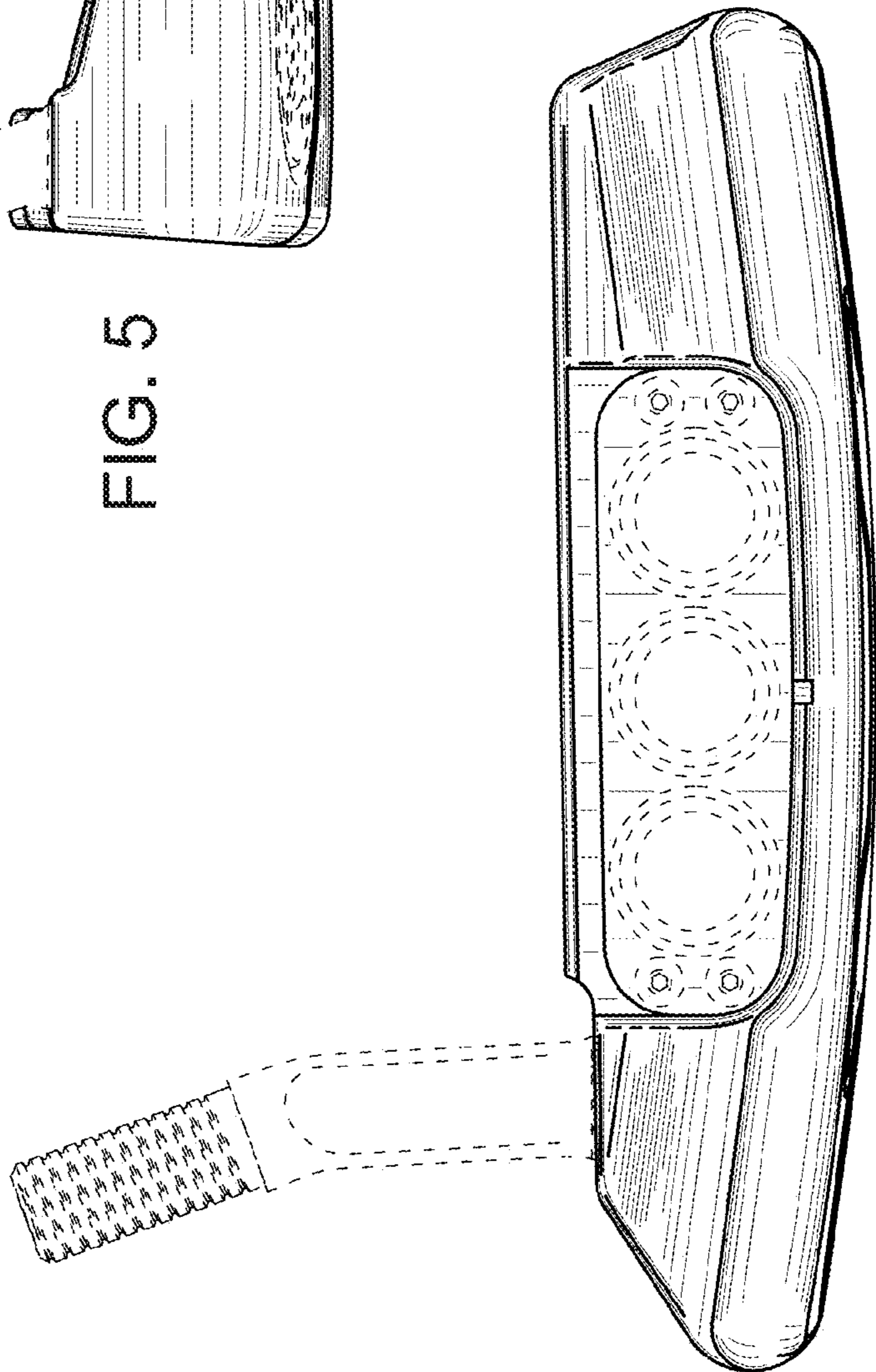


FIG. 6