



US00D895037S

(12) **United States Design Patent**
Clarke et al.

(10) **Patent No.:** **US D895,037 S**
(45) **Date of Patent:** **** Sep. 1, 2020**

(54) **GOLF CLUB HEAD**

(71) Applicant: **KARSTEN MANUFACTURING CORPORATION**, Phoenix, AZ (US)

(72) Inventors: **Jacob T. Clarke**, Phoenix, AZ (US);
David A. Higdon, Cave Creek, AZ (US)

(73) Assignee: **Karsten Manufacturing Corporation**, Phoenix, AZ (US)

(**) Term: **15 Years**

(21) Appl. No.: **29/677,179**

(22) Filed: **Jan. 17, 2019**

(51) **LOC (12) Cl.** **21-02**

(52) **U.S. Cl.**
USPC **D21/736**

(58) **Field of Classification Search**
USPC D21/736-746, 759
CPC A63B 53/00; A63B 53/04; A63B 53/007;
A63B 53/065; A63B 53/0487; A63B
60/00; A63B 60/46
See application file for complete search history.

(56) **References Cited**

U.S. PATENT DOCUMENTS

3,884,477 A	5/1975	Bianco
D235,668 S	7/1975	Swash
4,030,766 A	6/1977	Derr
D316,129 S	4/1991	Bryson
6,159,108 A	12/2000	De La Pena
6,379,259 B1	4/2002	Opie
D488,200 S	4/2004	Olsavsky et al.
D488,526 S	4/2004	Souza
D500,109 S	12/2004	Solheim

(Continued)

FOREIGN PATENT DOCUMENTS

JP 3169560 5/2001

OTHER PUBLICATIONS

Stina Sternberg, "Hot List 2008—Putters," Golf Digest Feb. 2008 at 158-169 also available at <http://golfdigest.com/equipment/ratings>, CraZ-E.

(Continued)

Primary Examiner — Mitchell I. Siegel

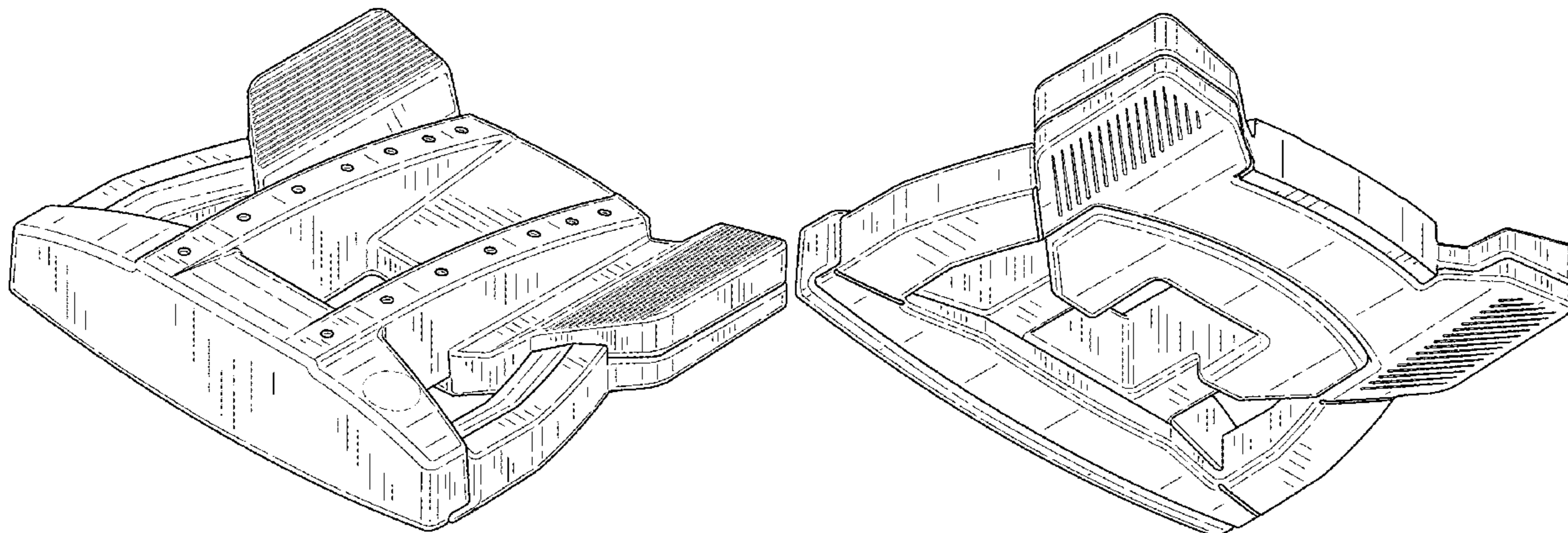
(57) **CLAIM**

The ornamental design for a golf club head, as shown and described.

DESCRIPTION

FIG. 1 is a top perspective view of a golf club head; FIG. 2 is a bottom perspective view of the golf club head of FIG. 1; FIG. 3 is a top view of the golf club head of FIG. 1; FIG. 4 is a bottom view of the golf club head of FIG. 1; FIG. 5 is a front view of the golf club head of FIG. 1; FIG. 6 is a rear view of the golf club head of FIG. 1; FIG. 7 is a heel side view of the golf club head of FIG. 1; FIG. 8 is a toe side view of the golf club head of FIG. 1; FIG. 9 is a top perspective view of another embodiment of a golf club head; FIG. 10 is a bottom perspective view of the golf club head of FIG. 9; FIG. 11 is a top view of the golf club head of FIG. 9; FIG. 12 is a bottom view of the golf club head of FIG. 9; FIG. 13 is a front view of the golf club head of FIG. 9; FIG. 14 is a rear view of the golf club head of FIG. 9; FIG. 15 is a heel side view of the golf club head of FIG. 9; and, FIG. 16 is a toe side view of the golf club head of FIG. 9. The broken line showing is included for the purpose of illustrating unclaimed subject matter and forms no part of the claimed design.

1 Claim, 10 Drawing Sheets



(56)

References Cited

U.S. PATENT DOCUMENTS

D500,110 S 12/2004 Solheim
 6,837,801 B1 1/2005 Souza
 D502,236 S 2/2005 Grace
 6,878,071 B1 4/2005 Schweigert
 6,893,355 B2 5/2005 Souza
 6,896,625 B2 5/2005 Grace
 6,902,496 B2 6/2005 Solheim
 D507,612 S 7/2005 Souza
 6,926,615 B1 8/2005 Souza
 6,960,140 B2 11/2005 Solheim
 6,966,845 B2 11/2005 Solheim
 D513,776 S 1/2006 Grace
 D520,584 S 5/2006 Karlson
 D521,582 S 5/2006 Souza
 7,048,646 B2 5/2006 Yamanaka et al.
 7,052,411 B2 5/2006 Solheim
 D522,598 S 6/2006 Solheim
 7,077,758 B2 7/2006 Rohrer
 D526,376 S 8/2006 Grace
 7,086,957 B2 8/2006 Solheim
 D527,777 S 9/2006 Solheim
 D528,177 S 9/2006 Grace
 D528,616 S 9/2006 Grace
 D529,108 S 9/2006 Stites
 D533,243 S 12/2006 Fife, Jr.
 7,163,469 B2 1/2007 Bonneau
 7,235,021 B2 6/2007 Solheim
 D548,295 S 8/2007 Jertson
 7,255,650 B2 8/2007 Bryant
 D552,197 S 10/2007 Wells et al.
 D565,137 S 3/2008 Oldknow
 7,354,356 B2 4/2008 Yamanaka et al.
 D569,462 S 5/2008 Rollinson
 7,374,497 B2 5/2008 Brown
 7,438,648 B2 10/2008 Wahl et al.
 D581,473 S 11/2008 Thomas
 D583,003 S 12/2008 Solheim
 D587,325 S 2/2009 Solheim
 D594,073 S 6/2009 Kadoya
 D595,370 S * 6/2009 Ines D21/736
 D600,295 S * 9/2009 Meeks D21/744
 D600,760 S 9/2009 Serrano
 D600,761 S 9/2009 Solheim
 D600,762 S 9/2009 Serrano
 7,601,076 B2 10/2009 Rollinson
 D606,139 S * 12/2009 Ines D21/736
 D607,950 S 1/2010 Souza

D621,458 S 8/2010 Serrano
 D621,460 S 8/2010 Serrano
 D621,461 S 8/2010 Serrano
 D621,462 S 8/2010 Serrano
 D621,891 S 8/2010 Serrano
 D623,710 S 9/2010 Hilton et al.
 7,803,066 B2 9/2010 Solheim
 D625,764 S 10/2010 Hilton et al.
 7,815,520 B2 10/2010 Frame et al.
 D638,891 S 5/2011 Nicolette
 D643,080 S 8/2011 Serrano
 D643,485 S 8/2011 Nicolette
 D643,486 S 8/2011 Serrano
 D643,487 S 8/2011 Serrano
 7,993,215 B1 8/2011 Rentz
 D632,748 S 9/2011 Serrano et al.
 D645,104 S 9/2011 Nicolette et al.
 8,100,779 B2 1/2012 Solheim
 D653,718 S 2/2012 Stokke
 8,109,838 B2 2/2012 Solheim
 D664,617 S 7/2012 Serrano
 8,641,556 B2 2/2014 Kuan et al.
 D715,388 S 10/2014 Serrano
 9,144,717 B2 9/2015 Franklin et al.
 D783,745 S * 4/2017 Chen D21/743
 9,694,259 B2 7/2017 Trahan et al.
 D800,855 S * 10/2017 Rollinson D21/742
 D801,458 S * 10/2017 Rollinson D21/742
 9,782,645 B2 10/2017 Dolezel
 D821,511 S * 6/2018 Dolezel D21/742
 D824,462 S * 7/2018 Bruschi D21/736
 10,029,160 B2 7/2018 Stites et al.
 D835,217 S * 12/2018 Nicolette D21/736
 D837,911 S * 1/2019 Bruschi D21/736
 D844,085 S * 3/2019 Nicolette D21/743
 D844,723 S * 4/2019 Nicolette D21/743
 D859,545 S * 9/2019 Long D21/736
 D877,831 S * 3/2020 Cameron D21/736
 2006/0094533 A1 5/2006 Warren et al.
 2007/0191135 A1 8/2007 Nilsson et al.
 2007/0293346 A1 12/2007 Rollinson et al.
 2010/0227704 A1 9/2010 Souza et al.

OTHER PUBLICATIONS

Stina Sternberg, "Hot List 2008—Putters," Golf Digest Feb. 2008 at 158-169 also available at <http://golfdigest.com/equipment/ratings>, Profound Putter.

* cited by examiner

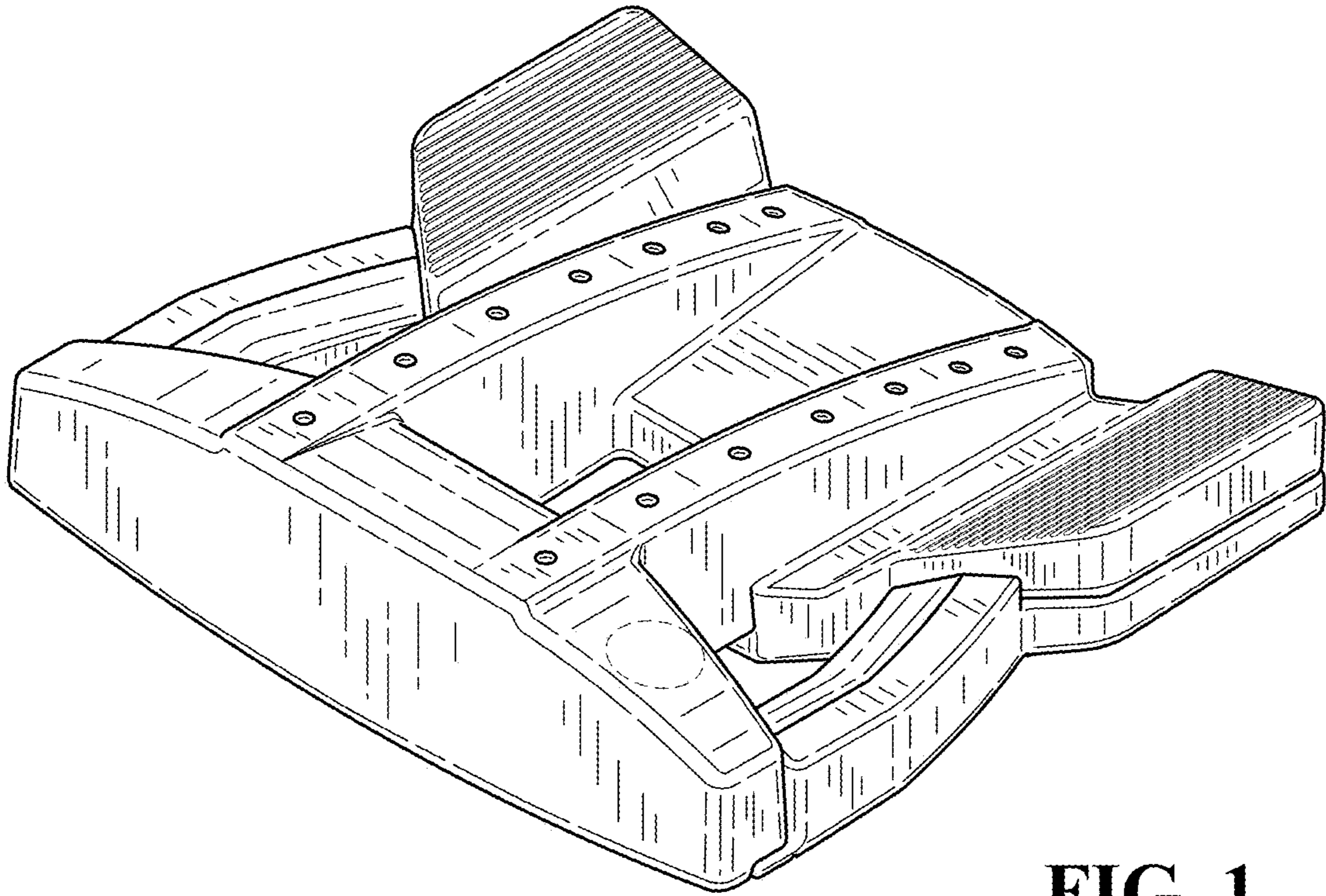


FIG. 1

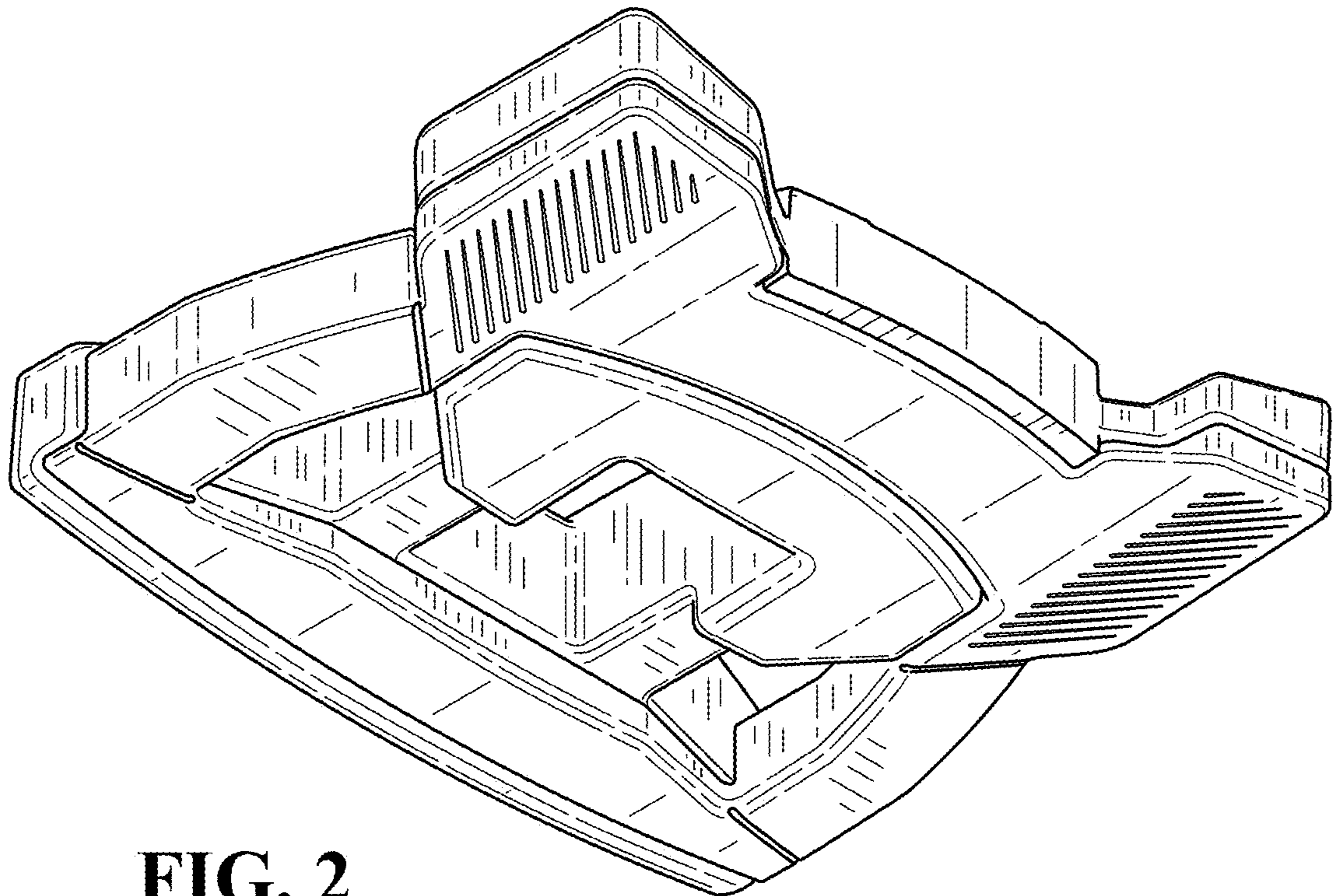


FIG. 2

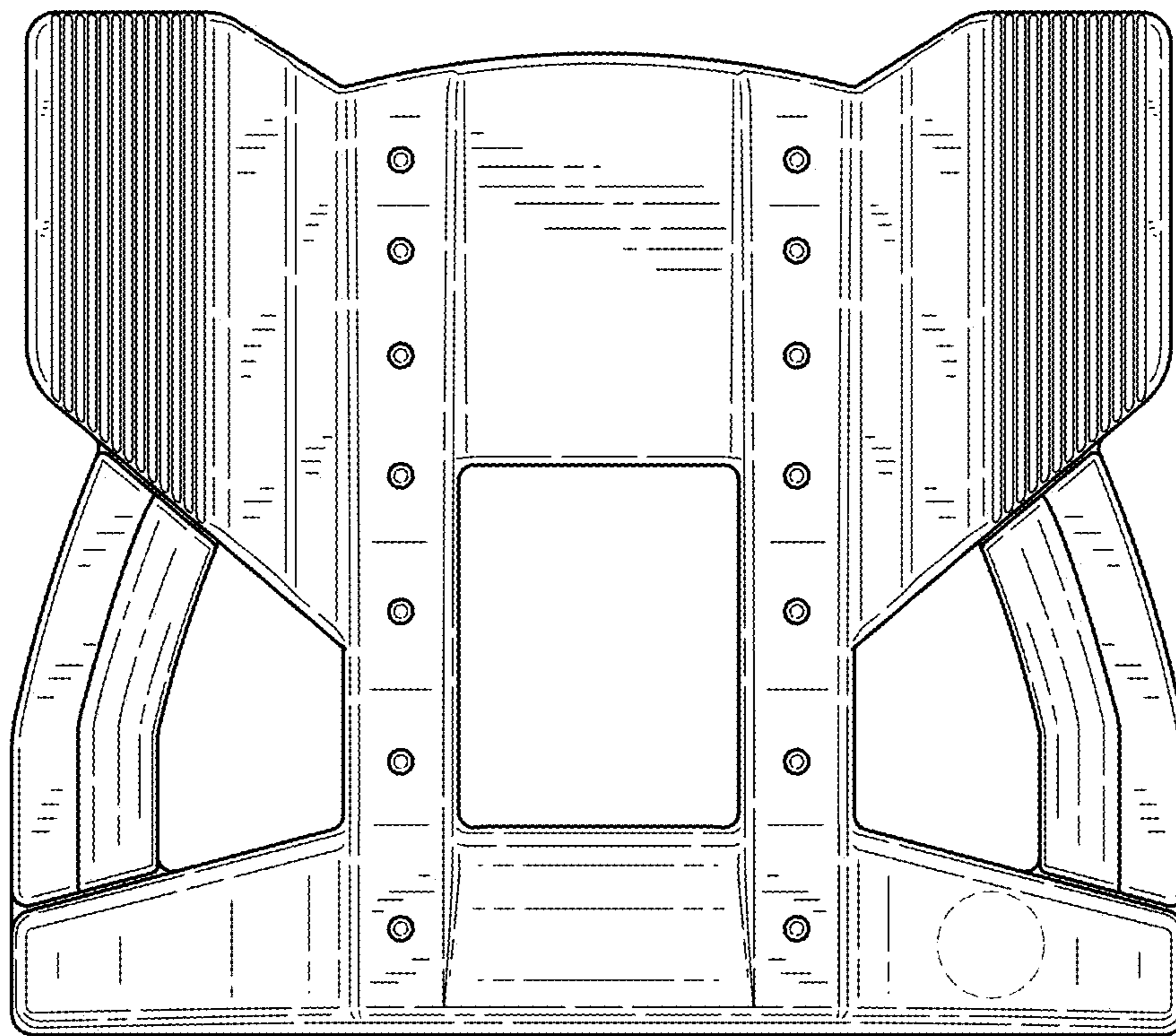


FIG. 3

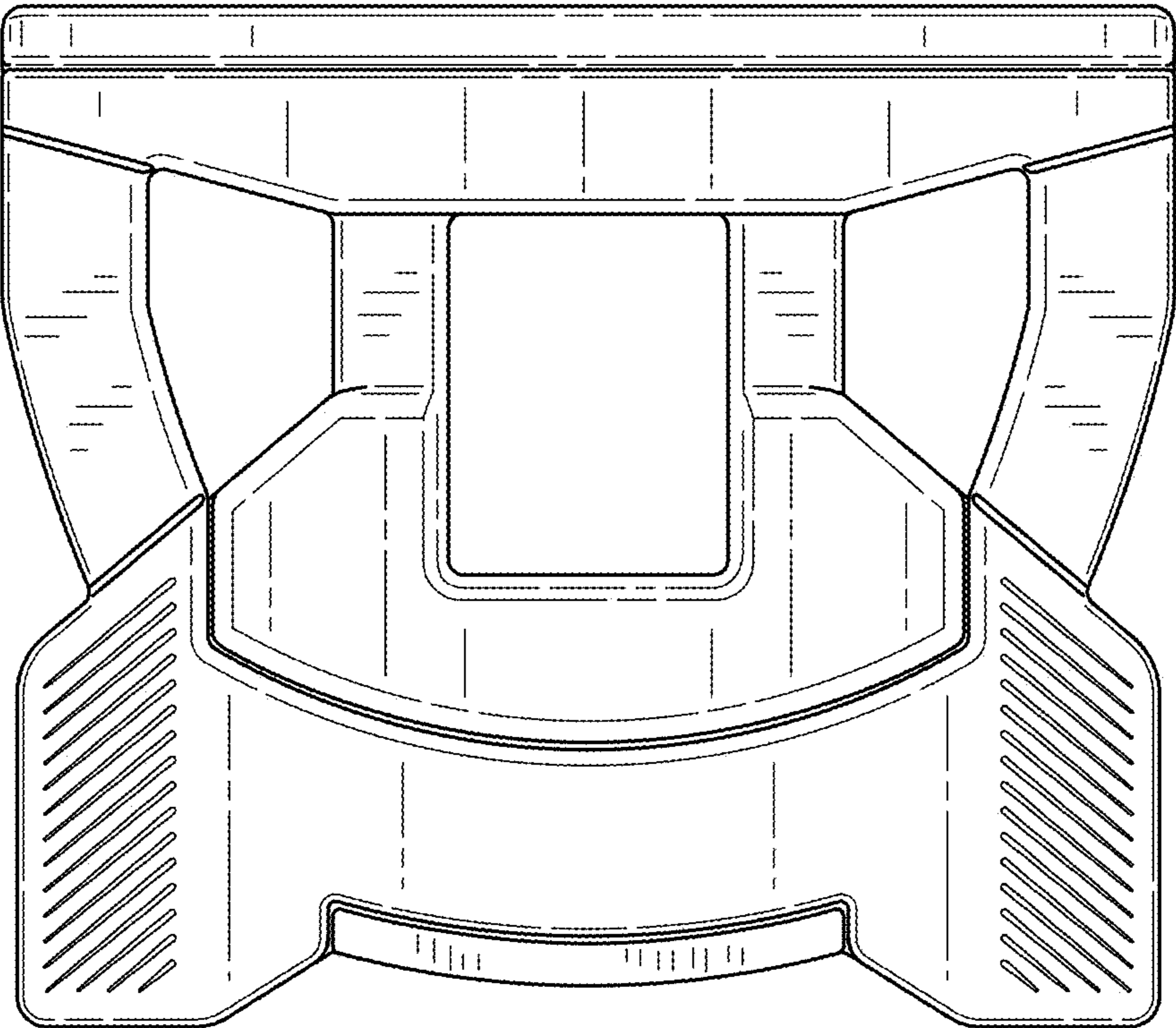


FIG. 4

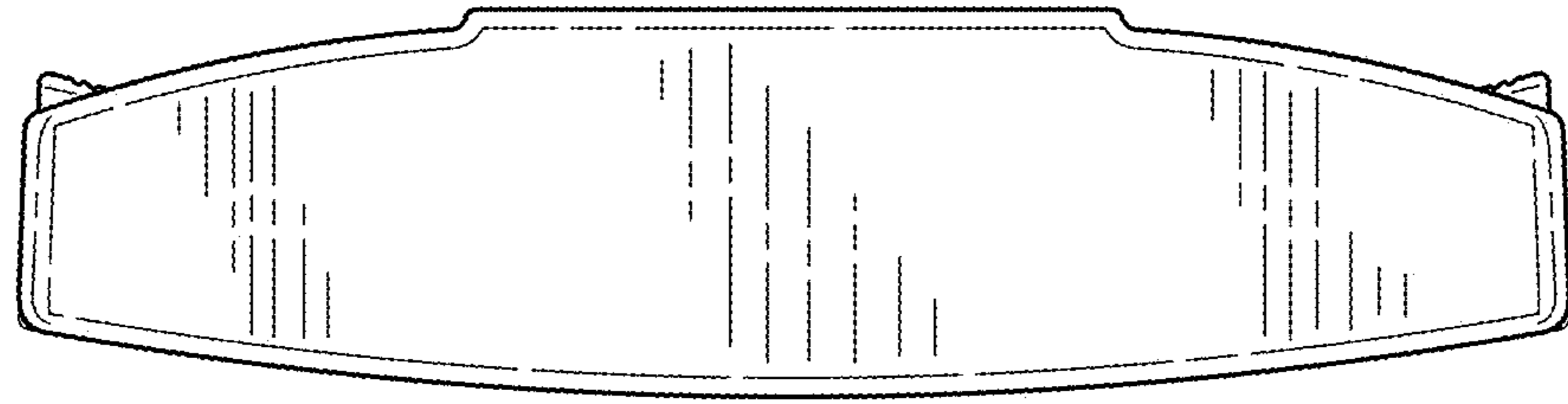


FIG. 5

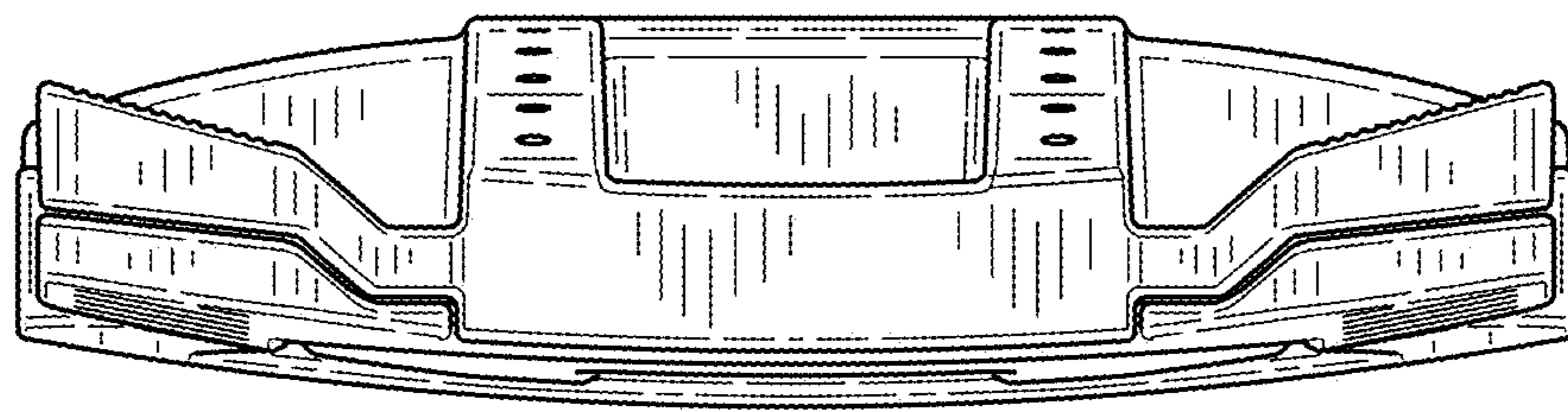


FIG. 6

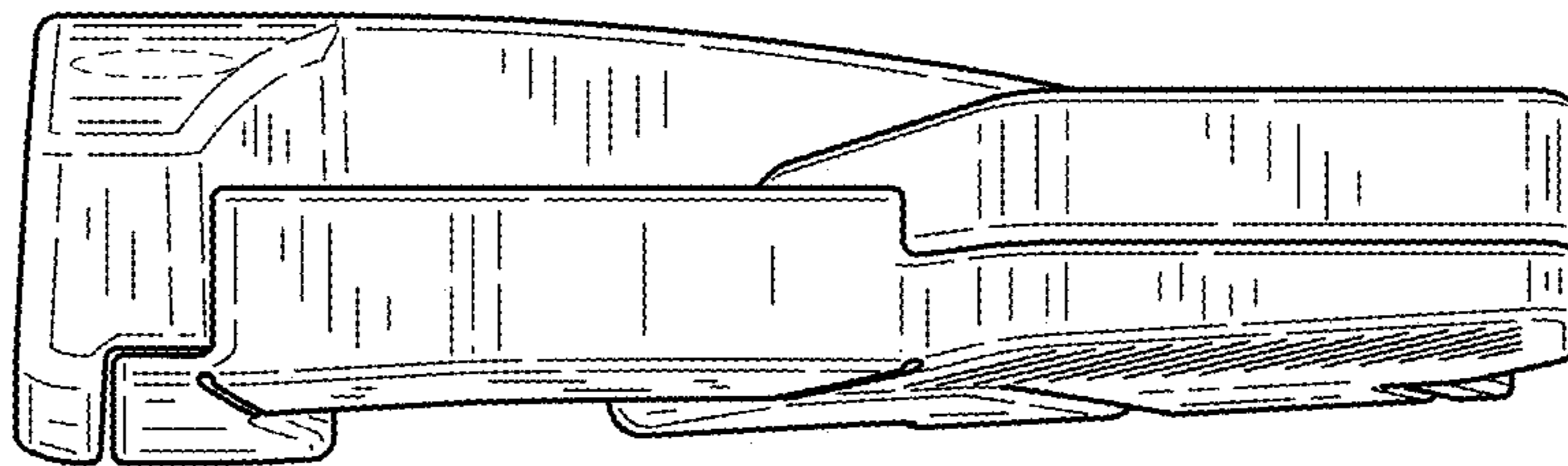


FIG. 7

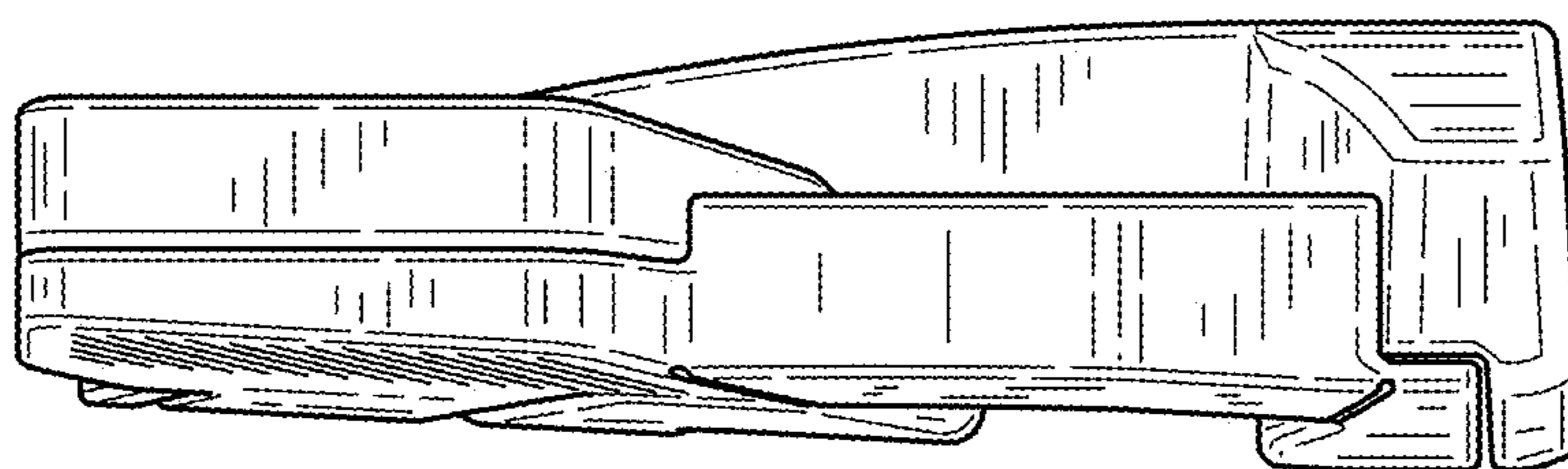


FIG. 8

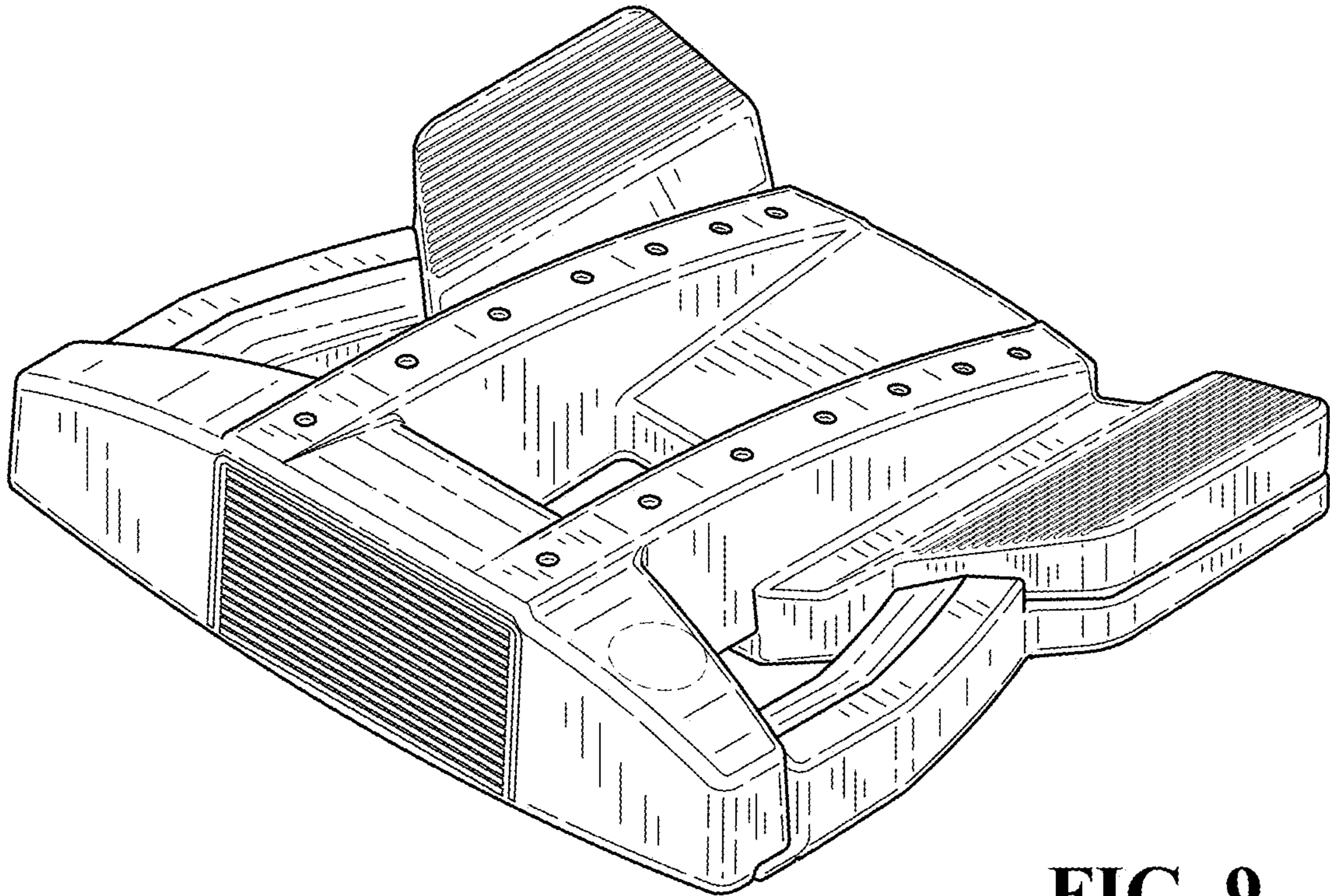


FIG. 9

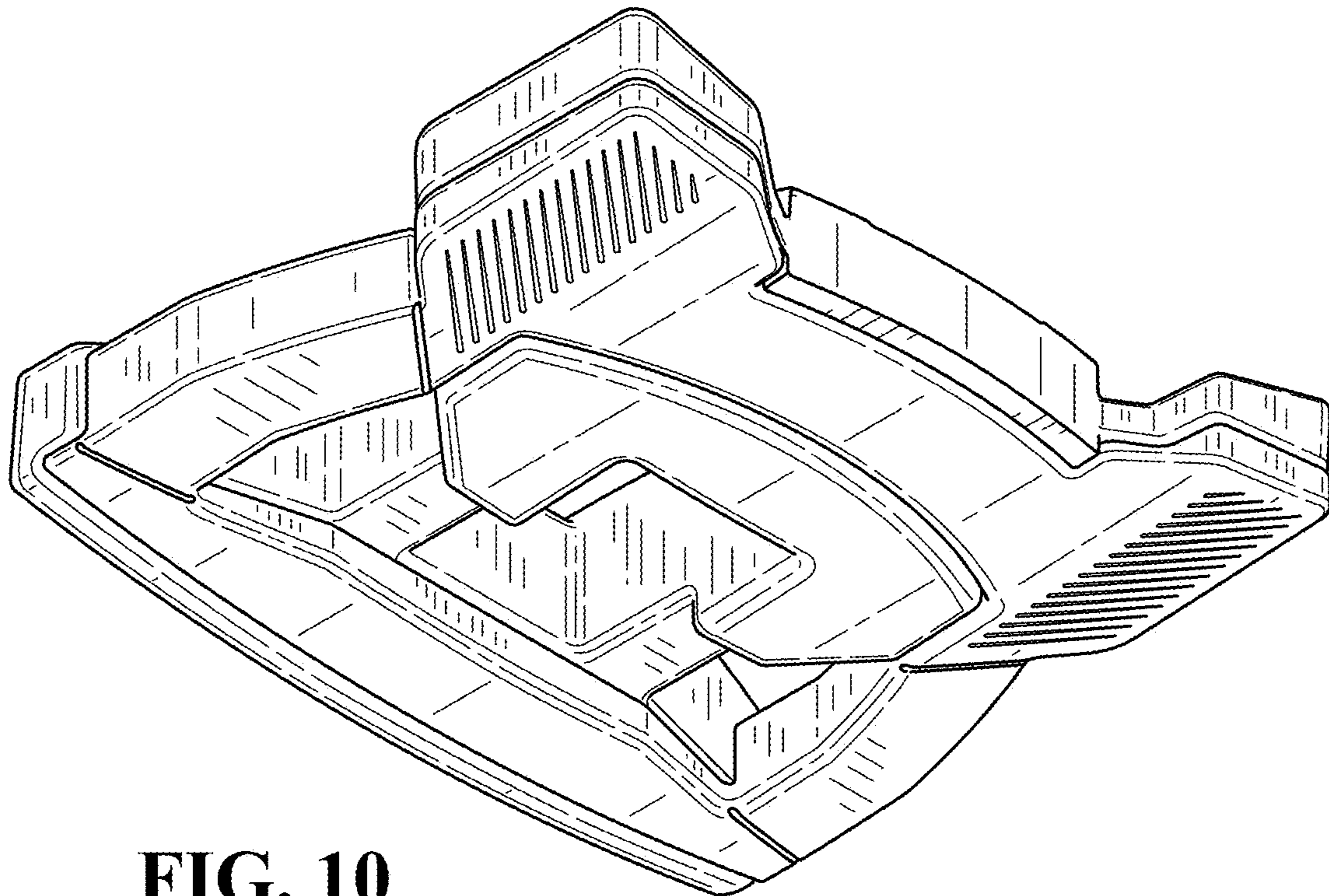


FIG. 10

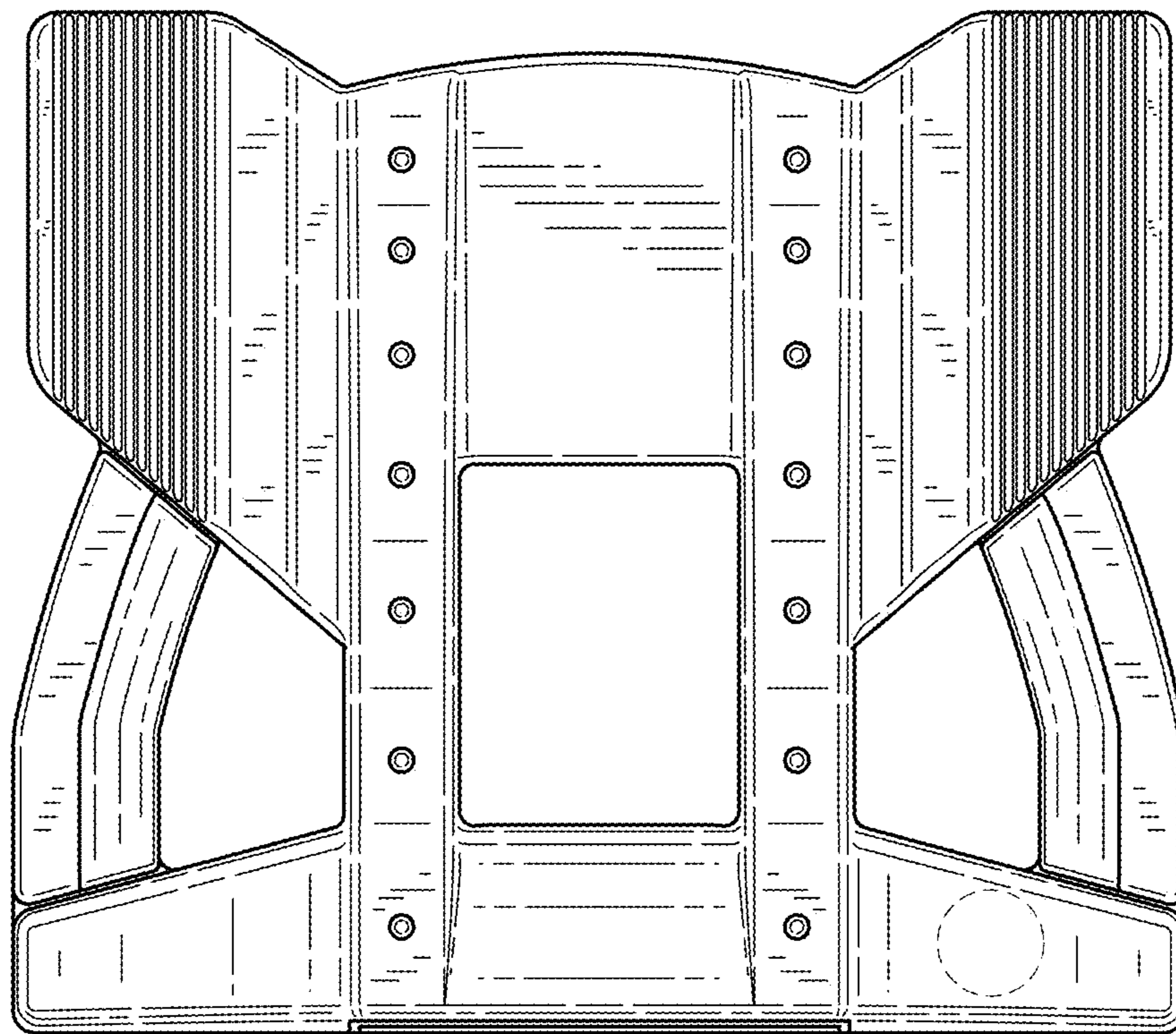


FIG. 11

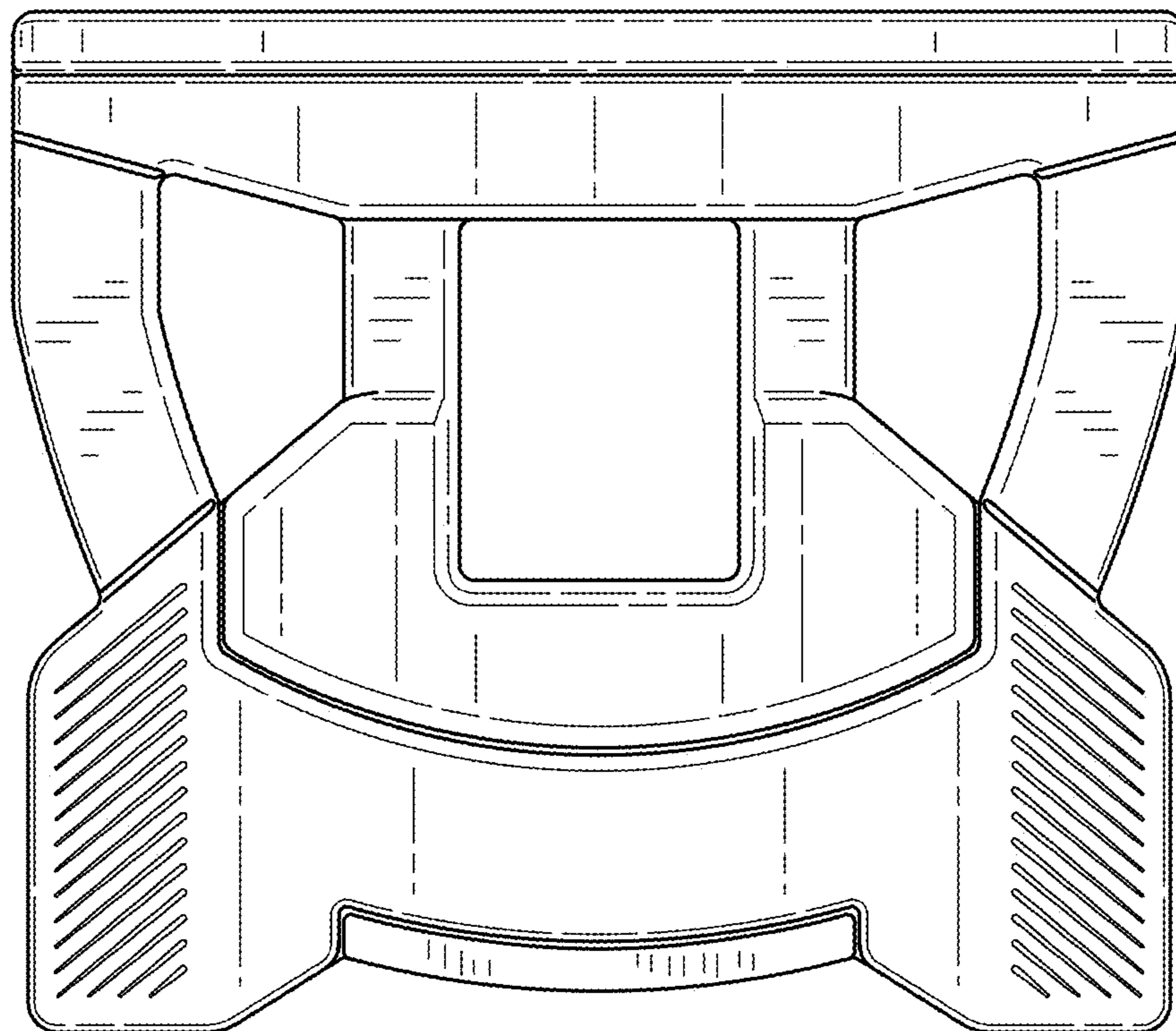


FIG. 12

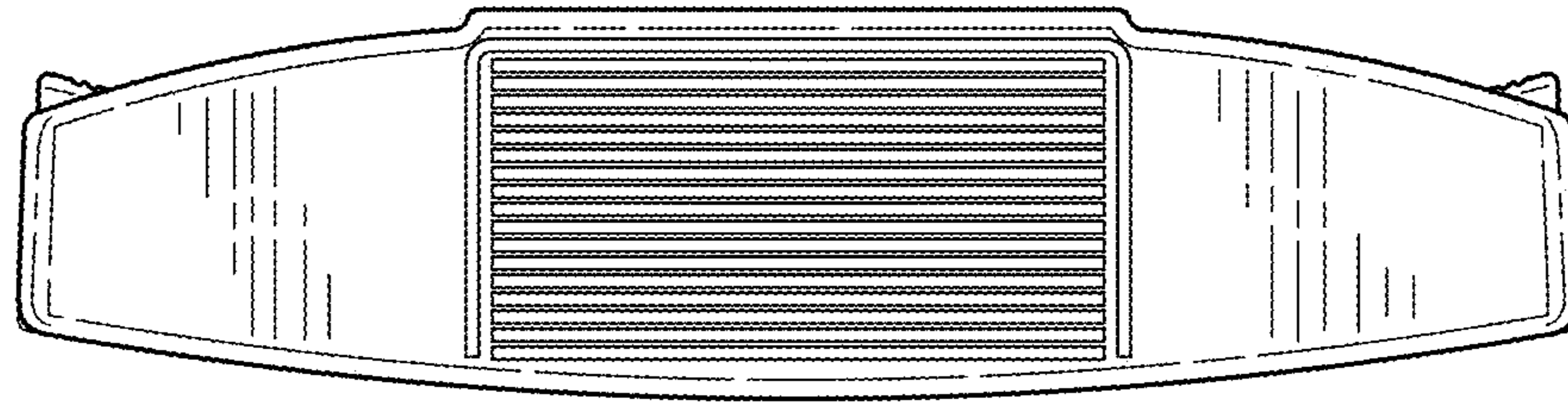


FIG. 13

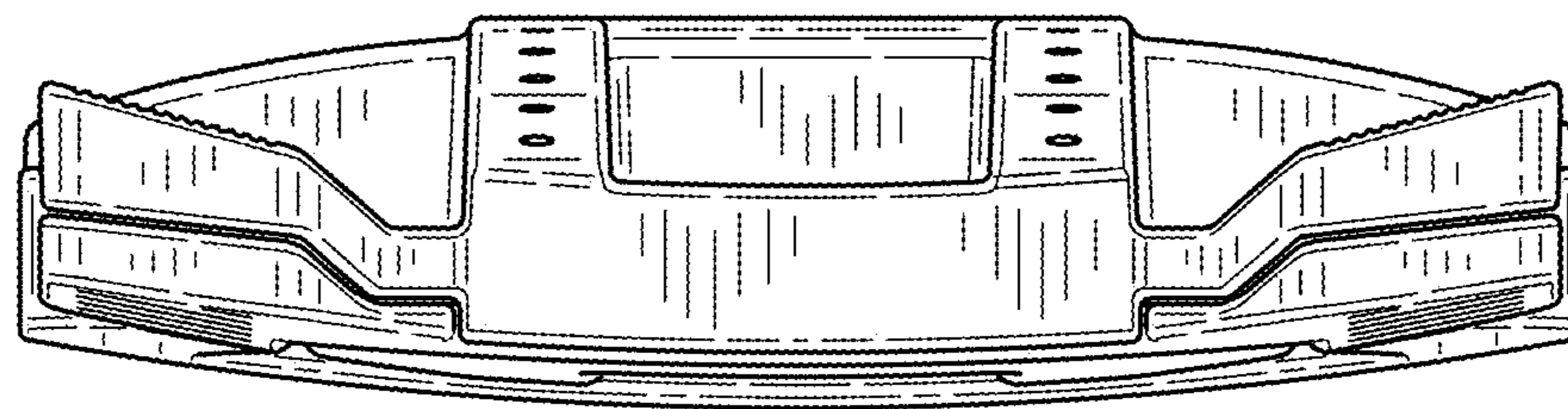


FIG. 14

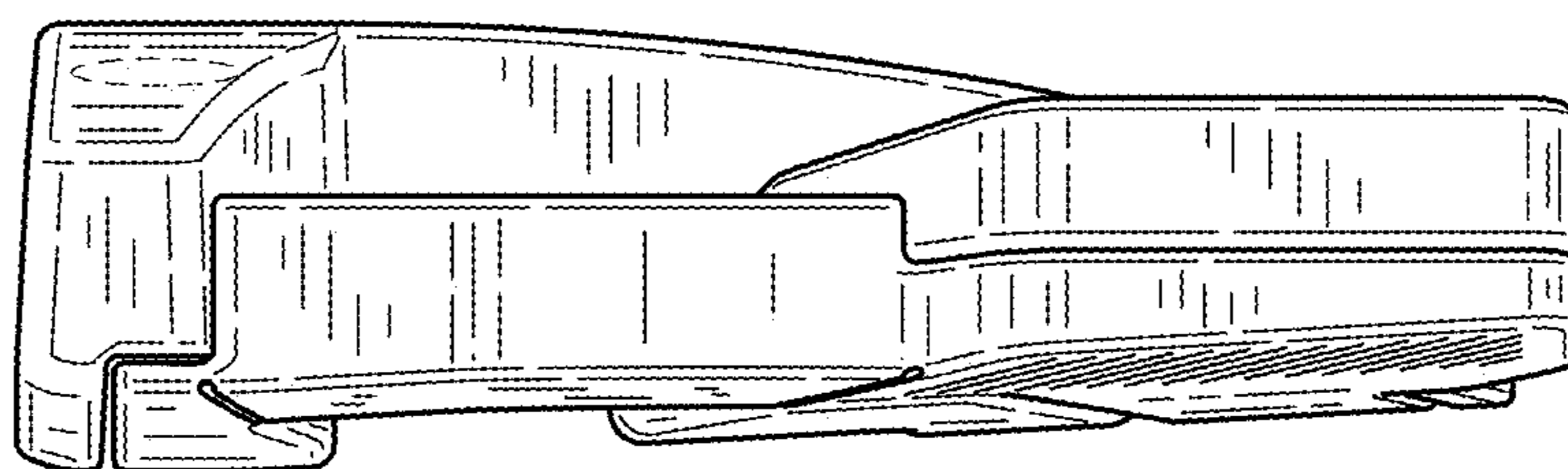


FIG. 15

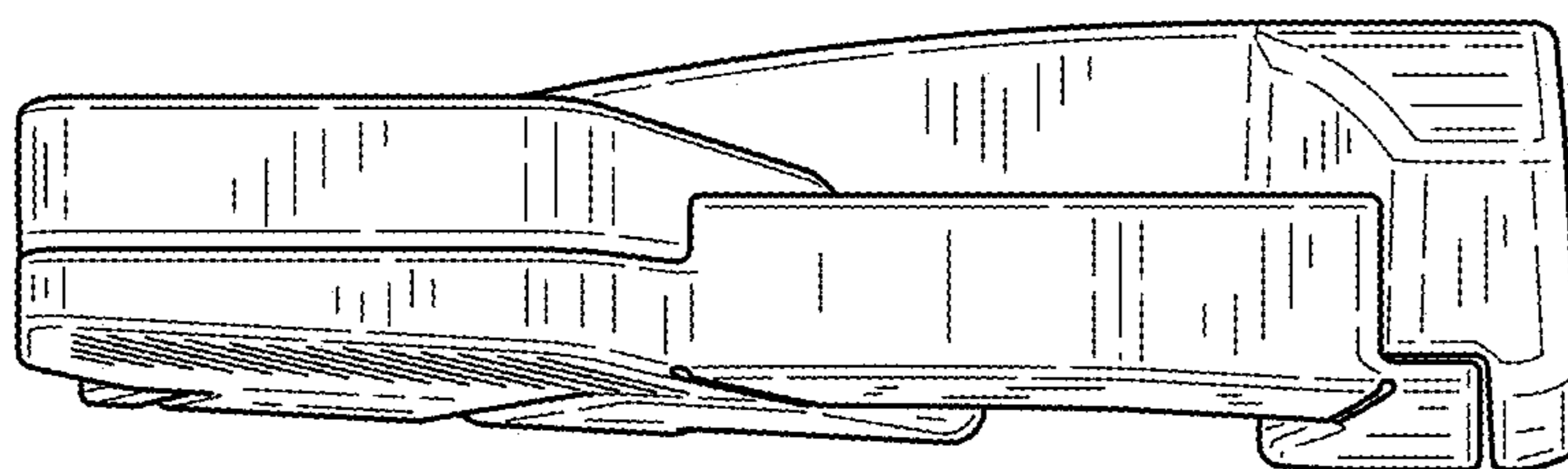


FIG. 16