



US00D895035S

(12) **United States Design Patent**
Flick

(10) **Patent No.:** **US D895,035 S**

(45) **Date of Patent:** **** Sep. 1, 2020**

(54) **KETTLEBELL**

(71) Applicant: **NAUTILUS, INC.**, Vancouver, WA
(US)

(72) Inventor: **Edward L. Flick**, Brush Prairie, WA
(US)

(73) Assignee: **Nautilus, Inc.**, Vancouver, WA (US)

(**) Term: **15 Years**

(21) Appl. No.: **29/725,921**

(22) Filed: **Feb. 27, 2020**

Related U.S. Application Data

(63) Continuation of application No. 29/662,554, filed on
Sep. 6, 2018, now Pat. No. Des. 879,888.

(51) **LOC (12) Cl.** **21-02**

(52) **U.S. Cl.**
USPC **D21/680**

(58) **Field of Classification Search**

USPC D21/662, 678, 679, 680–682, 684;
D7/543, 545, 551.1, 553.1, 553.3, 553.7;
D23/277, 278; D9/454, 528, 560
CPC A63B 21/00065; A63B 21/075; A63B
21/00726; A63B 21/072; A63B 21/00728
See application file for complete search history.

(56) **References Cited**

U.S. PATENT DOCUMENTS

4,659,079 A * 4/1987 Blanchard A63B 47/007
206/315.9
D595,392 S * 6/2009 Verlinden D23/278
7,762,933 B1 * 7/2010 Yu A63B 21/075
482/106
D628,251 S * 11/2010 Krull D21/681
7,981,013 B2 * 7/2011 Krull A63B 21/075
482/107
D653,716 S * 2/2012 Lin D21/682

D692,509 S * 10/2013 Kessler D21/682
D745,644 S * 12/2015 Burke D23/277
D745,645 S * 12/2015 Burke D23/277
D796,592 S * 9/2017 Towley D21/682
D832,942 S * 11/2018 Arceta D21/680
D879,561 S * 3/2020 Balle D7/545
2007/0135274 A1 * 6/2007 Blateri A63B 21/075
482/109
2010/0331151 A1 * 12/2010 Signorile A63B 21/00196
482/93

(Continued)

OTHER PUBLICATIONS

Bowflex® 840 Kettlebell | Product Overview: Published Aug. 12,
2019 [online], site visited Nov. 6, 2019. Available from Internet
URL: <https://youtu.be/mJRPIILr3Ek> (Year: 2019).*

(Continued)

Primary Examiner — Jack Reickel

Assistant Examiner — Melvin L Davis

(74) *Attorney, Agent, or Firm* — Dorsey & Whitney LLP

(57) **CLAIM**

I claim the ornamental design for a kettlebell, as shown and
described.

DESCRIPTION

FIG. 1 shows a top isometric view of a kettlebell in
accordance with the present design.

FIG. 2 shows a bottom isometric view of the kettlebell in
FIG. 1.

FIG. 3 shows a front elevation view thereof.

FIG. 4 shows a rear elevation view thereof.

FIG. 5 shows a right side elevation view thereof.

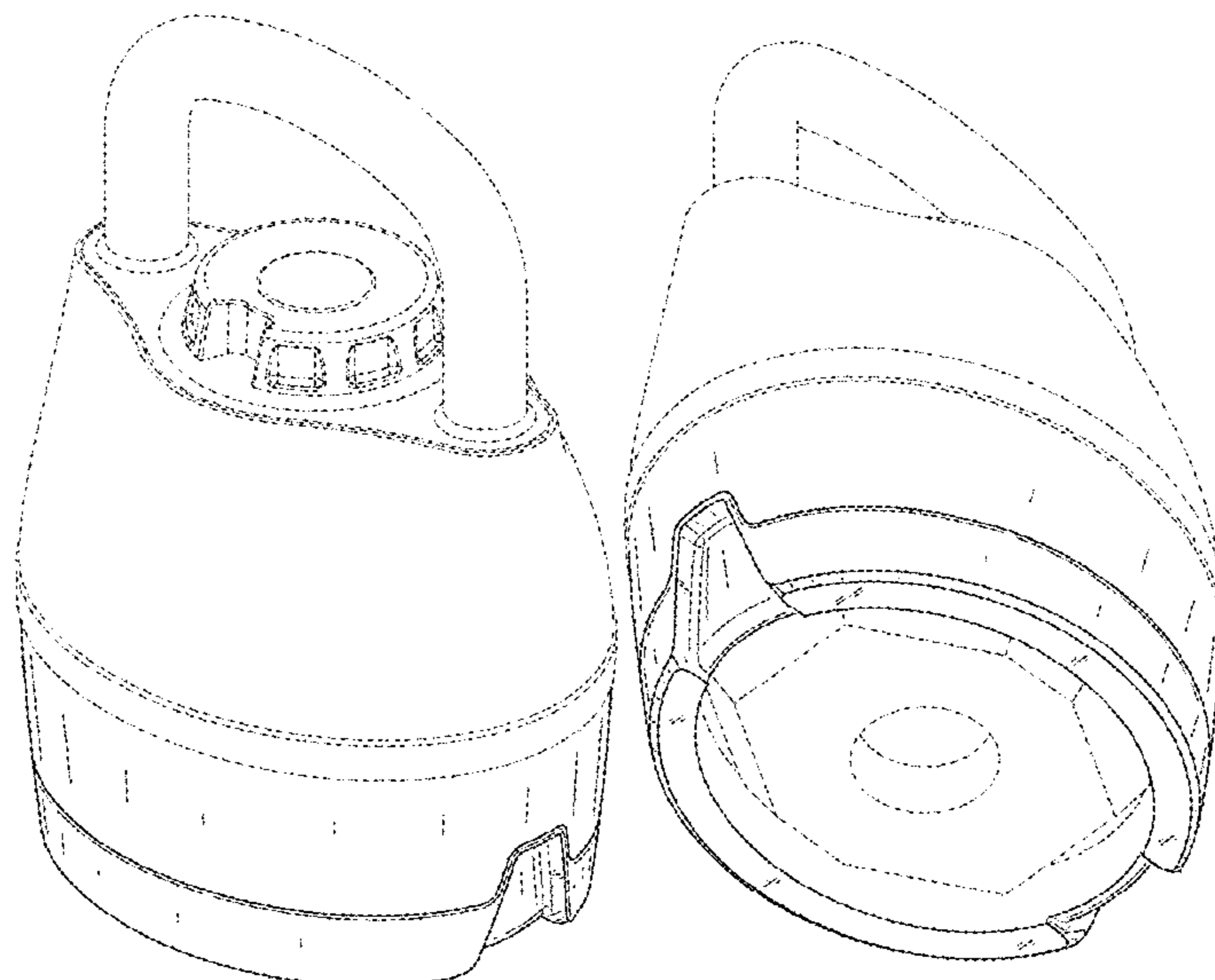
FIG. 6 shows a left side elevation view thereof.

FIG. 7 shows a top plan view thereof; and,

FIG. 8 shows a bottom plan view thereof.

The broken lines illustrate portions of the kettlebell that
form no part of the claimed design.

1 Claim, 8 Drawing Sheets



(56)

References Cited

U.S. PATENT DOCUMENTS

2011/0306475 A1* 12/2011 Caswell A63B 21/0601
482/93
2013/0040789 A1* 2/2013 Kessler A63B 21/072
482/108
2019/0240526 A1* 8/2019 Owusu A63B 21/00065

OTHER PUBLICATIONS

“Tupperware Modular Mate Oval Set, 4-Pieces ” Sep. 21, 2015, site visited Mar. 30, 2020: <https://www.amazon.com/dp/B00KFC4AXQ/> (Year: 2015).*

“Adjustable Weight Set for Exercise” Dec. 4, 2017, Amazon.com, site visited Mar. 30, 2020: https://www.amazon.com/dp/B074N5392C/ref=cm_sw_r_tw_dp_U_x_aexGEbR8YN0G6 (Year: 2017).*

“Adjustable Titan Fitness kettlebell” May 1, 2016, site visited Mar. 30, 2020: https://www.amazon.com/dp/B01B6RZSH0/ref=cm_sw_r_tw_dp_U_x_v.wGEbA9PBBV5 (Year: 2016).*

“Sterilite 19859806 30-Quart Ultra Latch Box, White Lid See-Through Base” Nov. 10, 2015, Amazon.com, site visited XXDATEXX: <https://www.amazon.in/dp/B002BA5F5C> (Year: 2015).*

* cited by examiner

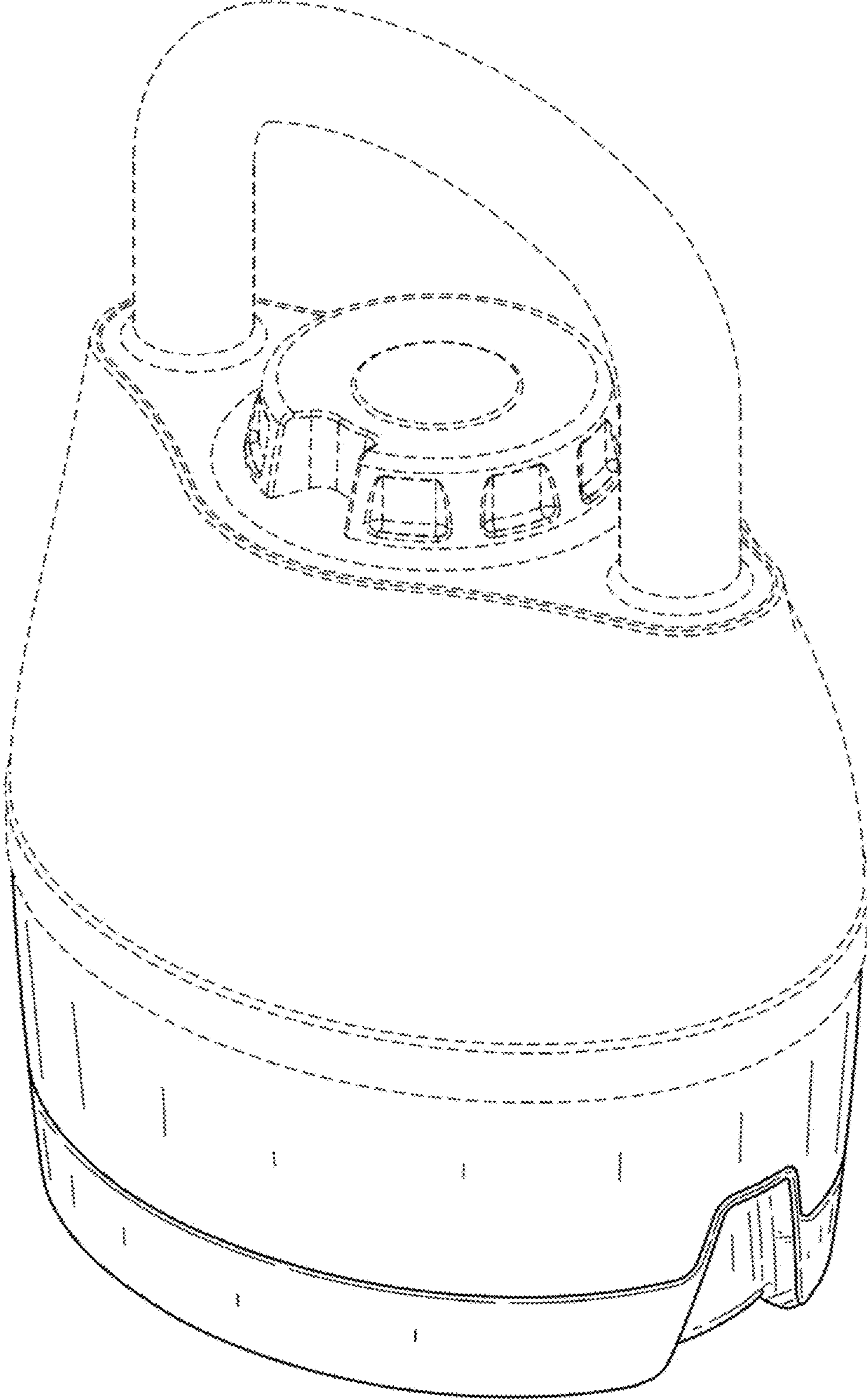


FIG. 1

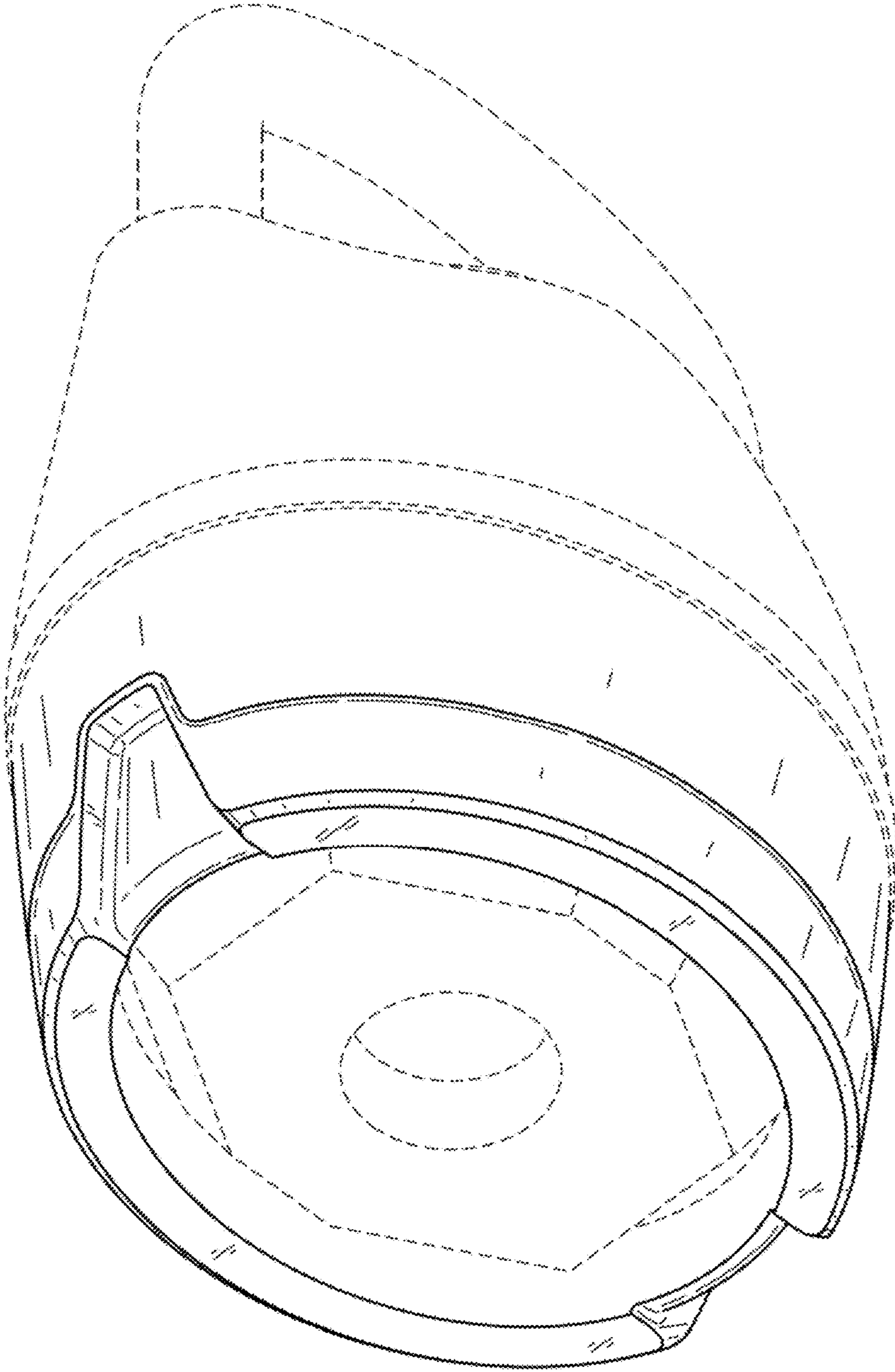


FIG. 2

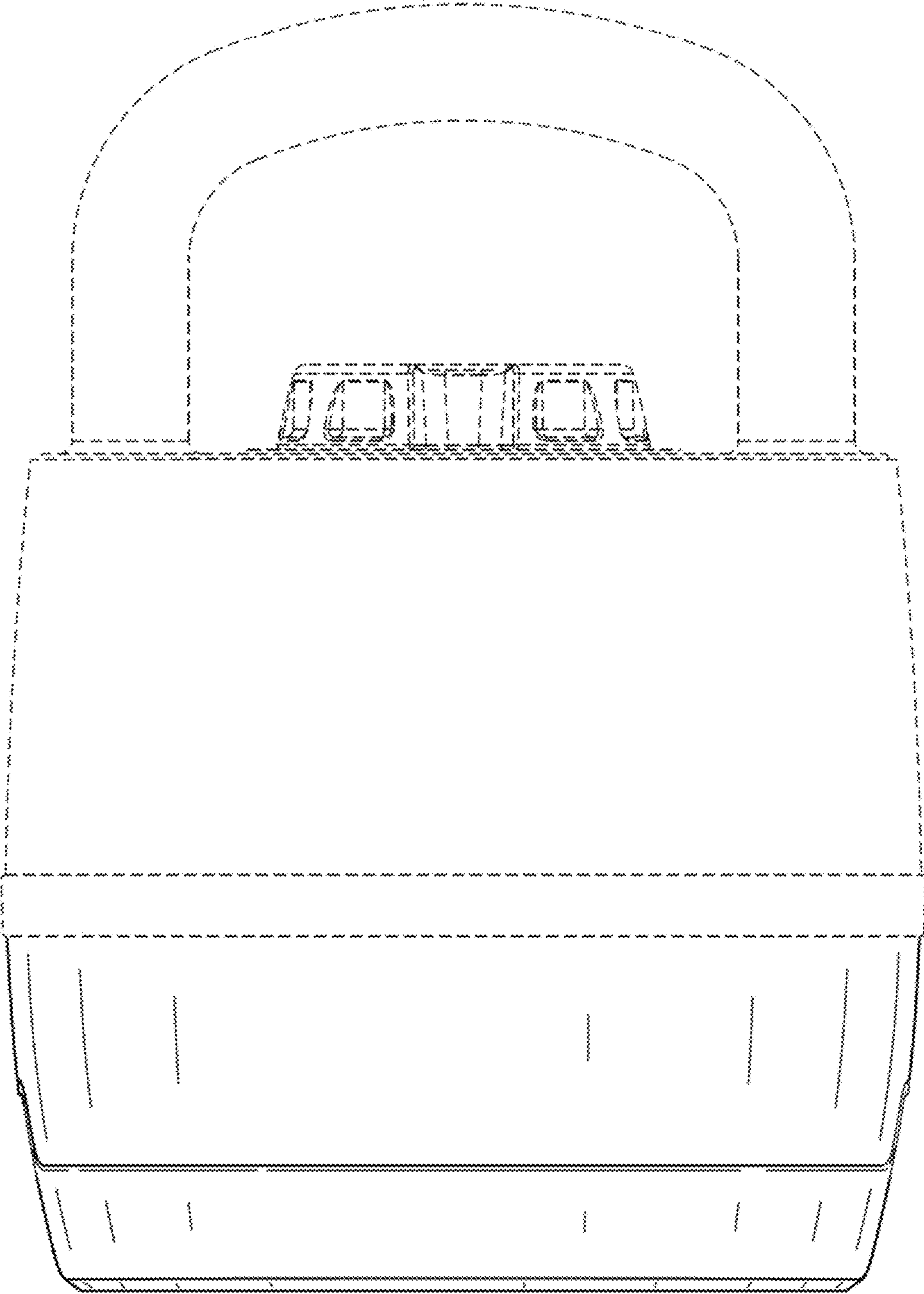


FIG. 3

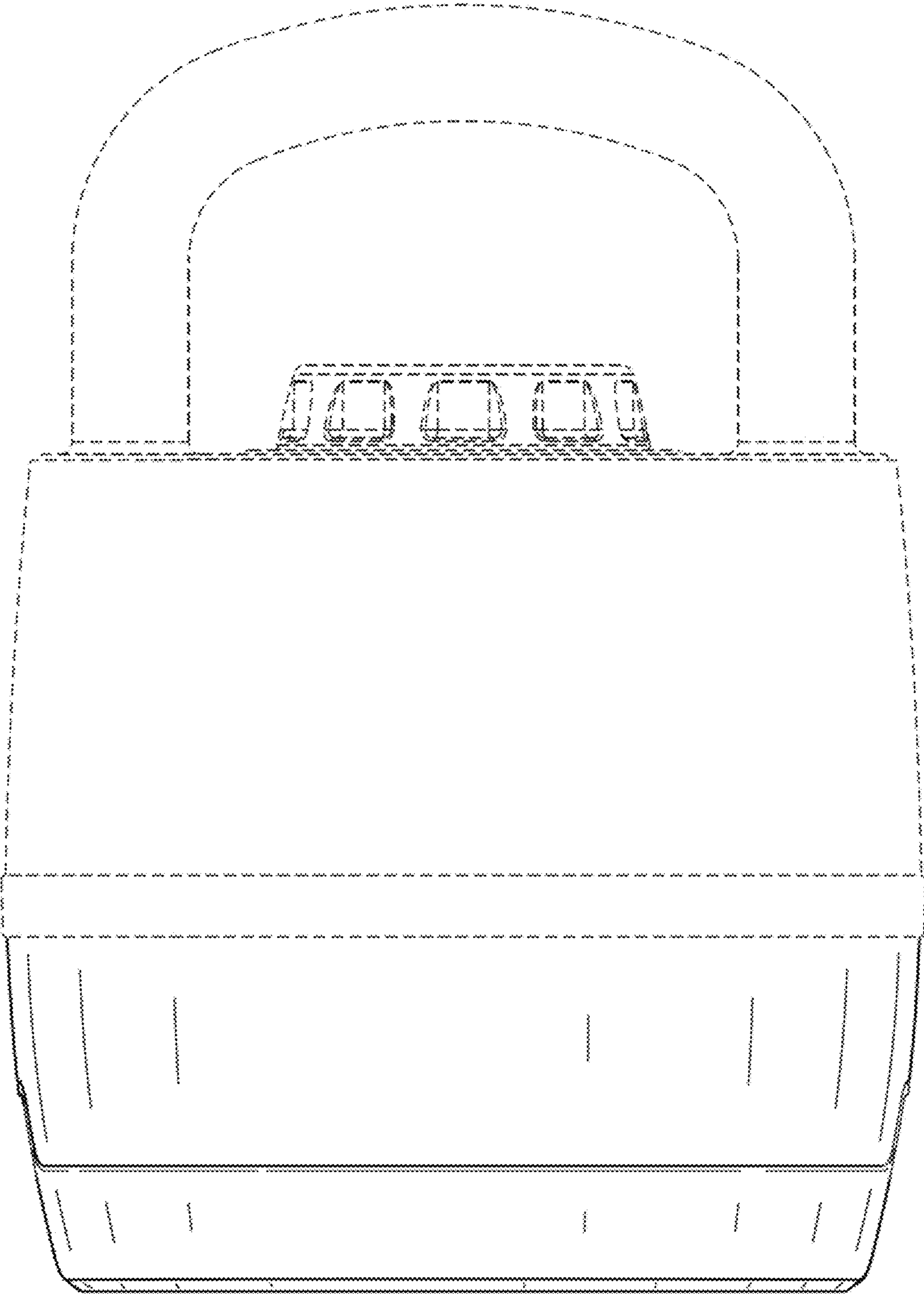


FIG. 4

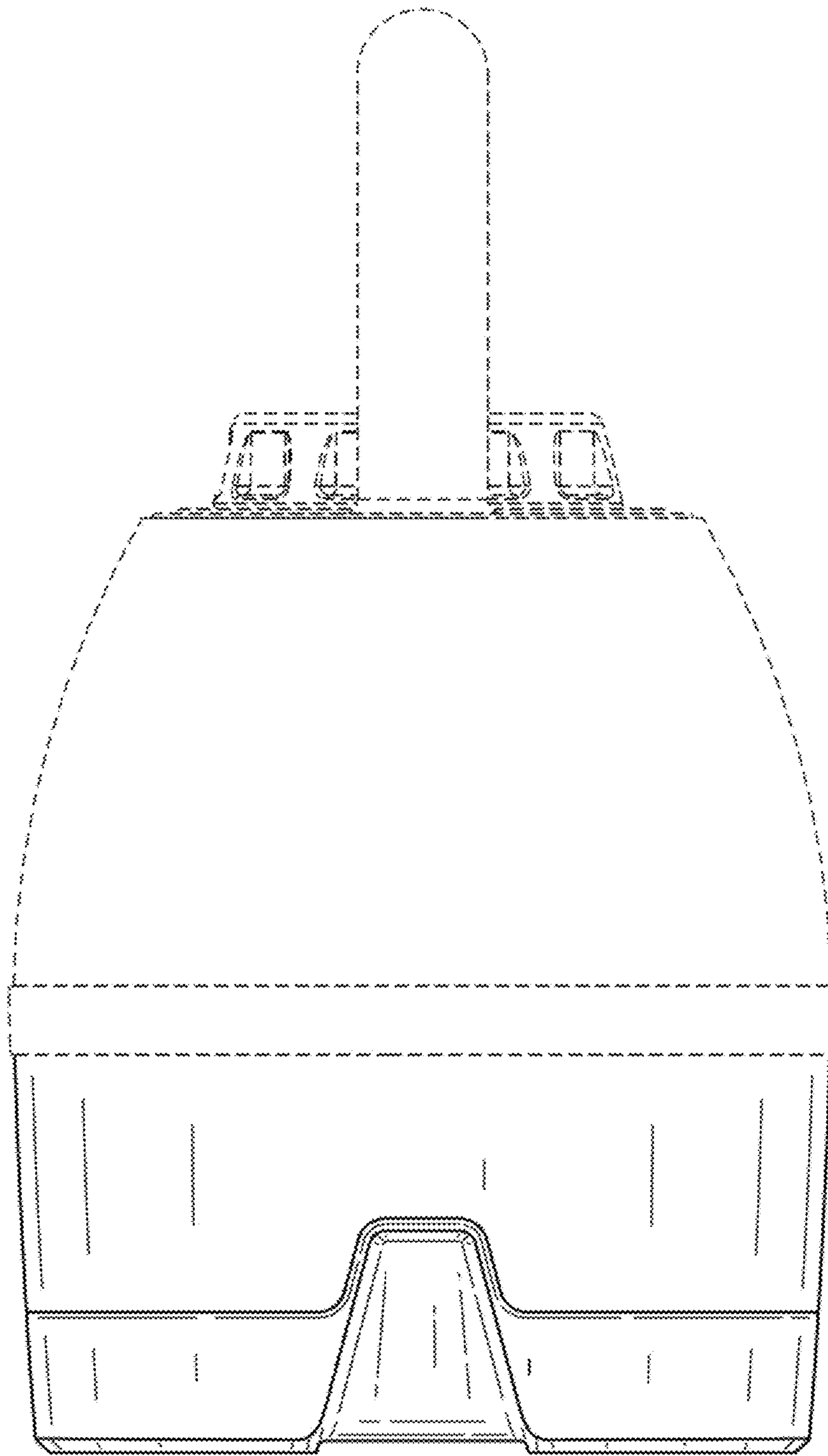


FIG. 5

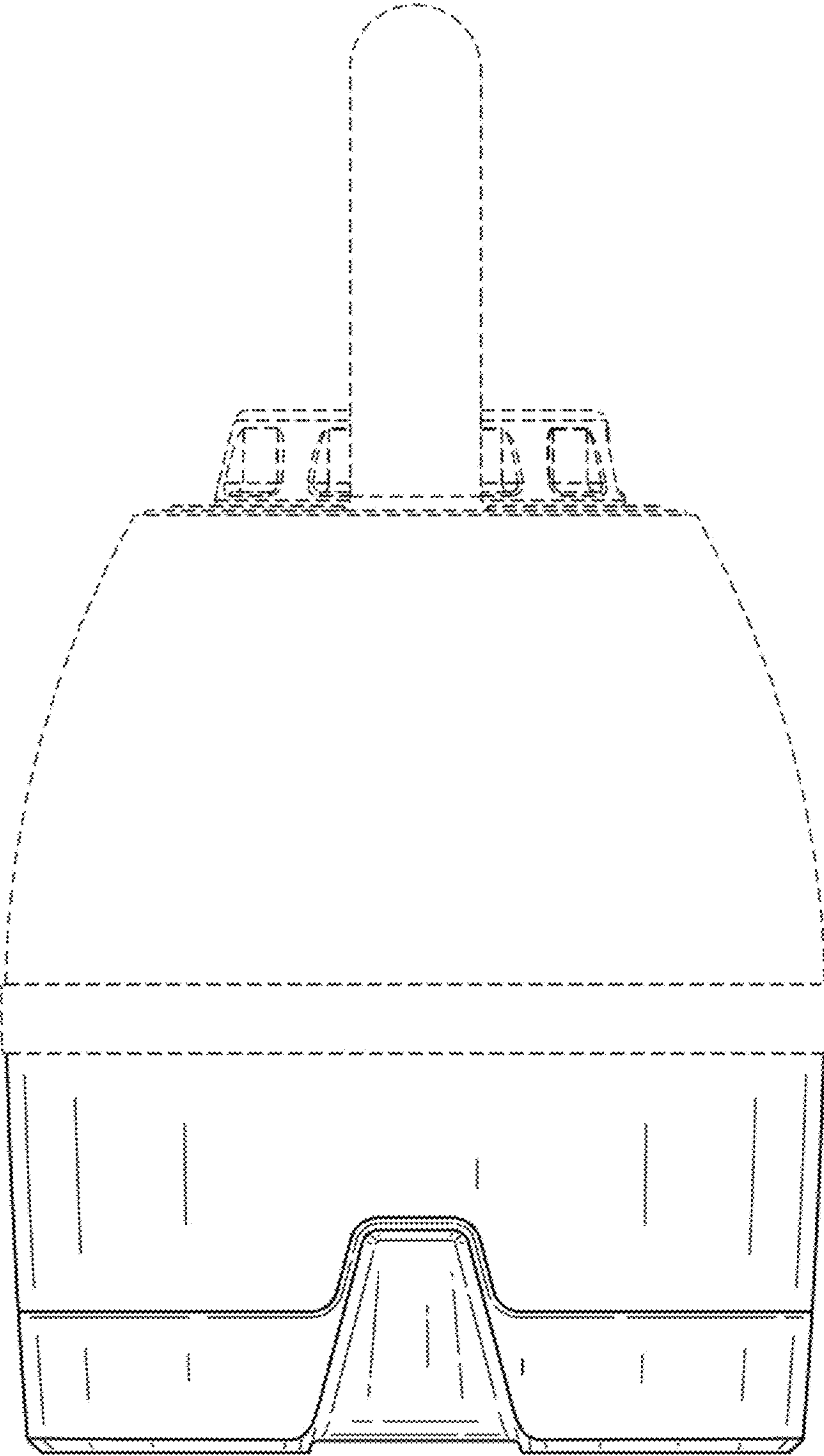


FIG. 6

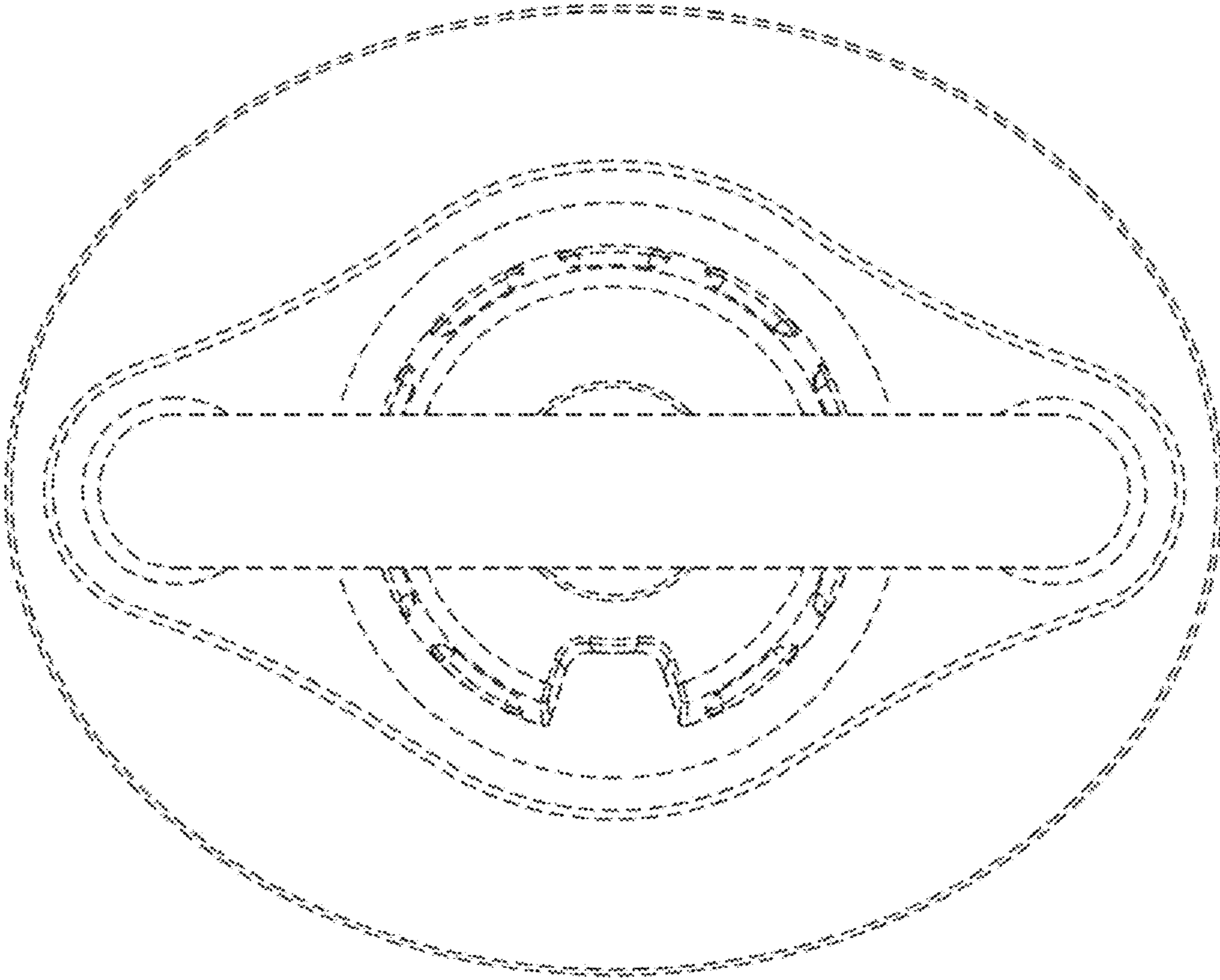


FIG. 7

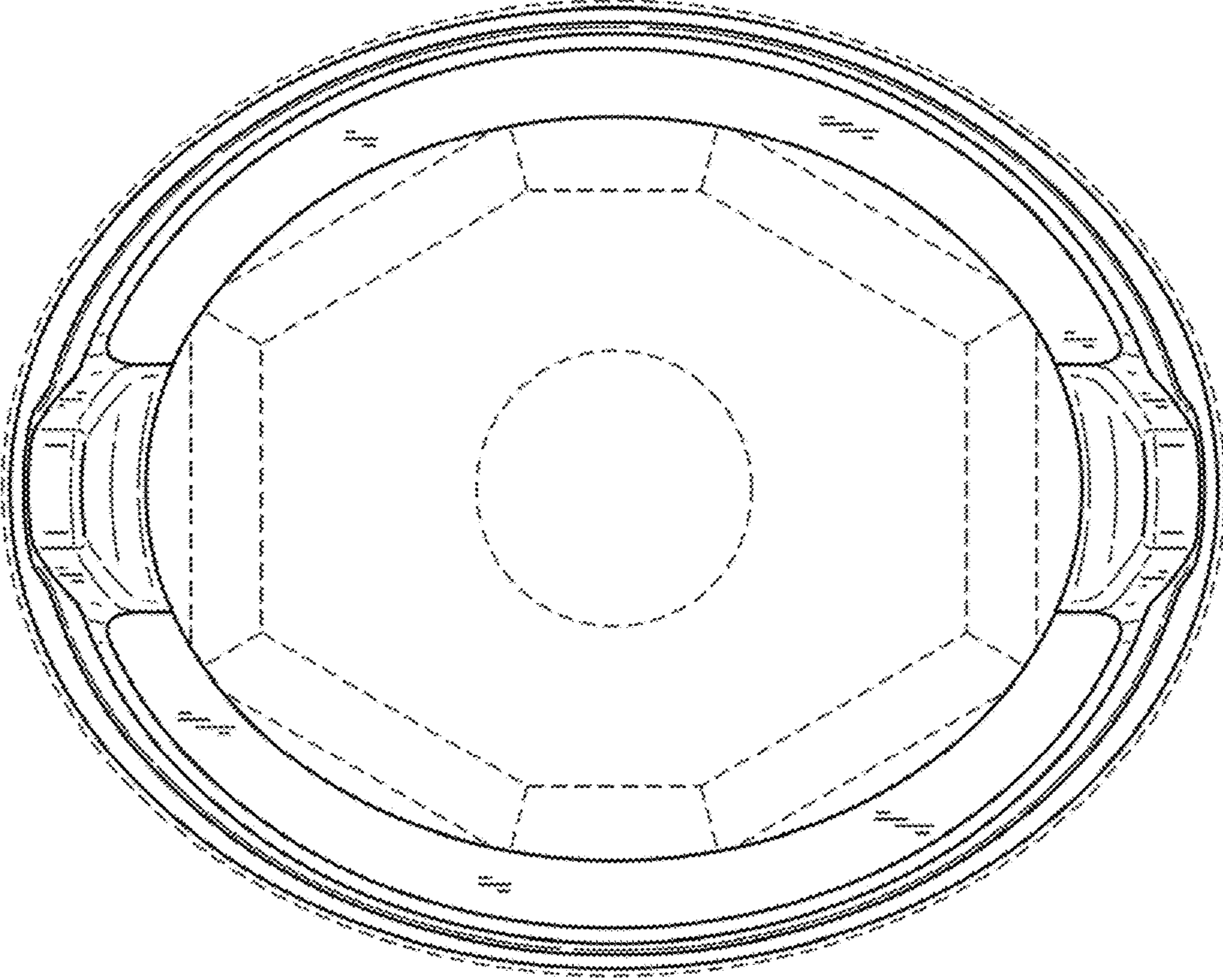


FIG. 8