



US00D895034S

(12) **United States Design Patent** (10) **Patent No.:** **US D895,034 S**
Gilman (45) **Date of Patent:** **** Sep. 1, 2020**

(54) **TRAINING PLATFORM**
(71) Applicant: **Marty Gilman, Inc.**, Gilman, CT (US)
(72) Inventor: **Neil F. Gilman**, Gilman, CT (US)
(73) Assignee: **Marty Gilman, Inc.**, Gilman, CT (US)
(**) Term: **15 Years**
(21) Appl. No.: **29/622,023**

D828,473 S * 9/2018 Kasper D21/803
2002/0086776 A1 7/2002 Fields et al.
2012/0058863 A1* 3/2012 Brizard A63B 21/0004
482/93

(Continued)

FOREIGN PATENT DOCUMENTS

AU 2004200051 A1 7/2005
GB 2477525 A 8/2011
WO WO2014083506 A1 6/2014

OTHER PUBLICATIONS

New England Foam, 3 pgs, Oct. 26, 2015; downloaded from the web on Apr. 20, 2017 (<https://web-beta.archive.org/web/2010/http://usa.rhinorugby.com:80/rhino-rugby-senior-tacle-ring>).

(Continued)

Primary Examiner — Cynthia Ramirez
Assistant Examiner — Michael A Maharajh
(74) *Attorney, Agent, or Firm* — Winthrop & Weinstine, P.A.

(22) Filed: **Oct. 13, 2017**
(51) **LOC (12) Cl.** **21-02**
(52) **U.S. Cl.**
USPC **D21/680**
(58) **Field of Classification Search**
USPC 482/93, 106, 108; D12/175, 202, 204,
D12/207, 604; D21/662, 680, 681, 682,
D21/684, 808
CPC ... A63B 21/072; A63B 21/06; A63B 21/0728;
A63B 21/075
See application file for complete search history.

(57) **CLAIM**

The ornamental design for a training platform, as shown and described.

(56) **References Cited**

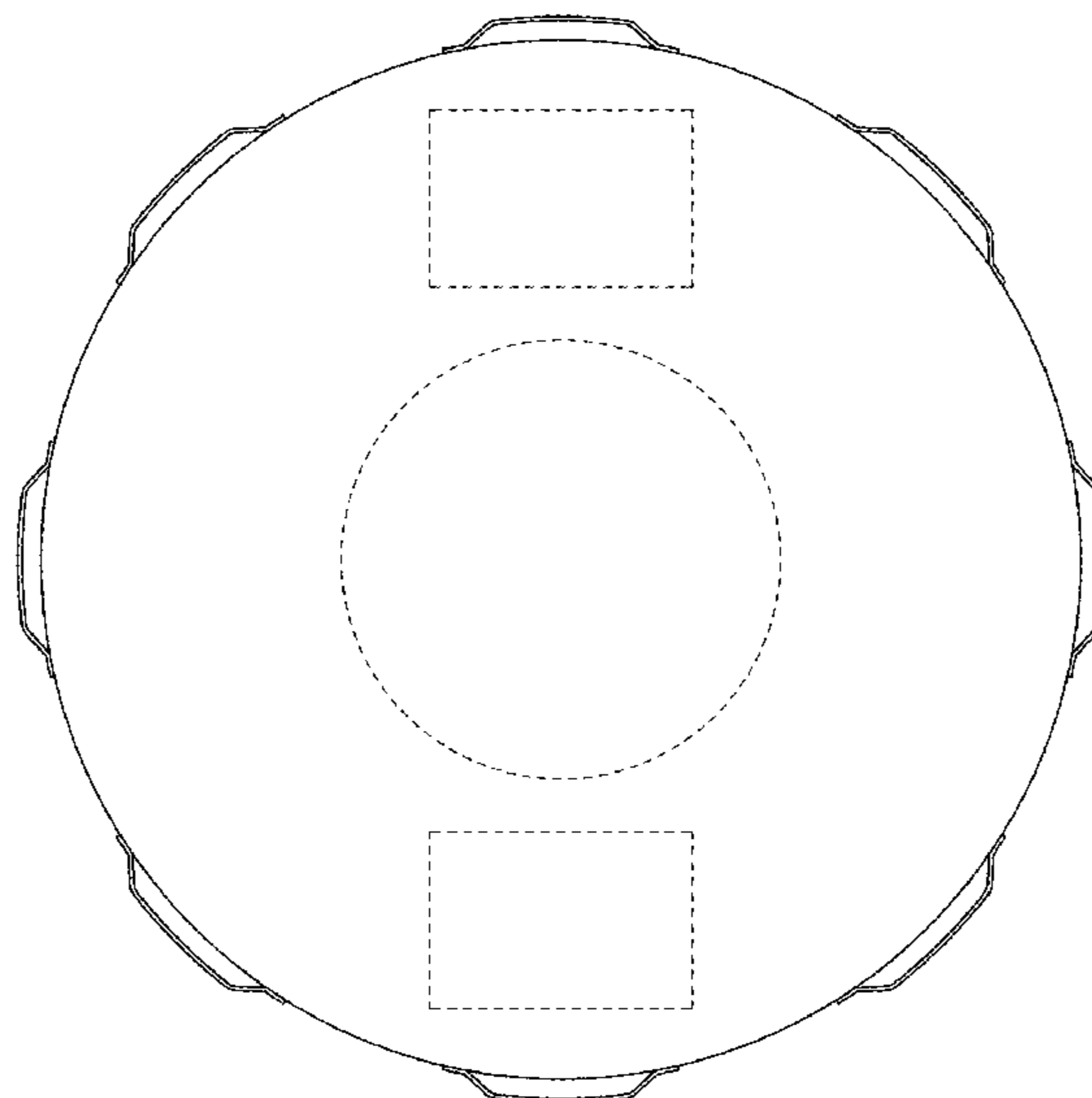
U.S. PATENT DOCUMENTS

2,586,283 A 2/1952 Wynn
6,149,555 A * 11/2000 Kinback A63B 21/06
383/10
D476,712 S * 7/2003 Peterson D21/803
6,648,707 B1 * 11/2003 Peterson B63B 7/085
114/345
D588,975 S * 3/2009 Spater D12/202
D615,137 S * 5/2010 Ivanov D21/680
D665,038 S * 8/2012 Wen D21/662
D703,285 S * 4/2014 Chiu D21/803
D751,655 S * 3/2016 Januszek D21/662
D771,205 S * 11/2016 Davies, III D21/680
D792,531 S * 7/2017 Bossier D21/682
D800,233 S * 10/2017 Januszek D21/662
D802,063 S * 11/2017 Nelson D21/680
D806,185 S * 12/2017 Ross D21/662
D807,442 S * 1/2018 Ross D21/662

DESCRIPTION

FIG. 1 is a front view of a training platform showing my new design in accordance with the disclosure;
FIG. 2 is a rear view thereof;
FIG. 3 is a first side view thereof;
FIG. 4 is a second side view thereof;
FIG. 5 is a top view thereof;
FIG. 6 is a bottom view thereof; and,
FIG. 7 is an isometric view thereof.
The broken lines are included for purpose of illustrating the portions of the training platform that form no part of the claimed design.

1 Claim, 7 Drawing Sheets



(56)

References Cited

U.S. PATENT DOCUMENTS

2015/0165258 A1* 6/2015 Januszek A63B 21/06
482/93
2017/0128809 A1 5/2017 Adkisson
2018/0015318 A1 1/2018 Nelson

OTHER PUBLICATIONS

Rhino Tackle Bags, 8 pgs, Sep. 10, 2015; downloaded from the web
on Apr. 20, 2017 ([https://web-beta.archive.org/web/20101026155021/
http://www.newenglandfoam.com/polyether.html](https://web-beta.archive.org/web/20101026155021/http://www.newenglandfoam.com/polyether.html)).

* cited by examiner

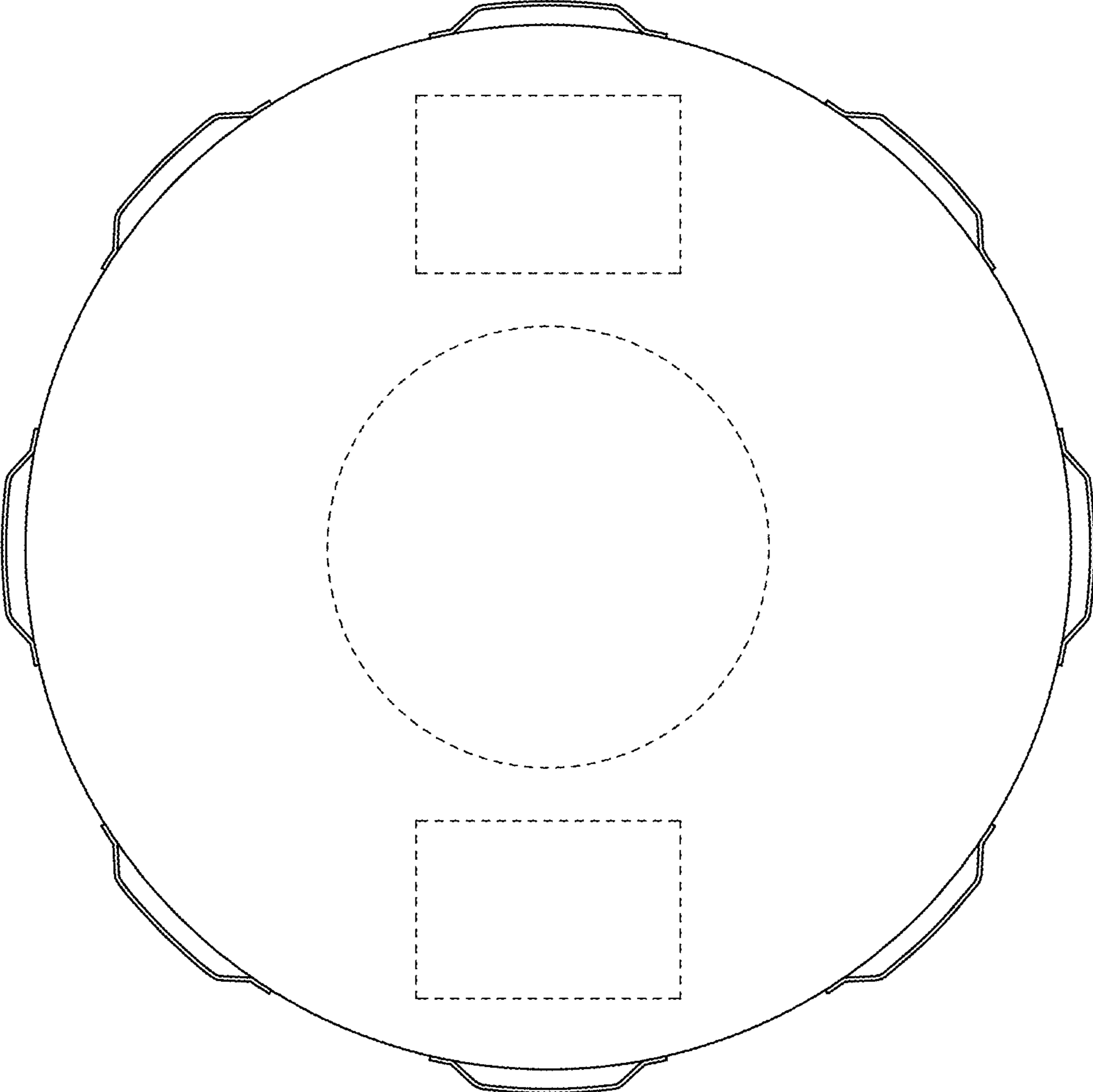


FIG. 1

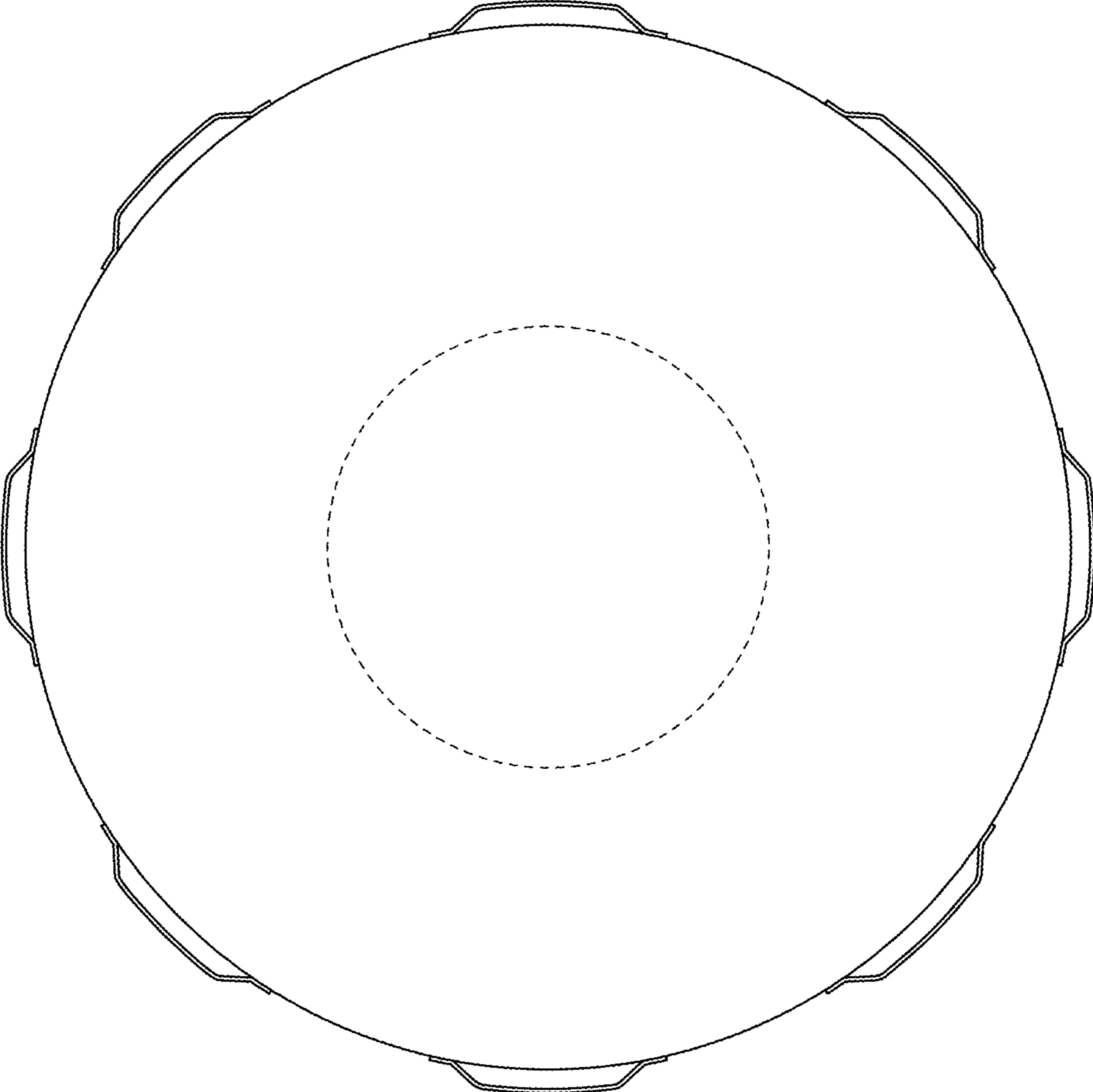


FIG. 2

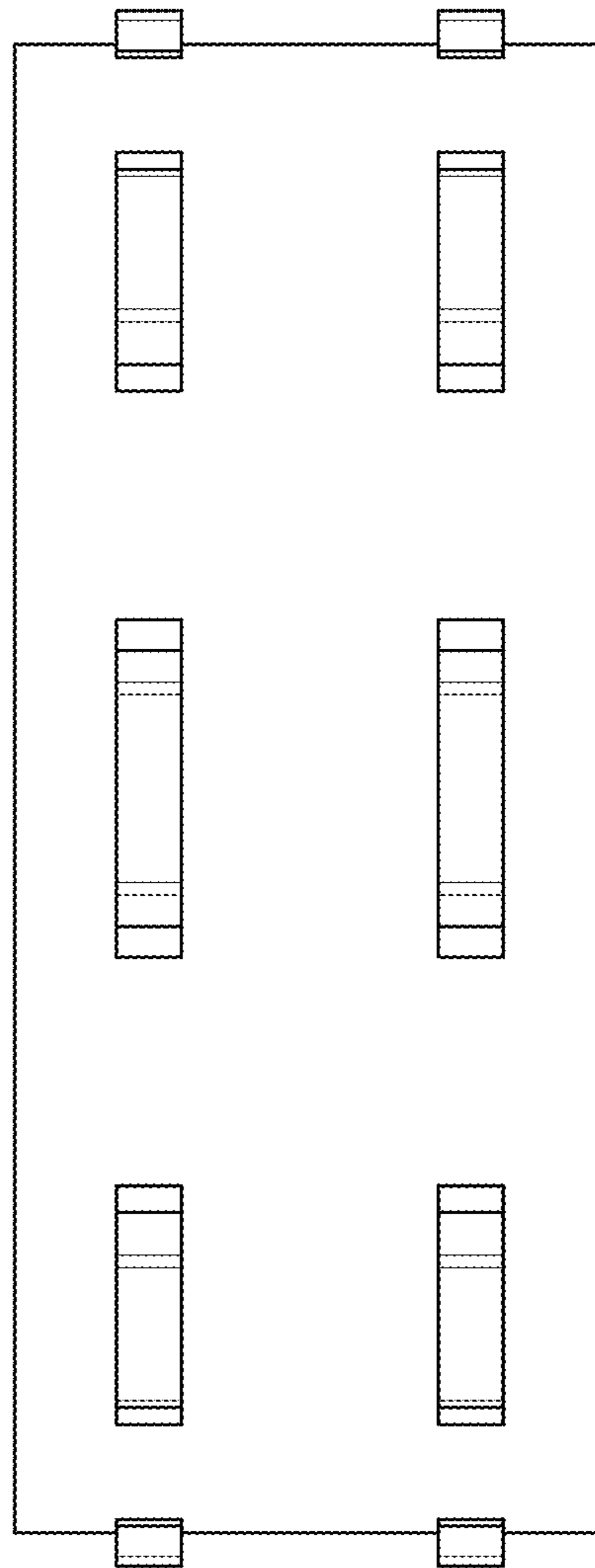


FIG. 3

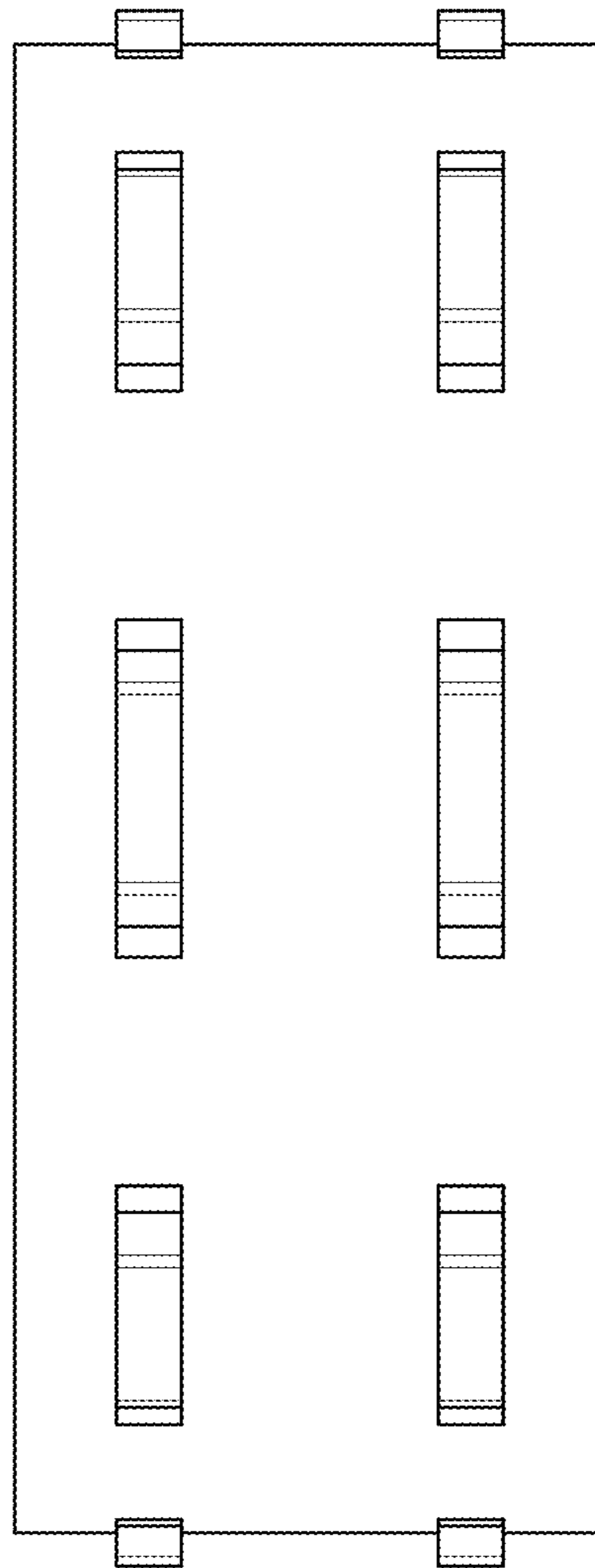


FIG.4

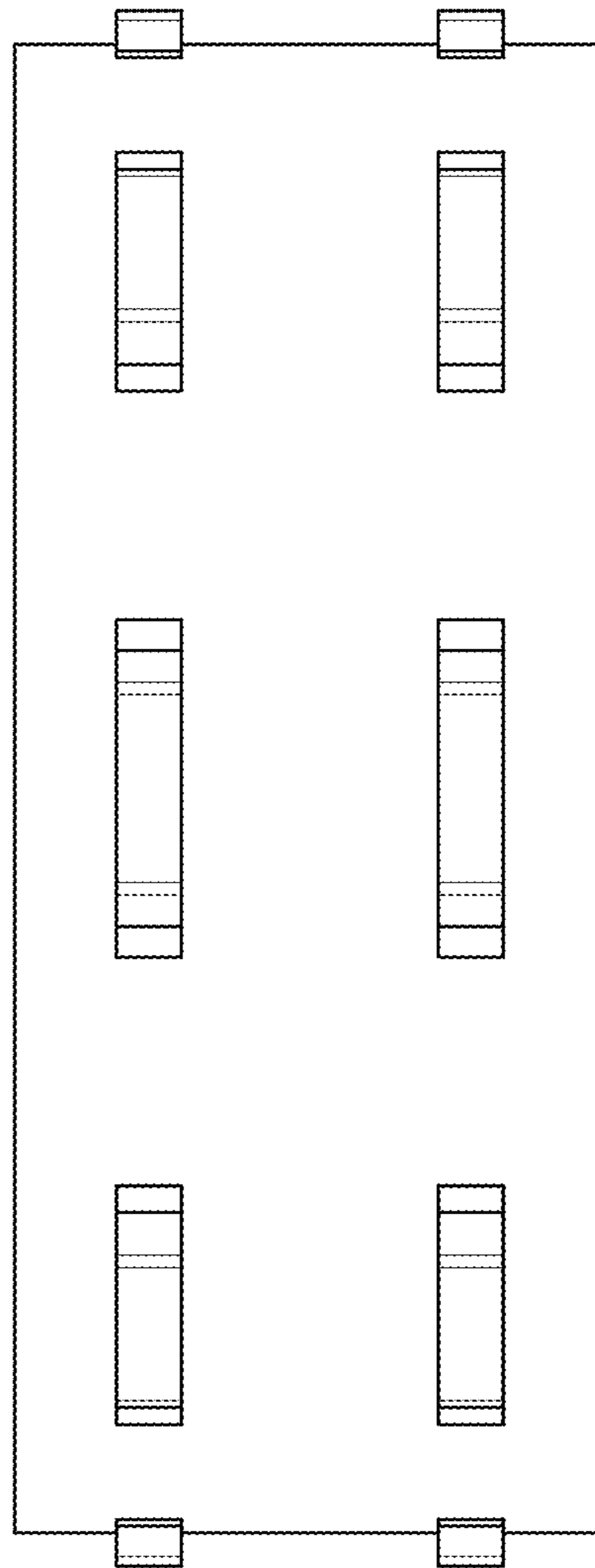


FIG. 5

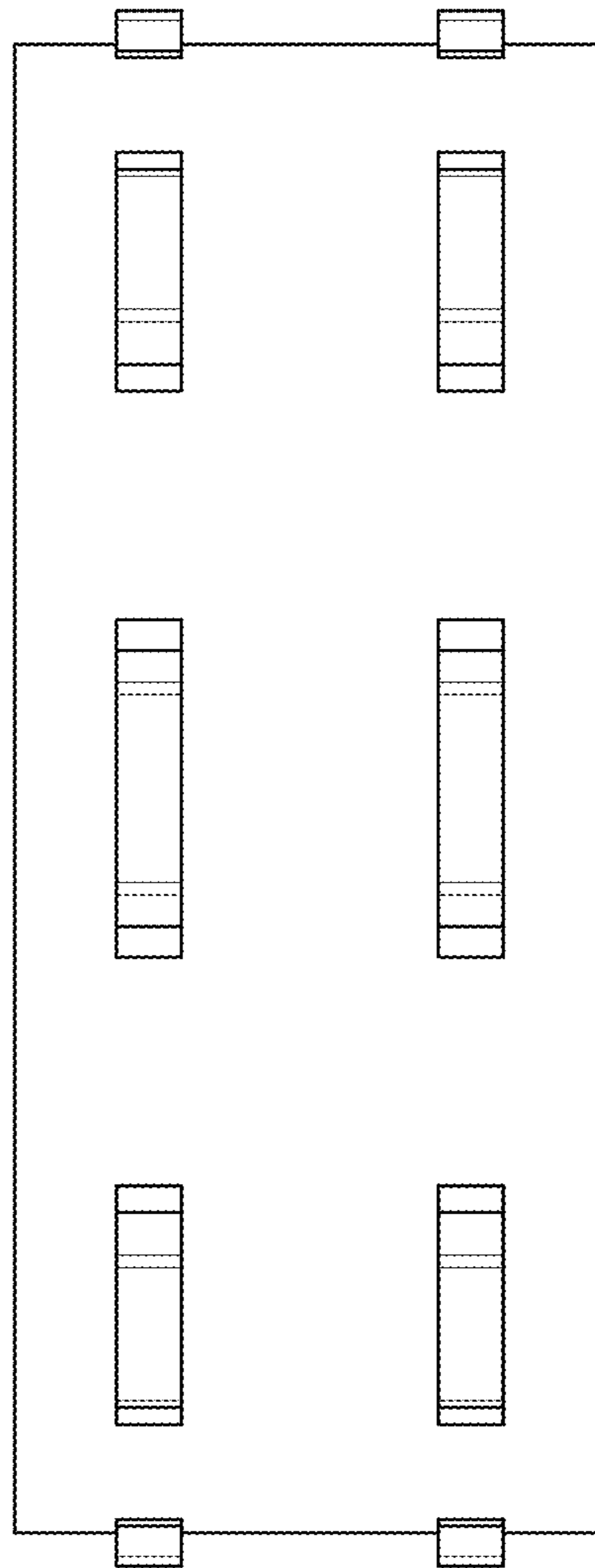


FIG.6

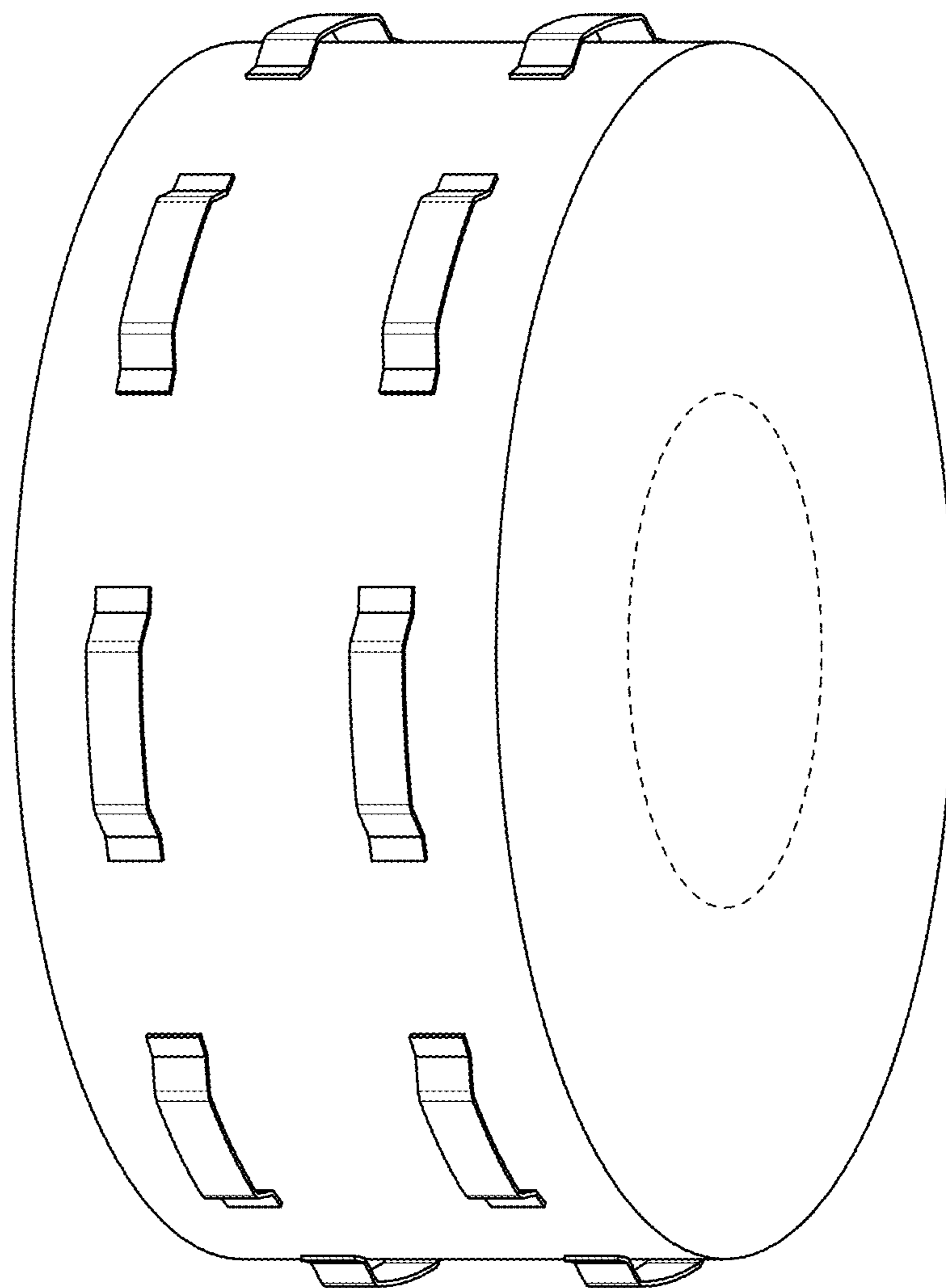


FIG. 7