

US00D895032S

(12) **United States Design Patent** (10) **Patent No.:** **US D895,032 S**  
**Jaquish et al.** (45) **Date of Patent:** **\*\* \*Sep. 1, 2020**

- (54) **EXERCISE APPARATUS**
- (71) Applicant: **Jaquish Biomedical Corporation**,  
Nevada City, CA (US)
- (72) Inventors: **John Paul Jaquish**, Nevada City, CA  
(US); **Paul Edward Jaquish**, Nevada  
City, CA (US)
- (73) Assignee: **Jaquish Biomedical Corporation**,  
Nevada City, CA (US)

- 4,200,281 A 4/1980 Wang
- 4,257,592 A 3/1981 Jones
- 4,441,707 A 4/1984 Bosch
- 5,178,596 A 1/1993 McIntire
- 5,197,934 A 3/1993 Wirtz
- D342,771 S 12/1993 Tandberg
- D353,419 S 12/1994 Sprague
- 5,514,058 A 5/1996 Buoni
- 5,540,642 A 7/1996 Sprague
- 5,653,665 A 8/1997 Neeley
- 5,688,213 A 11/1997 Recker

(Continued)

(\* ) Notice: This patent is subject to a terminal disclaimer.

(\*\*) Term: **15 Years**

(21) Appl. No.: **29/734,015**

(22) Filed: **May 8, 2020**

**Related U.S. Application Data**

(63) Continuation of application No. 35/001,051, filed on Jul. 17, 2015 (U.S. filing date under 35 U.S.C. 384), and having an international filing date of Jul. 17, 2015, which is a continuation of application No. 29/515,595, filed on Jan. 23, 2015, now Pat. No. Des. 778,374.

(51) **LOC (12) Cl.** ..... **21-02**

(52) **U.S. Cl.**  
USPC ..... **D21/673**

(58) **Field of Classification Search**  
USPC ..... D21/662, 673, 679  
CPC ..... A63B 23/0355; A63B 23/03525; A63B  
21/0552; A63B 21/02; A63B 21/0004  
See application file for complete search history.

(56) **References Cited**

**U.S. PATENT DOCUMENTS**

- 1,019,861 A 3/1912 Titus
- 3,193,288 A 7/1965 Vell

**FOREIGN PATENT DOCUMENTS**

- EP 2764896 A1 8/2014
- KR 10200000 5/2000

*Primary Examiner* — George D. Kirschbaum

(74) *Attorney, Agent, or Firm* — Morgan, Lewis & Bockius LLP

(57) **CLAIM**

The ornamental design for an exercise apparatus, as shown and described.

**DESCRIPTION**

FIG. 1 is a first perspective view of an exercise apparatus showing our new design;

FIG. 2 is a second perspective view thereof;

FIG. 3 is a front view of the design of FIG. 2;

FIG. 4 is a rear view of the design of FIG. 2;

FIG. 5 is a side view of the design of FIG. 2, wherein the opposite side of the exercise apparatus is a mirror image of the side view;

FIG. 6 is a top view of the design of FIG. 2;

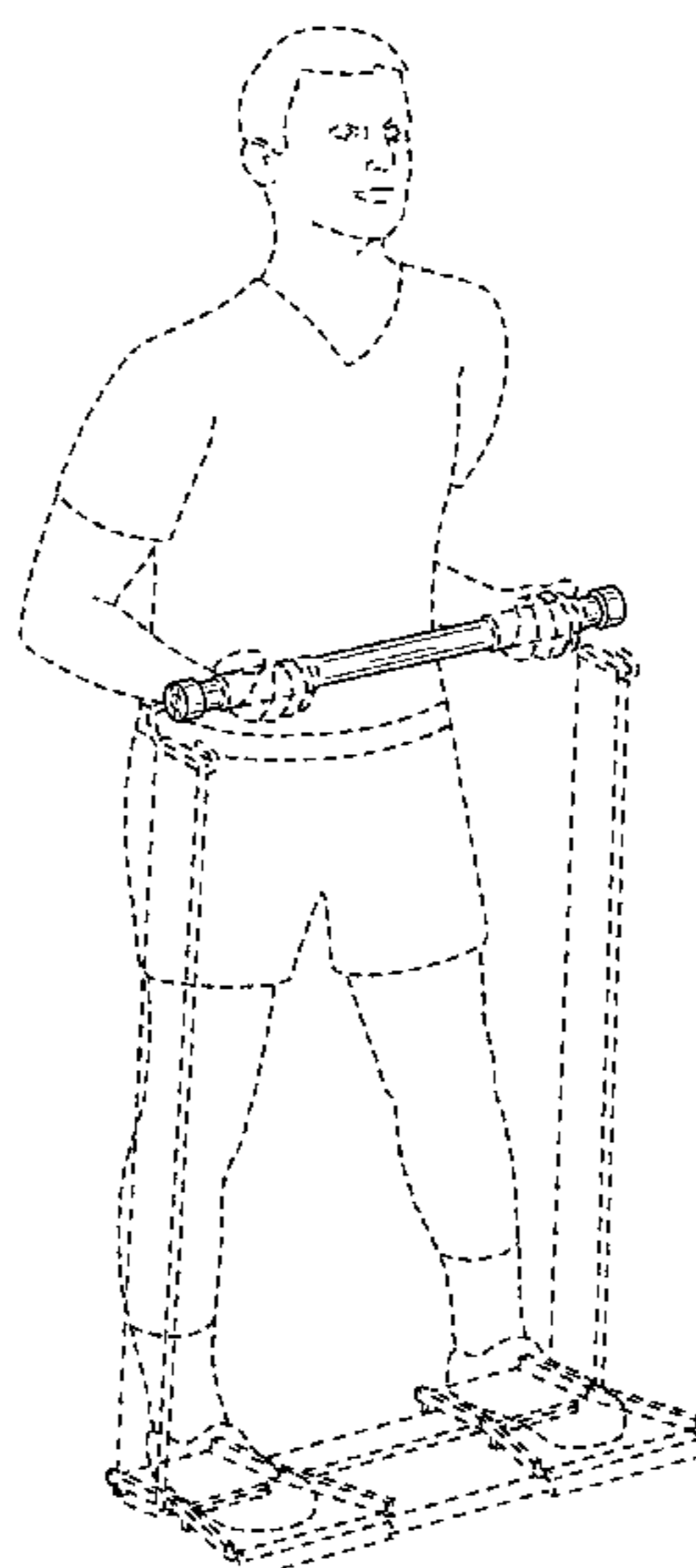
FIG. 7 is a bottom view of the design of FIG. 2;

FIG. 8 is a first enlarged view of FIG. 1; and,

FIG. 9 is a second enlarged view of FIG. 1.

The broken lines depict unclaimed environmental subject matter.

**1 Claim, 8 Drawing Sheets**



(56)

References Cited

U.S. PATENT DOCUMENTS

5,746,687	A *	5/1998	Vial .....	A63B 21/0552	D657,008	S	4/2012	Markovic
				482/125	D670,345	S	11/2012	Guarrasi
5,776,041	A	7/1998	Fisher		D682,374	S	5/2013	Wilkinson
5,885,196	A *	3/1999	Gvoich .....	A63B 21/0004	8,870,722	B2	10/2014	Kassel
				482/122	D723,637	S	3/2015	Mercado
6,203,476	B1	3/2001	Wang et al.		D724,163	S	3/2015	Kelley
6,280,366	B1	8/2001	Hsieh		9,254,405	B1 *	2/2016	Marji .....
D474,818	S	5/2003	Yu		D764,607	S	8/2016	Beckford
D482,748	S	11/2003	Flynt		2002/0137609	A1	9/2002	Rosati
7,052,449	B2	5/2006	Chen		2005/0239617	A1	10/2005	Tenaglia
D526,367	S	8/2006	Loccarini		2007/0207903	A1	9/2007	Csabai
7,175,574	B2	2/2007	Carmel et al.		2007/0207905	A1	9/2007	Winston
7,387,599	B1	6/2008	Hsu		2010/0152002	A1 *	6/2010	Knight .....
D590,457	S	4/2009	Mishan					A63B 21/0552
7,578,775	B2	8/2009	Terry					482/93
7,601,101	B2	10/2009	Jackson		2010/0173760	A1 *	7/2010	Hall .....
D604,374	S	11/2009	Bizzell					A63B 23/03525
7,922,624	B1	4/2011	Fairhurst					482/129
					2014/0038793	A1 *	2/2014	Hetzel .....
								A63B 23/0355
								482/122
					2014/0228180	A1	8/2014	Walker
					2015/0367159	A1	12/2015	Harris

\* cited by examiner

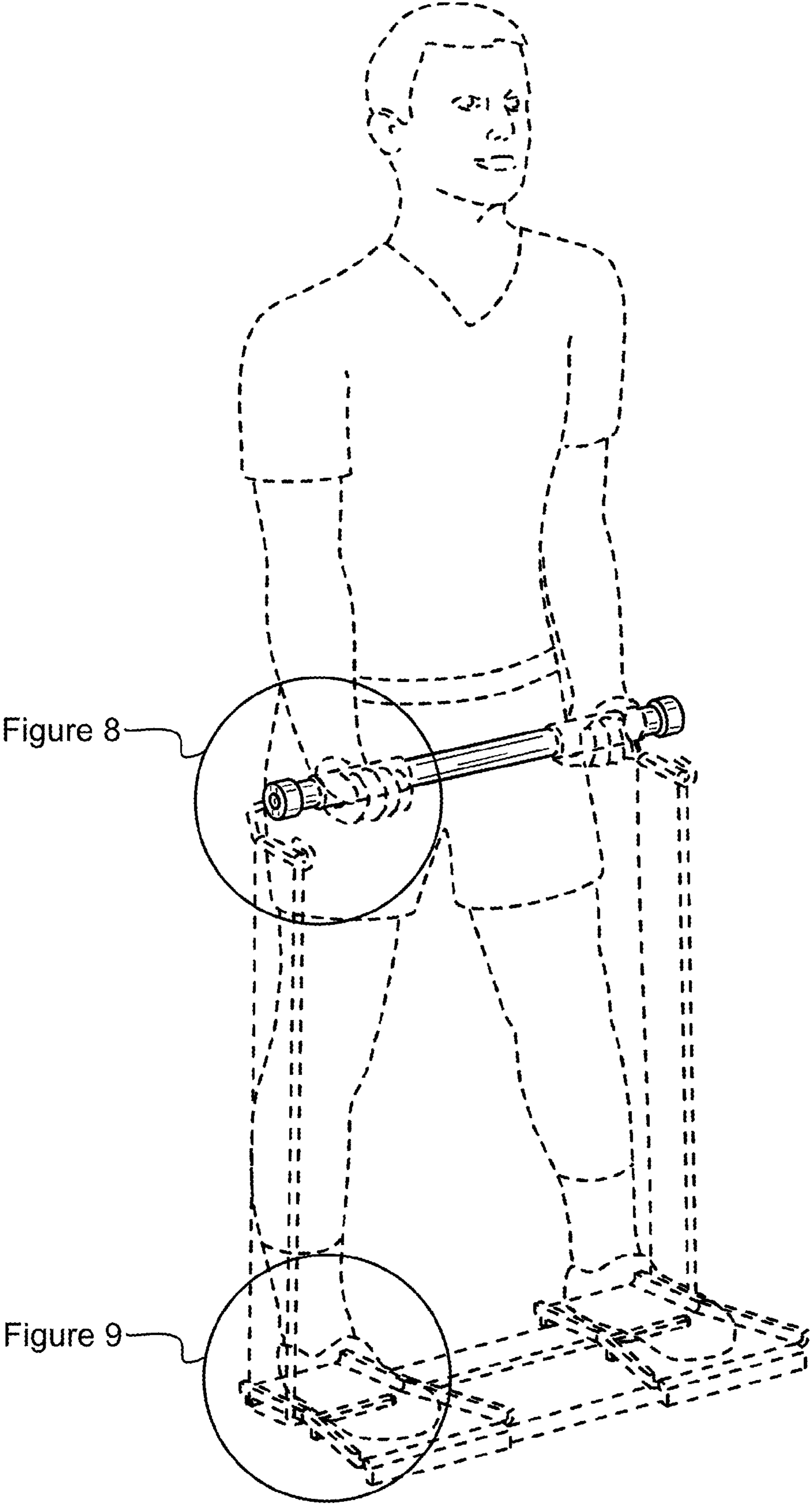


Figure 1

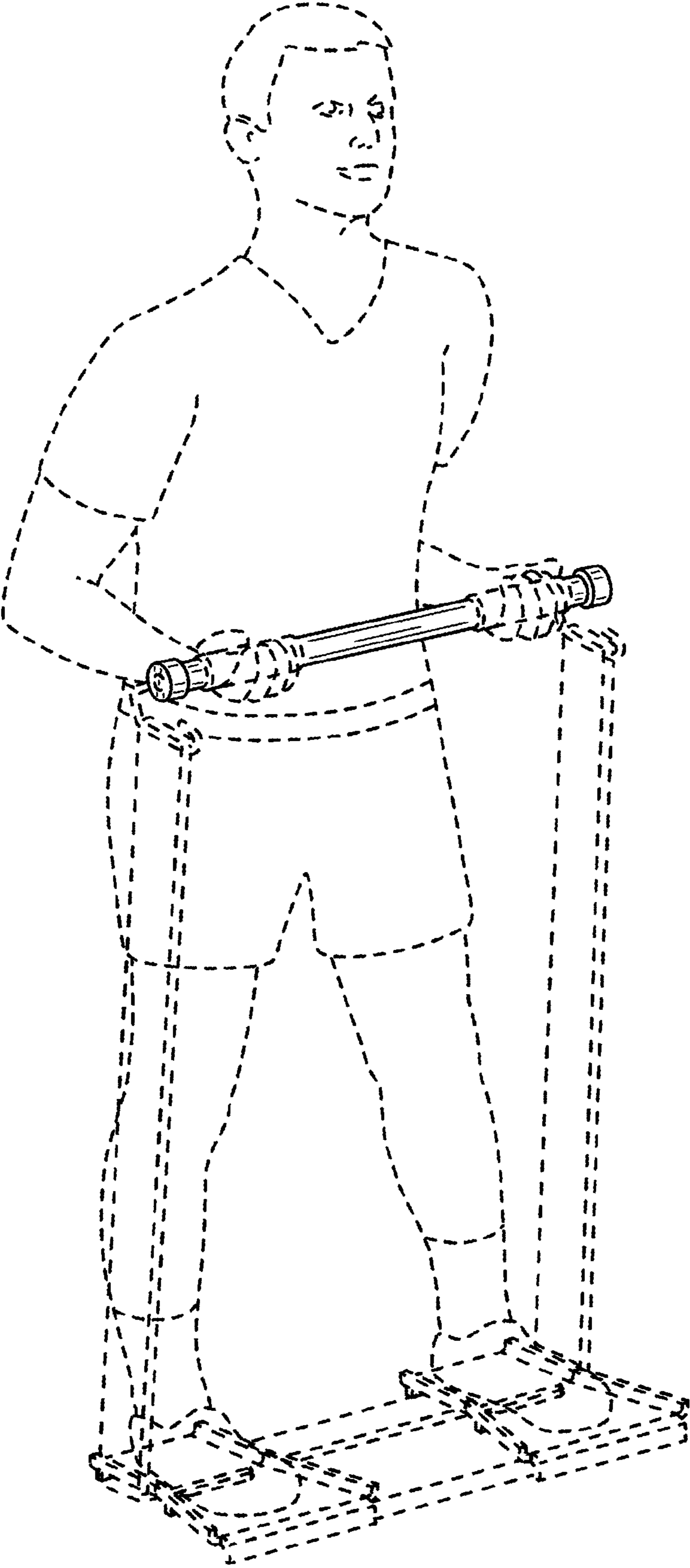


Figure 2

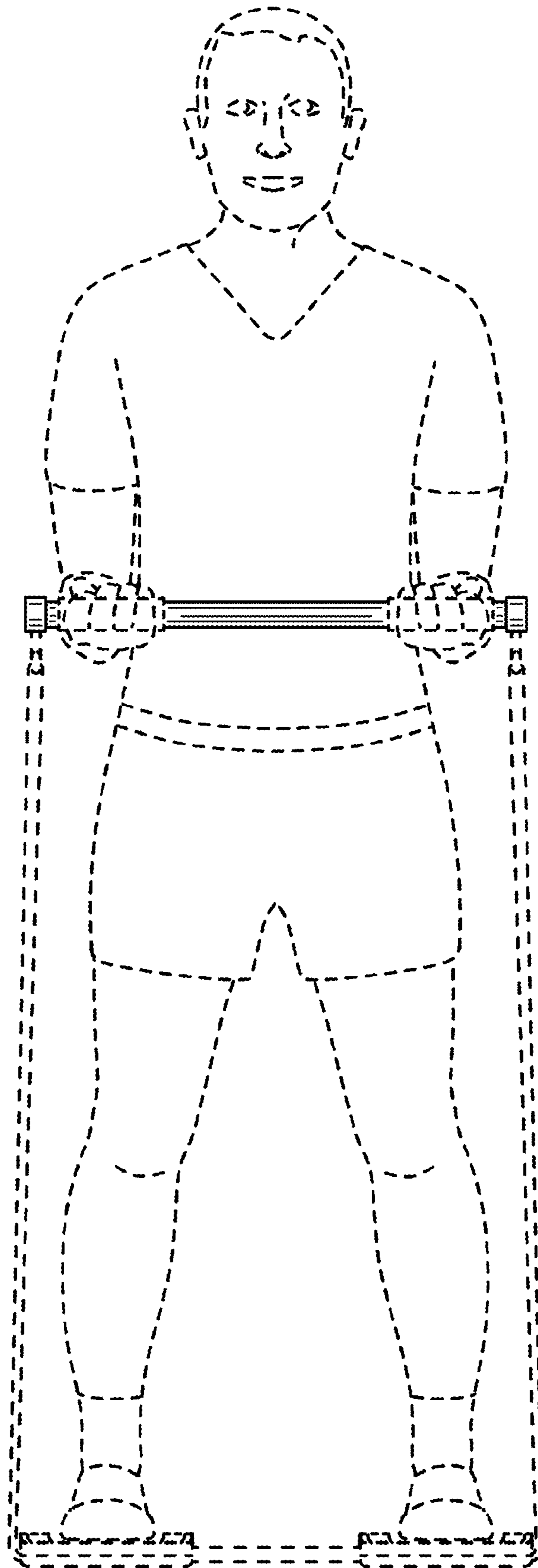


Figure 3



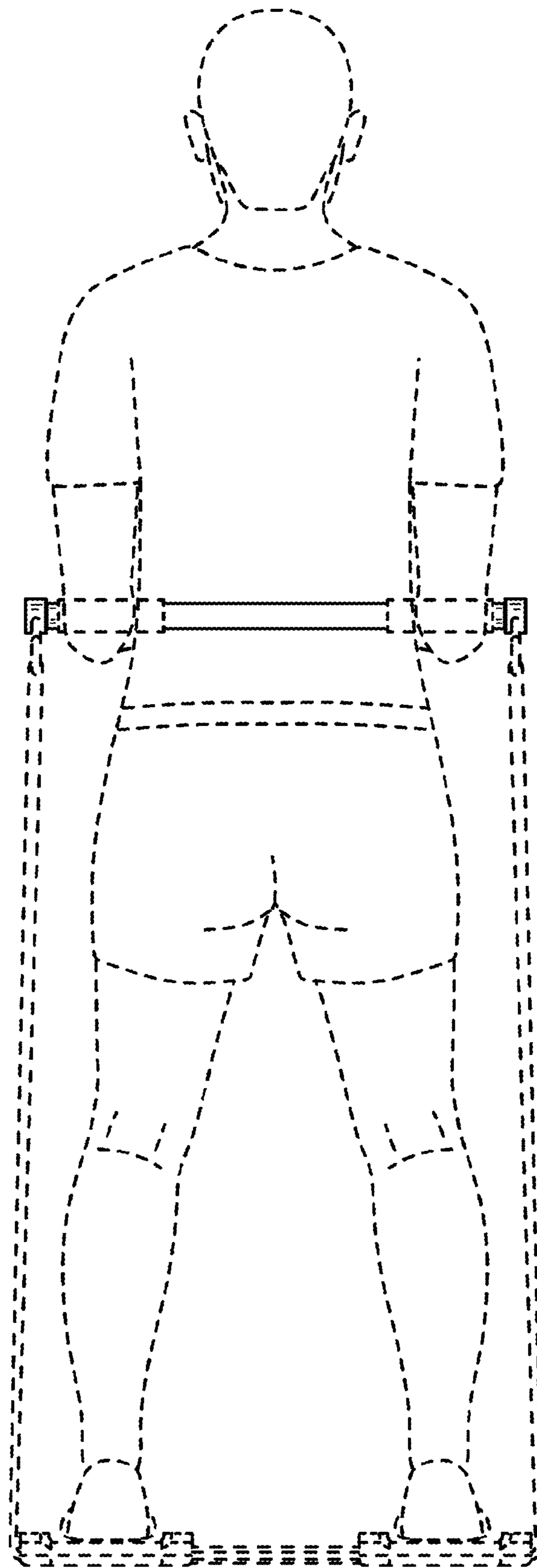


Figure 4

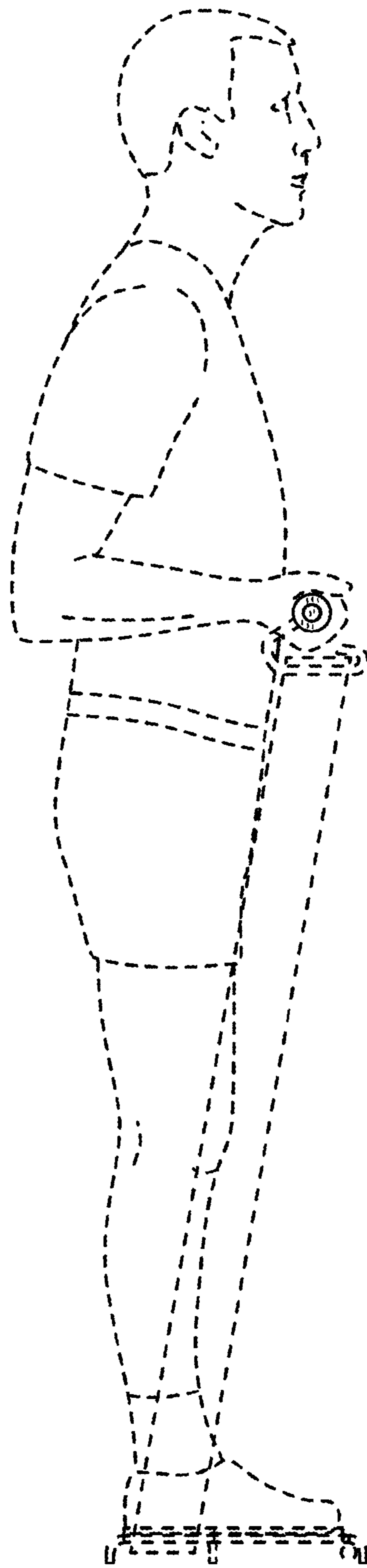


Figure 5

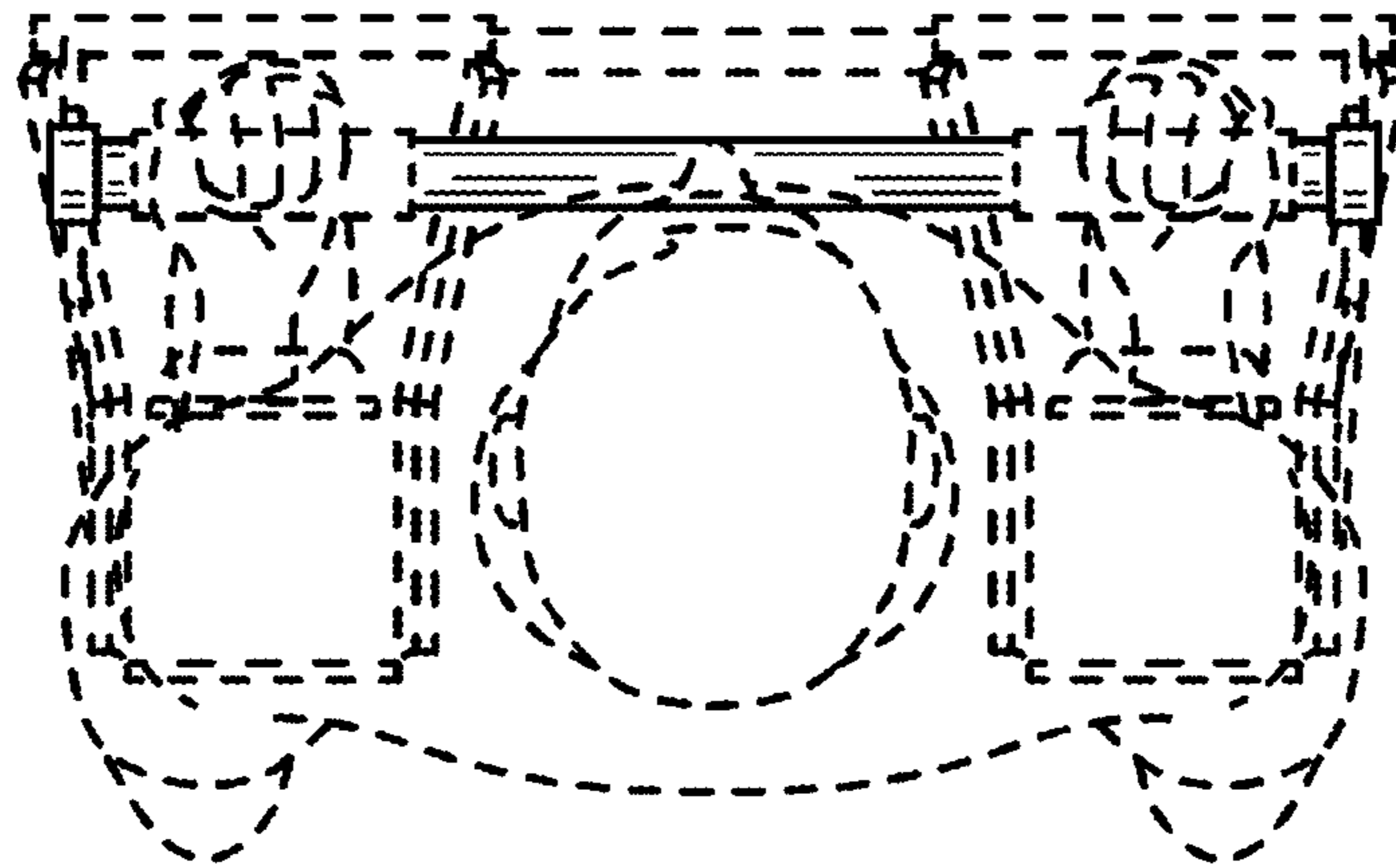


Figure 6

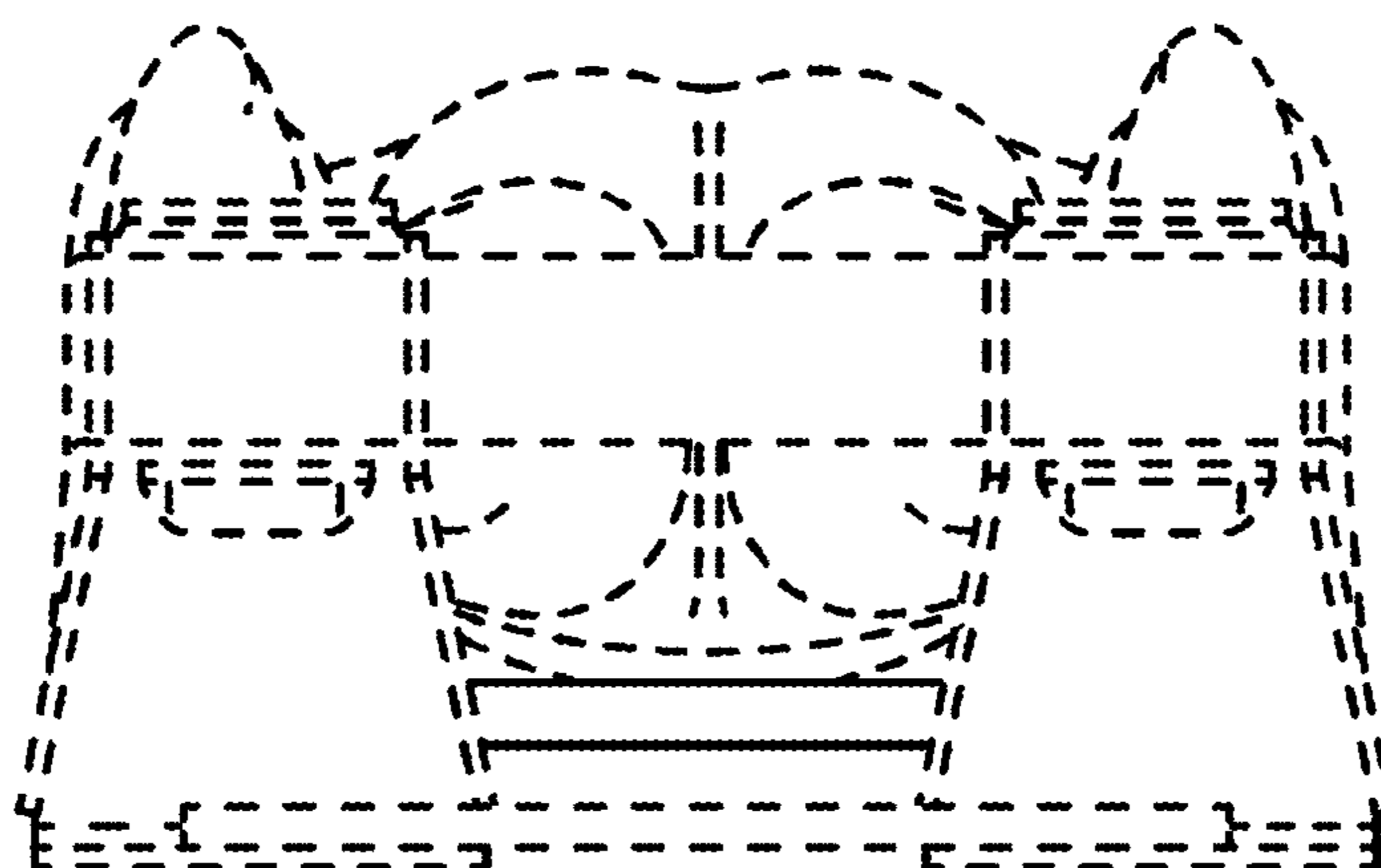


Figure 7



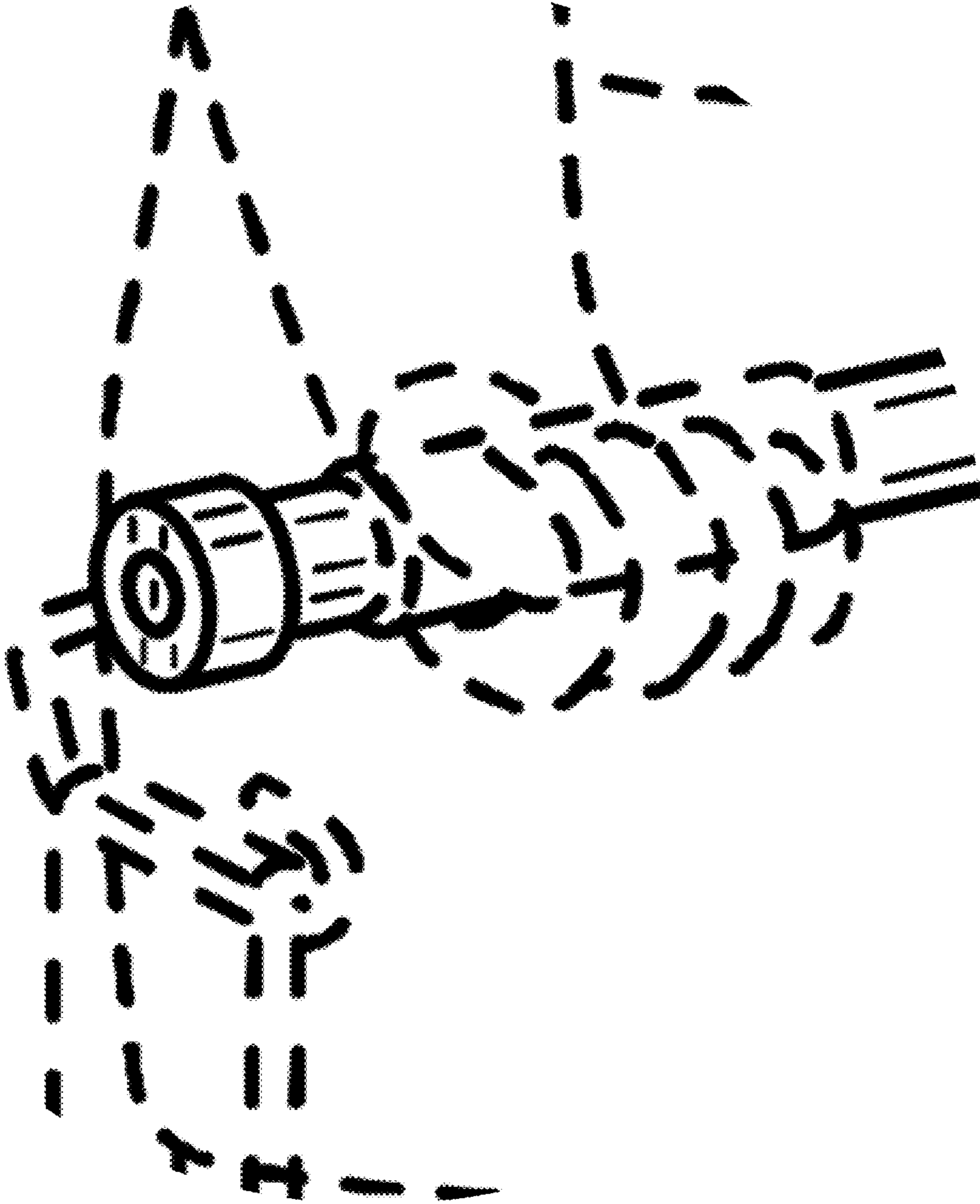


Figure 8

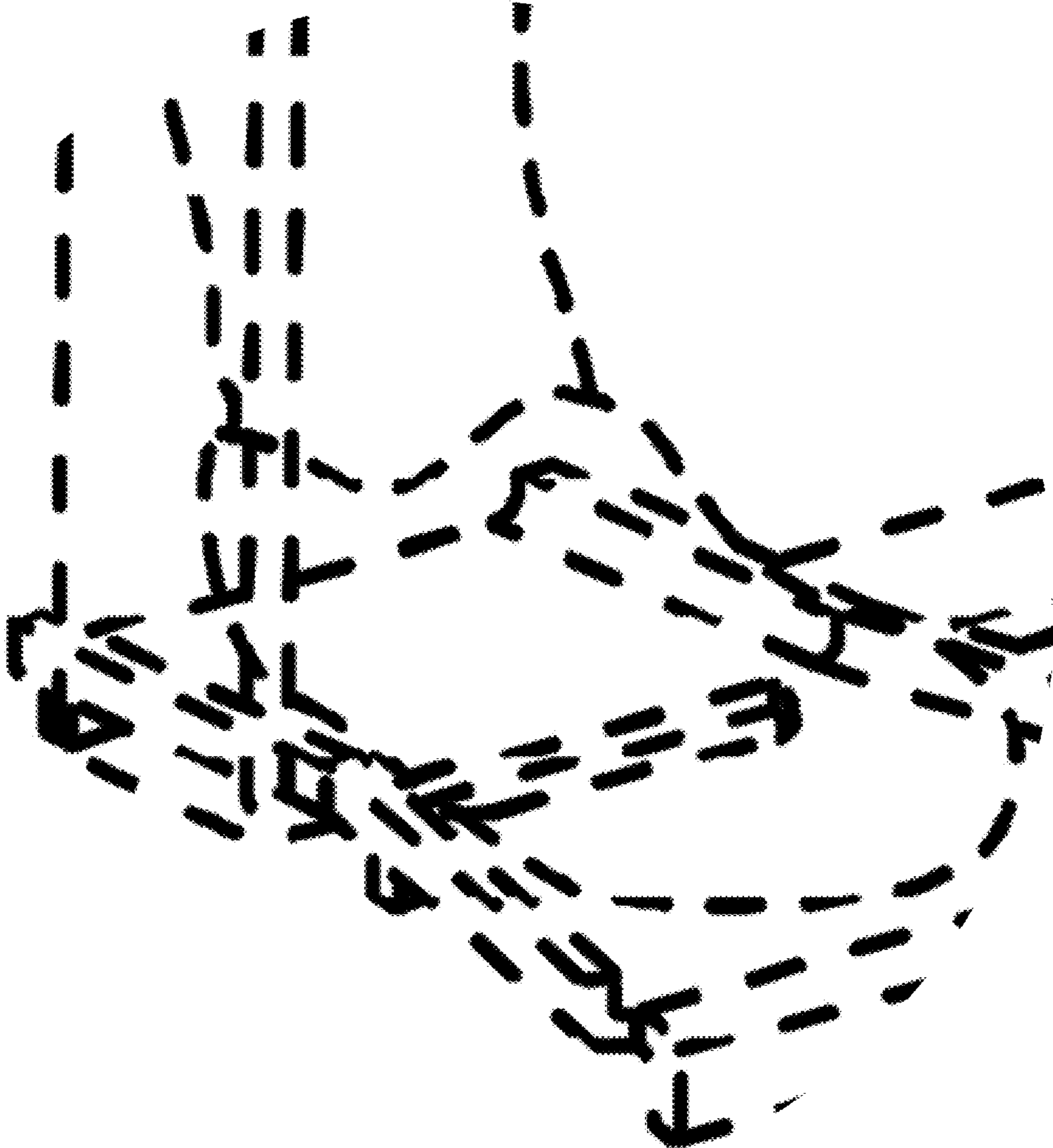


Figure 9

UNITED STATES PATENT AND TRADEMARK OFFICE  
**CERTIFICATE OF CORRECTION**

PATENT NO. : D895,032 S  
APPLICATION NO. : 29/734015  
DATED : September 1, 2020  
INVENTOR(S) : Jaquish et al.

Page 1 of 2

It is certified that error appears in the above-identified patent and that said Letters Patent is hereby corrected as shown below:

The Title page, showing the illustrative figure, should be deleted and substitute therefor the attached Title page.

Signed and Sealed this  
Sixth Day of July, 2021



Drew Hirshfeld  
*Performing the Functions and Duties of the  
Under Secretary of Commerce for Intellectual Property and  
Director of the United States Patent and Trademark Office*

(12) **United States Design Patent** (10) **Patent No.:** **US D895,032 S**  
**Jaquish et al.** (45) **Date of Patent:** **\*\* \*Sep. 1, 2020**

(54) **EXERCISE APPARATUS** 4,200,281 A 4/1980 Wang  
 4,257,592 A 3/1981 Jones  
 4,441,707 A 4/1984 Bosch  
 5,178,596 A 1/1993 McIntire  
 5,197,934 A 3/1993 Wirtz  
 D342,771 S 12/1993 Tandberg  
 D353,419 S 12/1994 Sprague  
 5,514,058 A 5/1996 Buoni  
 5,540,642 A 7/1996 Sprague  
 5,653,665 A 8/1997 Neeley  
 5,688,213 A 11/1997 Recker  
 (Continued)

(71) Applicant: **Jaquish Biomedical Corporation**,  
 Nevada City, CA (US)  
 (72) Inventors: **John Paul Jaquish**, Nevada City, CA  
 (US); **Paul Edward Jaquish**, Nevada  
 City, CA (US)  
 (73) Assignee: **Jaquish Biomedical Corporation**,  
 Nevada City, CA (US)

(\* ) Notice: This patent is subject to a terminal dis-  
 claimer.

(\*\*) Term: **15 Years**

(21) Appl. No.: **29/734,015**

(22) Filed: **May 8, 2020**

**Related U.S. Application Data**

(63) Continuation of application No. 35/001,051, filed on  
 Jul. 17, 2015 (U.S. filing date under 35 U.S.C. 384),  
 and having an international filing date of Jul. 17,  
 2015, which is a continuation of application No.  
 29/515,595, filed on Jan. 23, 2015, now Pat. No. Des.  
 778,374.

(51) **LOC (12) Cl.** ..... **21-02**  
 (52) **U.S. Cl.**  
 USPC ..... **D21/673**

(58) **Field of Classification Search**  
 USPC ..... D21/662, 673, 679  
 CPC ..... A63B 23/0355; A63B 23/03525; A63B  
 21/0552; A63B 21/02; A63B 21/0004  
 See application file for complete search history.

(56) **References Cited**

**U.S. PATENT DOCUMENTS**

1,019,861 A 3/1912 Titus  
 3,193,288 A 7/1965 Vell

**FOREIGN PATENT DOCUMENTS**

EP 2764896 A1 8/2014  
 KR 10200000 5/2000

*Primary Examiner* — George D. Kirschbaum  
 (74) *Attorney, Agent, or Firm* — Morgan, Lewis &  
 Bockius LLP

(57) **CLAIM**

The ornamental design for an exercise apparatus, as shown  
 and described.

**DESCRIPTION**

FIG. 1 is a first perspective view of an exercise apparatus  
 showing our new design;  
 FIG. 2 is a second perspective view thereof;  
 FIG. 3 is a front view of the design of FIG. 2;  
 FIG. 4 is a rear view of the design of FIG. 2;  
 FIG. 5 is a side view of the design of FIG. 2, wherein the  
 opposite side of the exercise apparatus is a mirror image of  
 the side view;  
 FIG. 6 is a top view of the design of FIG. 2;  
 FIG. 7 is a bottom view of the design of FIG. 2;  
 FIG. 8 is a first enlarged view of FIG. 1; and,  
 FIG. 9 is a second enlarged view of FIG. 1.  
 The broken lines depict unclaimed environmental subject  
 matter.

**1 Claim, 8 Drawing Sheets**

