



US00D895025S

(12) **United States Design Patent**  
**Park**

(10) **Patent No.:** **US D895,025 S**

(45) **Date of Patent:** **\*\* Sep. 1, 2020**

(54) **TOY BLOCK**

(71) Applicant: **GYMWORLD INC.**, Seoul (KR)

(72) Inventor: **Kee Young Park**, Seoul (KR)

(73) Assignee: **GYMWORLD INC.**, Seoul (KR)

(\*\*) Term: **15 Years**

(21) Appl. No.: **29/680,968**

(22) Filed: **Feb. 21, 2019**

(30) **Foreign Application Priority Data**

Aug. 22, 2018 (KR) ..... 30-2018-0038881

(51) **LOC (12) Cl.** ..... **21-01**

(52) **U.S. Cl.**  
USPC ..... **D21/502**

(58) **Field of Classification Search**  
USPC ..... D21/478, 479, 484, 485–505  
CPC ..... A63H 33/00; A63H 33/04; A63H 33/06;  
A63H 33/08; A63H 33/10; A63H 33/12;  
A63H 33/14; A63F 9/08; A63F 9/12;  
G09B 1/36  
See application file for complete search history.

(56) **References Cited**

**U.S. PATENT DOCUMENTS**

D723,108 S \* 2/2015 Schutt ..... D21/484  
D797,204 S \* 9/2017 Liu ..... D21/504

D807,968 S \* 1/2018 Hu ..... D21/501  
D807,969 S \* 1/2018 Hu ..... D21/501  
D810,208 S \* 2/2018 Liu ..... D21/504  
D810,837 S \* 2/2018 Liu ..... D21/504  
2017/0036132 A1\* 2/2017 Yang ..... A63H 33/086

\* cited by examiner

*Primary Examiner* — Cynthia M. Chin

(74) *Attorney, Agent, or Firm* — Korus Patent, LLC;  
Seong Il Jeong

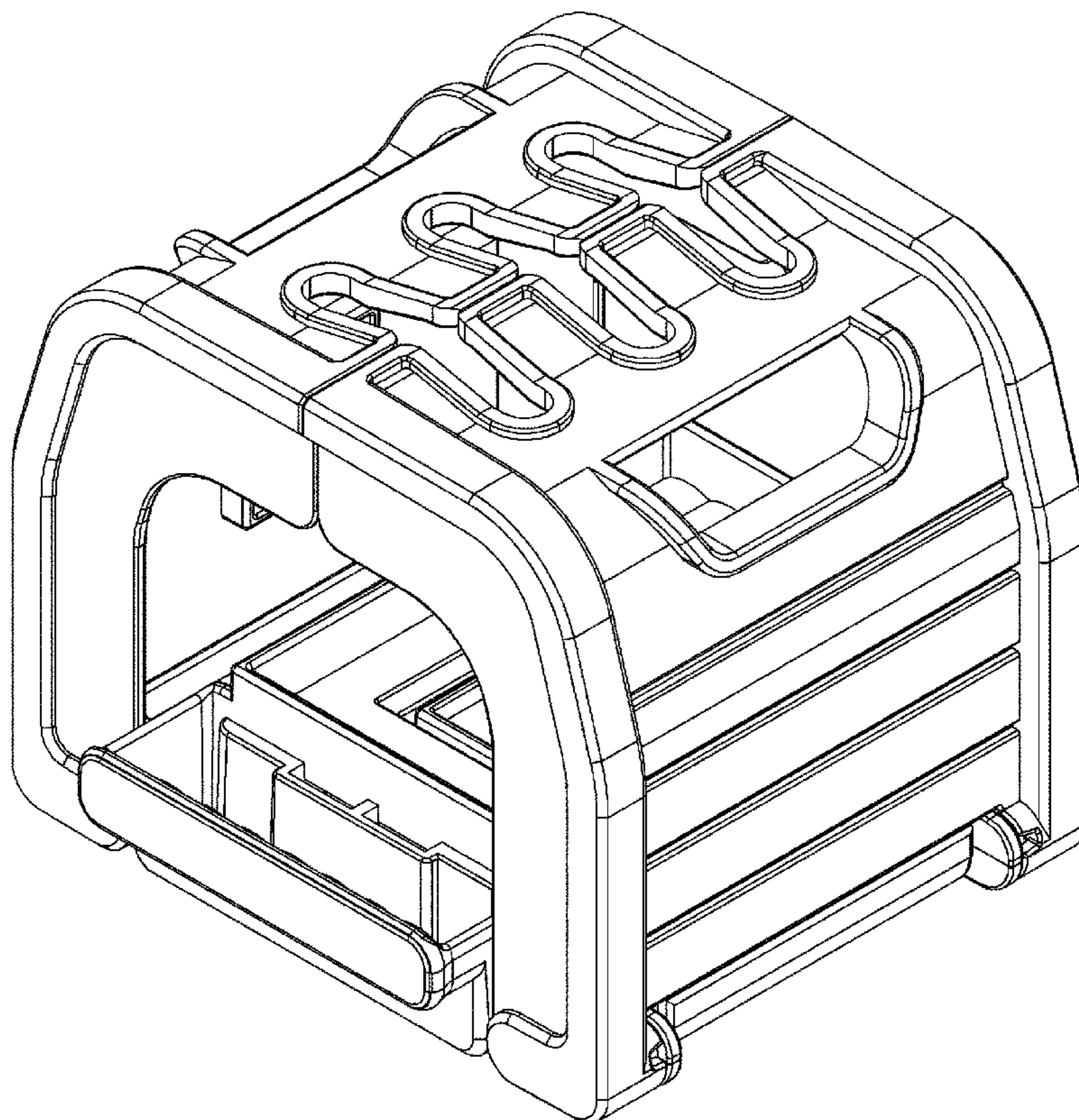
(57) **CLAIM**

The ornamental design for a toy block, as shown and described.

**DESCRIPTION**

FIG. 1 is a front perspective view of a toy block according to the present design;  
FIG. 2 is a front elevation view thereof;  
FIG. 3 is a rear elevation view thereof;  
FIG. 4 is a left side view thereof;  
FIG. 5 is a right side view thereof;  
FIG. 6 is a top plan view thereof; and,  
FIG. 7 is a bottom plan view thereof.  
The broken lines are for the purpose of illustrating portions of the article that form no part of the claimed design.

**1 Claim, 7 Drawing Sheets**



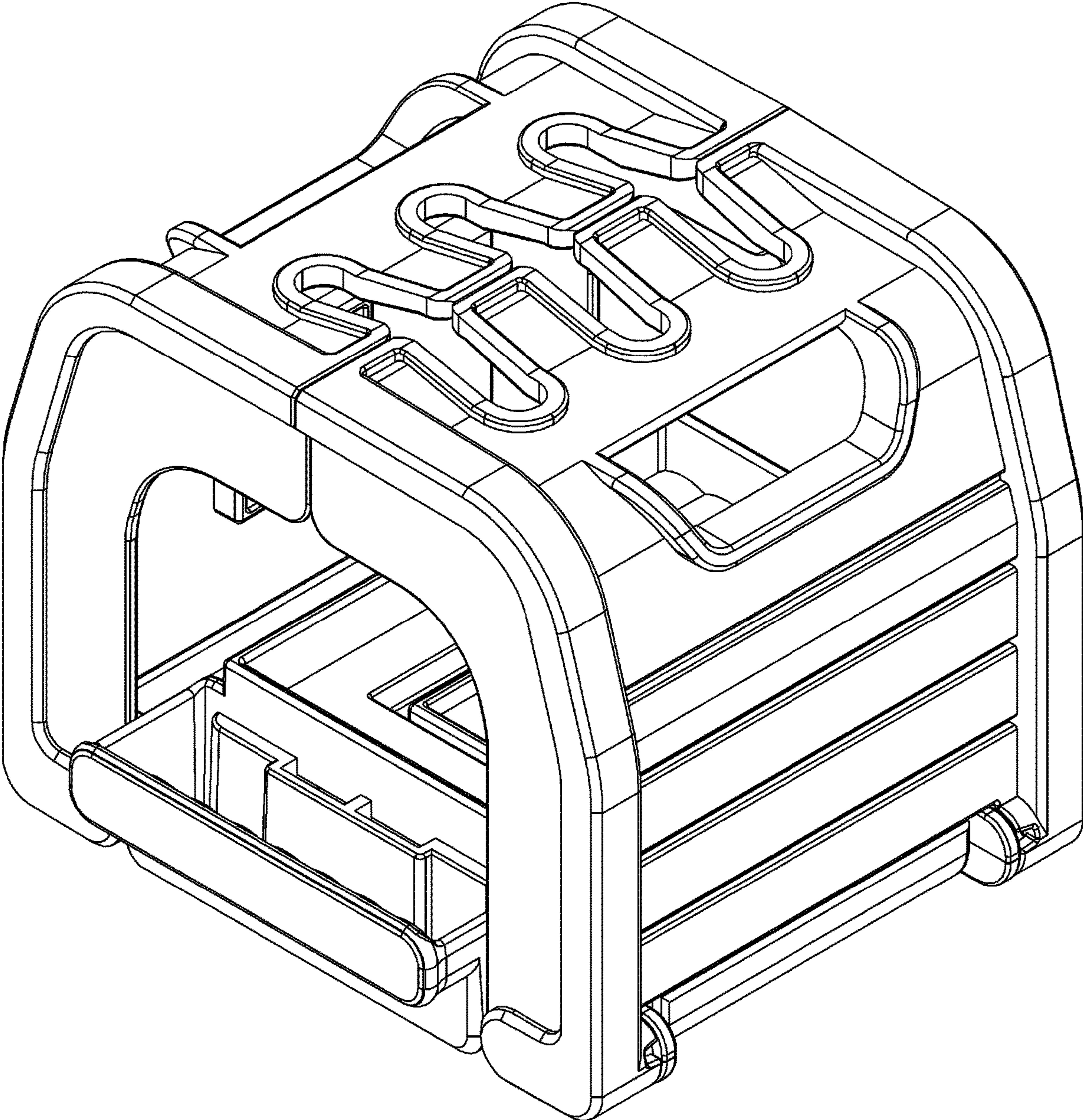


FIG. 1

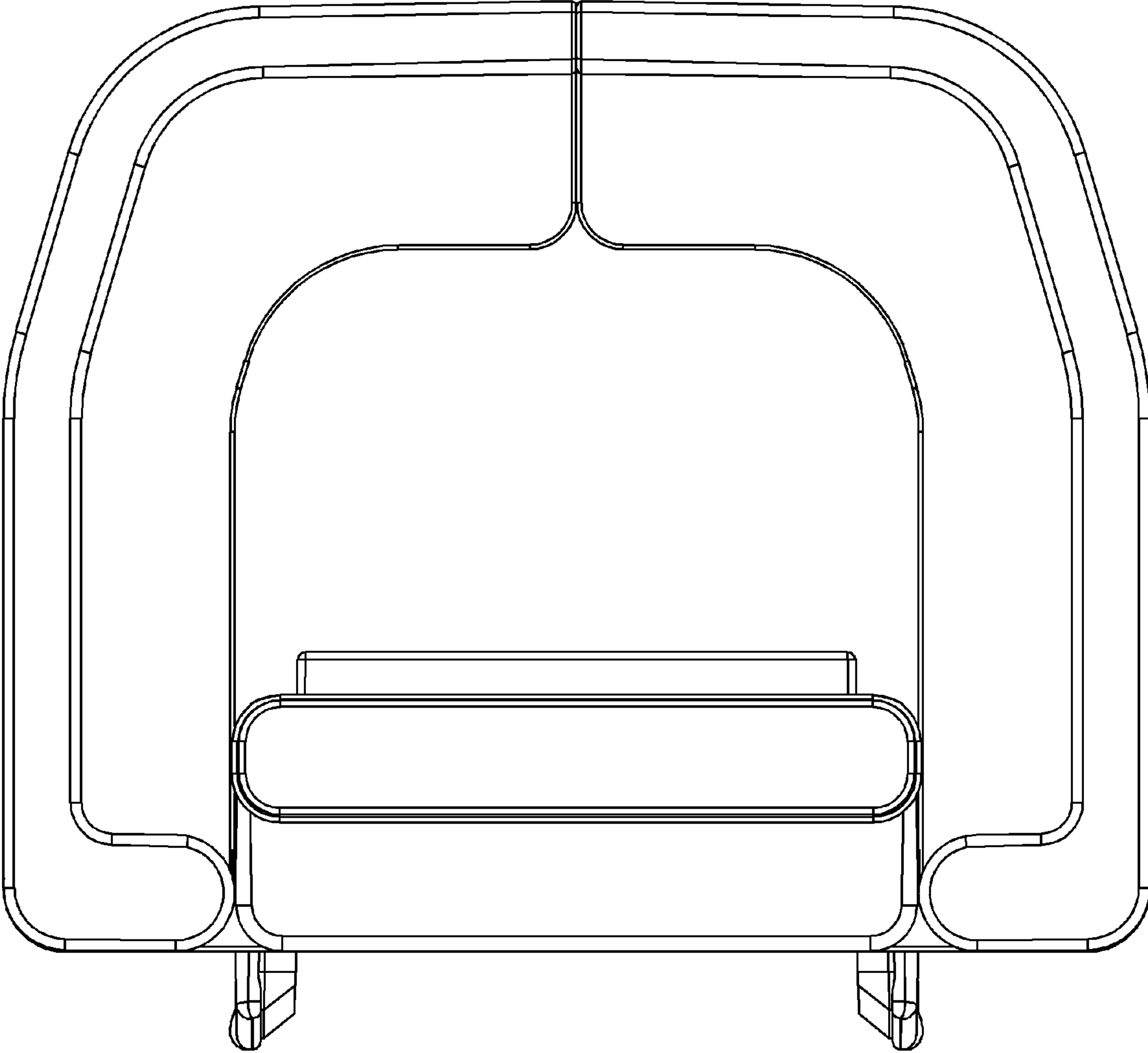


FIG. 2



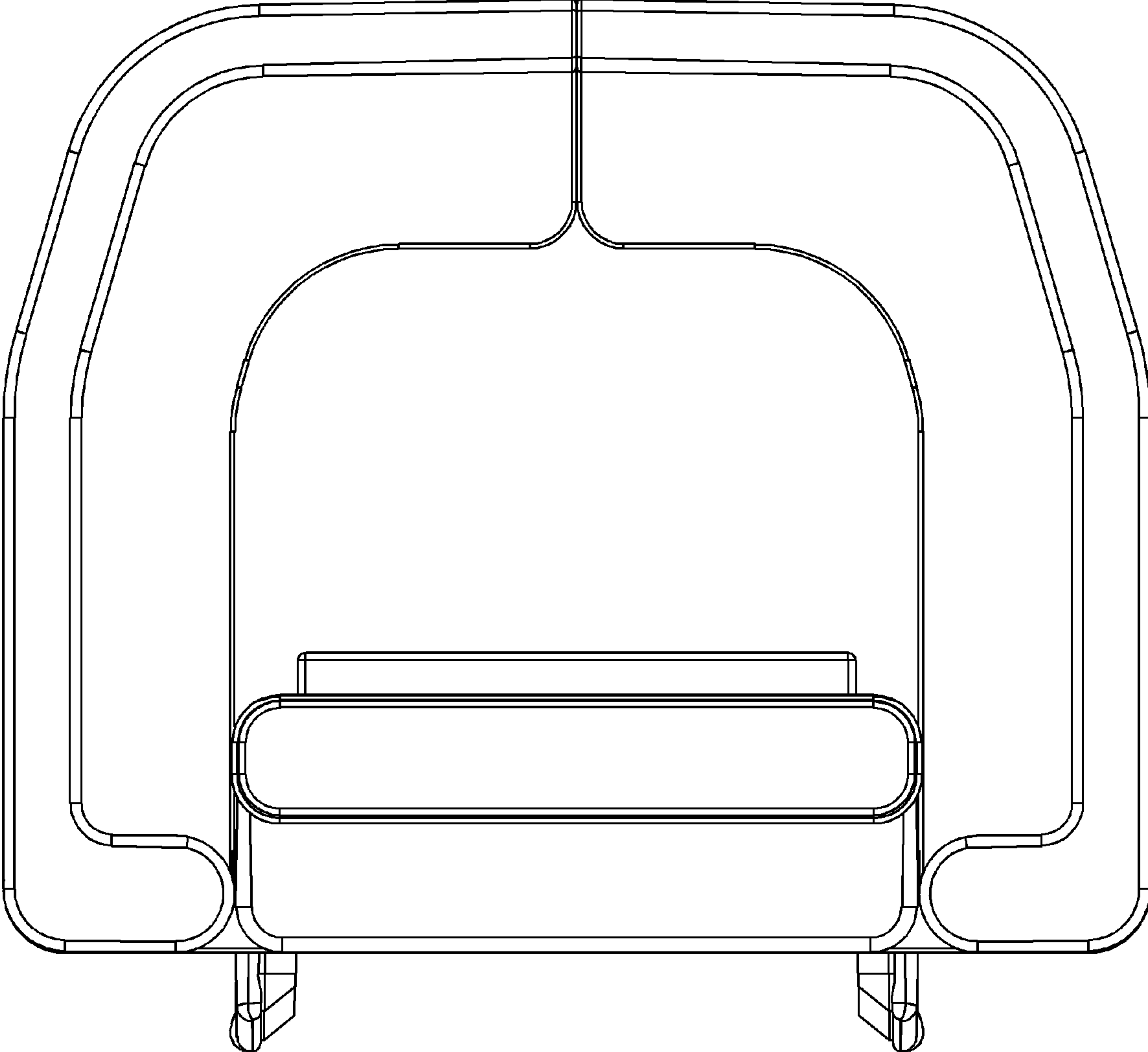


FIG. 3

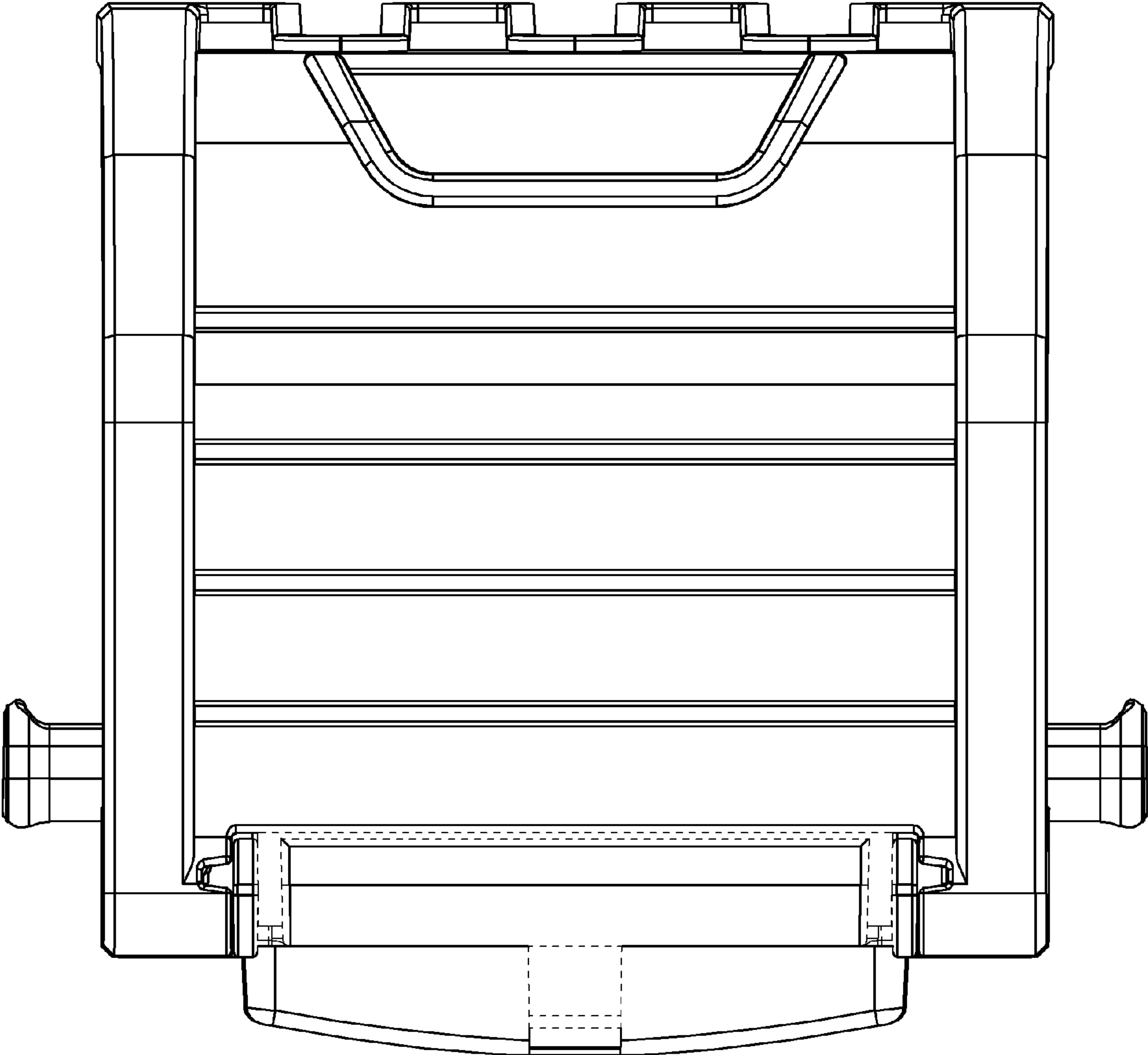


FIG. 4

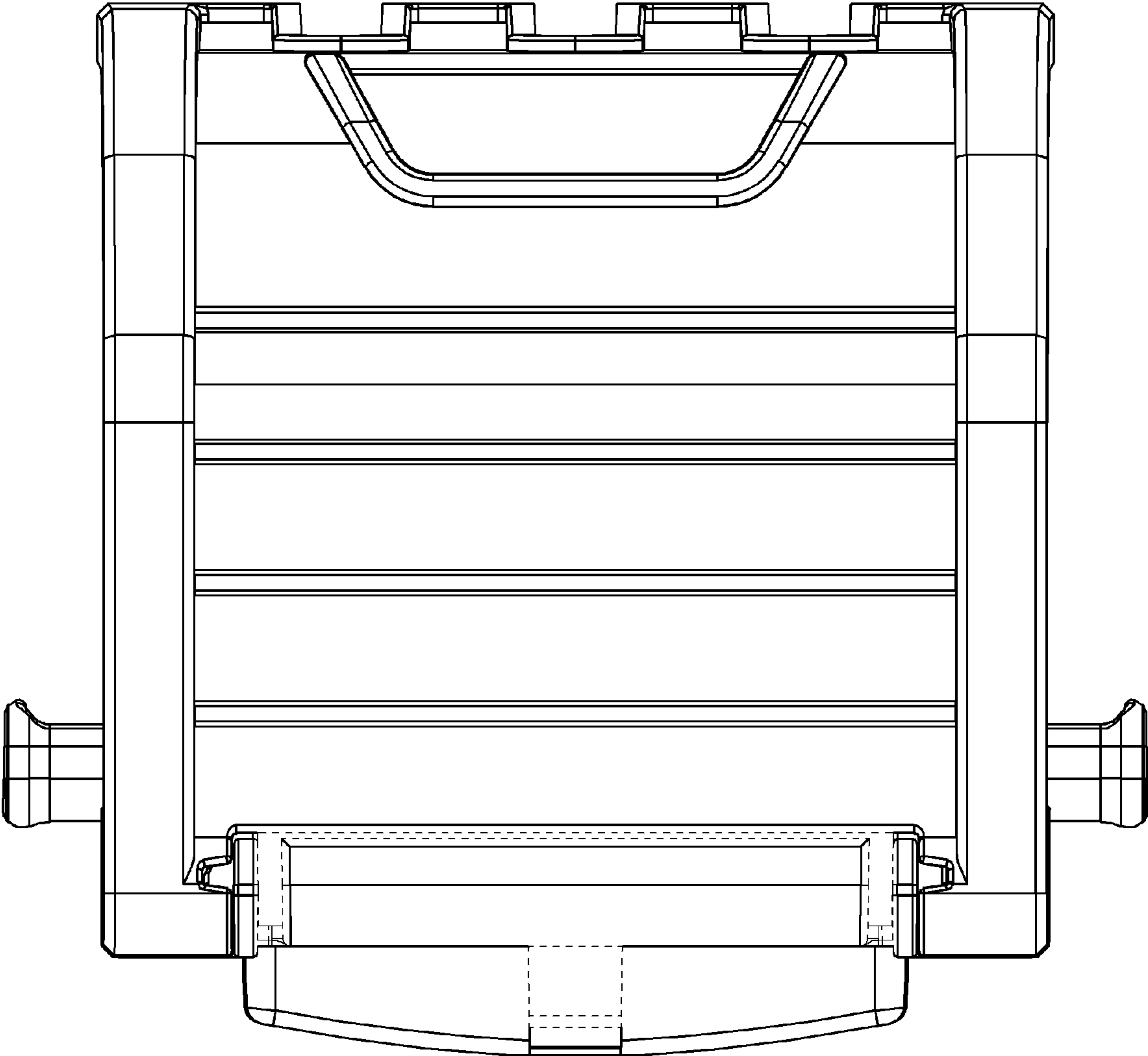


FIG. 5

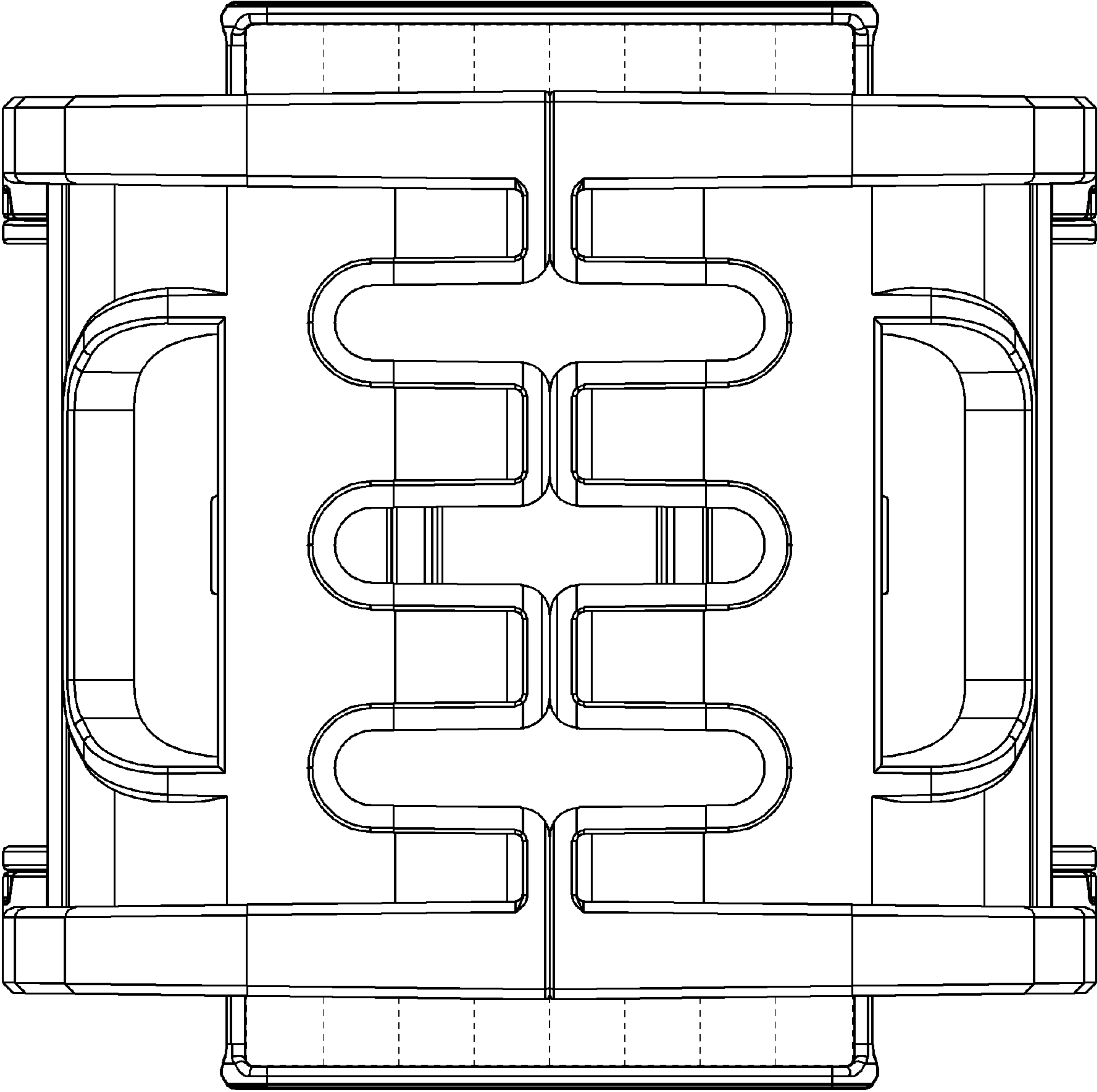


FIG. 6

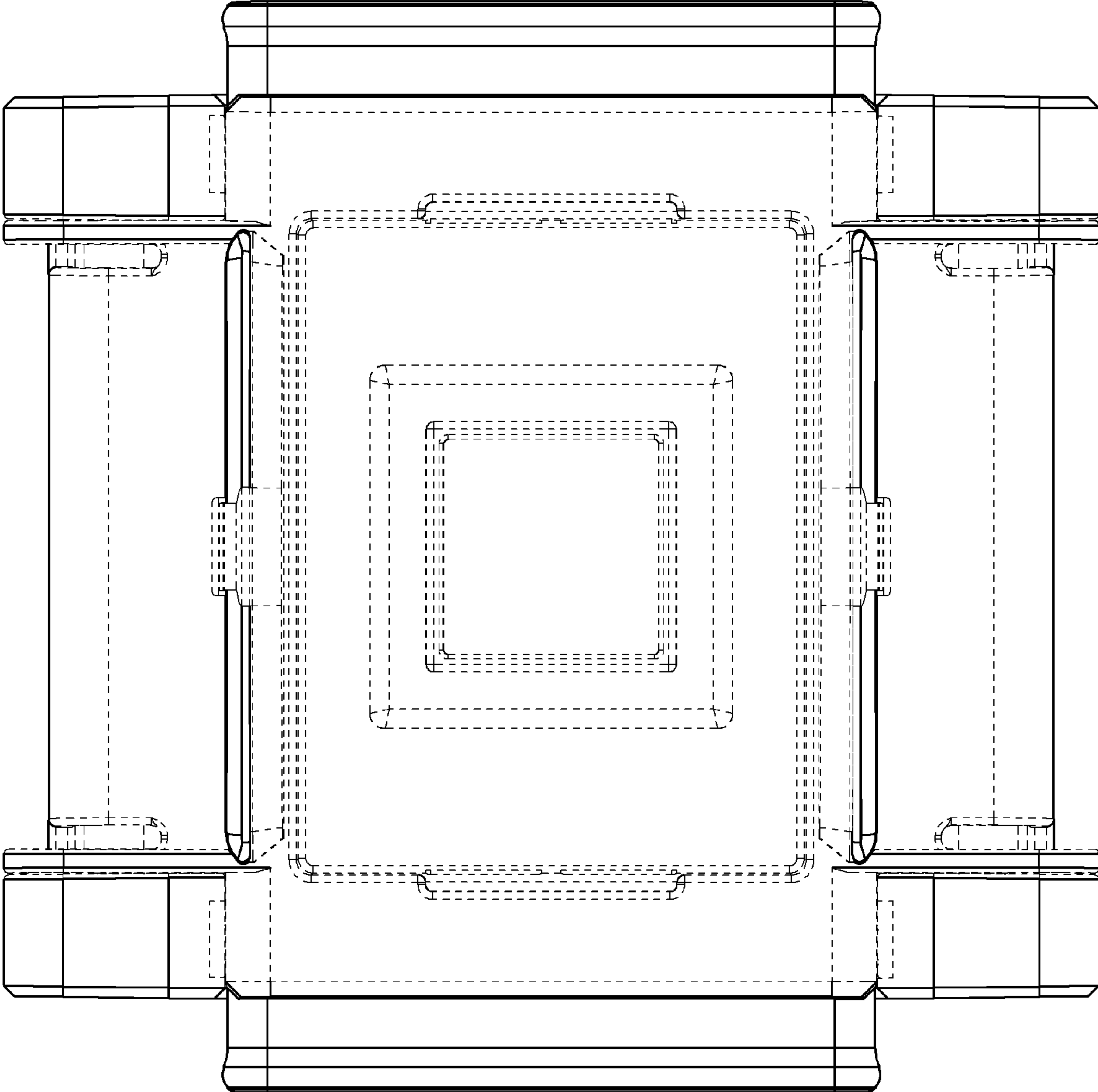


FIG. 7