



US00D895024S

(12) **United States Design Patent** (10) **Patent No.:** **US D895,024 S**
Beaulieu (45) **Date of Patent:** **** Sep. 1, 2020**

(54) **CONSTRUCTION SET ELEMENT**

FOREIGN PATENT DOCUMENTS

(71) Applicant: **Mattel-MEGA Holdings (US), LLC**,
El Segundo, CA (US)

DE 2843679 A1 4/1979
GB 1012305 A1 12/1965
GB 2469543 A1 10/2010

(72) Inventor: **Louis-Philippe Beaulieu**, Montreal
(CA)

OTHER PUBLICATIONS

(73) Assignee: **Mattel-MEGA Holdings (US), LLC**,
El Segundo, CA (US)

“The Flexo System”, Apr. 5, 2017, 2 pages. Retrieved from Internet:
<<https://web.archive.org/web/20170405225431/https://www.flexo.nz/about/>>.

(Continued)

(**) Term: **15 Years**

Primary Examiner — Cynthia M. Chin

(21) Appl. No.: **29/639,902**

(74) *Attorney, Agent, or Firm* — Plumsea Law Group,
LLC

(22) Filed: **Mar. 9, 2018**

(51) **LOC (12) Cl.** **21-01**

(57) **CLAIM**

(52) **U.S. Cl.**

The ornamental design for a construction set element, as shown and described.

USPC **D21/488**

(58) **Field of Classification Search**

USPC D21/386, 389, 404, 468, 470, 471,
D21/484–505

CPC A63H 33/00; A63H 33/04; A63H 33/044;
A63H 33/06; A63H 33/08; A63H 33/082;
A63H 33/084; A63H 33/086; A63H
33/088; A63H 33/10; A63H 33/12; A63H
33/105; A63H 33/108; A63H 3/00; A63H
3/16; A63H 3/46; E04C 1/00; E04C 1/40;
E04B 2/14; E04B 2/16; E04B 2/18
See application file for complete search history.

DESCRIPTION

FIG. 1 is a top front isometric perspective view of a construction set element showing the new design; FIG. 2 is a top plan view thereof; FIG. 3 is a side elevational view thereof; FIG. 4 is an opposite side elevational view thereof; FIG. 5 is a front elevational view thereof; FIG. 6 is a rear elevational view thereof; FIG. 7 is a bottom plan view thereof; FIG. 8 is a cross-sectional view thereof, taken along line 8-8 of FIG. 2; and, FIG. 9 is a cross-sectional view thereof, taken along line 9-9 of FIG. 2.

The evenly-spaced broken lines and unshaded surfaces are included to identify parts of the article's appearance that form no part of the claimed design. The long and short broken lines define the bounds of the claimed design and form no part thereof. The various directional adjectives used

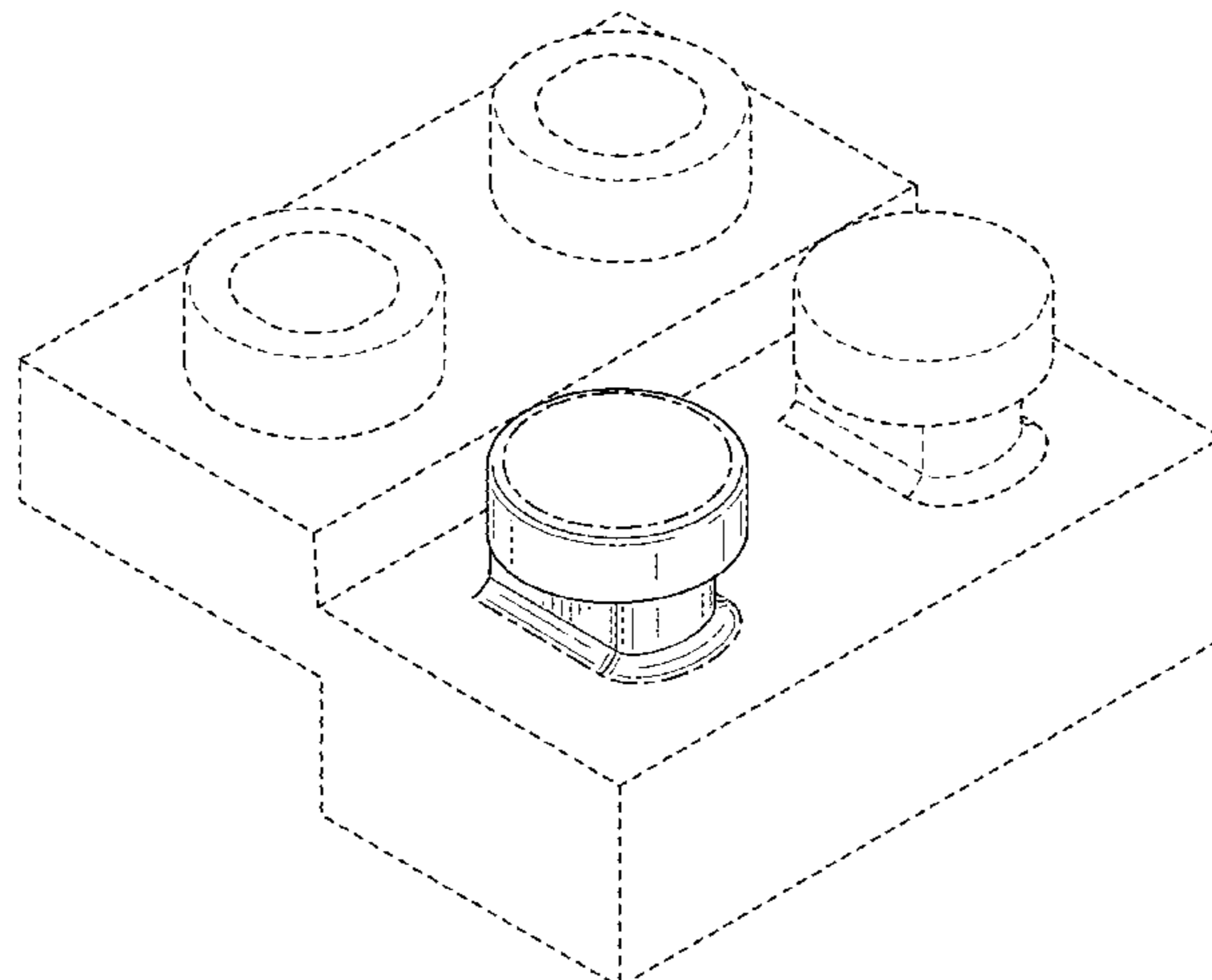
(Continued)

(56) **References Cited**

U.S. PATENT DOCUMENTS

2,175,942 A 10/1939 Longenecker
2,791,868 A 5/1957 Viken
3,242,610 A 3/1966 Christiansen
3,591,973 A * 7/1971 Fischer A63H 33/082
446/127
3,670,449 A 6/1972 Lemkin et al.

(Continued)



in this specification, such as “front,” “rear,” “side,” “top,” and “bottom,” refer to the construction set element as illustrated.

1 Claim, 6 Drawing Sheets

(56)

References Cited

U.S. PATENT DOCUMENTS

4,037,978 A * 7/1977 Connelly F16B 7/04
403/164

4,214,403 A 7/1980 Knudsen
D291,100 S 7/1987 Knudsen
4,919,268 A 4/1990 Young et al.
D326,877 S 6/1992 Andersen
5,199,919 A * 4/1993 Glickman A63H 33/062
446/120

5,964,635 A * 10/1999 Krog A63H 33/101
446/116

6,050,873 A * 4/2000 Reisman A63H 33/062
446/121

6,068,533 A 5/2000 Glickman et al.
6,231,416 B1 5/2001 Clever et al.
6,422,909 B2 7/2002 Clever et al.
6,592,421 B1 7/2003 Clever
7,040,949 B2 5/2006 Slocum
D537,485 S 2/2007 Ganderton
8,109,803 B2 2/2012 Kichijo et al.

8,197,297 B2 6/2012 Shimizu
8,435,095 B1 5/2013 Abbas
D695,851 S 12/2013 Holm
D701,925 S 4/2014 Jensen
8,808,051 B2 8/2014 Wei
D754,260 S 4/2016 Chen et al.
D771,199 S 11/2016 Ryaa
10,130,892 B2 * 11/2018 Chesser A63H 33/101

2003/0203702 A1 10/2003 Germerodt et al.
2004/0116037 A1 * 6/2004 Garpow A63H 33/08
446/74

2006/0025034 A1 2/2006 Slocum
2008/0075528 A1 * 3/2008 Marzetta A63H 33/042
403/238

2008/0136098 A1 6/2008 Yang
2012/0324708 A1 12/2012 Minin
2015/0202542 A1 * 7/2015 Sze A63H 33/062
446/90

2015/0290550 A1 * 10/2015 Rodstein A63H 33/082
446/127

2015/0314211 A1 * 11/2015 Lama A63H 33/46
446/97

2017/0157523 A1 * 6/2017 Jabr A63H 33/046
2017/0274295 A1 * 9/2017 Liu A63H 33/08
2020/0061484 A1 2/2020 Beaulieu et al.

OTHER PUBLICATIONS

Office Action dated Feb. 25, 2019 in U.S. Appl. No. 15/916,922.

* cited by examiner

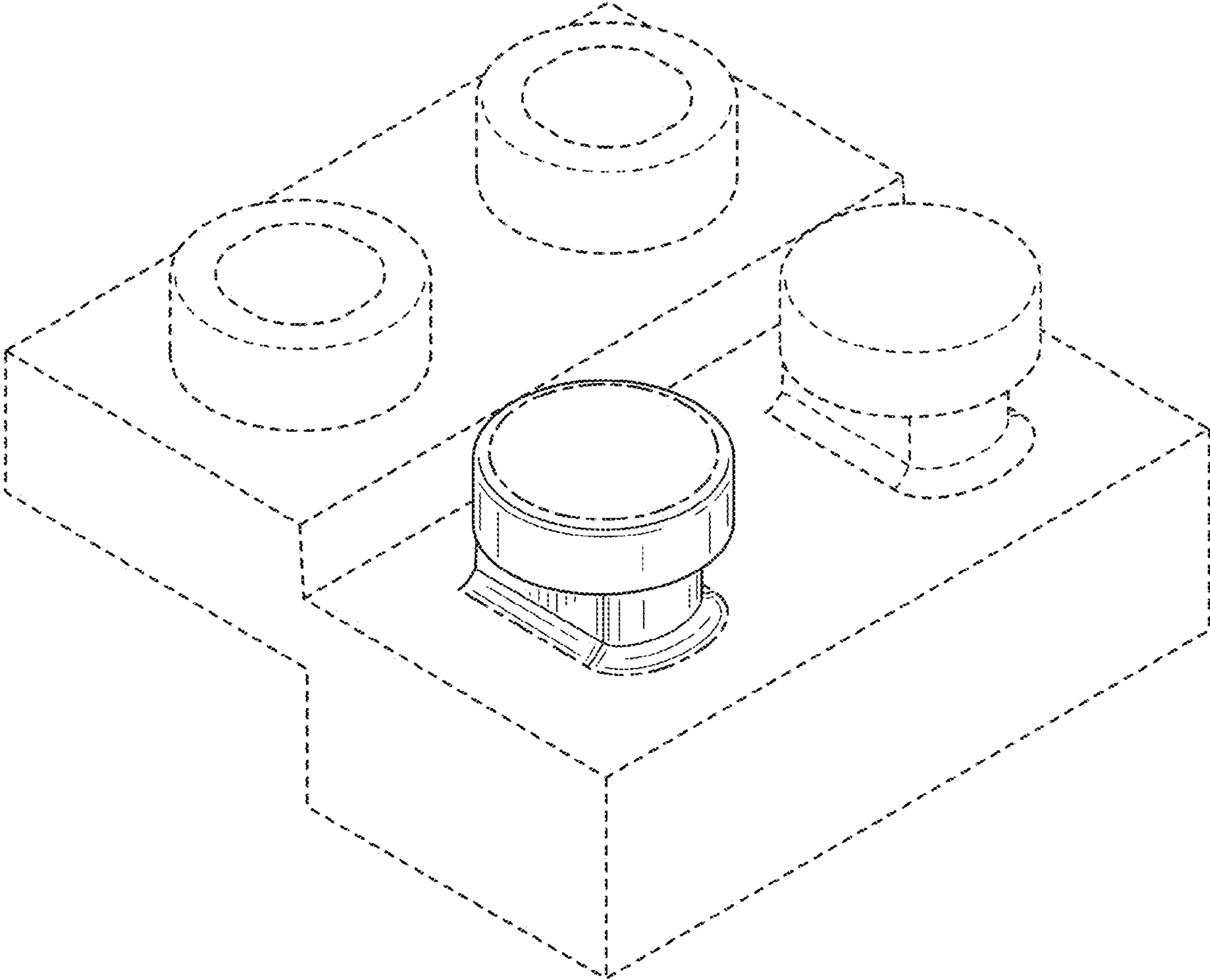


FIG. 1

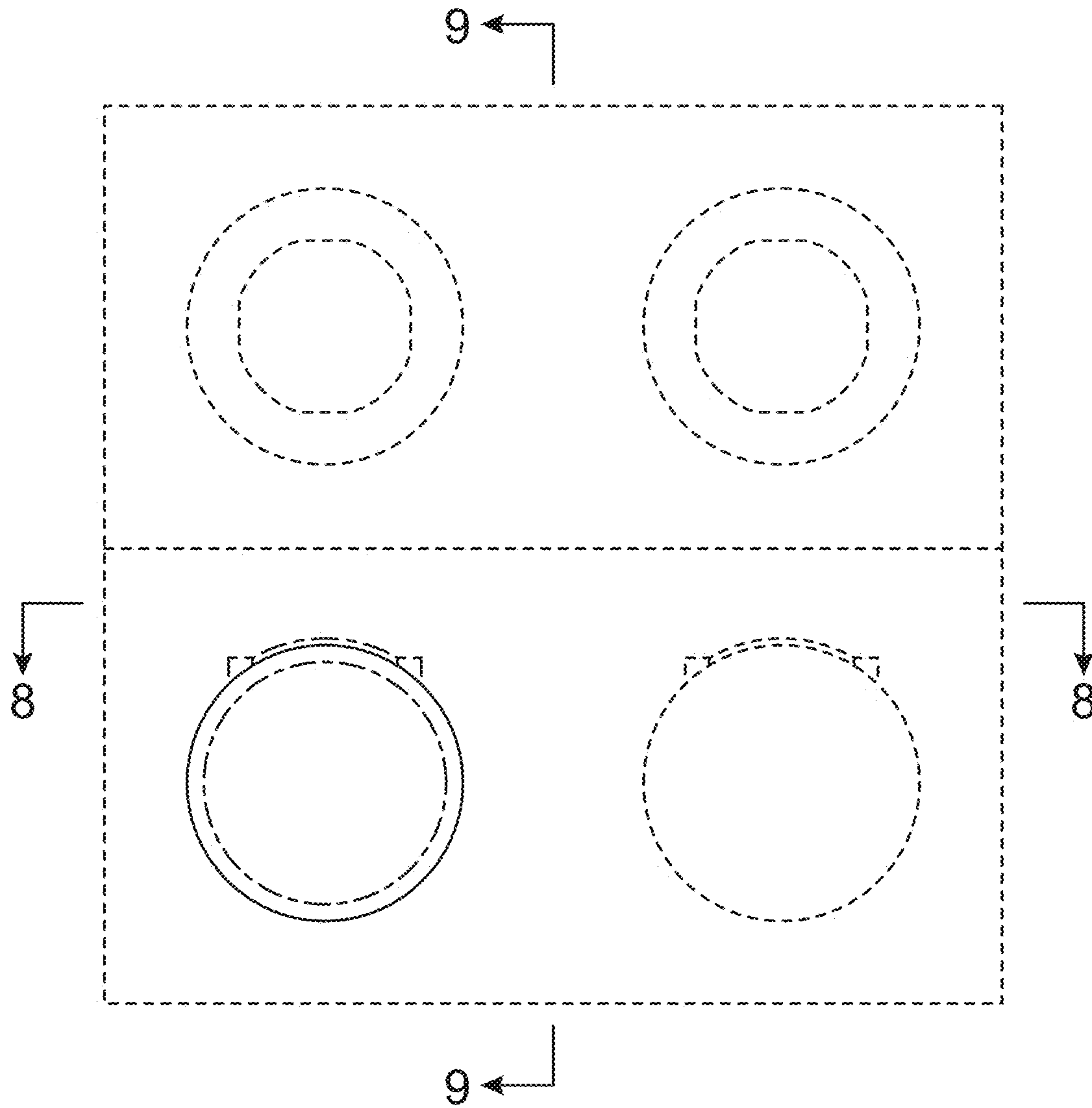


FIG. 2

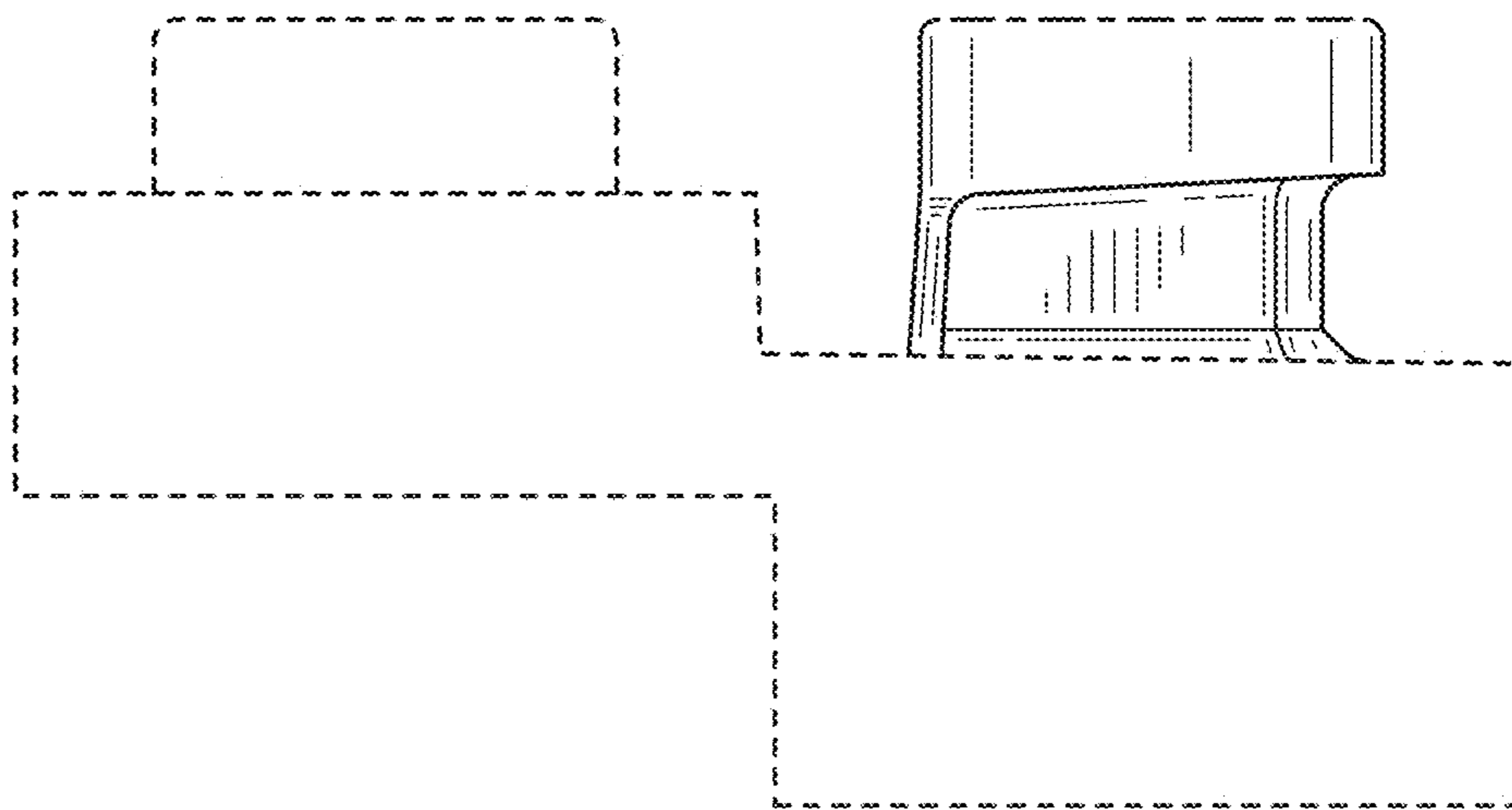


FIG. 3

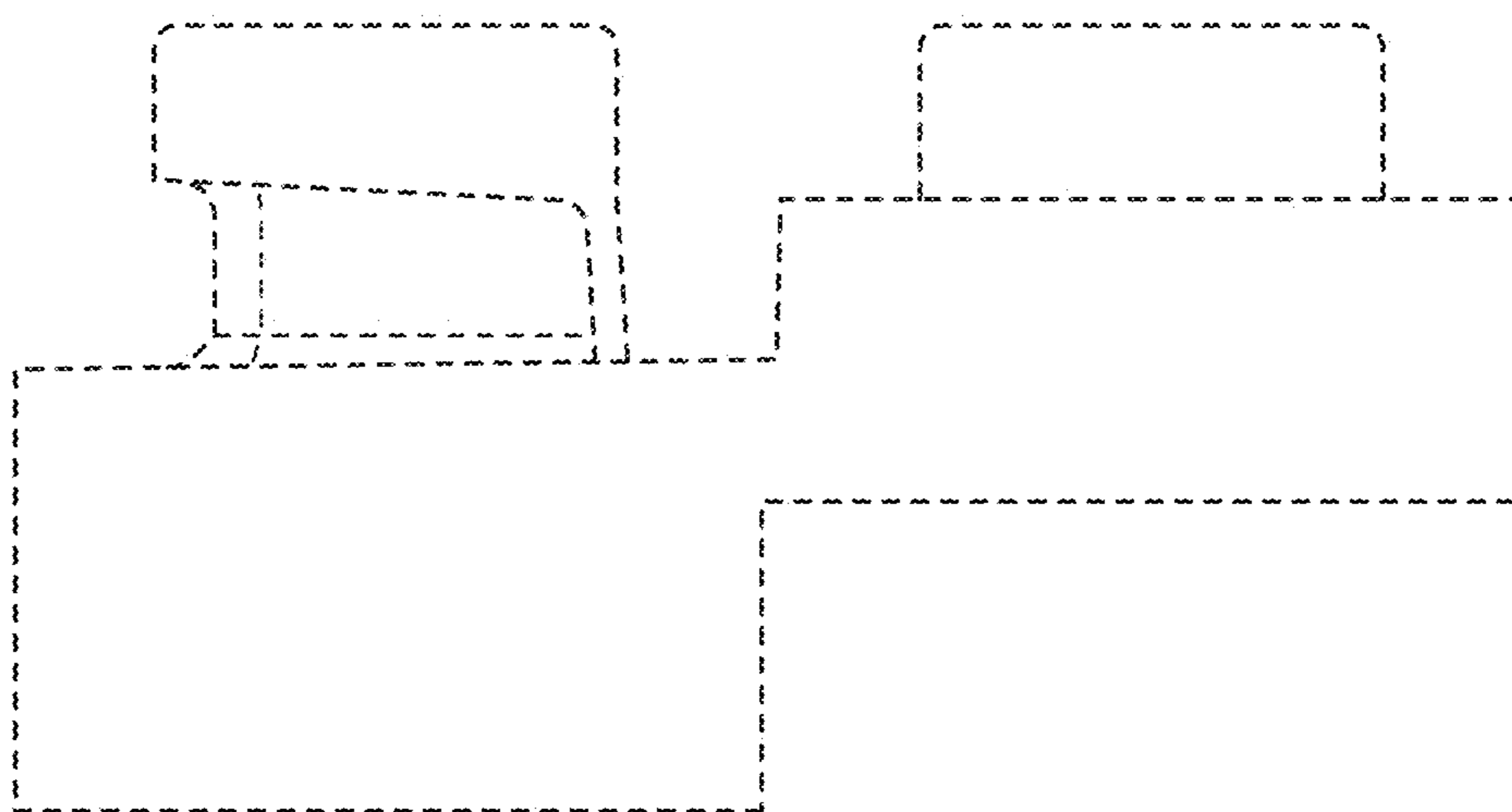


FIG. 4

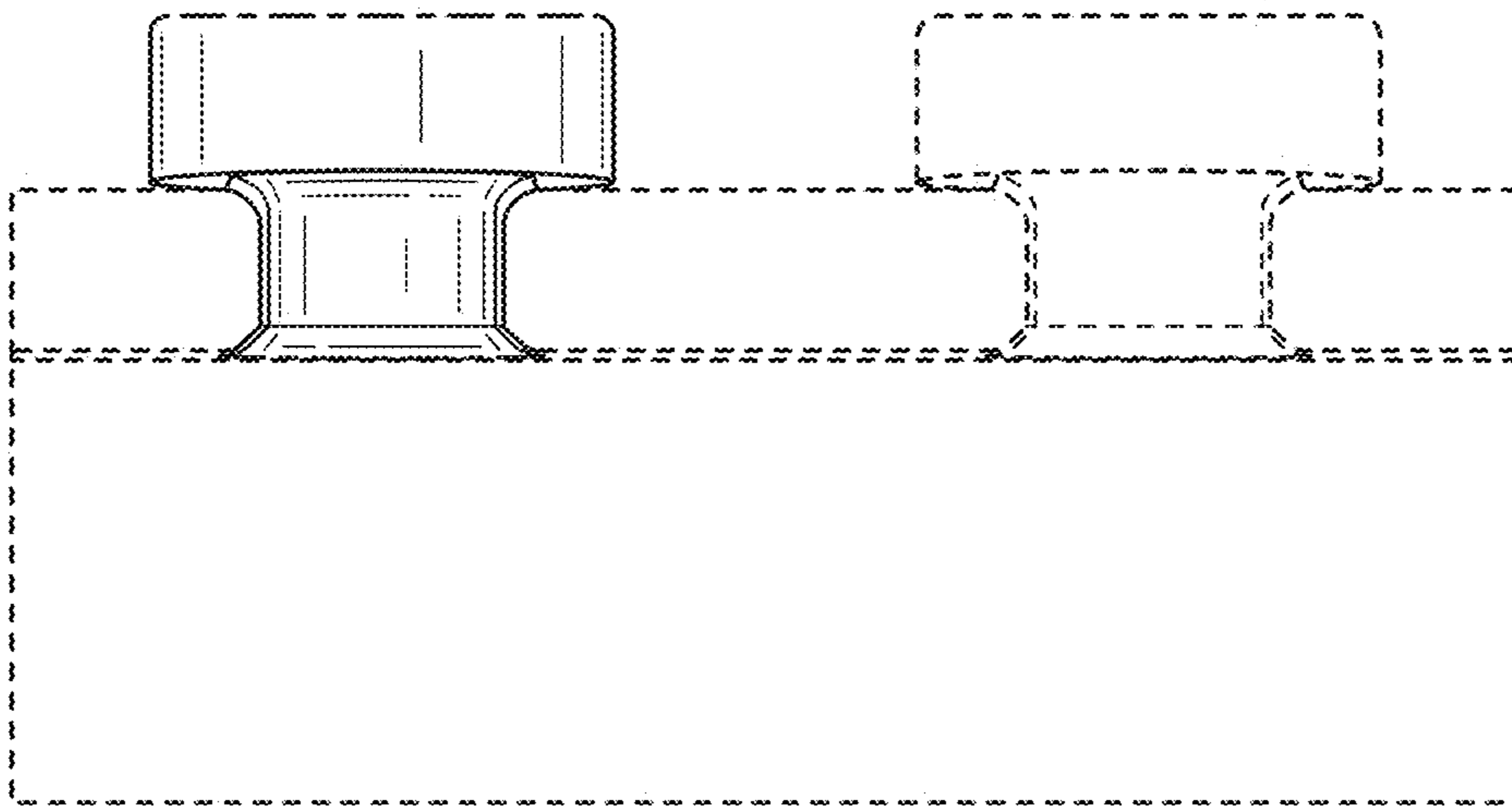


FIG. 5

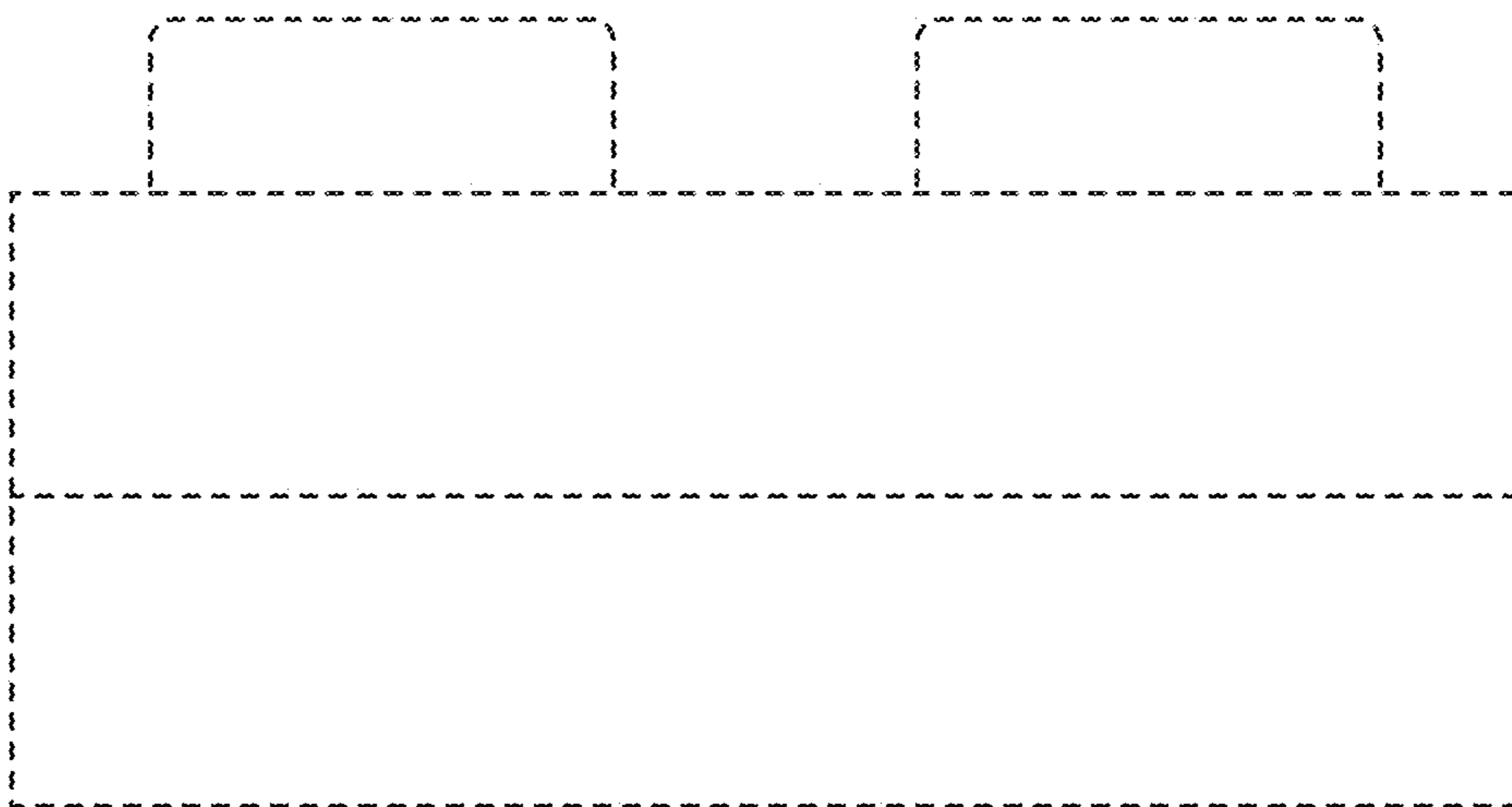


FIG. 6

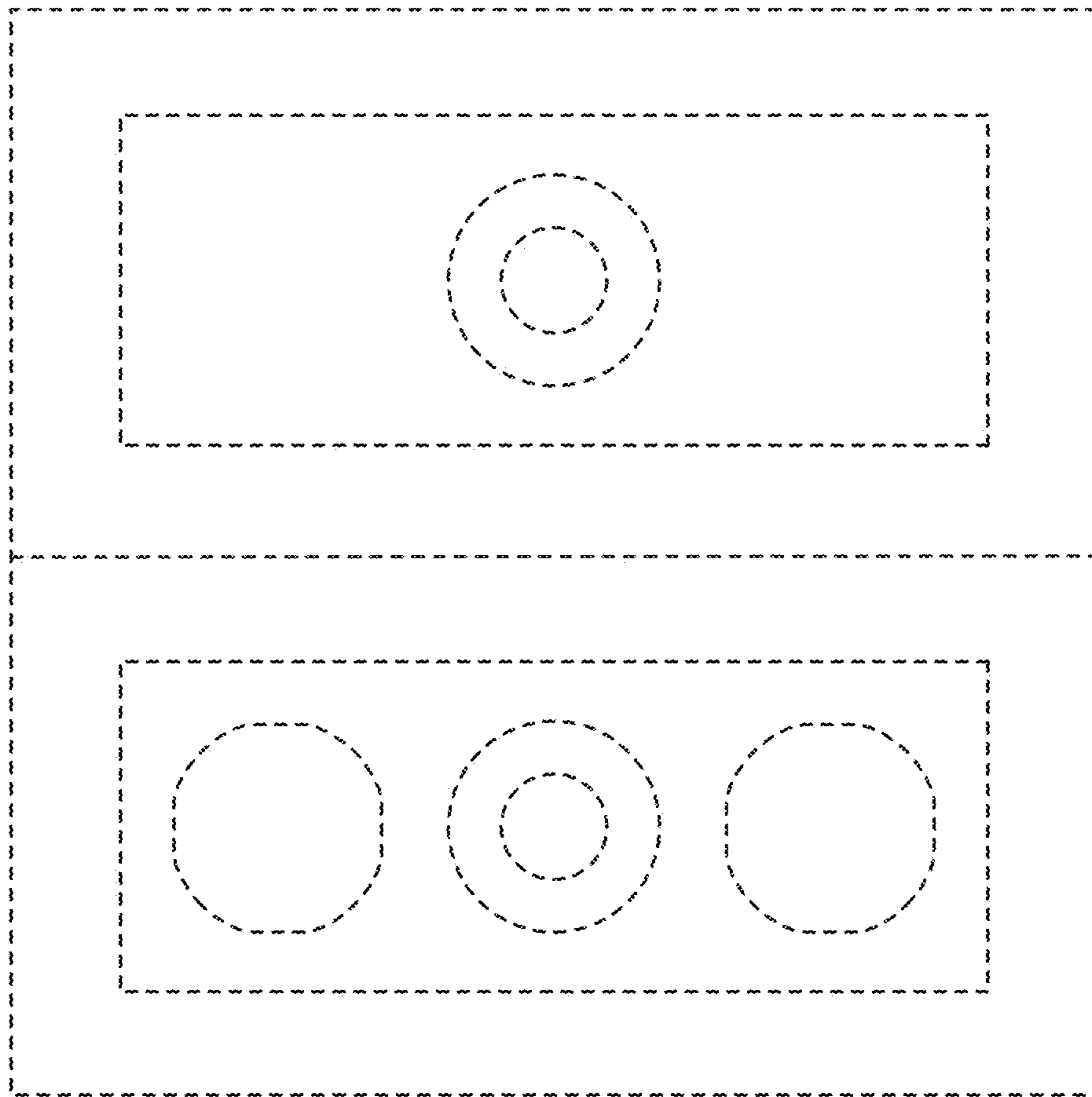


FIG. 7

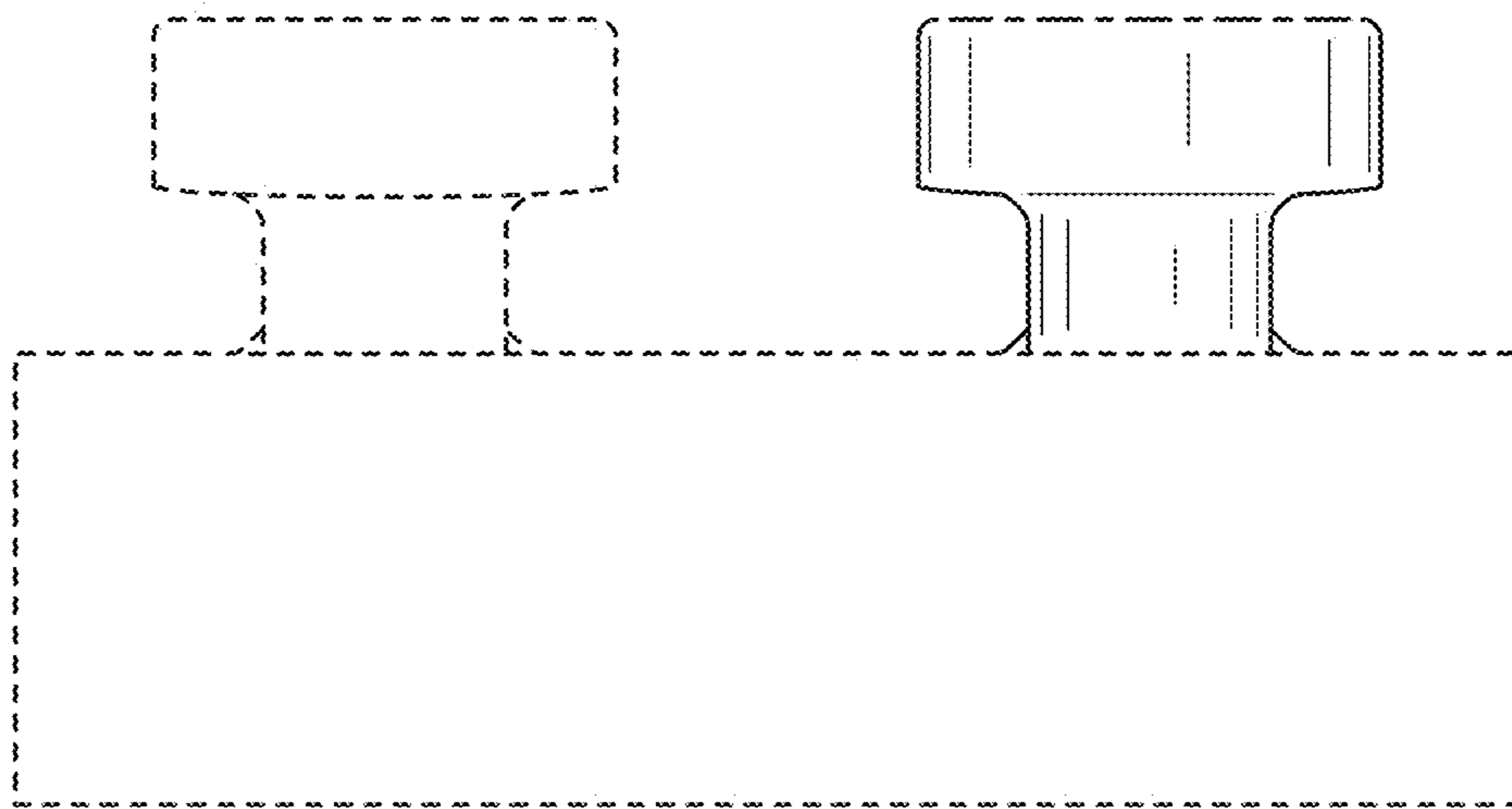


FIG. 8

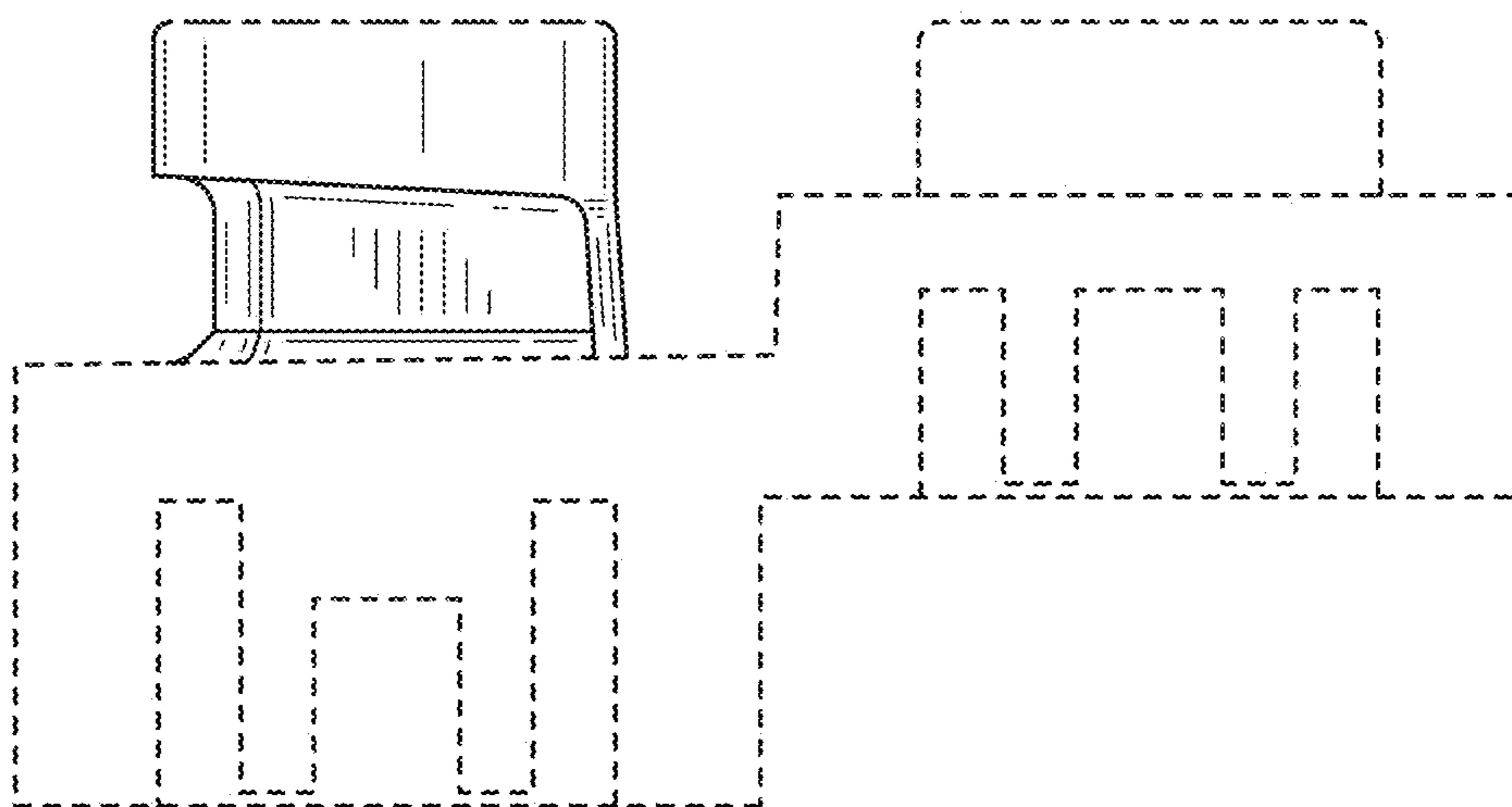


FIG. 9