



US00D895023S

(12) **United States Design Patent**
DeGregorio et al.

(10) **Patent No.:** **US D895,023 S**
(45) **Date of Patent:** **** Sep. 1, 2020**

- (54) **AUTOMATIC CARD SHUFFLER**
- (71) Applicant: **Shark Trap, LLC**, Las Vegas, NV
(US)
- (72) Inventors: **Louis DeGregorio**, Las Vegas, NV
(US); **Michael Riordan**, Las Vegas, NV
(US)
- (**) Term: **15 Years**
- (21) Appl. No.: **29/708,666**
- (22) Filed: **Oct. 8, 2019**
- (51) **LOC (12) Cl.** **21-01**
- (52) **U.S. Cl.**
USPC **D21/396**
- (58) **Field of Classification Search**
USPC D21/392–396
CPC A63F 1/08; A63F 1/10; A63F 1/12; A63F
1/14
See application file for complete search history.

D798,958 S * 10/2017 Tseng D21/396
* cited by examiner

Primary Examiner — George D. Kirschbaum
Assistant Examiner — Joseph J Kukella
(74) *Attorney, Agent, or Firm* — FisherBroyles, LLP; Rob
L. Phillips

(57) **CLAIM**

The ornamental design for an automatic card shuffler, as shown and described.

DESCRIPTION

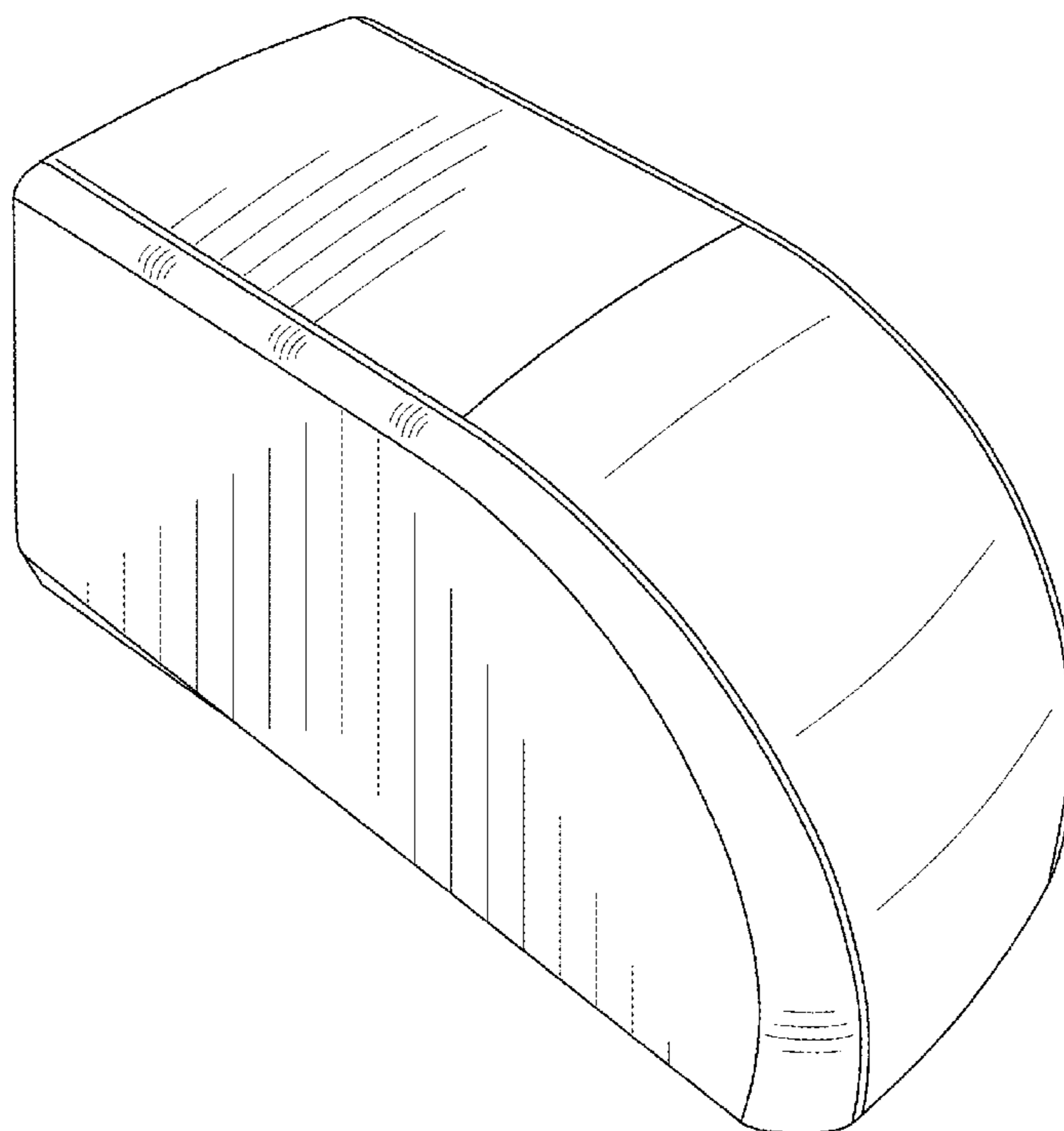
FIG. 1 illustrates a perspective upper front view of an automatic card shuffler;
FIG. 2 illustrates a front view of the automatic card shuffler;
FIG. 3 illustrates a right-side view of the automatic card shuffler;
FIG. 4 illustrates a top-down view of the automatic card shuffler;
FIG. 5 illustrates a left-side view of the automatic card shuffler;
FIG. 6 illustrates a bottom view of the automatic card shuffler;
FIG. 7 illustrates a rear view of the automatic card shuffler;
and,
FIG. 8 illustrates a perspective upper front view of the automatic card shuffler with a card-access door open.
In the drawings, the broken lines depict portions of the automatic card shuffler that form no part of the claimed design.

(56) **References Cited**

U.S. PATENT DOCUMENTS

D443,656 S *	6/2001	Ng	D21/395
D485,314 S *	1/2004	Collins	D21/396
D488,193 S *	4/2004	Girard	D21/396
D490,481 S *	5/2004	Hessing	D21/396
D506,395 S *	6/2005	Coles	D21/369
6,959,955 B2 *	11/2005	Carter, III	B60R 9/00 296/100.16
D615,600 S *	5/2010	Scheper	D21/396
D695,357 S *	12/2013	Shigeta	D21/396
D766,378 S *	9/2016	Miller	B60R 9/00 D21/392

1 Claim, 4 Drawing Sheets



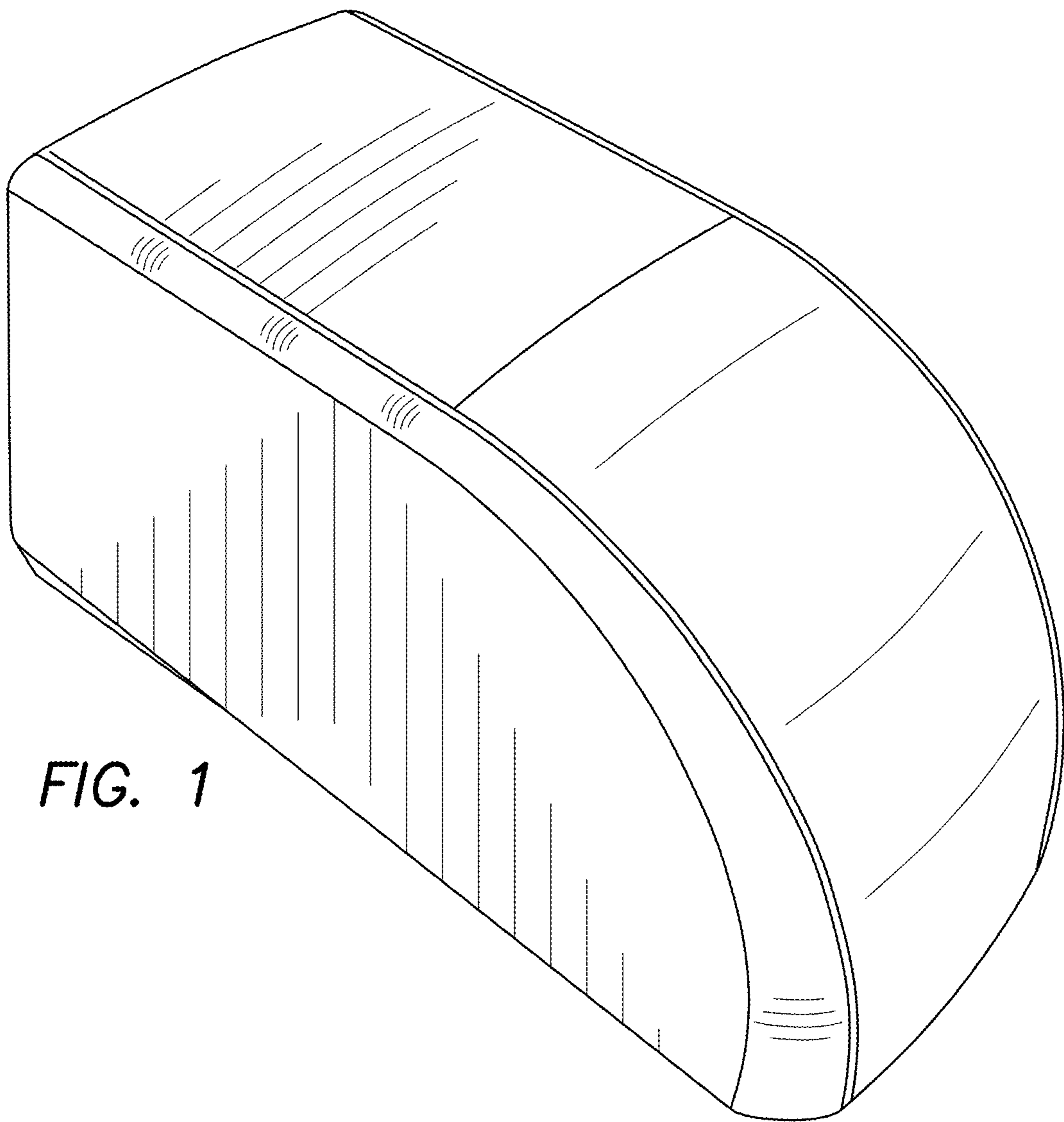


FIG. 1

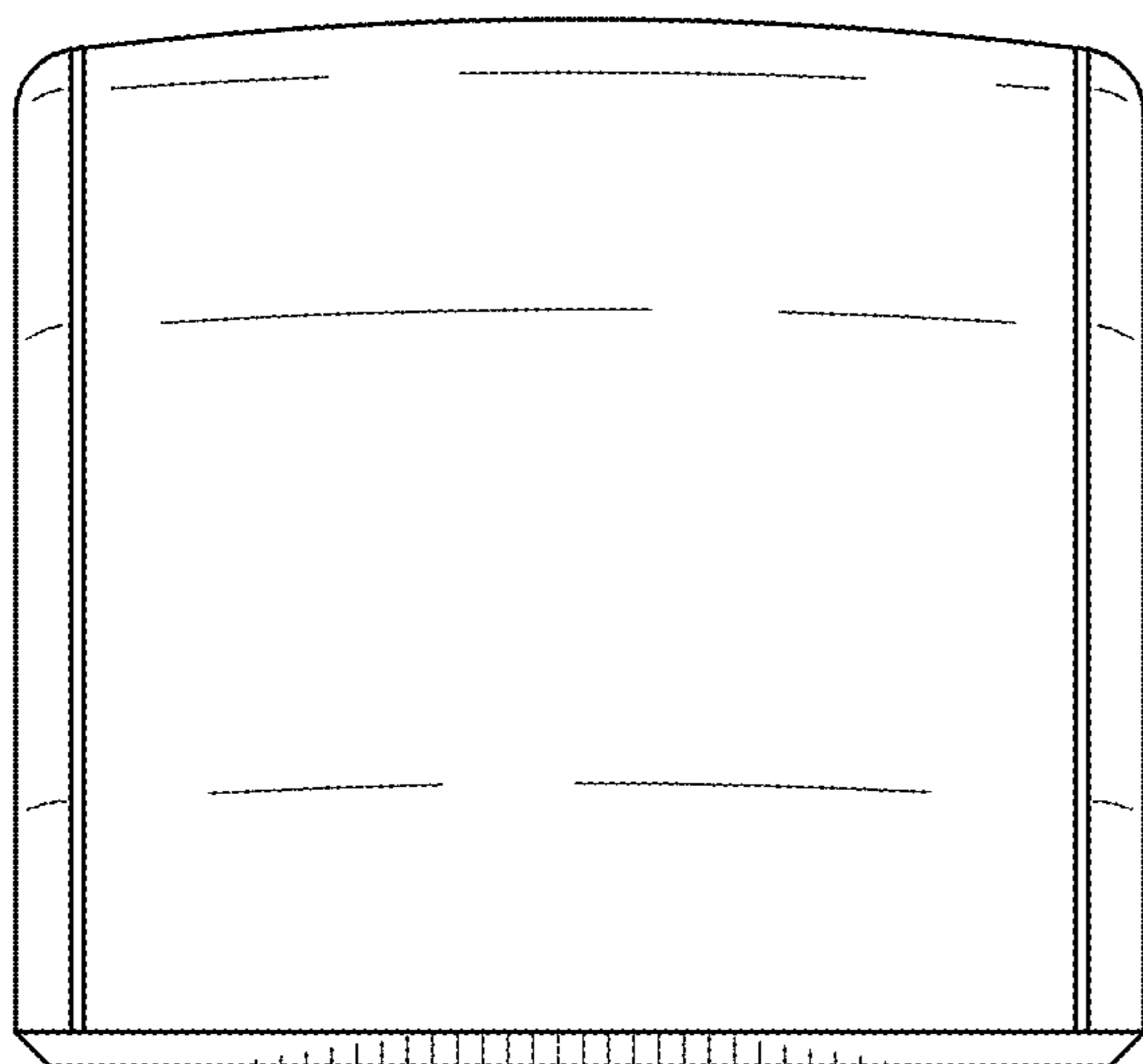


FIG. 2

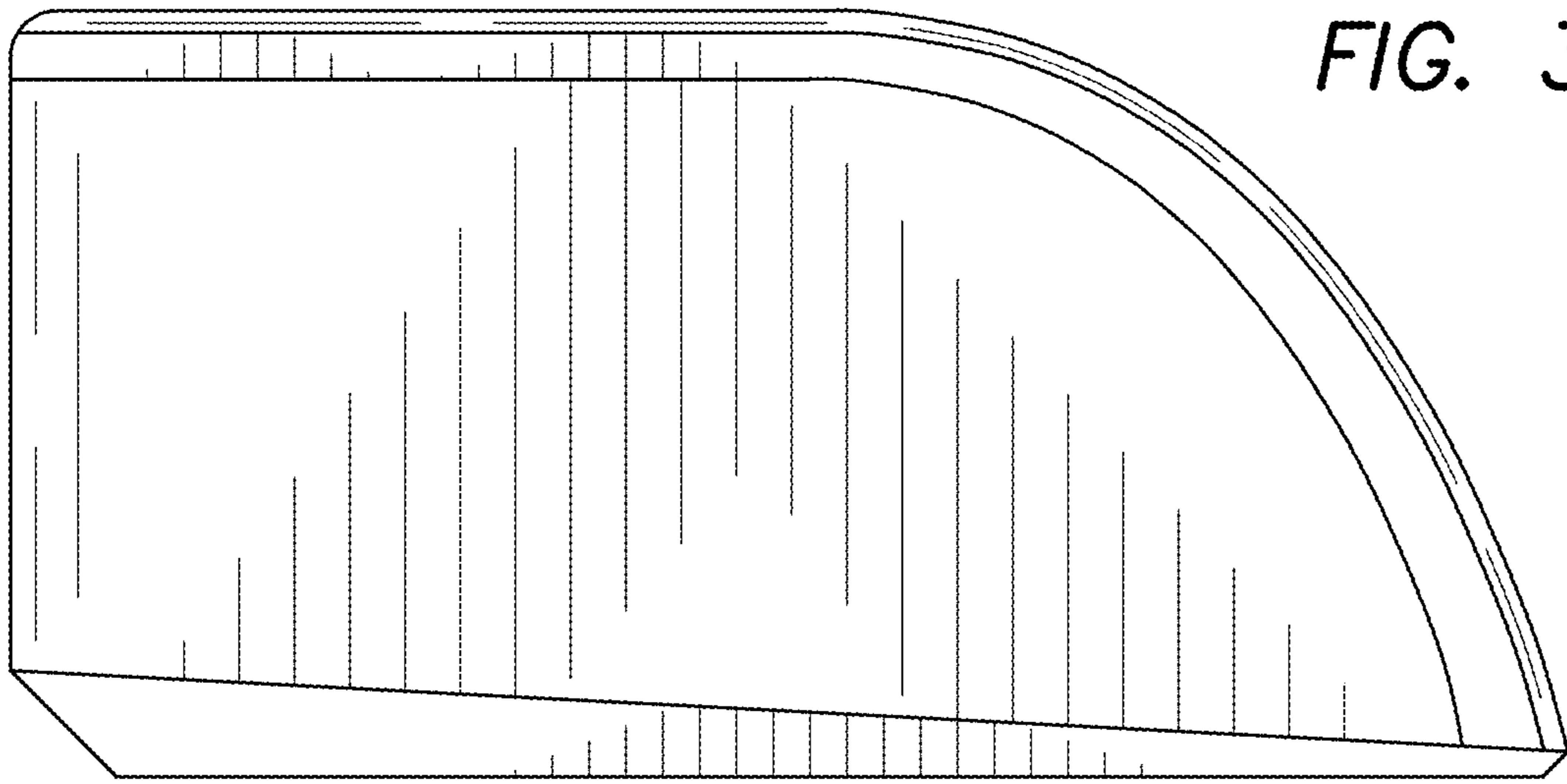


FIG. 3

FIG. 4

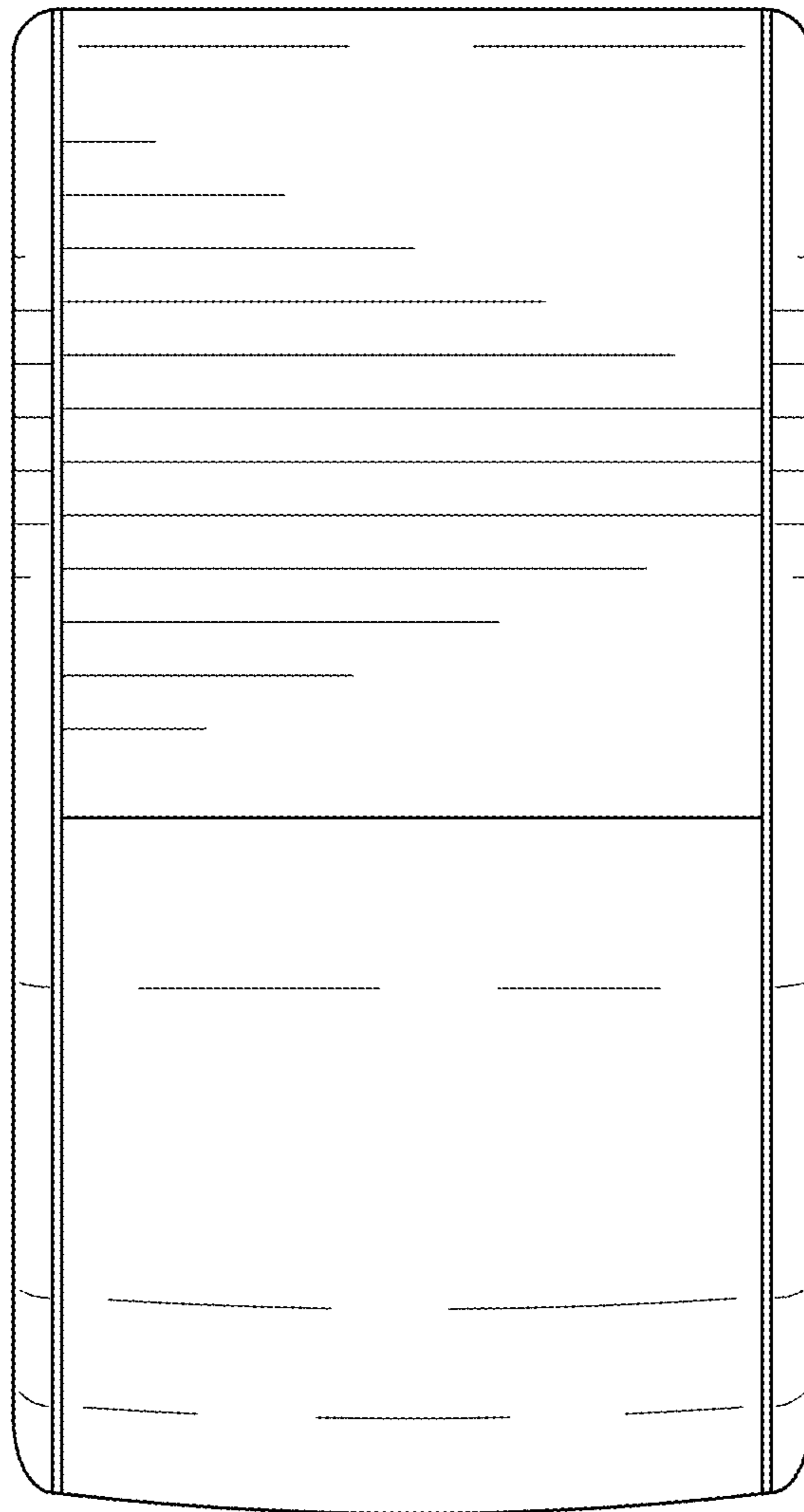


FIG. 5

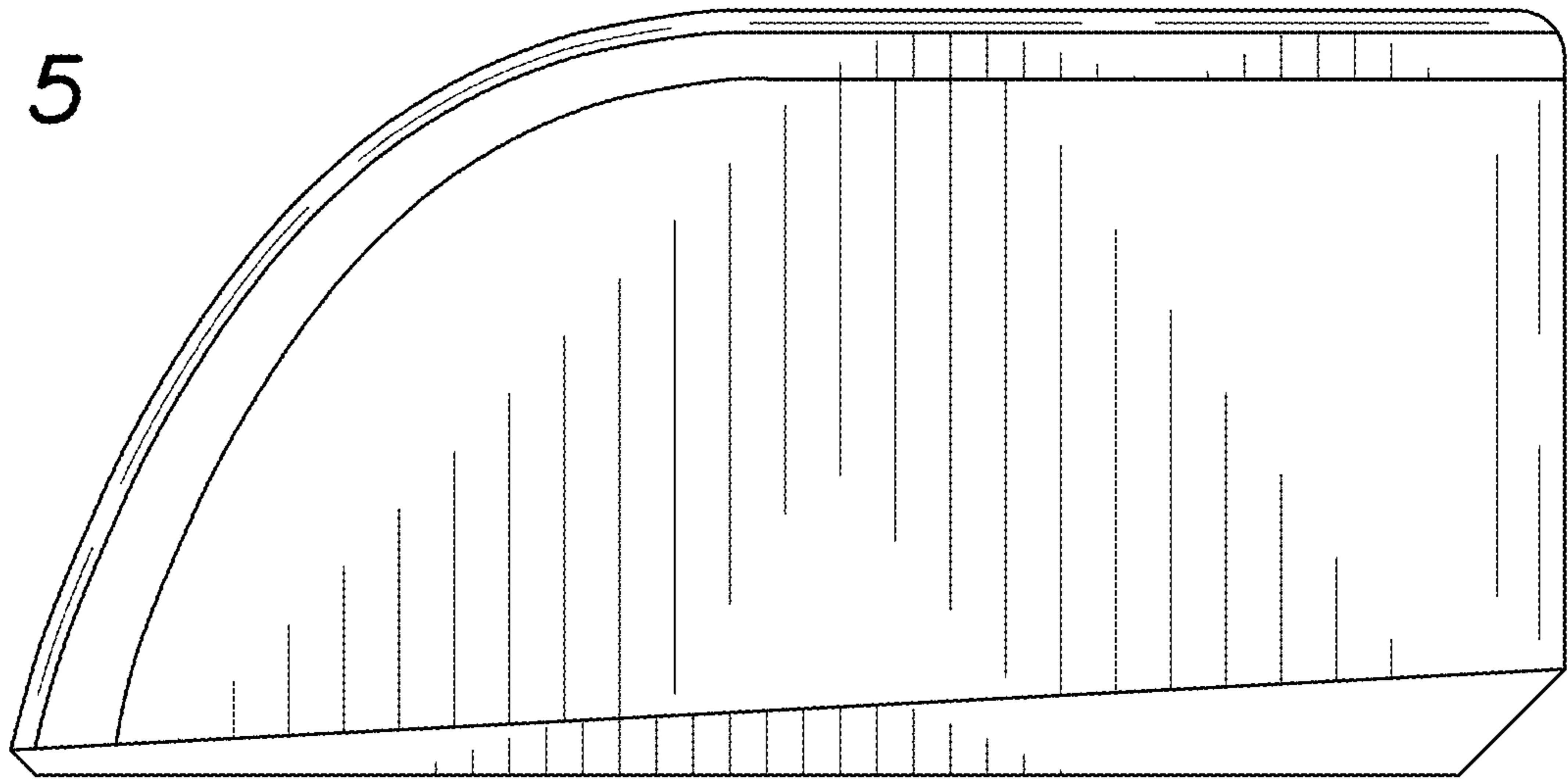


FIG. 6

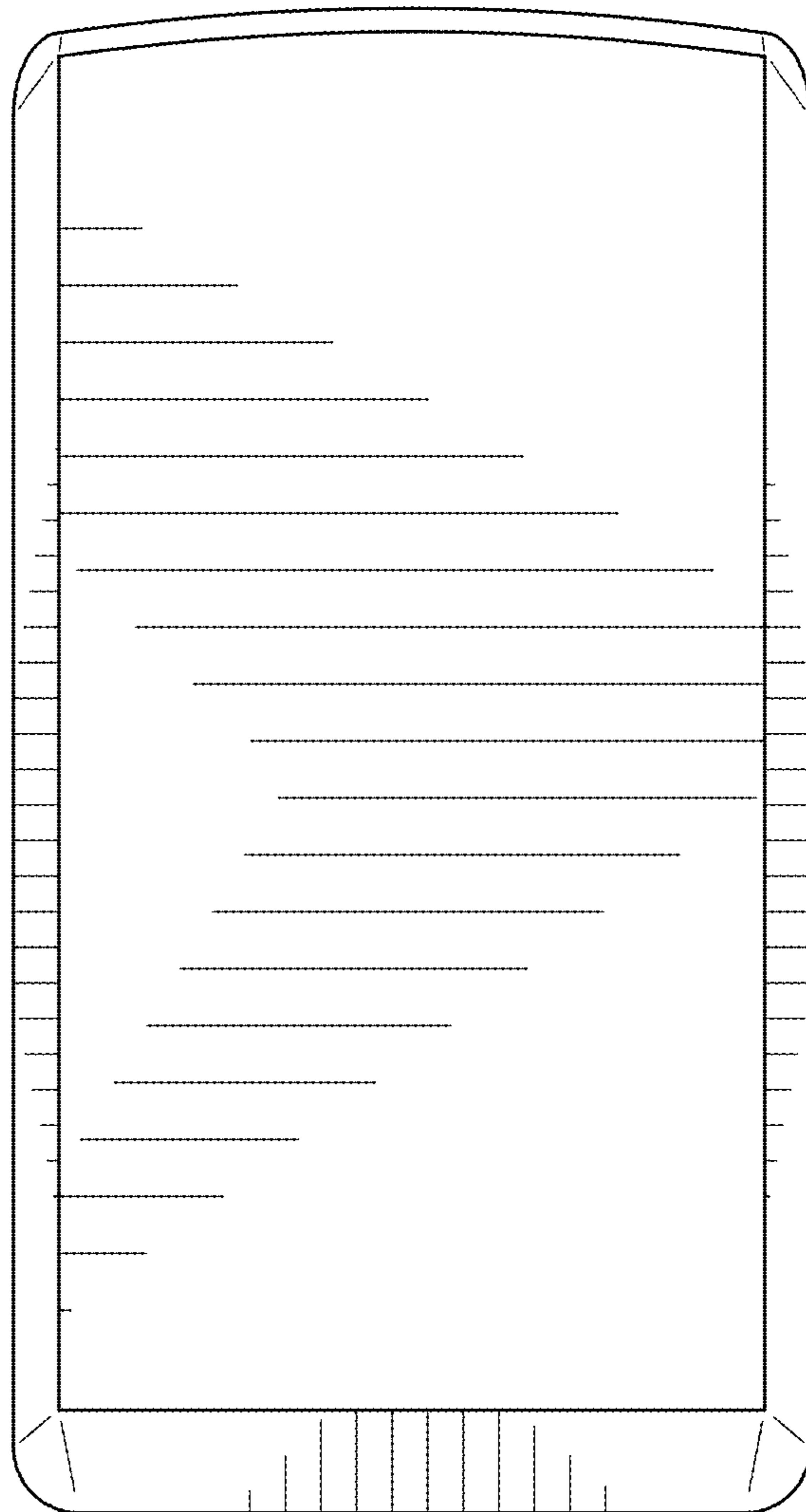


FIG. 7

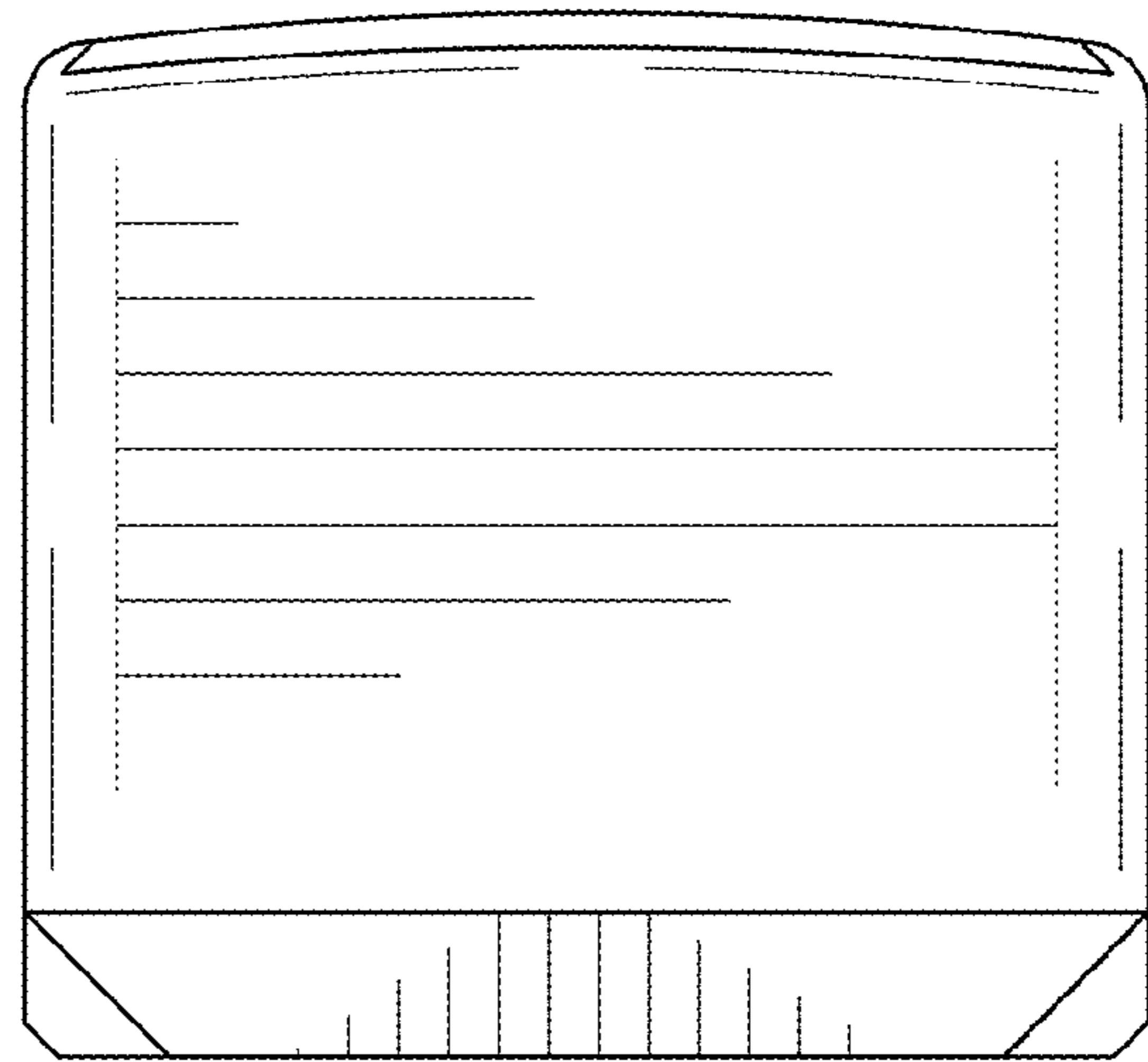


FIG. 8

