



US00D895022S

(12) **United States Design Patent**  
**DeGregorio et al.**

(10) **Patent No.:** **US D895,022 S**

(45) **Date of Patent:** **\*\* Sep. 1, 2020**

(54) **AUTOMATIC CARD SHUFFLER**

D798,958 S \* 10/2017 Tseng ..... D21/396

(71) Applicant: **Shark Trap, LLC**, Las Vegas, NV  
(US)

\* cited by examiner

(72) Inventors: **Louis DeGregorio**, Las Vegas, NV  
(US); **Michael Riordan**, Las Vegas, NV  
(US)

*Primary Examiner* — George D. Kirschbaum

*Assistant Examiner* — Joseph J Kukella

(74) *Attorney, Agent, or Firm* — FisherBroyles, LLP; Rob  
L. Phillips

(\*\*) Term: **15 Years**

(57) **CLAIM**

(21) Appl. No.: **29/708,665**

The ornamental design for an automatic card shuffler, as  
shown and described.

(22) Filed: **Oct. 8, 2019**

(51) **LOC (12) Cl.** ..... **21-01**

(52) **U.S. Cl.**  
USPC ..... **D21/396**

**DESCRIPTION**

(58) **Field of Classification Search**  
USPC ..... D21/392–396  
CPC ..... A63F 1/08; A63F 1/10; A63F 1/12; A63F  
1/14

FIG. 1 illustrates a perspective upper front view of an  
automatic card shuffler;

FIG. 2 illustrates a front view of the automatic card shuffler;  
FIG. 3 illustrates a right-side view of the automatic card  
shuffler;

See application file for complete search history.

FIG. 4 illustrates a top-down view of the automatic card  
shuffler;

(56) **References Cited**

U.S. PATENT DOCUMENTS

D443,656 S *	6/2001	Ng	.....	D21/395
D485,314 S *	1/2004	Collins	.....	D21/396
D488,193 S *	4/2004	Girard	.....	D21/396
D490,481 S *	5/2004	Hessing	.....	D21/396
D506,395 S *	6/2005	Coles	.....	D21/369
6,959,955 B2 *	11/2005	Carter, III	.....	B60R 9/00 296/100.16
D615,600 S *	5/2010	Scheper	.....	D21/396
D695,357 S *	12/2013	Shigeta	.....	D21/396
D766,378 S *	9/2016	Miller	.....	B60R 9/00 D21/392

FIG. 5 illustrates a left-side view of the automatic card  
shuffler;

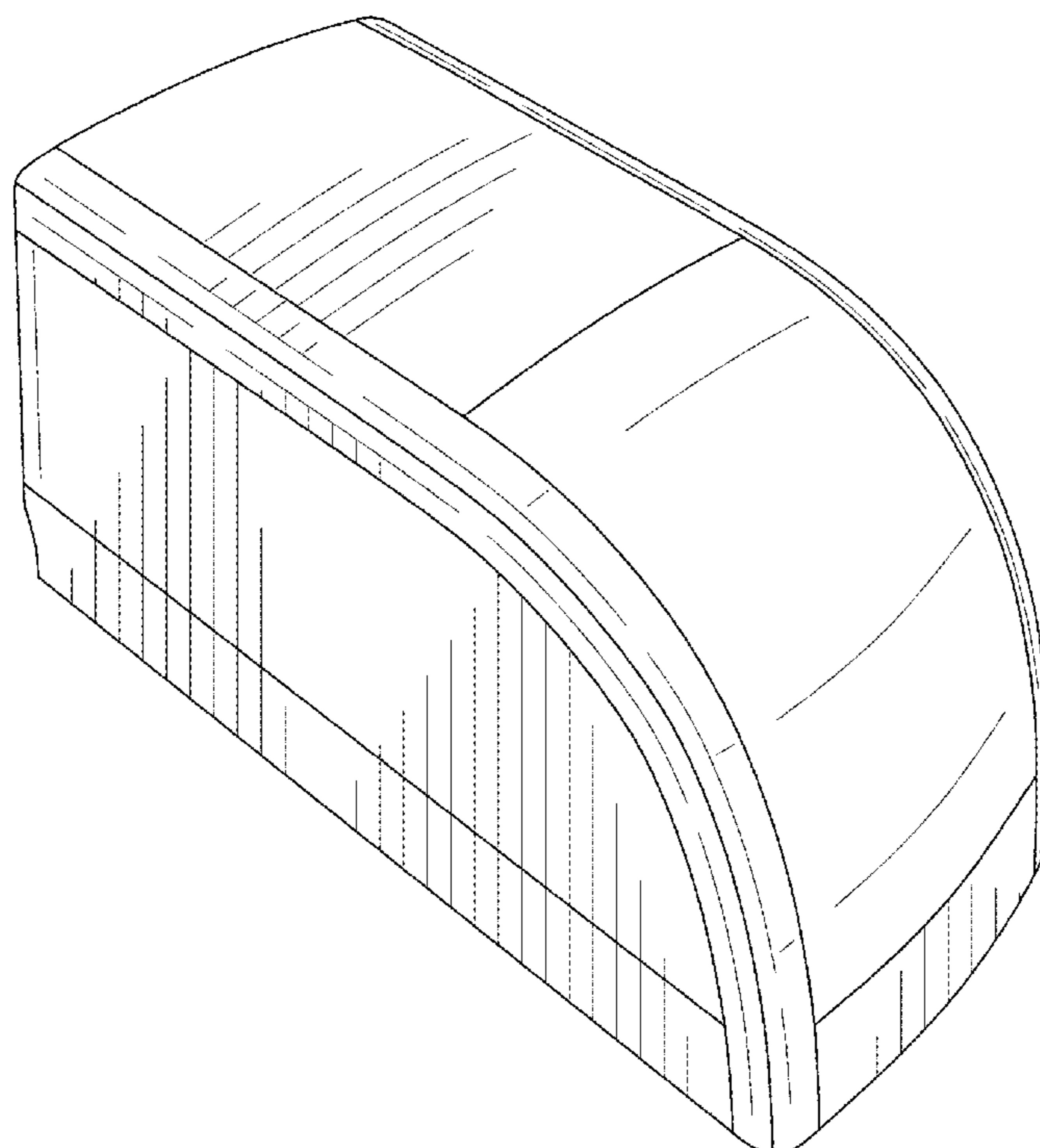
FIG. 6 illustrates a bottom view of the automatic card  
shuffler;

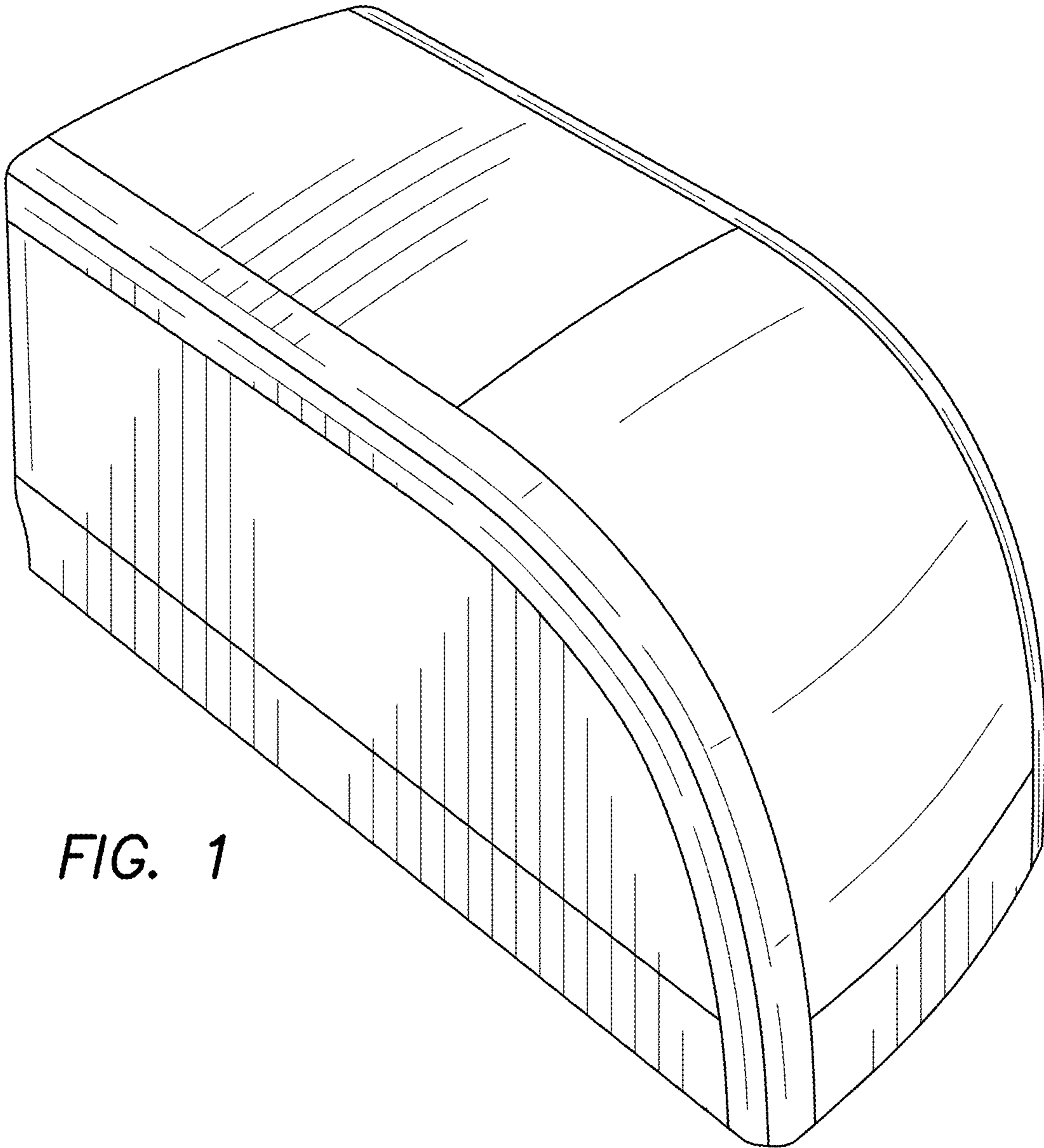
FIG. 7 illustrates a rear view of the automatic card shuffler;  
and,

FIG. 8 illustrates a perspective upper front view of the  
automatic card shuffler with a card-access door open.

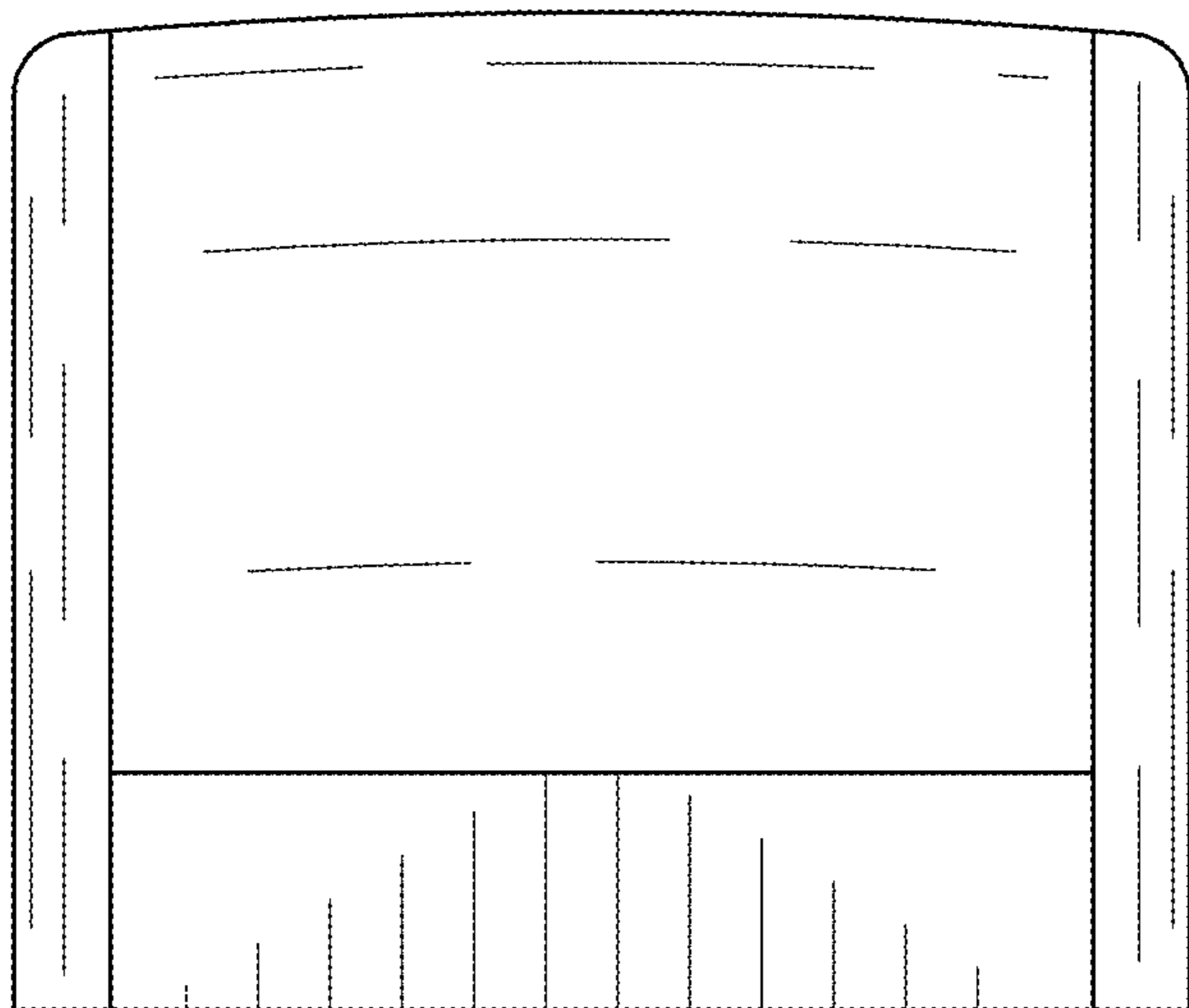
In the drawings, the broken lines depict portions of the  
automatic card shuffler that form no part of the claimed  
design.

**1 Claim, 4 Drawing Sheets**





*FIG. 1*



*FIG. 2*

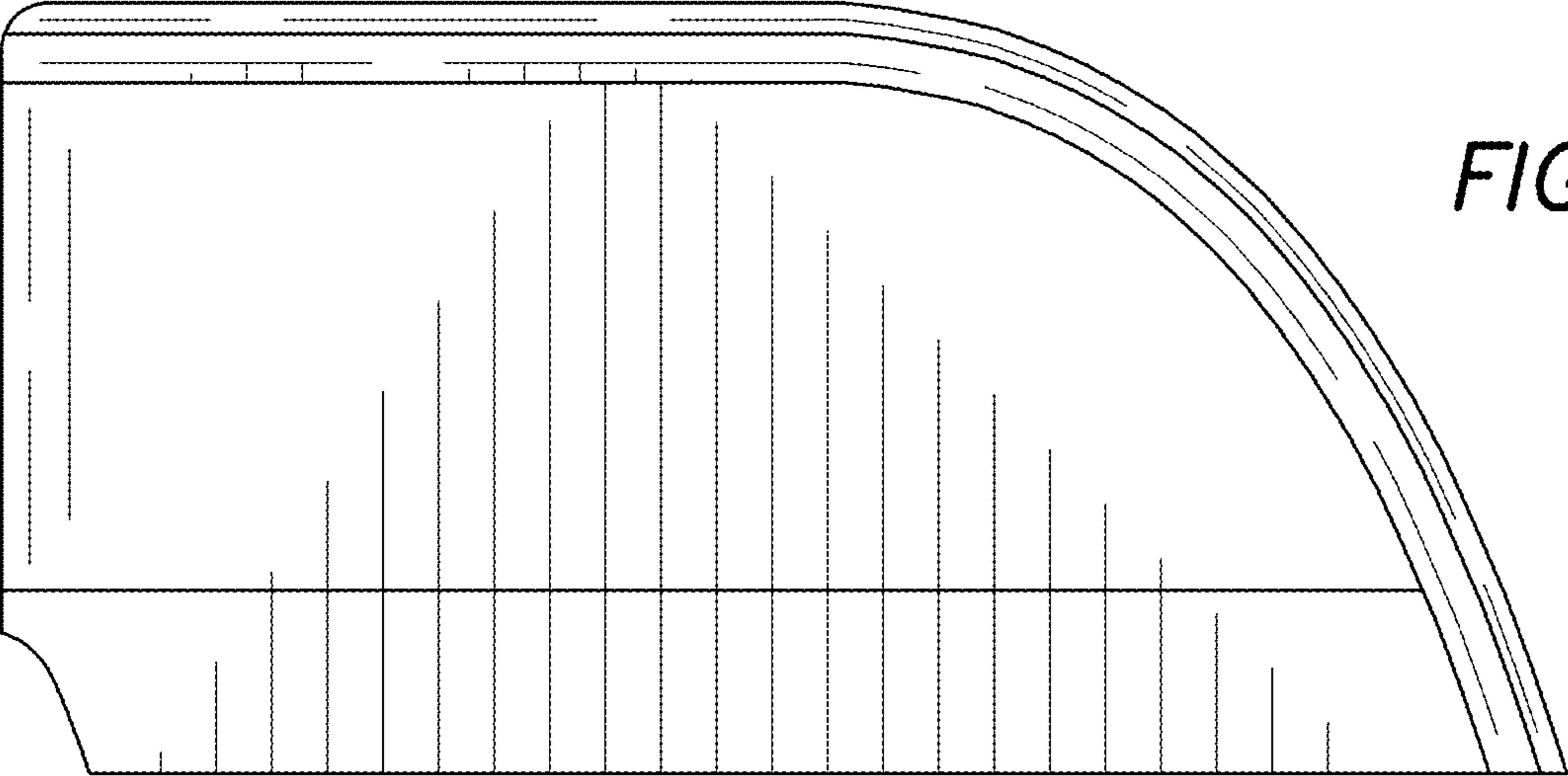


FIG. 3

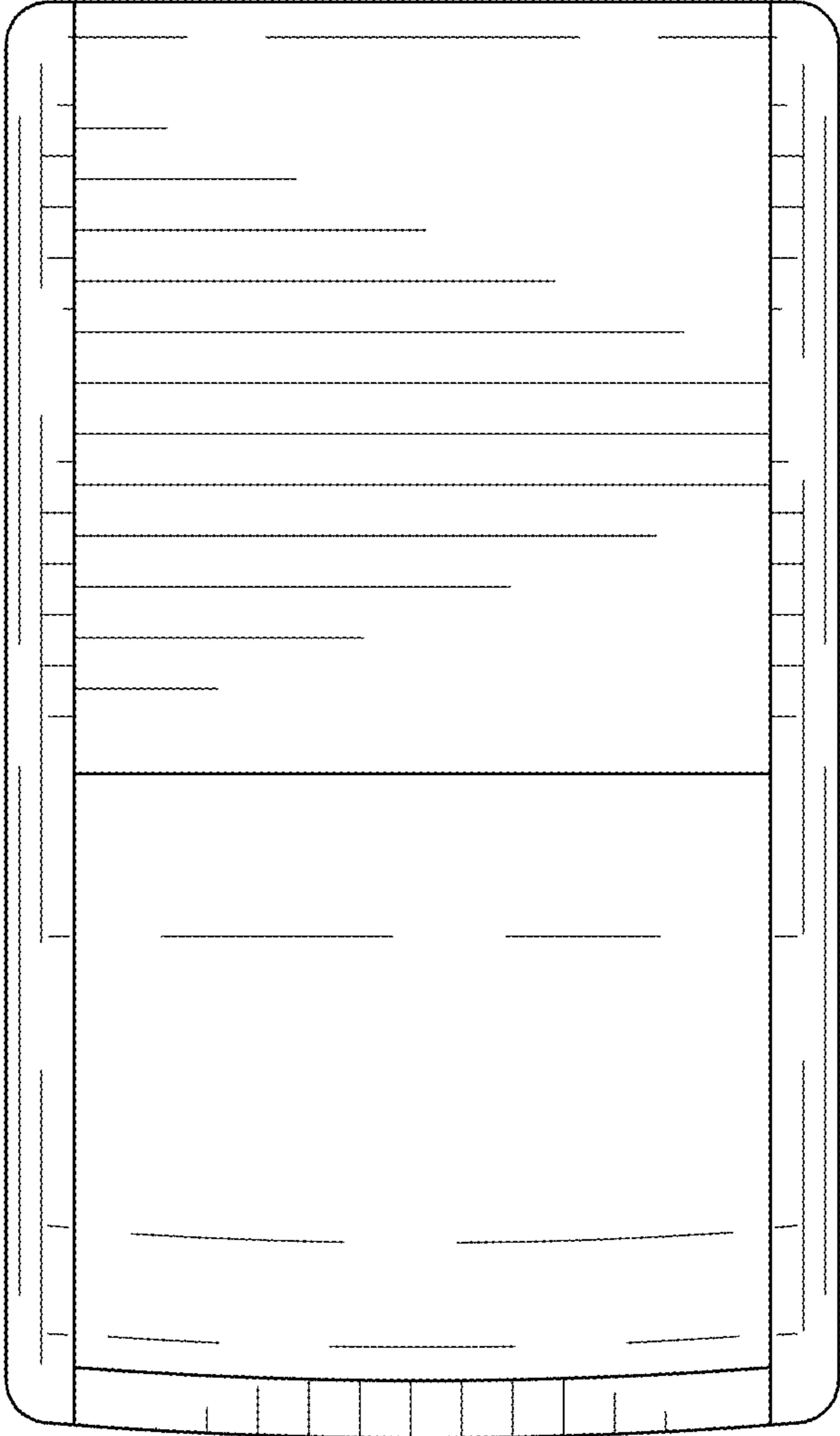


FIG. 4

FIG. 5

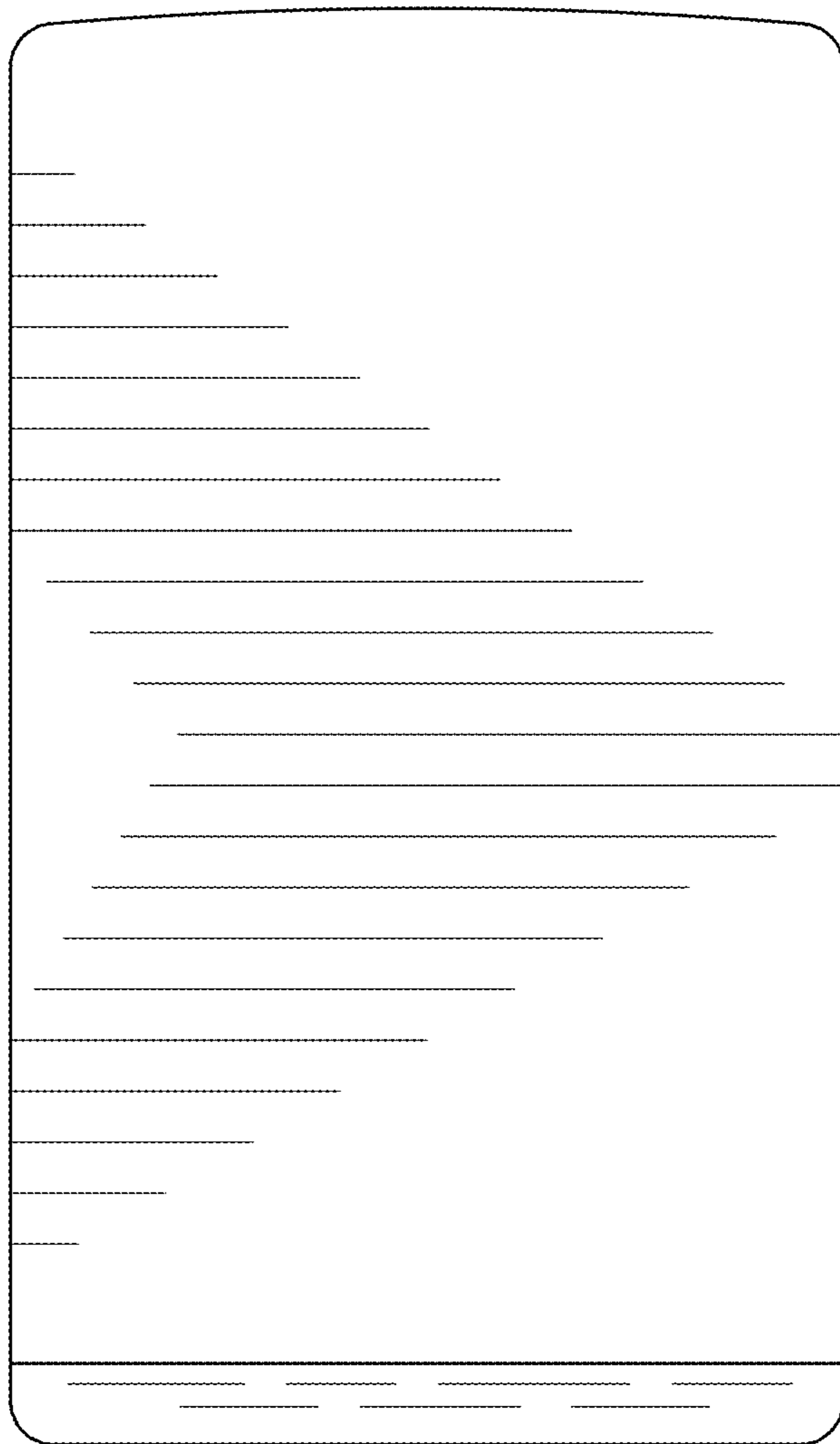
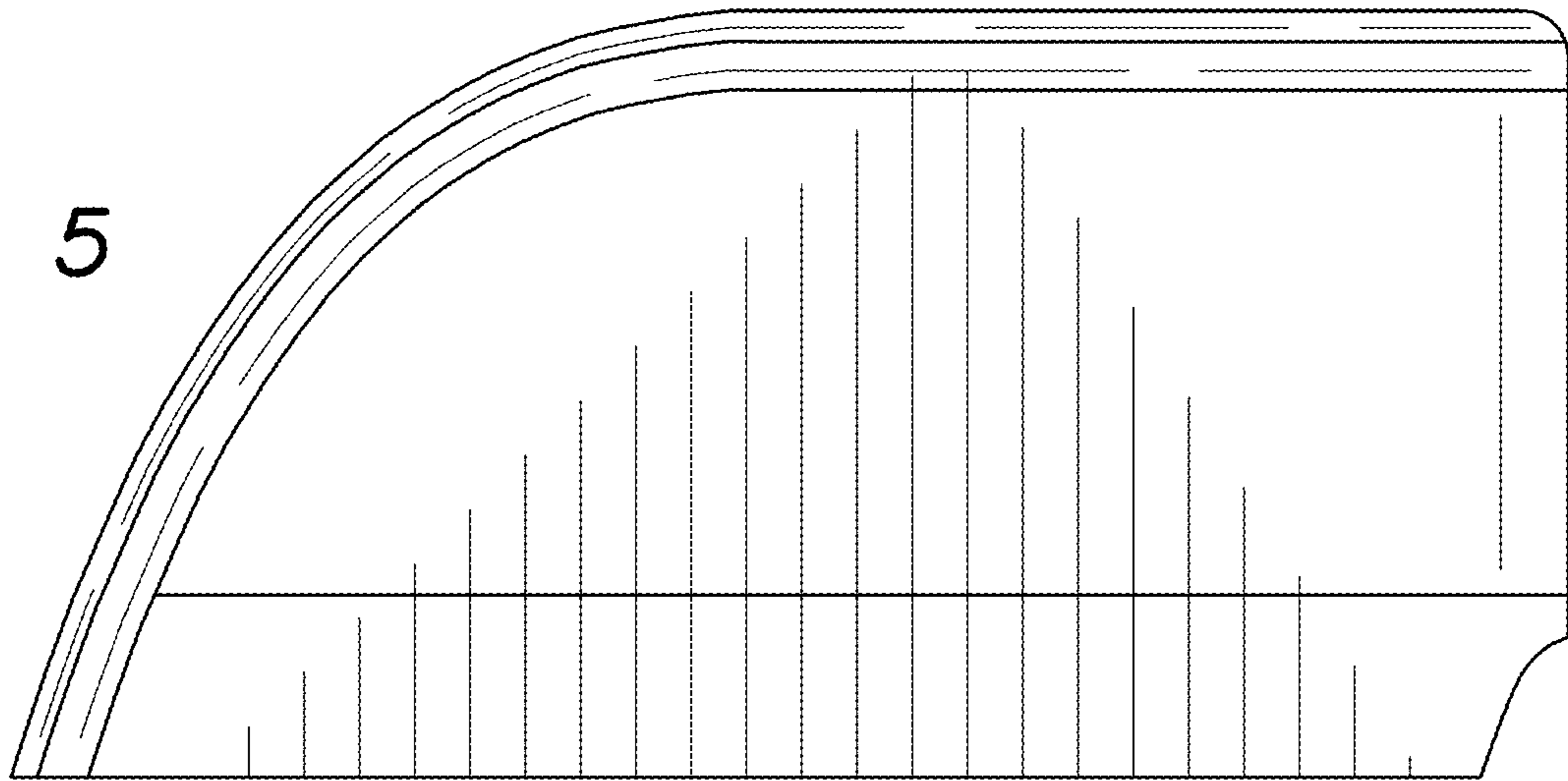


FIG. 6

FIG. 7

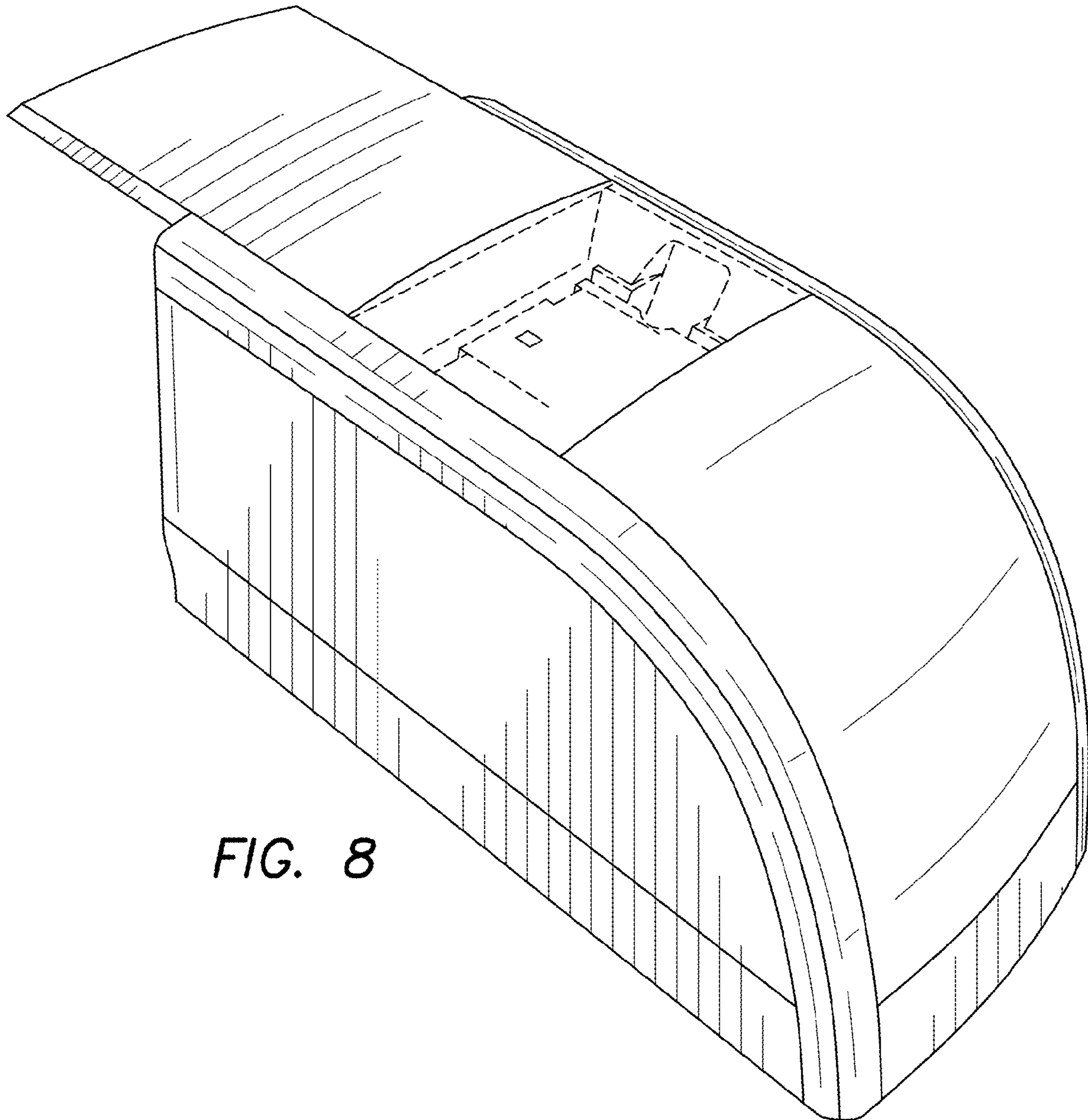
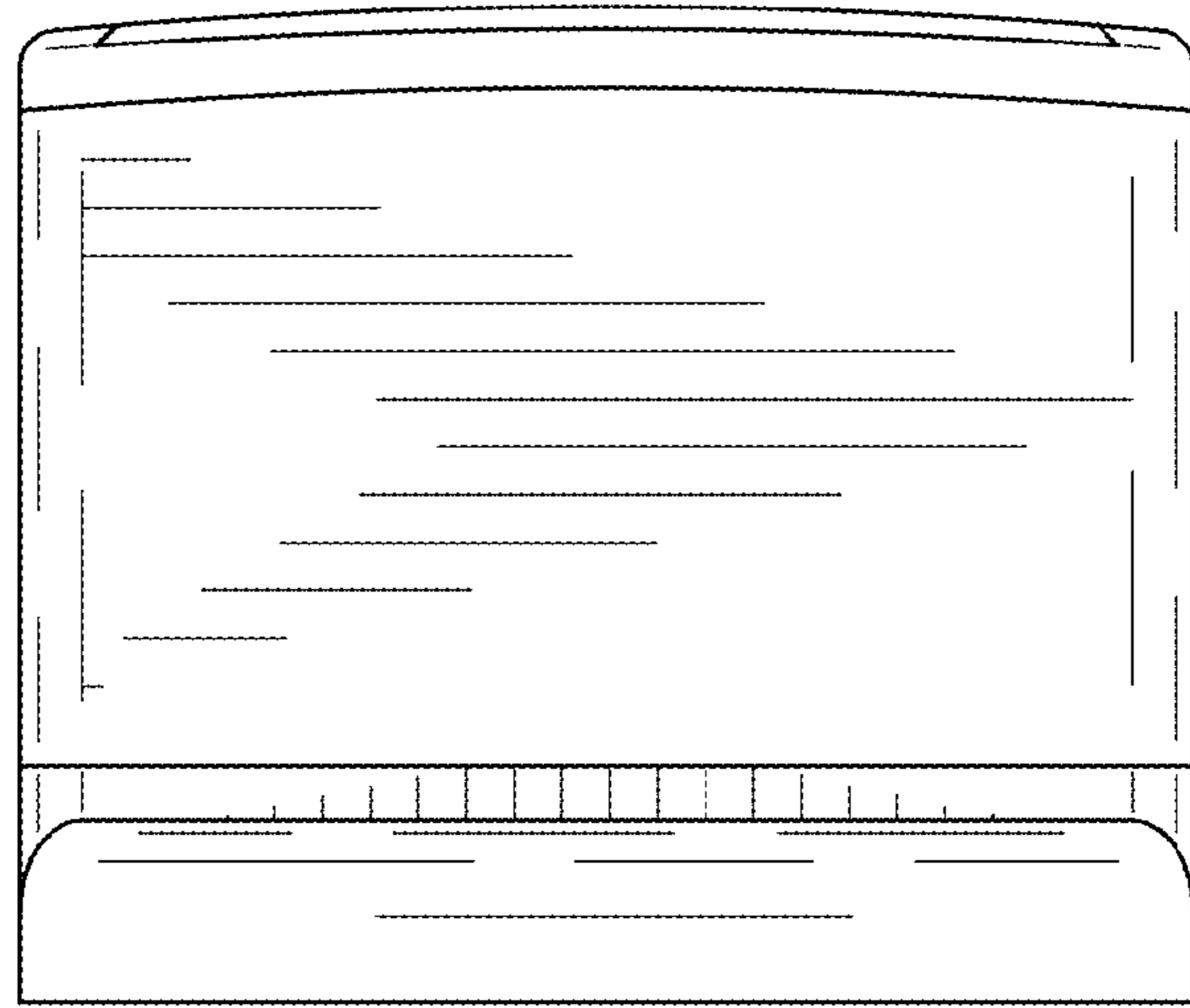


FIG. 8