

US00D895017S

(12) **United States Design Patent**
Kogure

(10) **Patent No.:** **US D895,017 S**

(45) **Date of Patent:** **** Sep. 1, 2020**

(54) **ASSEMBLING GAME PLATE**

(71) Applicant: **People Co., Ltd.**, Chuo-ku, Tokyo (JP)

(72) Inventor: **Masako Kogure**, Tokyo (JP)

(73) Assignee: **PEOPLE CO., LTD**, Chuo-Ku, Tokyo (JP)

(**) Term: **15 Years**

(21) Appl. No.: **29/687,185**

(22) Filed: **Apr. 11, 2019**

(30) **Foreign Application Priority Data**

Feb. 8, 2019 (JP) 2019-002619

(51) **LOC (12) Cl.** **21-01**

(52) **U.S. Cl.**

USPC **D21/334**; D21/364; D21/385

(58) **Field of Classification Search**

USPC D21/334, 364, 300, 341-344, 347, 354, D21/365, 385, 404, 492, 504, 505, 386, D21/389, 391, 393, 396, 397, 478, 479, D21/480, 484, 485, 489, 491, 493, 500, D21/771, 793, 794, 900; 273/340, 120 A, 273/124 A, 118 A, 258, 248, 153 J, 271, 273/287, 153 S, 236, 238, 239, 242, 243, 273/249, 260, 261, 264, 268, 269, 270, 273/275, 276, 281, 282.1, 282.2, 282.3, 273/283, 284, 285, 288, 292, 294, 295, 273/306, 148 R, 153 R, 156, 157 R, 273/157 A, 443, 456, 448, 459

CPC A63F 3/00176; A63F 3/00574; A63F 3/00; A63F 3/00003; A63F 3/00009; A63F 3/00082; A63F 3/00088; A63F 3/00097; A63F 3/001; A63F 3/00173; A63F 3/00214; A63F 3/0023; A63F 3/00261; A63F 3/0052; A63F 3/00533; A63F 3/00634; A63F 3/00694; A63F 7/0023; A63F 2003/00179; A63F 2003/00186; A63F 2003/00223; A63F 2003/00583; A63F 2003/00798; A63F 2003/00287;

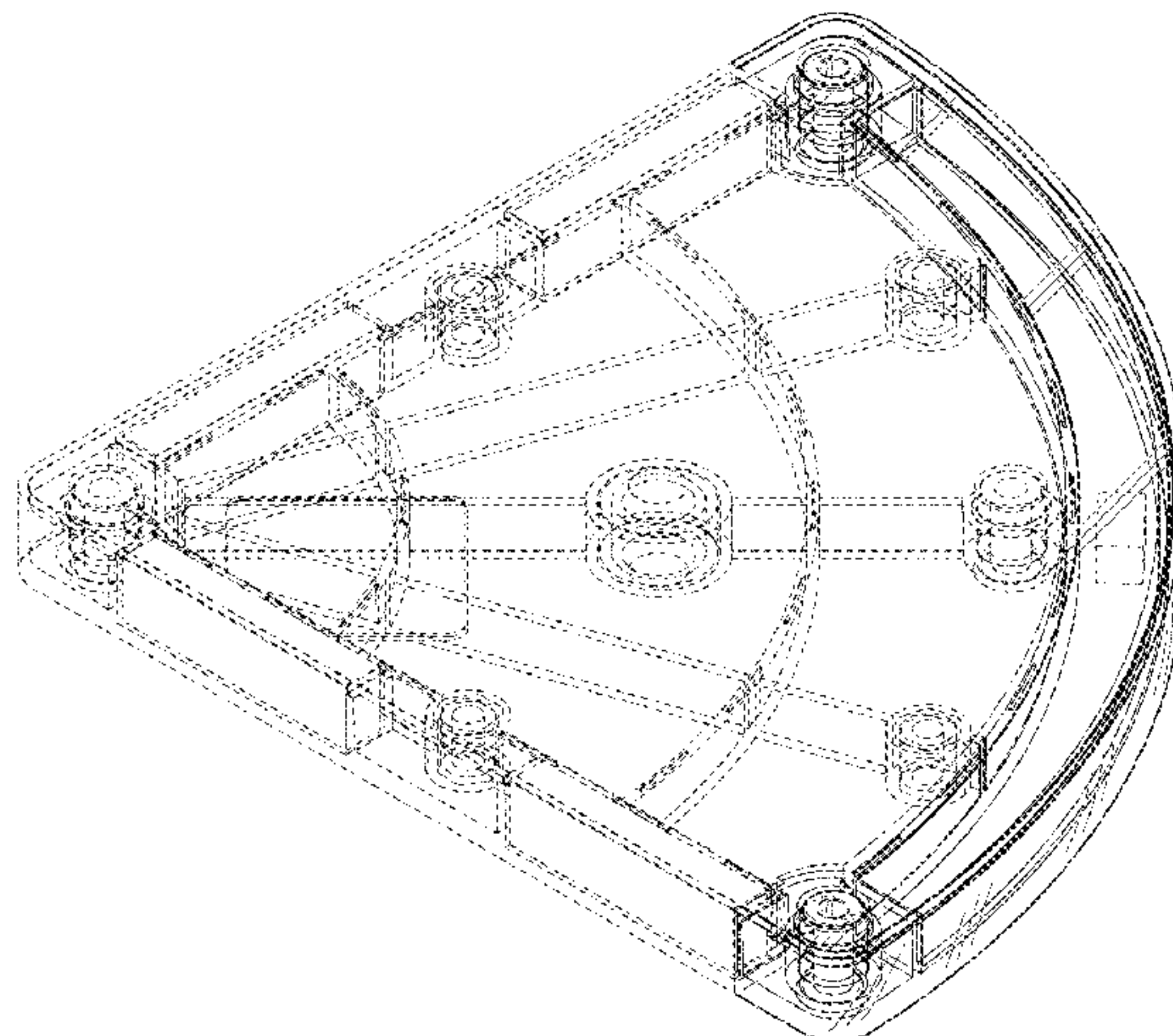
A63F 2003/00252; A63F 2003/00255; A63F 2003/00359; A63F 2003/00362; A63F 2003/00372; A63F 2003/00375; A63F 2003/00378; A63F 2003/00391; A63F 2003/00394; A63F 2003/00457; A63F 2003/00463; A63F 2003/0047; A63F 2003/00473; A63F 2003/00485; A63F 2003/00492; A63F 2003/00545; A63F 2003/00548; A63F 2003/00586; A63F 2003/00589; A63F 2003/0063; A63F 2003/00599; A63F 2003/00927; A63F 2003/00886; A63F 2003/00766; A63F 2003/00741; A63F 2003/00738; A63F 2003/00725; A63F 2003/00719; A63F 2003/00716; A63F 2003/0093; A63F 2007/0041; A63F 2011/0088; A63F 9/14; A63F 9/34; A63F 2009/0615; A63F 2009/345

See application file for complete search history.

(56) **References Cited**

U.S. PATENT DOCUMENTS

D202,361 S * 9/1965 Wolfe D21/492
D217,780 S * 6/1970 Lindroth D11/130.1
D226,120 S * 1/1973 Ogsbury, et al. D21/491
D234,706 S * 4/1975 Harvey D21/489
D234,791 S * 4/1975 McAllister, et al. D21/489
3,998,004 A * 12/1976 Ehrlich A63H 33/046
446/92
4,258,027 A * 3/1981 Ullman A61K 9/2072
424/467
D270,921 S * 10/1983 Morgan D21/335
D285,584 S * 9/1986 Kassai D21/489
4,925,338 A * 5/1990 Kapusta A63H 33/04
220/4.24
D313,436 S * 1/1991 Erickson D21/489
5,183,430 A * 2/1993 Swann A63H 33/04
446/104
D354,526 S * 1/1995 Ryaa D21/489
5,575,701 A * 11/1996 Hantman A63H 33/10
446/104
5,620,325 A * 4/1997 Glick A63H 33/04
434/258
D380,790 S * 7/1997 Gabriel D21/489
D380,792 S * 7/1997 Gabriel D21/489
D384,995 S * 10/1997 Munir D21/491



US D895,017 S

Page 2

D404,089 S *	1/1999	Glickman	D21/489	2011/0039473 A1*	2/2011	Kretzschmar	A63H 33/046
5,947,786 A *	9/1999	Glick	A63H 33/04					446/92
				446/85	2013/0267145 A1*	10/2013	Rosen	A63H 33/046
D423,794 S *	5/2000	Brownfield	D6/300					446/92
D425,138 S *	5/2000	Haddad	D21/386	2014/0179194 A1*	6/2014	Fein	A63H 33/046
D425,575 S *	5/2000	Cyrus	D21/484					446/92
D427,438 S *	7/2000	Dudek	D6/300	2014/0227934 A1*	8/2014	Rudisill	A63H 33/046
6,431,936 B1*	8/2002	Kiribuchi	A63H 33/046					446/92
				446/129	2014/0302741 A1*	10/2014	Whittaker	A63H 33/046
6,500,007 B2*	12/2002	Pupulin	A63H 33/04					446/92
				273/157 R	2015/0072587 A1*	3/2015	Ornstein	A63H 33/046
6,935,075 B2*	8/2005	Sherman	E04B 1/08					446/92
				446/108	2015/0104993 A1*	4/2015	Kennedy	A63H 33/10
7,004,082 B2*	2/2006	Yang	A47B 37/04					446/108
				108/50.12	2016/0074766 A1*	3/2016	Choi	A63H 33/046
7,066,778 B2*	6/2006	Kretzschmar	A63H 33/046					446/92
				446/124	2016/0184727 A1*	6/2016	Ornstein	A63H 33/046
7,154,363 B2*	12/2006	Hunts	H01F 7/0242					446/92
				335/306	2017/0065899 A1*	3/2017	Moskowitz	A63H 33/044
7,160,170 B2*	1/2007	Yoon	A63H 33/046	2017/0232357 A1*	8/2017	Rosen	A63H 33/04
				273/156					446/92
7,833,078 B2*	11/2010	Kretzschmar	A63H 33/046					
				446/137					
7,892,065 B2*	2/2011	Vicentelli	A63H 33/108					
				446/108					
8,187,006 B2*	5/2012	Rudisill	H01R 11/30					
				362/249.06					
8,458,863 B2*	6/2013	Hunts	H01F 7/0242					
				24/303					
8,491,312 B2*	7/2013	Rudisill	H01R 11/30					
				439/39					
D707,306 S *	6/2014	Norman	D21/504					
D715,873 S *	10/2014	Norman	D21/486					
D715,874 S *	10/2014	Norman	D21/486					
D716,384 S *	10/2014	Norman	D21/486					
D729,116 S *	5/2015	Riccobono	D11/165					
9,266,030 B2*	2/2016	Graube	A63H 33/062					
D758,503 S *	6/2016	Sorensen	D21/505					
D771,752 S *	11/2016	Henkin	D21/404					
D773,562 S *	12/2016	Kiribuchi	D21/363					
D773,563 S *	12/2016	Kiribuchi	D21/363					
D773,564 S *	12/2016	Kiribuchi	D21/363					
D784,938 S *	4/2017	Wang	D13/183					
9,636,600 B2*	5/2017	Rudisill	A63H 33/046					
9,643,100 B2*	5/2017	Fein	A63H 33/046					
D789,312 S *	6/2017	Wang	D13/183					
9,669,324 B2*	6/2017	Roth	A63H 33/062					
9,713,777 B2*	7/2017	Peterson	A63H 33/046					
D799,603 S *	10/2017	Wang	D21/386					
D799,604 S *	10/2017	Wang	D21/386					
D813,955 S *	3/2018	Henkin	D21/404					
D823,946 S *	7/2018	Henkin	D21/404					
D827,720 S *	9/2018	Whang	D21/404					
D827,721 S *	9/2018	Whang	D21/404					
D829,825 S *	10/2018	Henkin	D21/404					
D849,854 S *	5/2019	Hardstaff	D21/505					
D867,263 S *	11/2019	Ornstein	D21/505					
D869,567 S *	12/2019	Holman	D21/484					
2001/0010992 A1*	8/2001	Brazier	A63H 33/04					
				446/108					
2002/0119725 A1*	8/2002	Pupulin	A63H 33/10					
				446/85					
2006/0240737 A1*	10/2006	Yoon	A63H 33/046					
				446/92					
2010/0087119 A1*	4/2010	Vicentelli	A63H 33/046					
				446/92					
2010/0197148 A1*	8/2010	Rudisill	H01R 13/2407					
				439/40					

* cited by examiner

Primary Examiner — Susan Moon Lee

(74) Attorney, Agent, or Firm — Leydig Voit & Mayer, Ltd.

(57)

CLAIM

The ornamental design for an assembling game plate, as shown and described.

DESCRIPTION

FIG. 1 is a front view of an assembling game plate of the present invention including a housing, ribs, magnets and hollow passage.

FIG. 2 is a rear view thereof.

FIG. 3 is a top plan view thereof.

FIG. 4 is a bottom view thereof.

FIG. 5 is a right side view thereof.

FIG. 6 is a left side view thereof.

FIG. 7 is a perspective view thereof.

FIG. 8 is an enlarged sectional view thereof taken along section line 8-8 of FIG. 1.

FIG. 9 is an enlarged sectional view thereof taken along section line 9-9 of FIG. 3.

FIG. 10 is an enlarged view of the portion indicated by arrows 10-10 of the assembling game plate of FIG. 3.

FIG. 11 is an enlarged view of the portion indicated by arrows 11-11 of the assembling game plate of FIG. 3.

FIG. 12 is an enlarged view of the portion indicated by arrows 12-12 of the assembling game plate of FIG. 4; and,

FIG. 13 is an enlarged view of the portion indicated by arrows 13-13 of the assembling game plate of FIG. 4.

The alternating long and short dashed lines indicate bounds of the claimed design and form no part thereof.

The features shown in broken lines are included to illustrate portions of the assembling game plate and form no part of the claimed design.

1 Claim, 13 Drawing Sheets

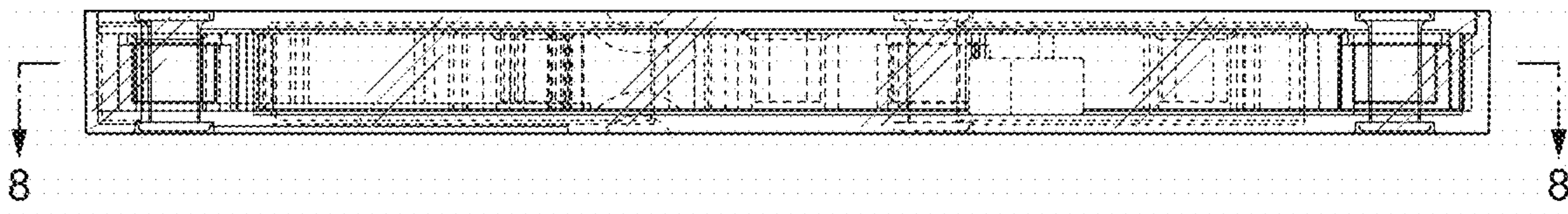


FIG. 1

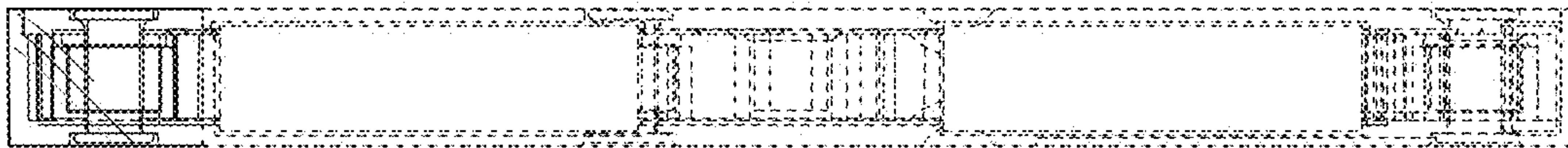


FIG. 2

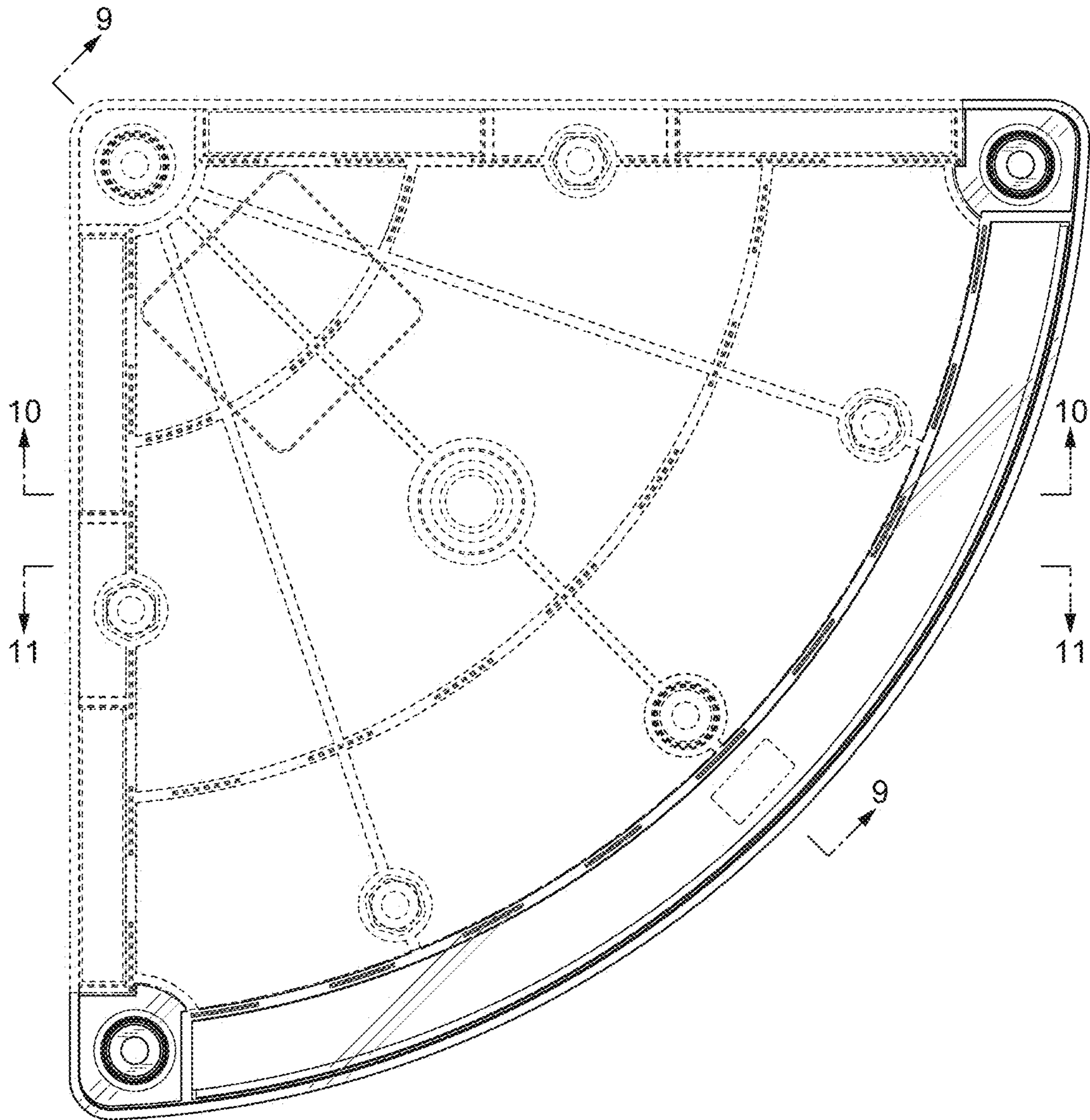


FIG. 3

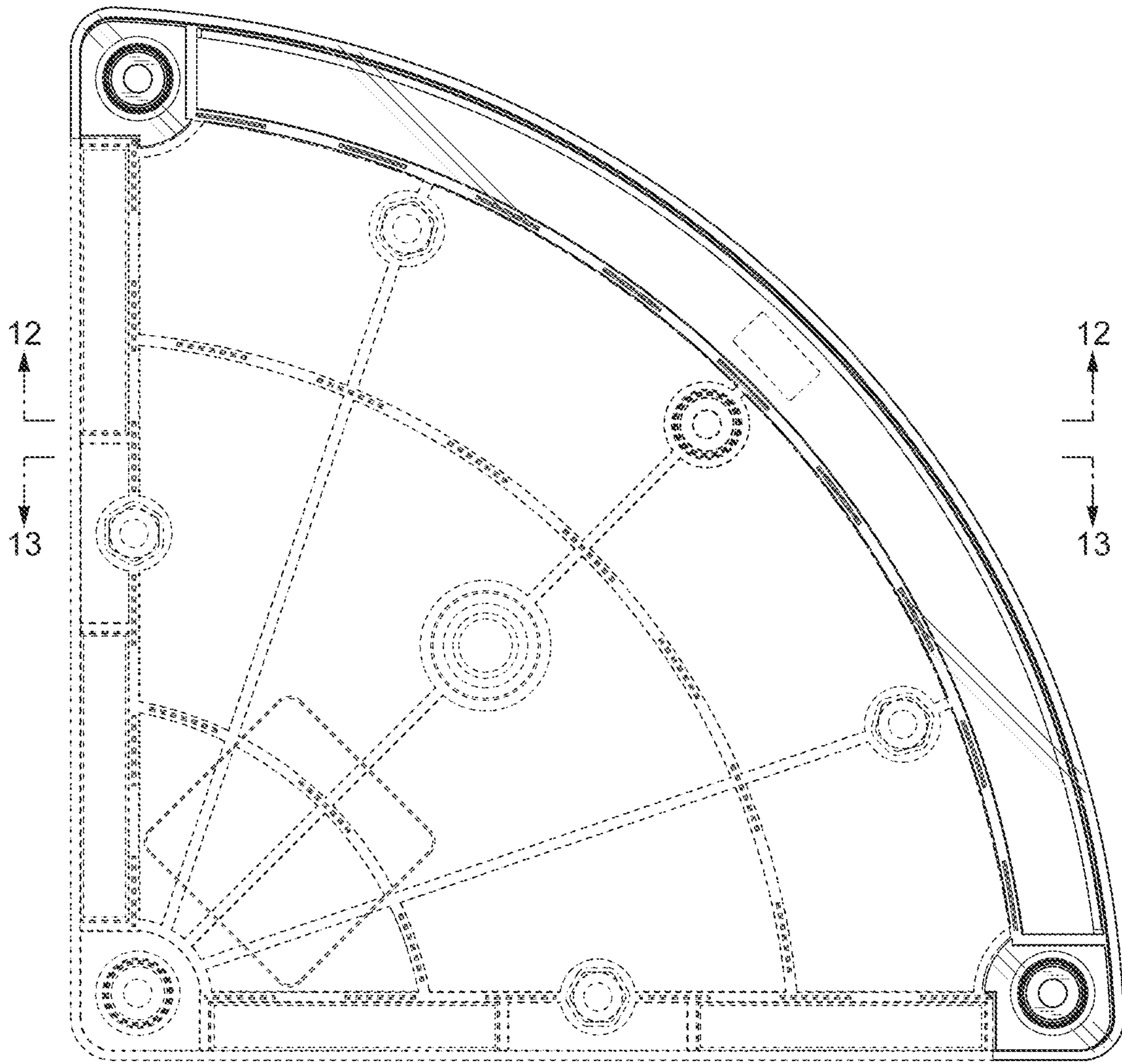


FIG. 4

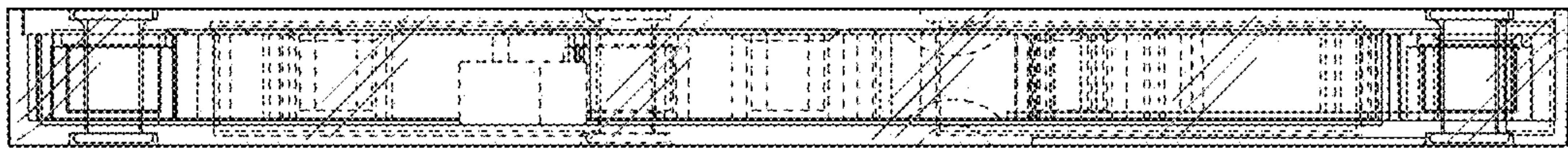


FIG. 5

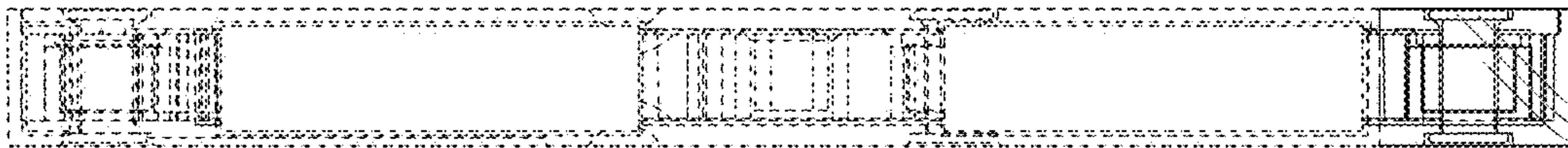


FIG. 6

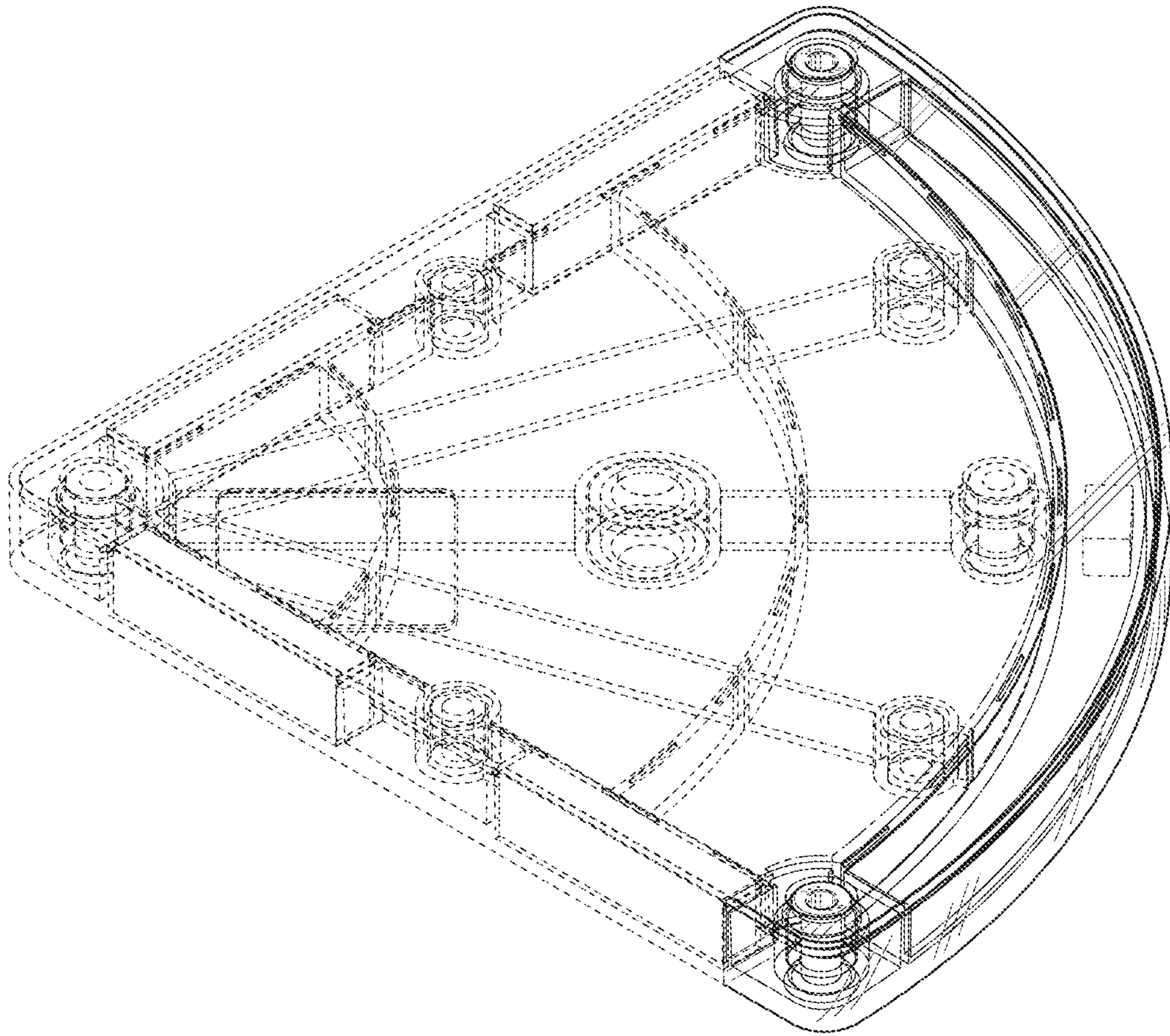


FIG. 7

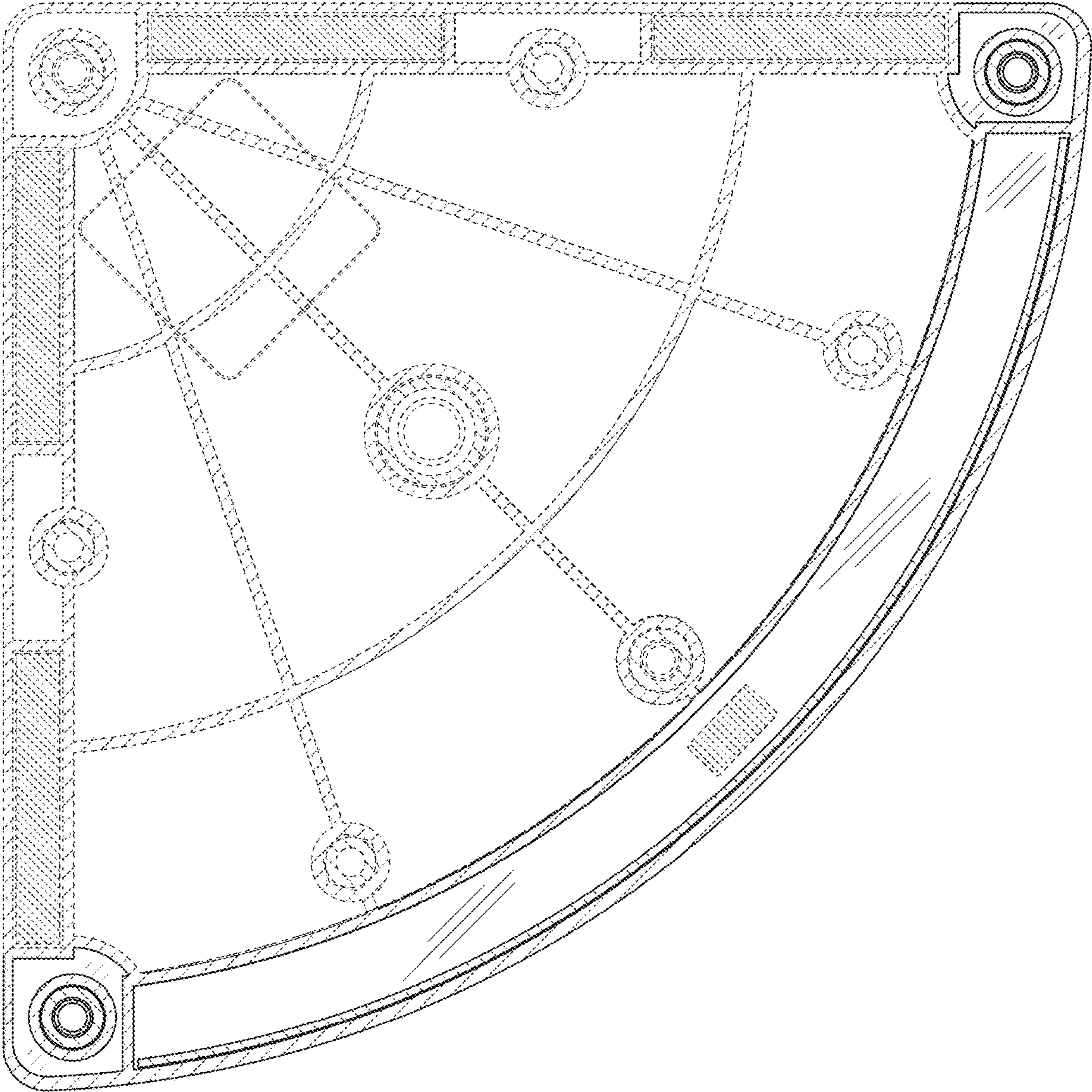


FIG. 8

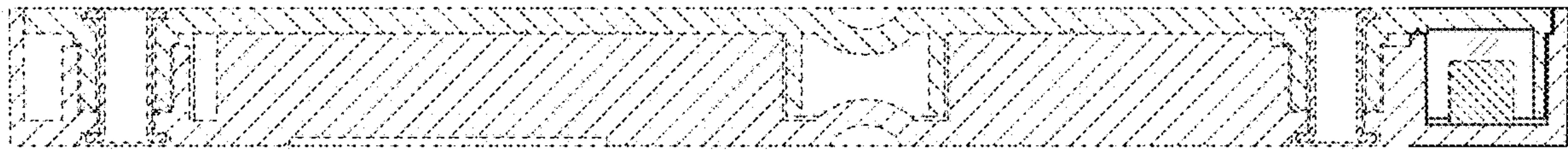


FIG. 9

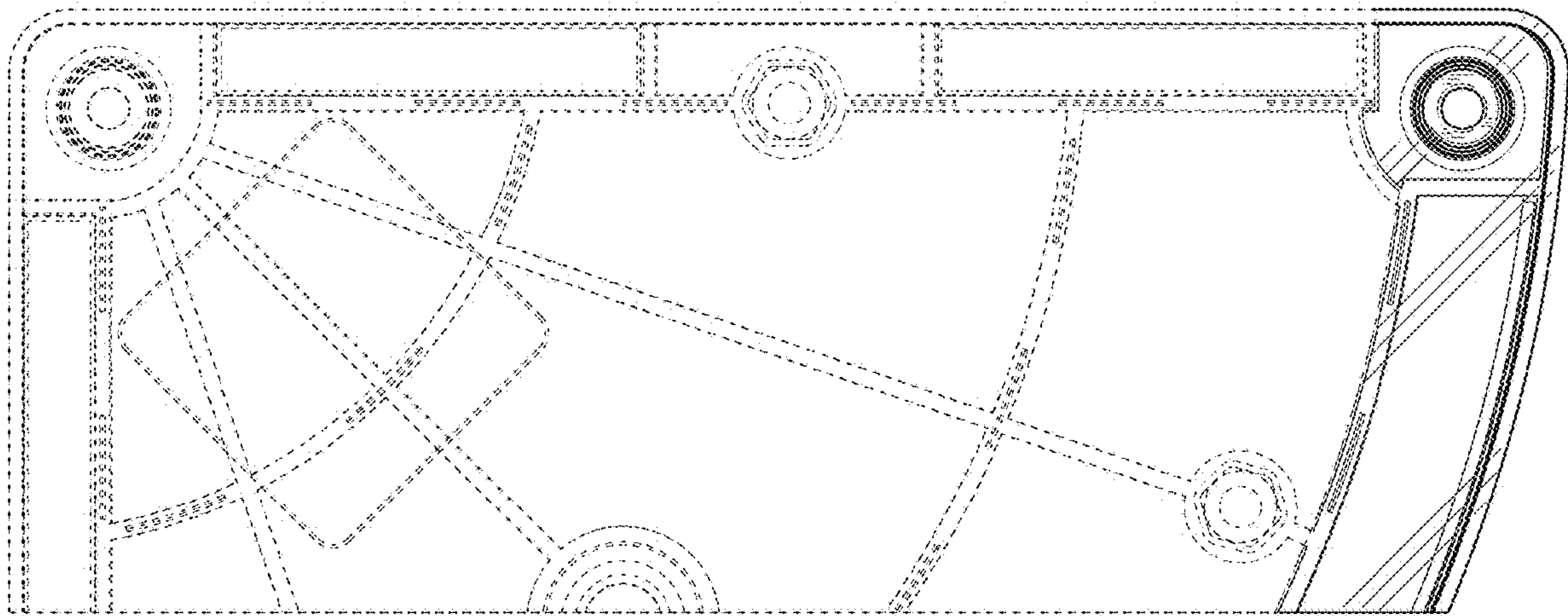


FIG. 10

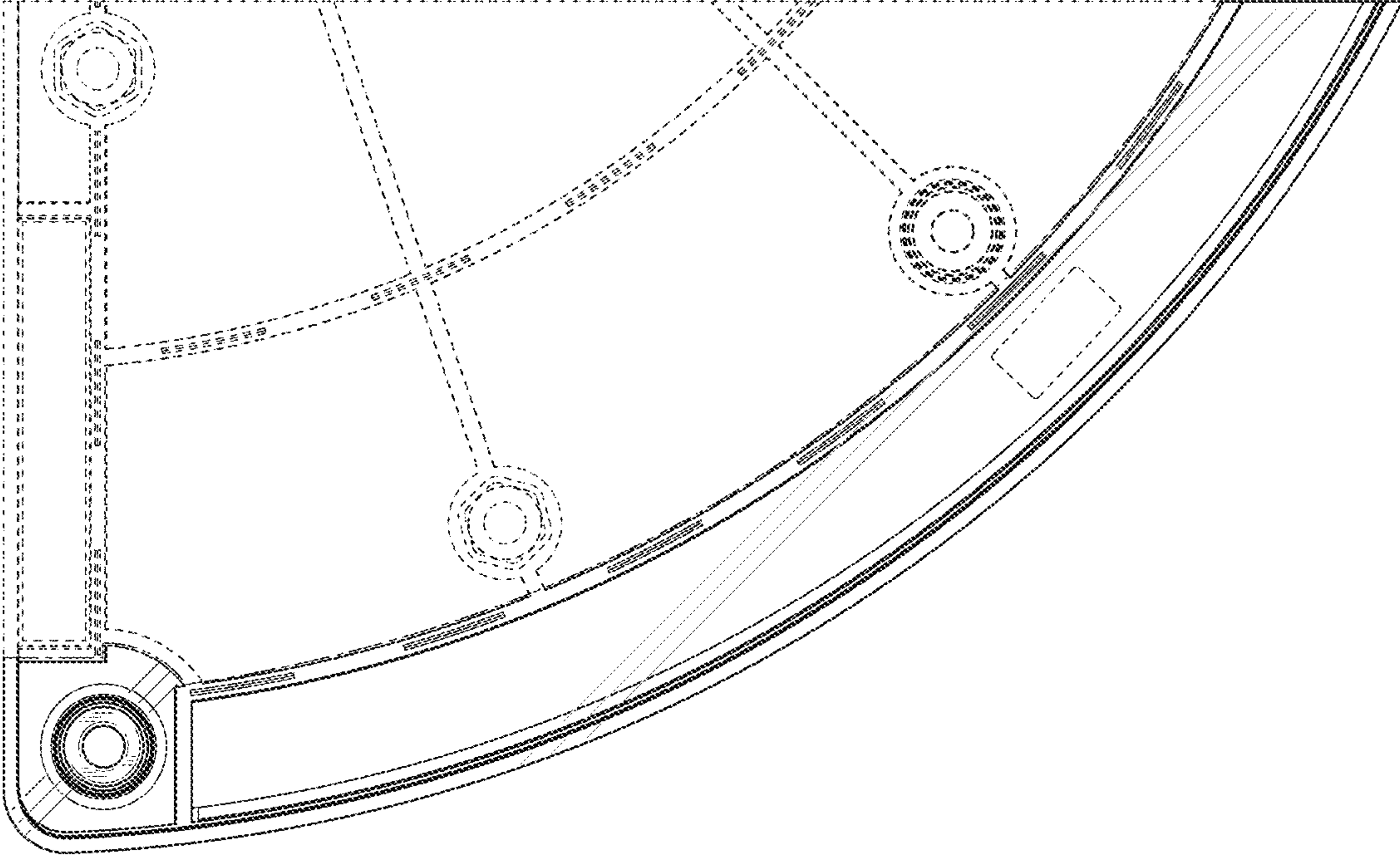


FIG. 11

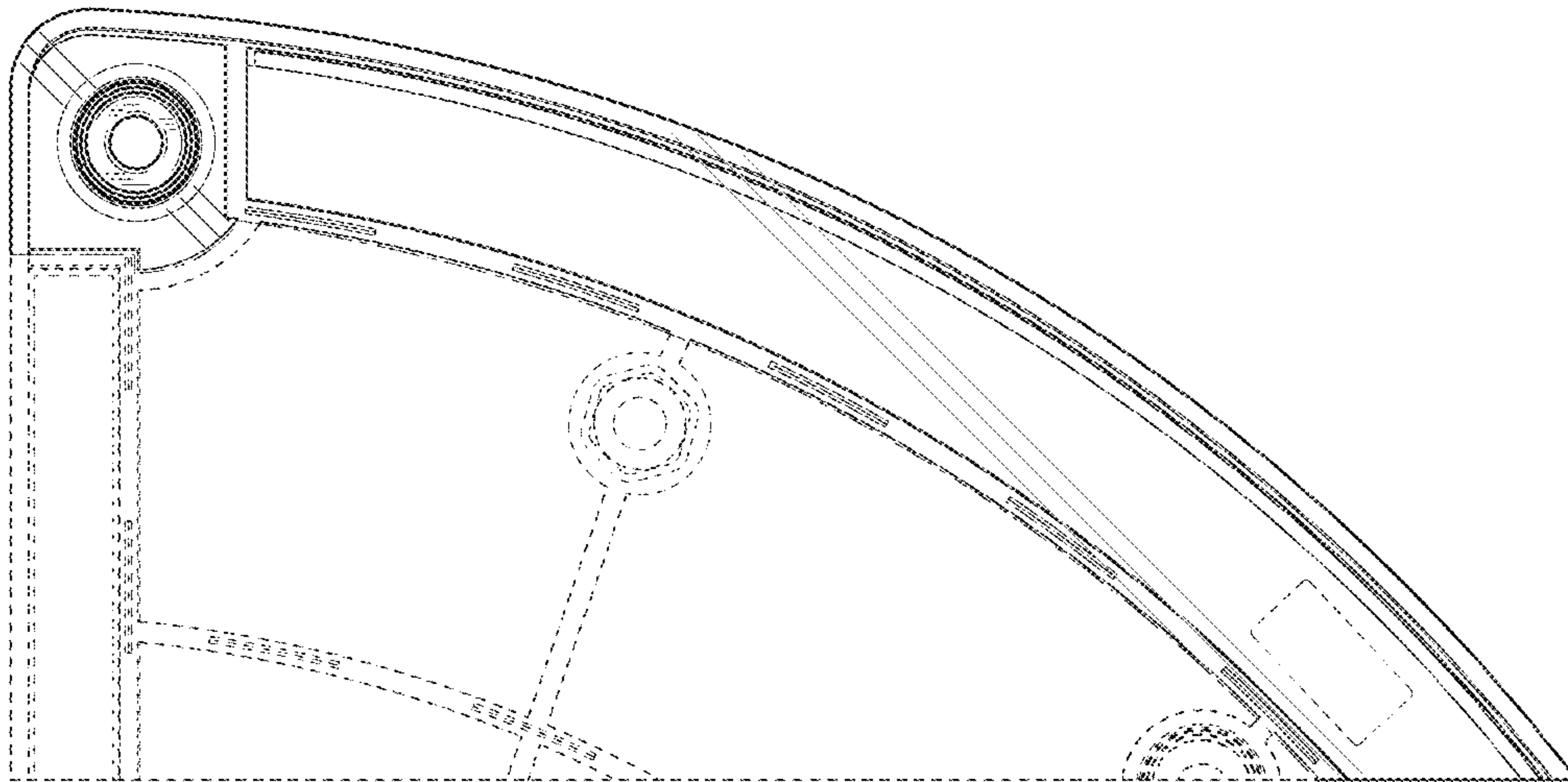


FIG. 12

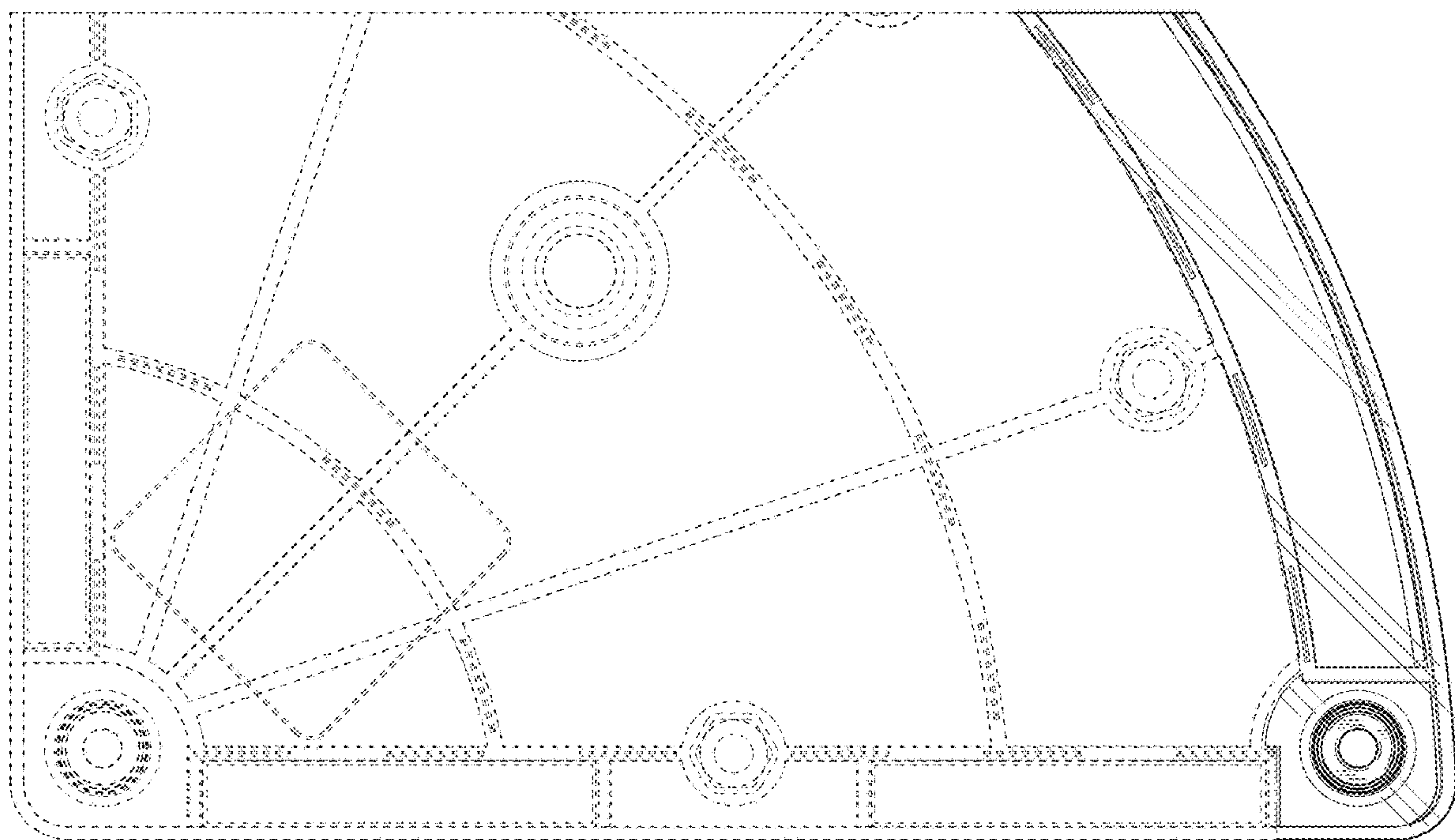


FIG. 13