



US00D895015S

(12) **United States Design Patent**
Zhang

(10) **Patent No.:** **US D895,015 S**

(45) **Date of Patent:** **** Sep. 1, 2020**

(54) **ALTERNATIVE REALITY GAME CONTROLLER**
(71) Applicant: **Shenzhen Cobirey Technology Co., Ltd.**, Guangdong (CN)

(72) Inventor: **Qiaorong Zhang**, Guangdong (CN)

(**) Term: **15 Years**

(21) Appl. No.: **29/626,292**

(22) Filed: **Nov. 16, 2017**

(30) **Foreign Application Priority Data**

Jul. 4, 2017 (CN) 2017 3 0289256

(51) **LOC (12) Cl.** **21-01**

(52) **U.S. Cl.**
USPC **D21/333**

(58) **Field of Classification Search**
USPC D21/324, 332, 333-337, 566, 572-574, D21/328; D13/103, 108; D14/217, 218, D14/356, 387, 388, 389, 400, 401, 415, D14/418, 426-431, 443, 447, 449, 450, D14/454, 455, 471, 474, 483, 496, 511
CPC A63F 13/00; A63F 13/98; A63F 13/24; A63F 9/0291; A63F 9/00; A63F 9/02; A63F 9/24; A63F 2300/00
See application file for complete search history.

(56) **References Cited**

U.S. PATENT DOCUMENTS

D398,661 S * 9/1998 Lee D21/333
D521,568 S * 5/2006 Hussaini D14/418

D660,925 S * 5/2012 Jablonski D21/573
D687,904 S * 8/2013 Hadley D21/573
D715,847 S * 10/2014 Herrero D16/243
D834,112 S * 11/2018 Chu D21/573
D844,003 S * 3/2019 Lai D14/418
D845,302 S * 4/2019 Waldman D14/418
2014/0090629 A1* 4/2014 Pedersen F41B 7/08
124/16
2015/0328557 A1* 11/2015 Cheng A63H 5/04
446/405
2015/0330739 A1* 11/2015 Wei B25B 15/00
124/56

* cited by examiner

Primary Examiner — Sandra S Snapp

Assistant Examiner — Mehri Bajoul

(74) *Attorney, Agent, or Firm* — Prakash Nama; Global IP Services, PLLC

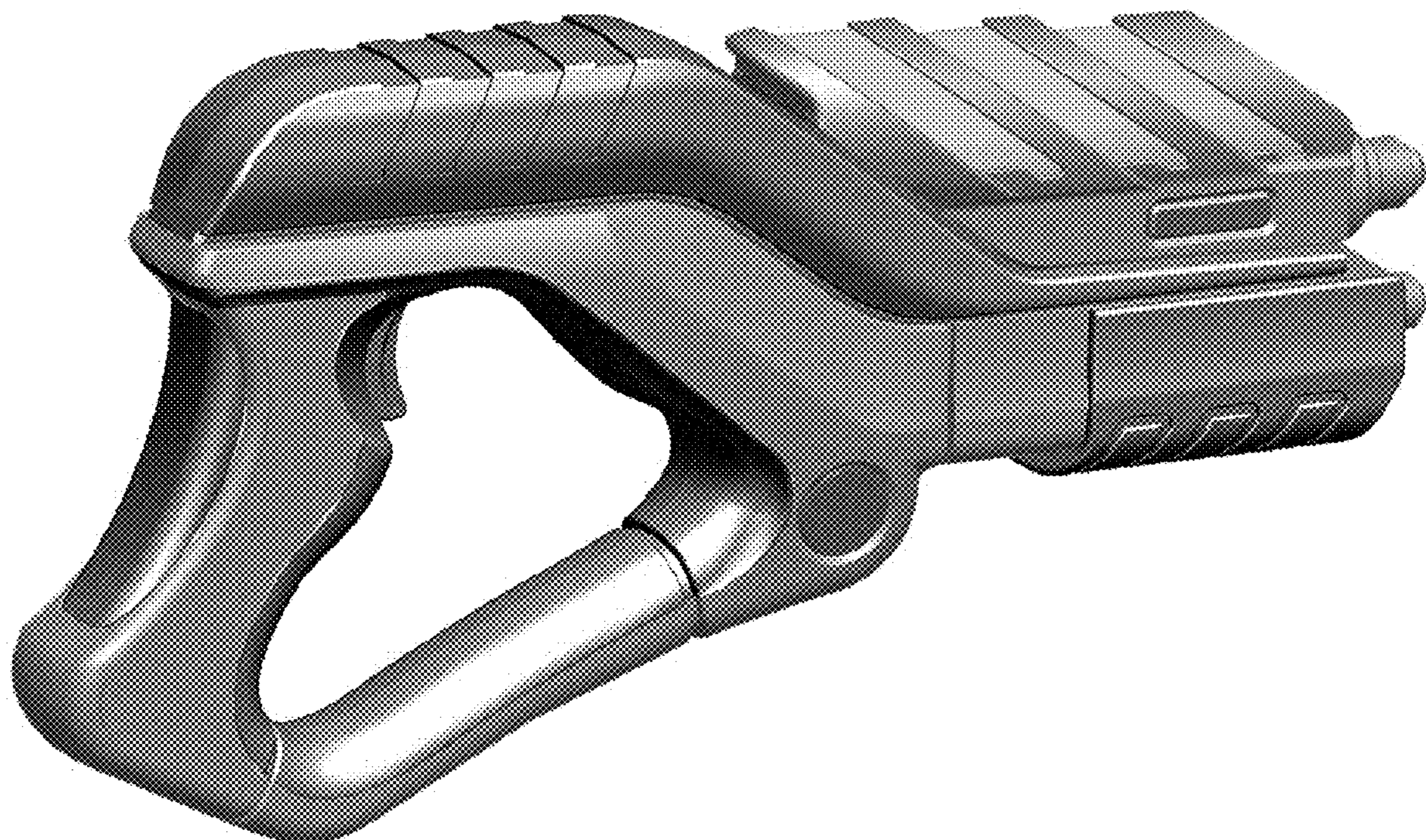
(57) **CLAIM**

The ornamental design for an alternative reality game controller, as shown and described.

DESCRIPTION

FIG. 1 is a front elevational view of an alternative reality game controller showing my new design; FIG. 2 is a rear elevational view thereof; FIG. 3 is a left side view thereof; FIG. 4 is a right side view thereof; FIG. 5 is a top plan view thereof; FIG. 6 is a bottom plan view thereof; and, FIG. 7 is a perspective view thereof.

1 Claim, 3 Drawing Sheets



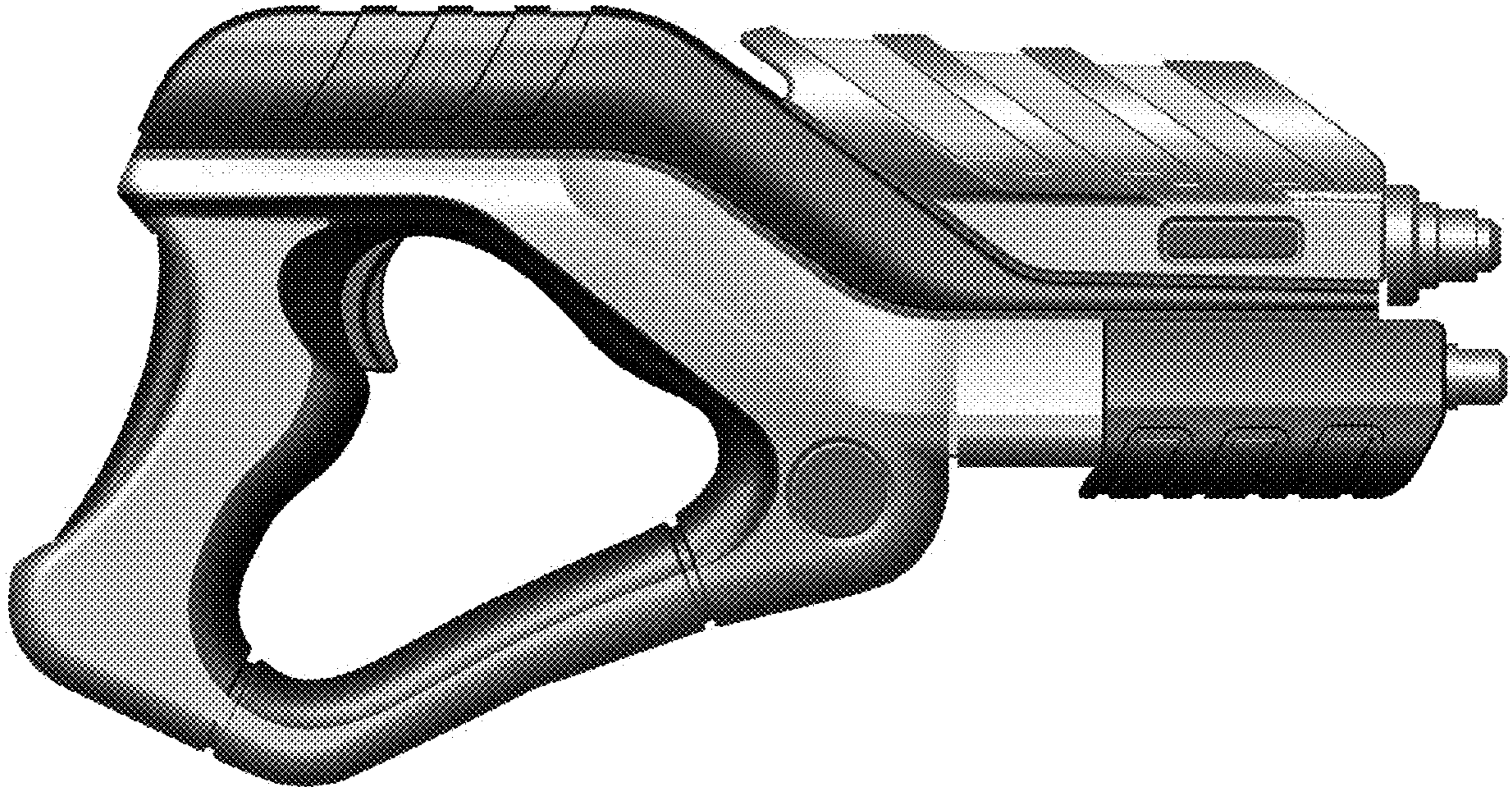


FIG. 1

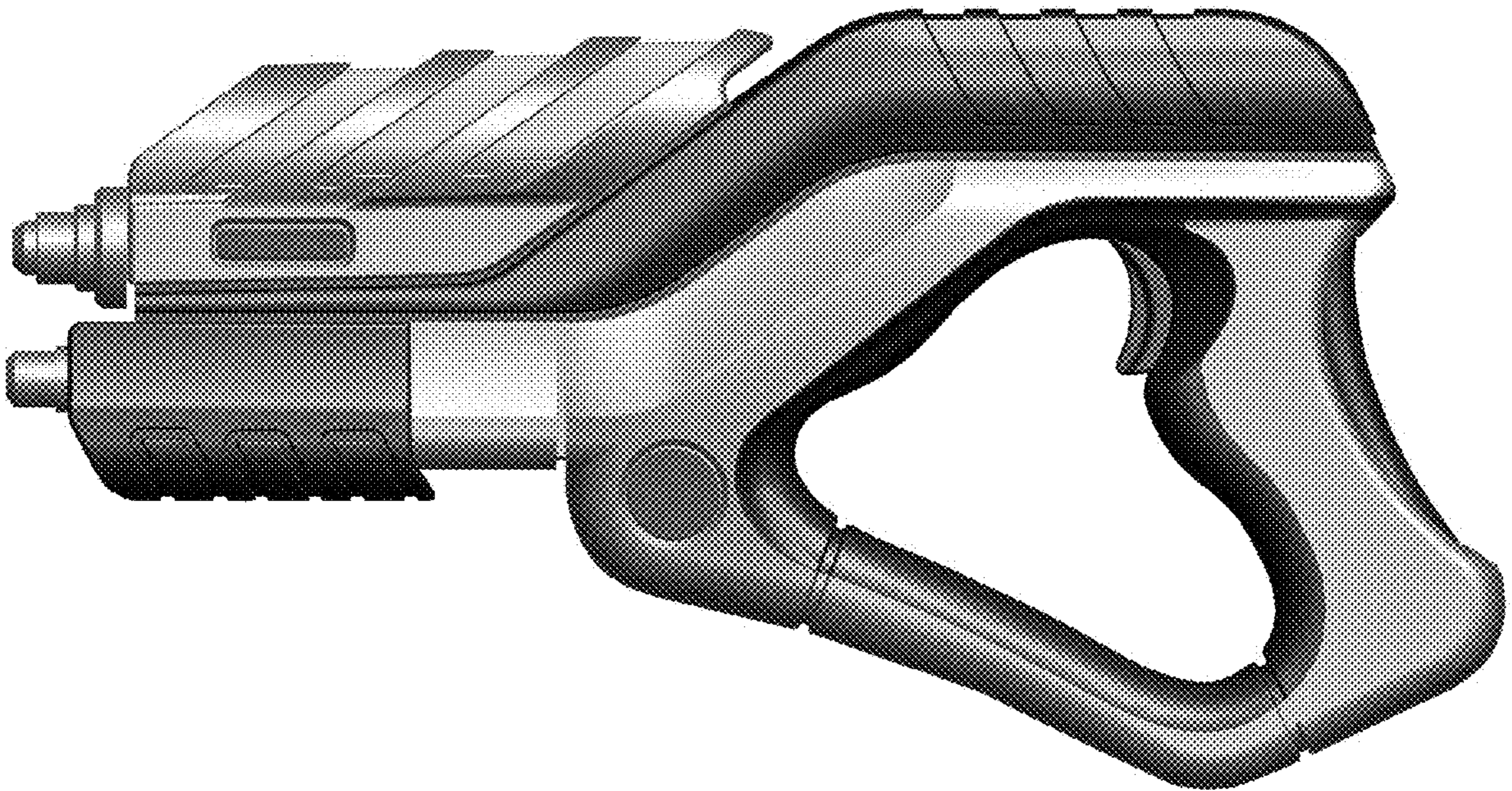


FIG. 2

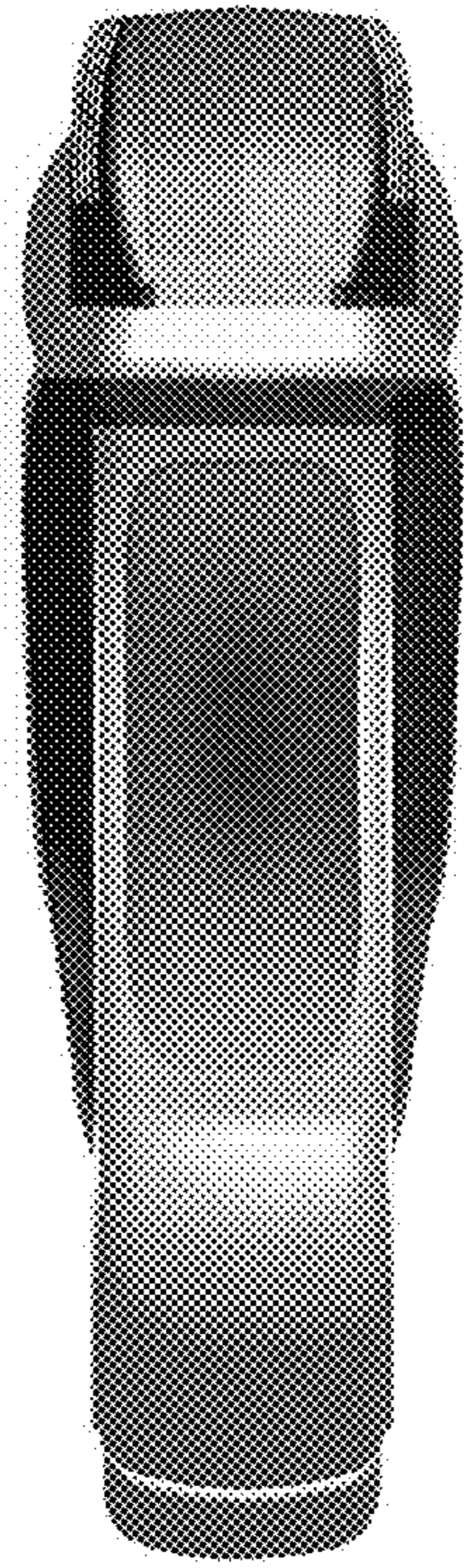


FIG. 3



FIG. 4

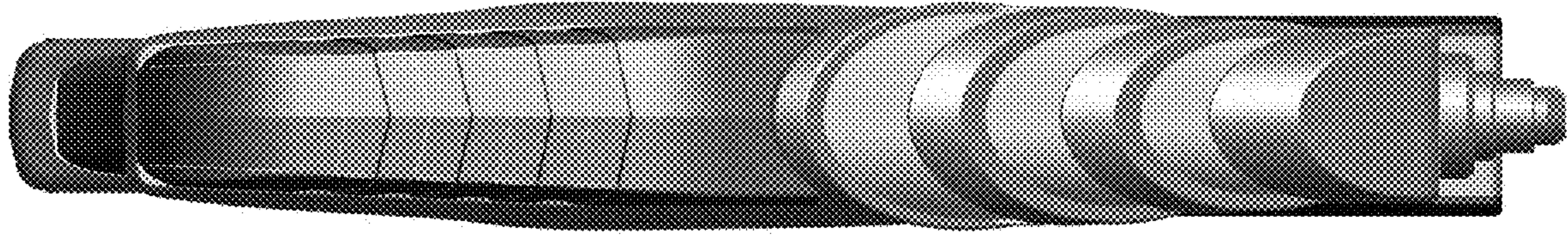


FIG. 5

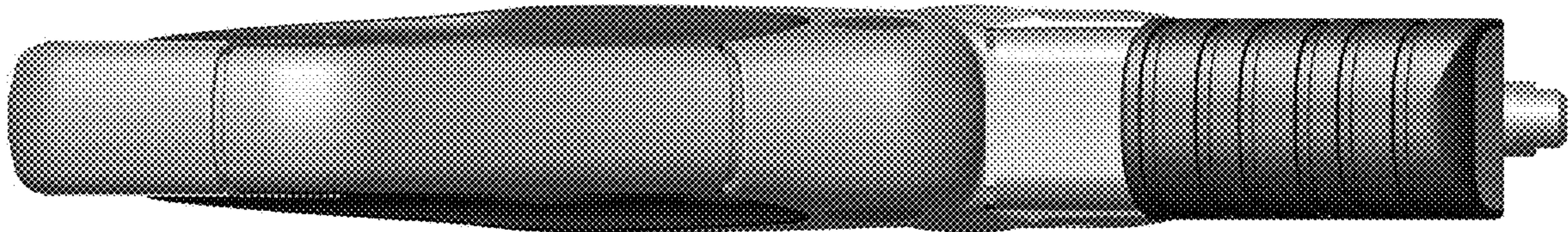


FIG. 6

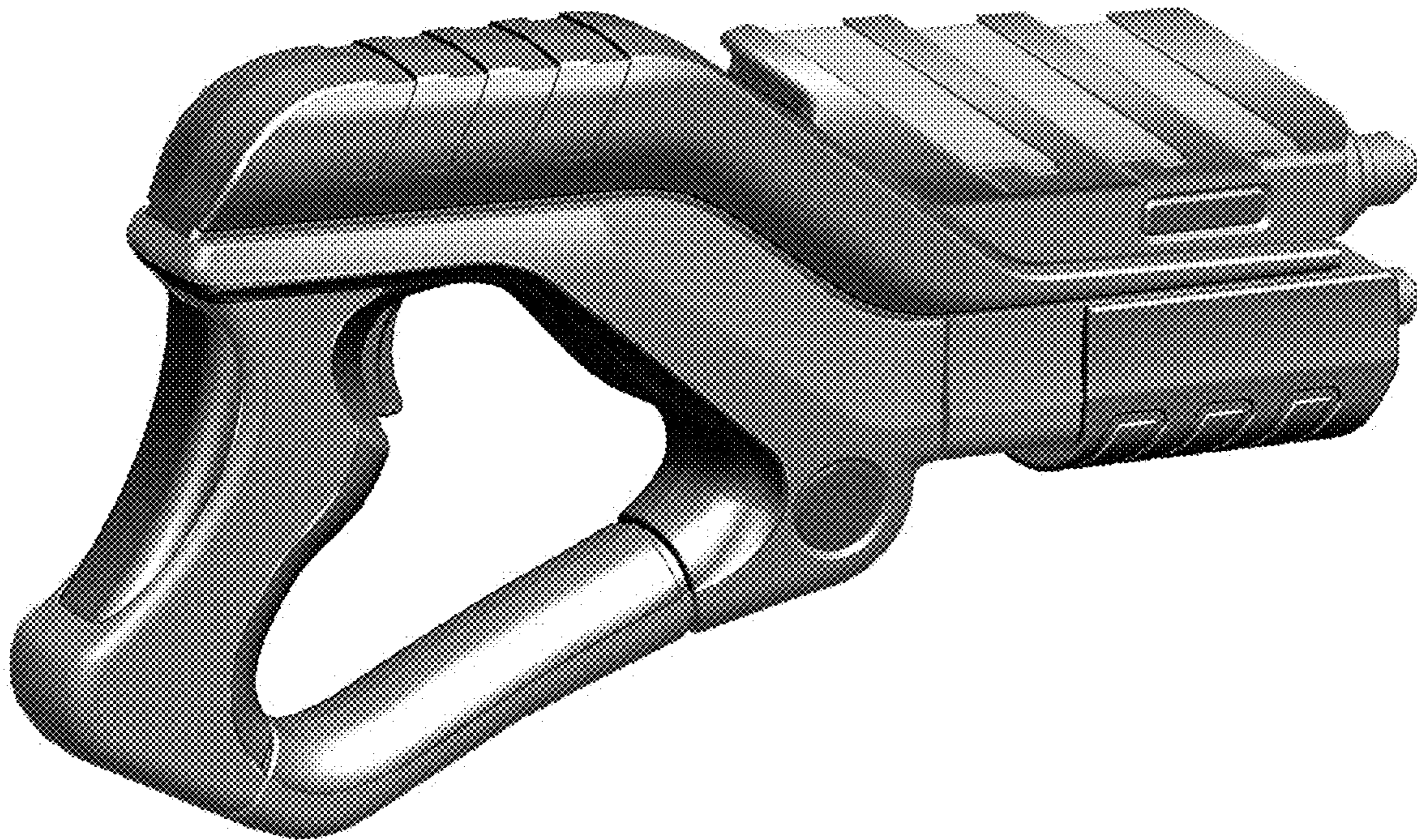


FIG. 7