



US00D895012S

(12) **United States Design Patent**
Schnug

(10) **Patent No.:** **US D895,012 S**

(45) **Date of Patent:** **** Sep. 1, 2020**

(54) **PEN**
(71) Applicant: **Pagani Pens SA**, Cadempino (CH)
(72) Inventor: **Christoph Schnug**, Berlin (DE)
(**) Term: **15 Years**

D383,162 S * 9/1997 Worther D19/173
D580,977 S * 11/2008 Li D19/173
D644,691 S * 9/2011 Pagani D19/173
D686,280 S * 7/2013 Shibata D19/173
D694,326 S * 11/2013 Cambianica D19/173
D713,881 S * 9/2014 Koch D19/173
D783,093 S * 4/2017 Miller D19/173

* cited by examiner

(21) Appl. No.: **35/507,577**
(22) Filed: **Apr. 2, 2019**

Primary Examiner — Khawaja Anwar

(80) **Hague Agreement Data**

Int. Filing Date: **Apr. 2, 2019**
Int. Reg. No.: **DM/203430**
Int. Reg. Date: **Apr. 2, 2019**
Int. Reg. Pub. Date: **Oct. 25, 2019**

(57) **CLAIM**

The ornamental design for a pen, as shown and described.

(51) **LOC (12) Cl.** **19-06**

(52) **U.S. Cl.**
USPC **D19/171**

DESCRIPTION

(58) **Field of Classification Search**
USPC D19/115–204; D14/411
CPC B43K 24/03; B43K 23/12; B43K 23/001;
G09B 5/04; G06F 3/03545
See application file for complete search history.

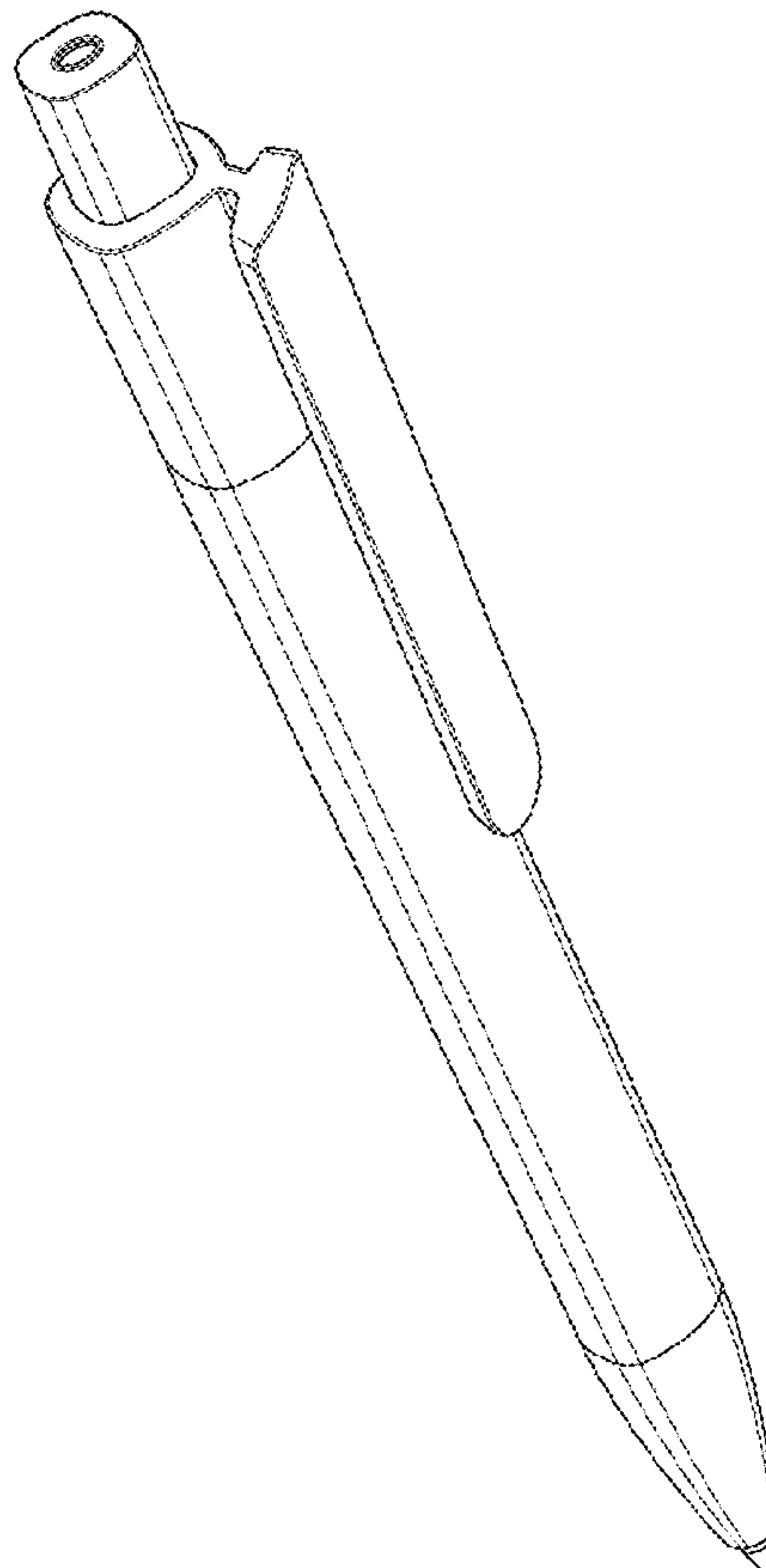
- 1. Pen
- 1.1 : Perspective
- 1.2 : Front
- 1.3 : Back
- 1.4 : Right
- 1.5 : Left
- 1.6 : Top
- 1.7 : Bottom

(56) **References Cited**

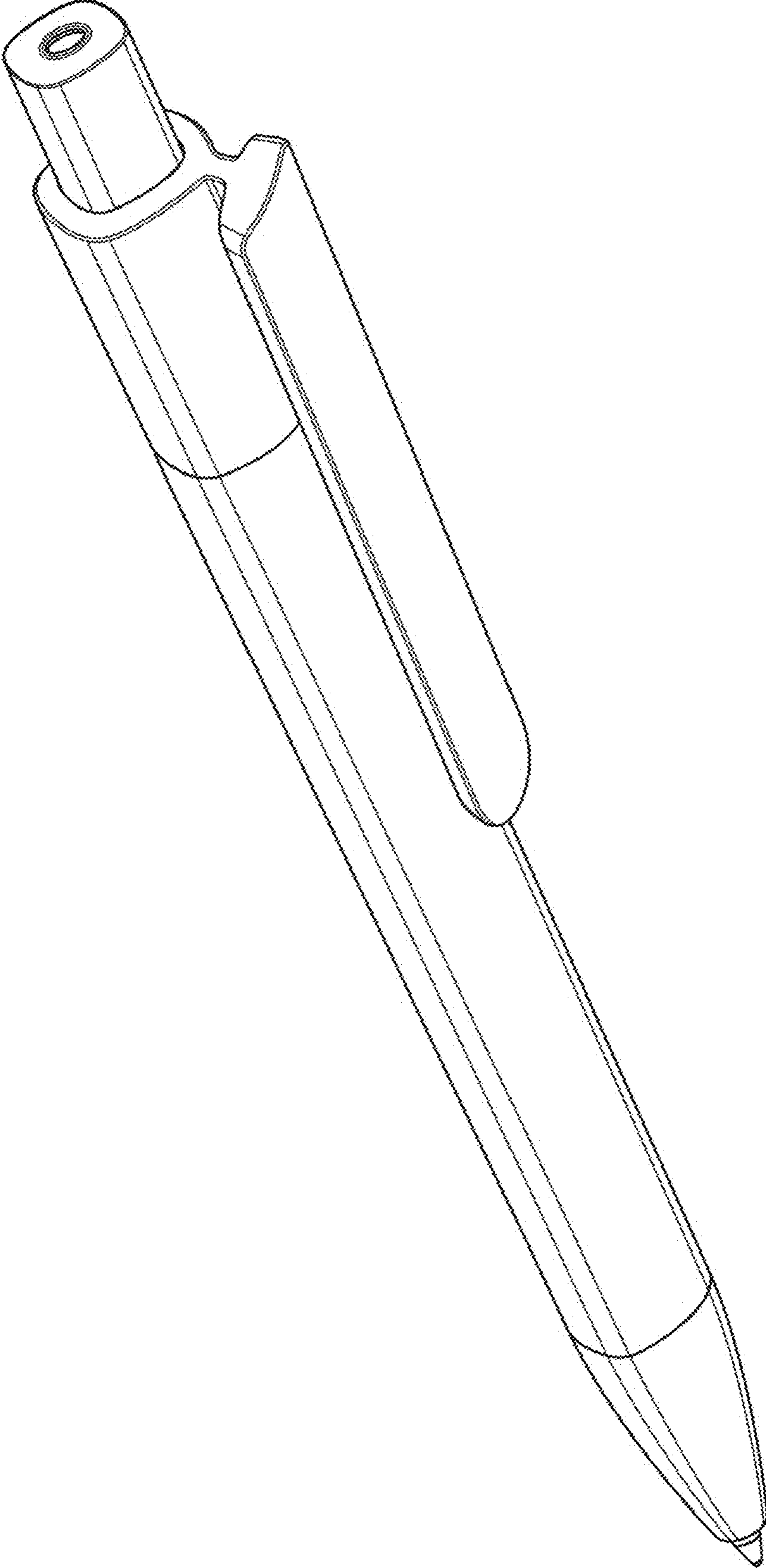
U.S. PATENT DOCUMENTS

D342,088 S * 12/1993 Sonntag 401/82

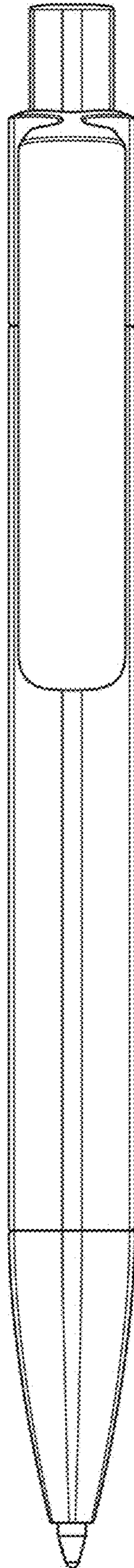
1 Claim, 7 Drawing Sheets



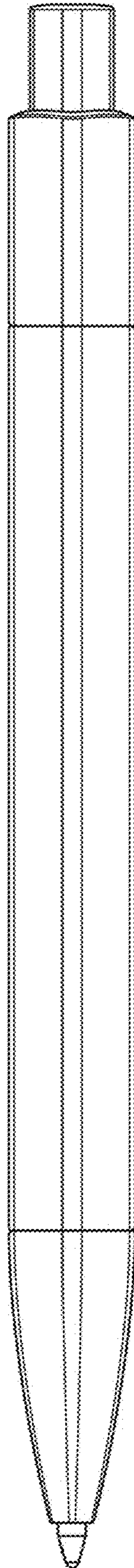
1.1



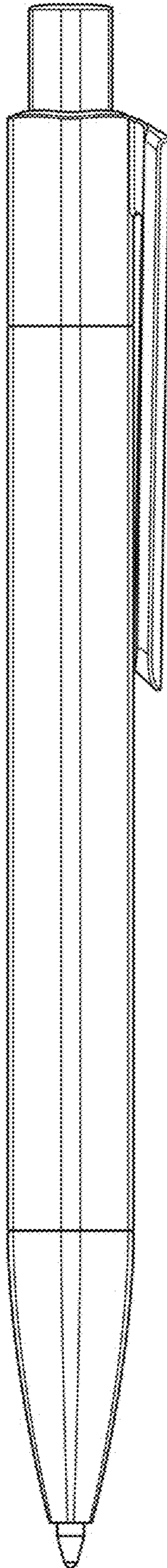
1.2



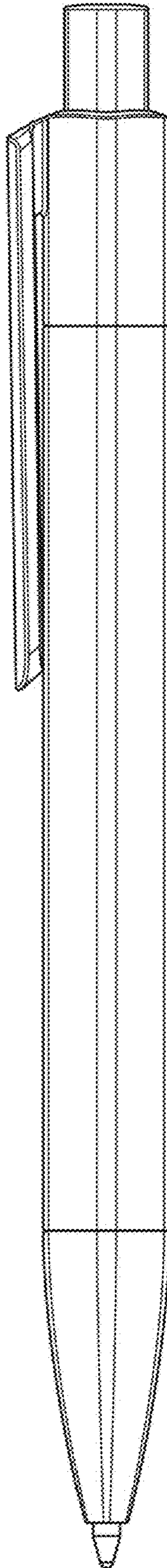
1.3



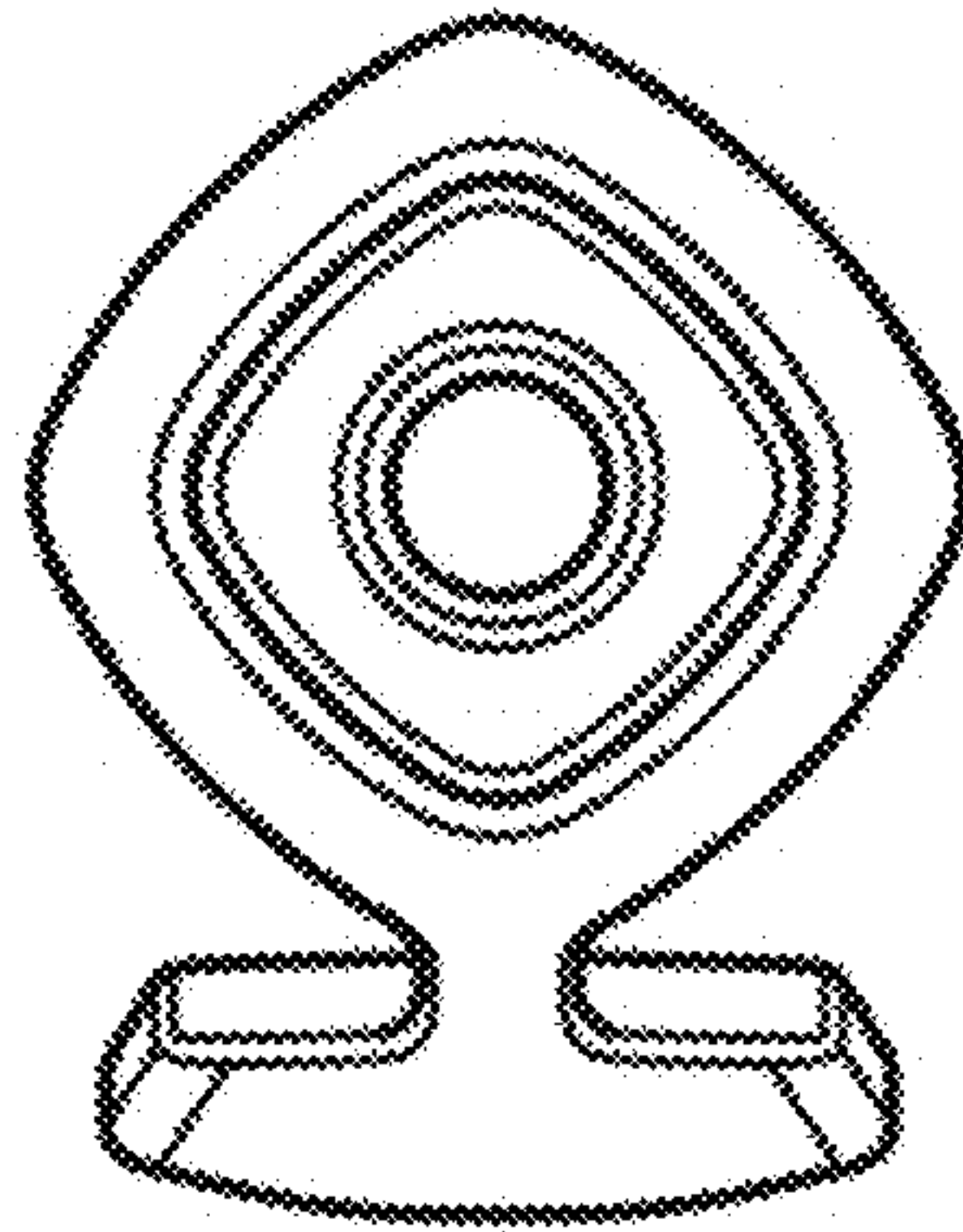
1.4



1.5



1.6



1.7

