



US00D895006S

(12) **United States Design Patent** (10) **Patent No.:** **US D895,006 S**
Zingre et al. (45) **Date of Patent:** **** Sep. 1, 2020**

(54) **CARD HOLDER**

(71) Applicant: **Amazon Technologies, Inc.**, Seattle, WA (US)
(72) Inventors: **Erin Zingre**, Seattle, WA (US); **Hersh Narayan**, Seattle, WA (US); **Deana Lyn Jirak**, Seattle, WA (US); **Carrie Rosengren**, Seattle, WA (US); **Vivek Singh**, Seattle, WA (US); **Suhag Saraiya**, Issaquah, WA (US); **Manish R. Bansal**, Snoqualmie, WA (US); **Danielle Tobin**, Alpharetta, GA (US); **Averil Brannen**, Alpharetta, GA (US)

(73) Assignee: **Amazon Technologies, Inc.**, Seattle, WA (US)

(**) Term: **15 Years**

(21) Appl. No.: **29/703,699**

(22) Filed: **Aug. 29, 2019**

Related U.S. Application Data

(62) Division of application No. 29/637,770, filed on Feb. 21, 2018, now Pat. No. Des. 875,174.

(51) **LOC (12) Cl.** **19-08**

(52) **U.S. Cl.**
USPC **D19/9**

(58) **Field of Classification Search**
USPC D19/1-8, 82, 100; 40/124.01-124.15, 40/582, 540, 443, 442, 902, 672, 617,
(Continued)

(56) **References Cited**

U.S. PATENT DOCUMENTS

D430,899 S 9/2000 Miller
D489,971 S 5/2004 Tamez
(Continued)

OTHER PUBLICATIONS

“Free Ladybug Pattern Printable”, The Soccer Mom Blog, link originally found on Dec. 11, 2017 at «<https://thesoccermomblog.com/free-ladybug-pattern-printable/>», 7 pages.

(Continued)

Primary Examiner — Abraham Bahta
(74) *Attorney, Agent, or Firm* — Lee & Hayes, P.C.

(57) **CLAIM**

The ornamental design for a card holder, as shown and described.

DESCRIPTION

FIG. 1 is a first front view of the card holder shown in a closed position. The features of the card holder sequentially transition between the images shown in FIGS. 1-4.

FIG. 2 is a second front view of the card holder shown in a ¼ opened position.

FIG. 3 is a third front view of the card holder shown in a ½ opened position.

FIG. 4 is a fourth front view of the card holder shown in a ¾ opened position.

FIG. 5 is a fifth front view of the card holder shown in the ¼ opened position with a disclaimed gift card. The features of the card holder sequentially transition between the images shown in FIGS. 1 and 5-7.

FIG. 6 is a sixth front view of the card holder shown in the ½ opened position with the disclaimed gift card.

FIG. 7 is a seventh front view of the card holder shown in the ¾ opened position with the disclaimed gift card.

FIG. 8 is a right-side view of the card holder with the disclaimed gift card.

FIG. 9 is a left-side view of the card holder with the disclaimed gift card.

FIG. 10 is a top view of the card holder with the disclaimed gift card.

FIG. 11 is a bottom view of the card holder with the disclaimed gift card.

(Continued)

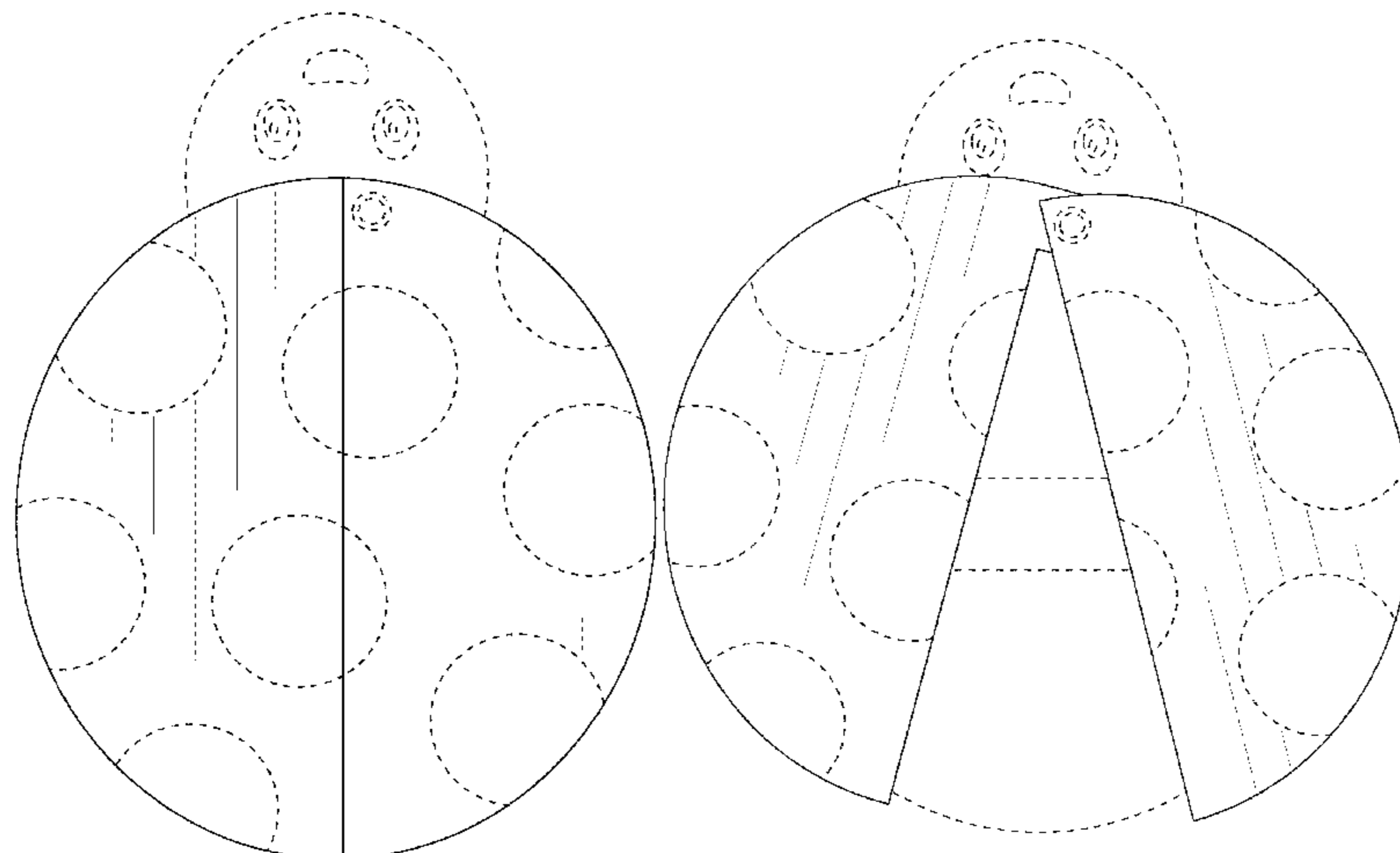


FIG. 12 is a first back view of the card holder of FIG. 1 shown in the closed position. The features of the card holder sequentially transition between the images shown in FIGS. 12-15.

FIG. 13 is a second back view of the card holder of FIG. 12 shown in the 1/4 opened position.

FIG. 14 is a third back view of the card holder of FIG. 12 shown in the 1/2 opened position; and,

FIG. 15 is a fourth back view of the card holder of FIG. 12 shown in the 3/4 opened position.

The broken lines depict portions of the card holder or environment of the card holder that form no part of the claimed design.

1 Claim, 15 Drawing Sheets

(58) **Field of Classification Search**

USPC 40/599, 331, 359, 360, 625, 717, 455,
40/124.191, 493, 501; 446/147, 215, 217,
446/227, 228, 236, 238; 206/449, 308.3,
206/307; 428/42.1, 203-204, 913.3,
428/7-11, 15-18, 542.2; 283/2-4, 74-75,
283/91, 103, 105-106; D20/10, 22, 42,
D20/27, 40; 229/92, 92.1, 92.8, 300-303
CPC B42D 25/00; B42D 25/20; B42D 25/23;
B42D 25/26; B42D 25/29; B42D 25/30;
B42D 25/285; B42D 15/022; B42D
15/027; B42D 15/045; B42D 15/042;
B42D 2033/00; B42D 2033/02; B42D
2033/04; B42D 2033/08; B42D 2033/10;
B42D 2033/16; B42D 2033/18; B42D
2033/20; B42D 2033/22; B42D 2033/28;
B42D 2033/30; G09F 1/00; G09F 1/06;
G09F 1/08; G09F 19/02; G09F 19/08;
A47B 63/00; B42F 7/02; A47F 7/14;
A47F 7/142

See application file for complete search history.

(56)

References Cited

U.S. PATENT DOCUMENTS

D533,804 S	12/2006	Anastasiadis	
D615,828 S	5/2010	Shamoon	
D616,264 S	5/2010	Shamoon	
D622,763 S	8/2010	Lamm et al.	
D635,187 S	3/2011	Pompei et al.	
D661,733 S	6/2012	Smith	
D688,137 S	8/2013	Kuo et al.	
D722,644 S	2/2015	Scott	
D728,022 S	4/2015	Skinn	
D729,313 S	5/2015	Glass et al.	
D759,751 S	6/2016	Jeremiah	
D769,973 S	10/2016	Benoni	
D778,354 S	2/2017	Shlonsky et al.	
D782,323 S	3/2017	Sezanayev	
D797,186 S	9/2017	Nelson et al.	
D802,660 S	11/2017	Pryor	
D813,946 S	3/2018	Melendez	
D819,730 S	6/2018	Flores et al.	
D826,323 S	8/2018	Schwab	
D831,108 S	10/2018	Dennis	
D832,111 S	10/2018	Lai	
D836,455 S	12/2018	Gillespie	
D875,174 S *	2/2020	Zingre	D19/9

OTHER PUBLICATIONS

“Ladybug craft designs”, Bing images, original link found Dec. 17, 2017 at <<https://www.bing.com/images/search?q=ladybug+craft+designs&qpv=ladybug+craft+designs&FORM=IGRE>>, 4 pages.

“Ladybug Teacher Thank You Card”, The Soccer Mom Blog, link originally found Dec. 11, 2017 at <https://thesoccermomblog.com/ladybug-teacher-thank-you-card/?utm_medium=social&utm_source=pinterest&utm_campaign=tailwind_tribes&utm_content=tribes>, 13 pages.

Amazon.com “Gift Card in a Red Gift Box Reveal”, retrieved on Jan. 17, 2018 at <<https://www.amazon.com/dp/B01K8RL0AI/>>, 7 pages.

* cited by examiner

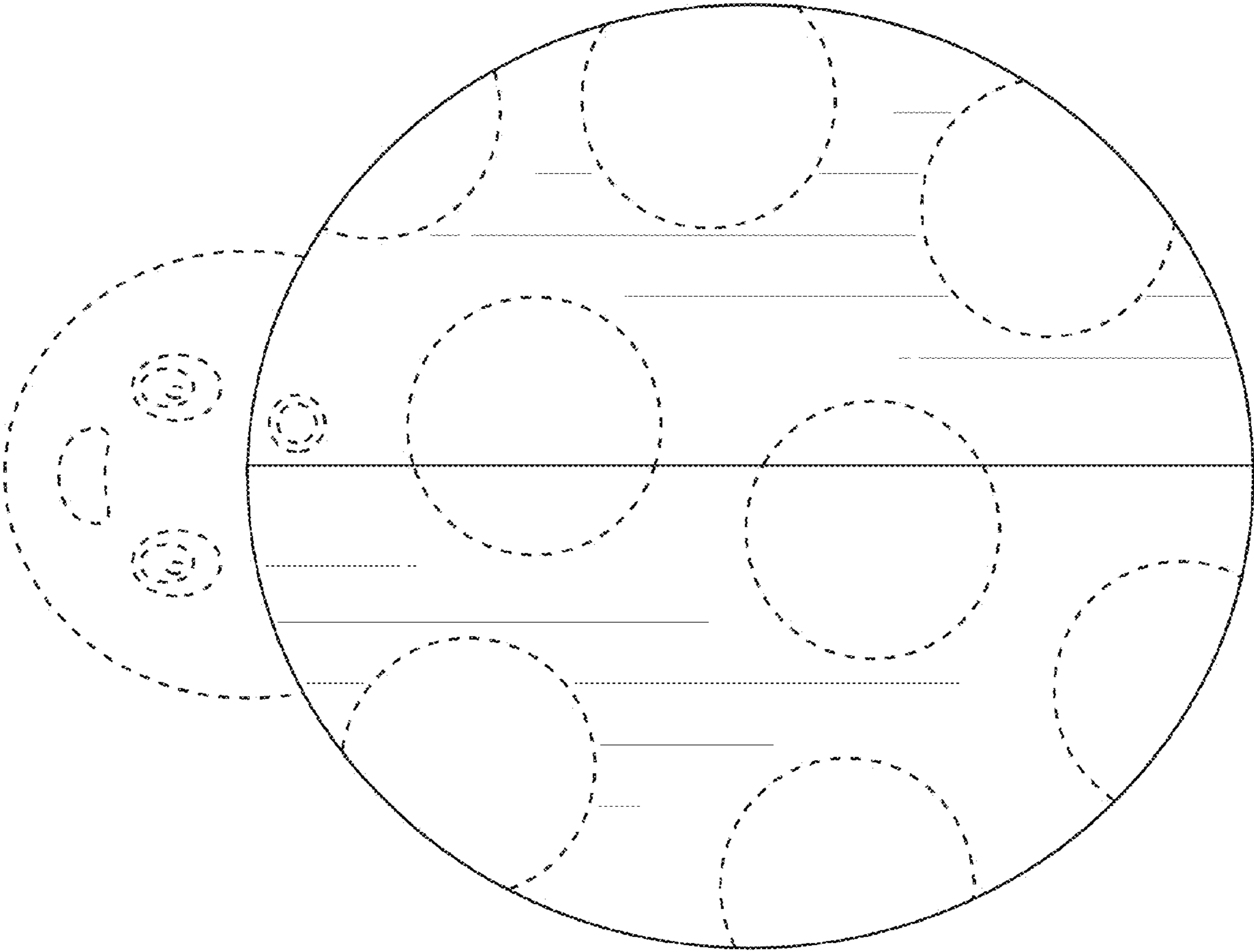


FIG. 1

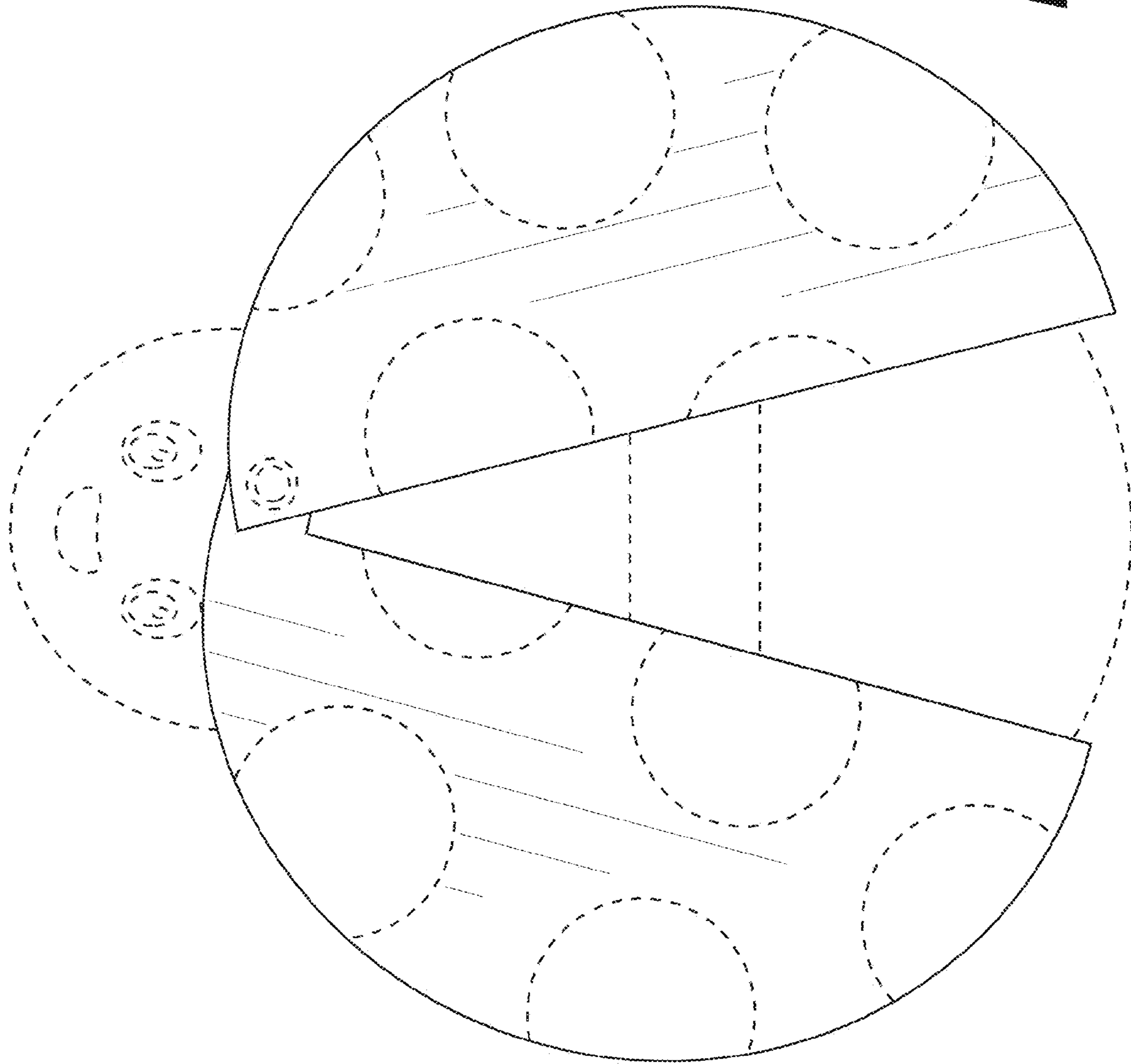


FIG. 2

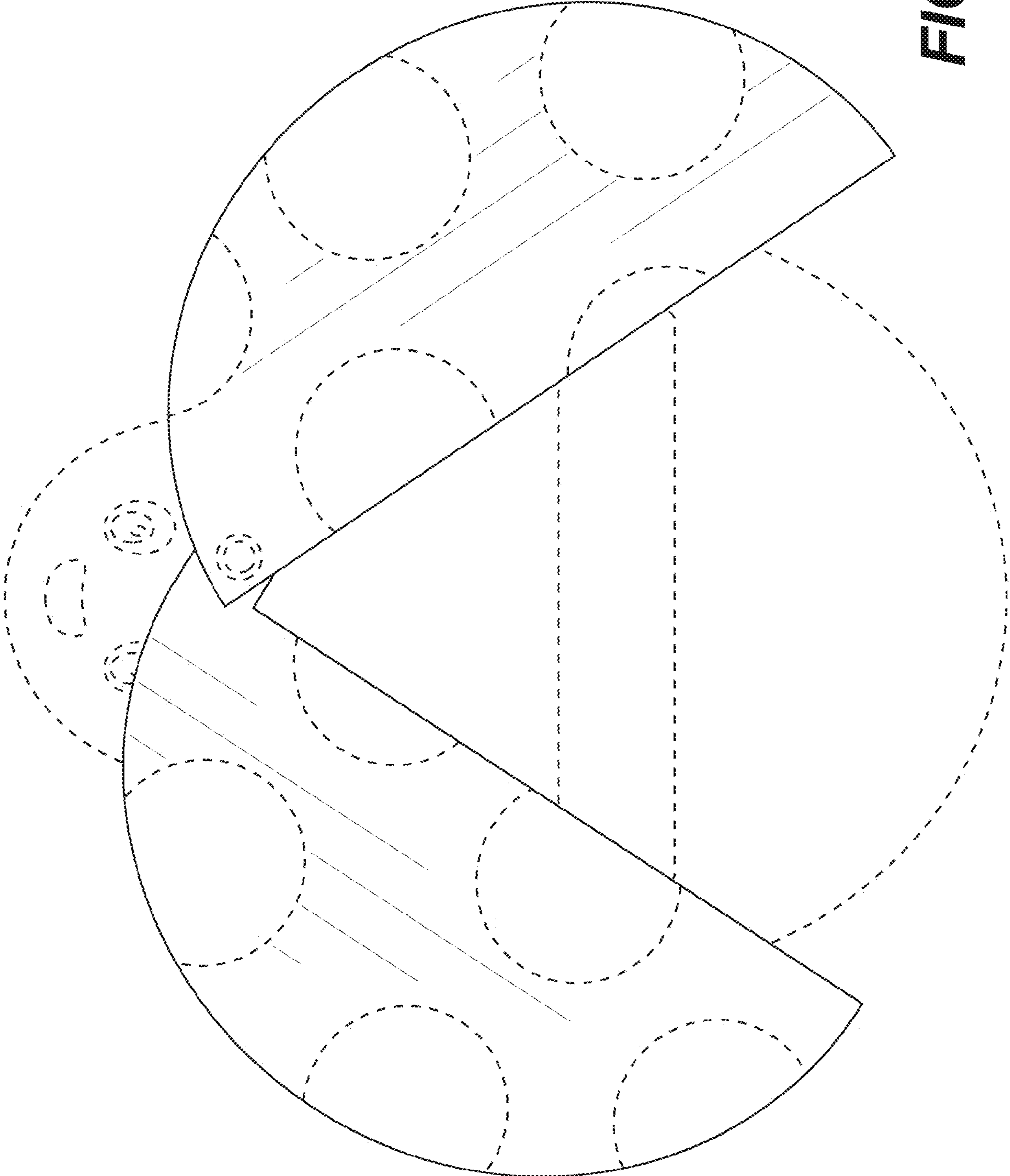


FIG. 3

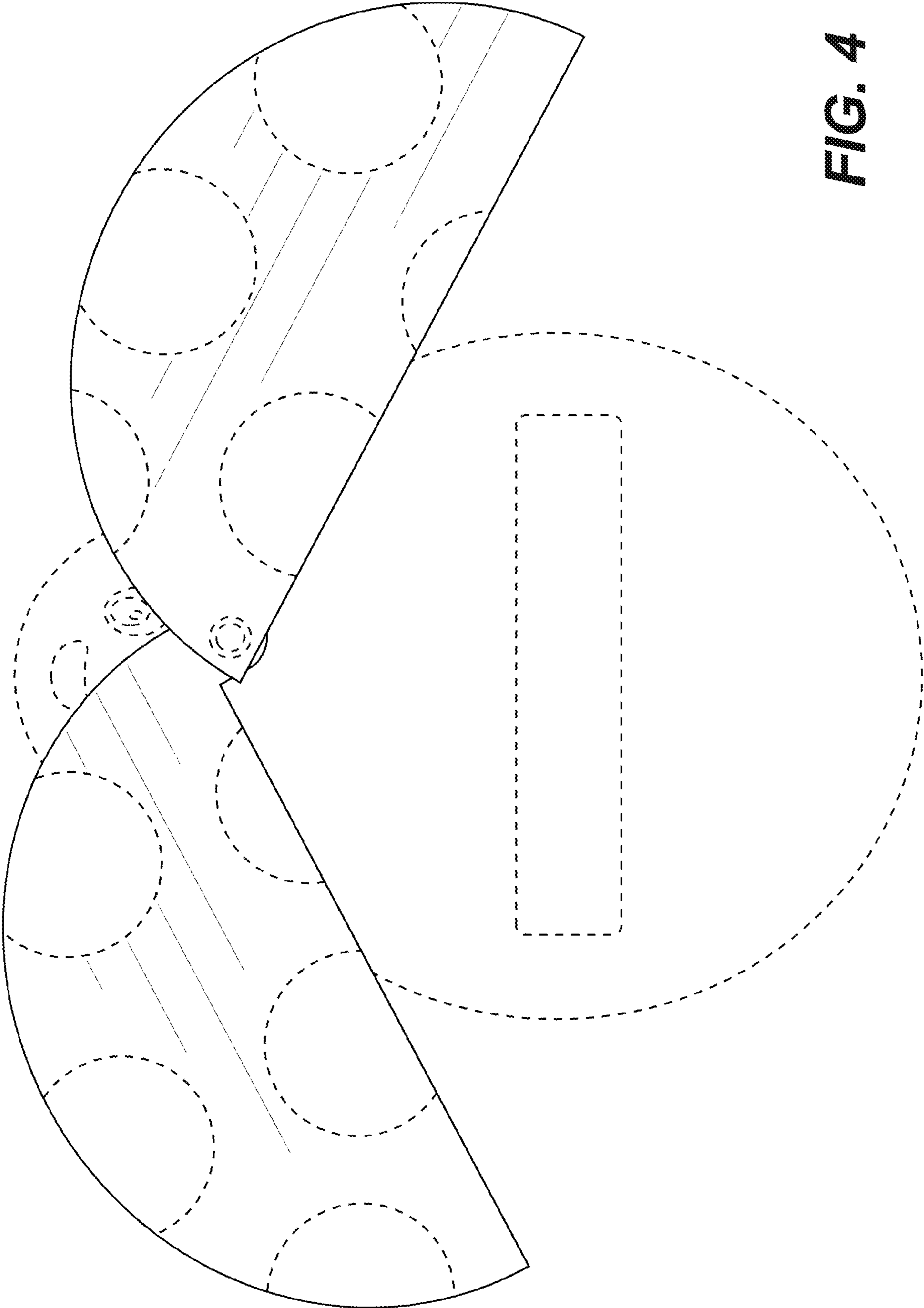


FIG. 4

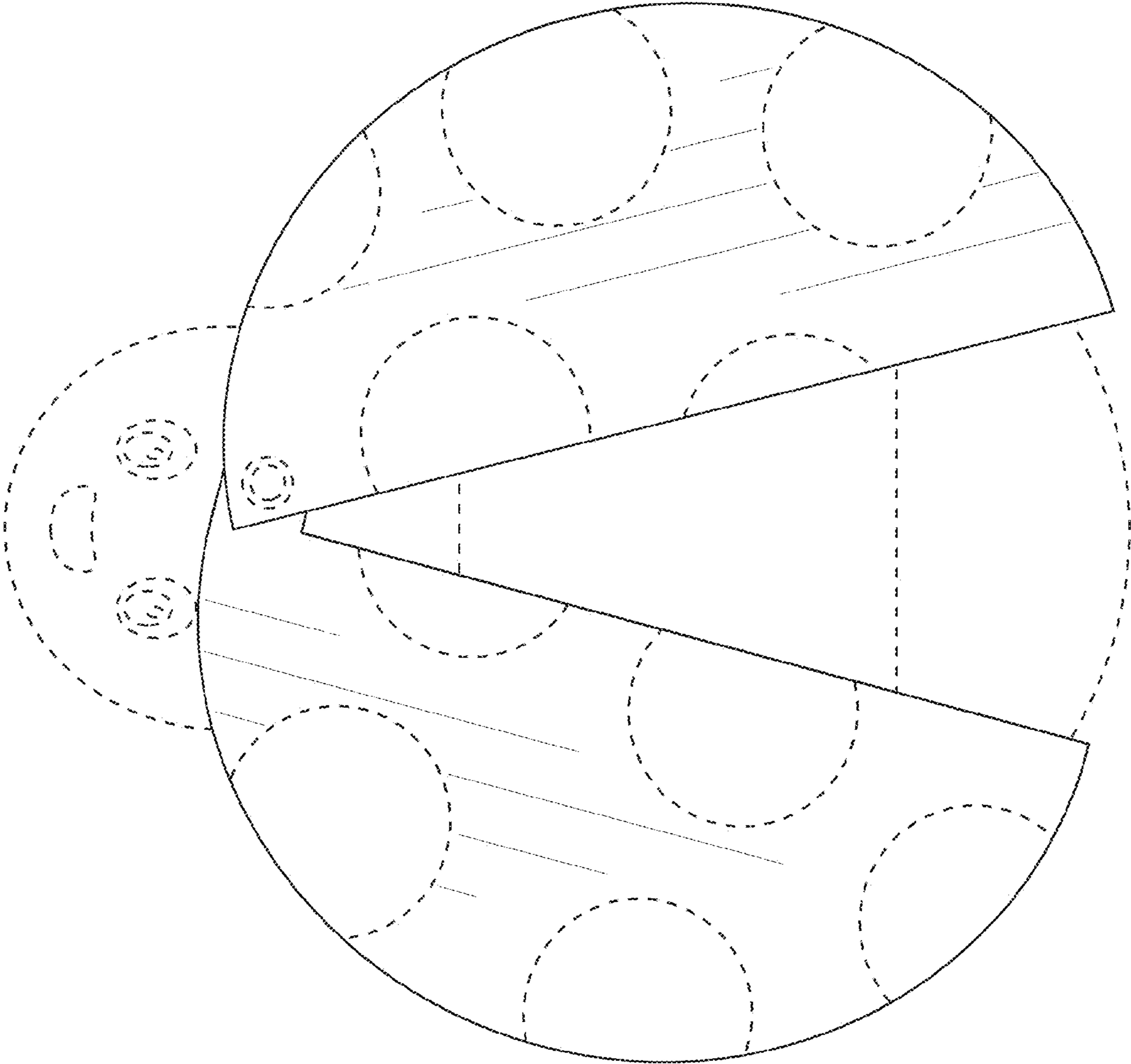


FIG. 5

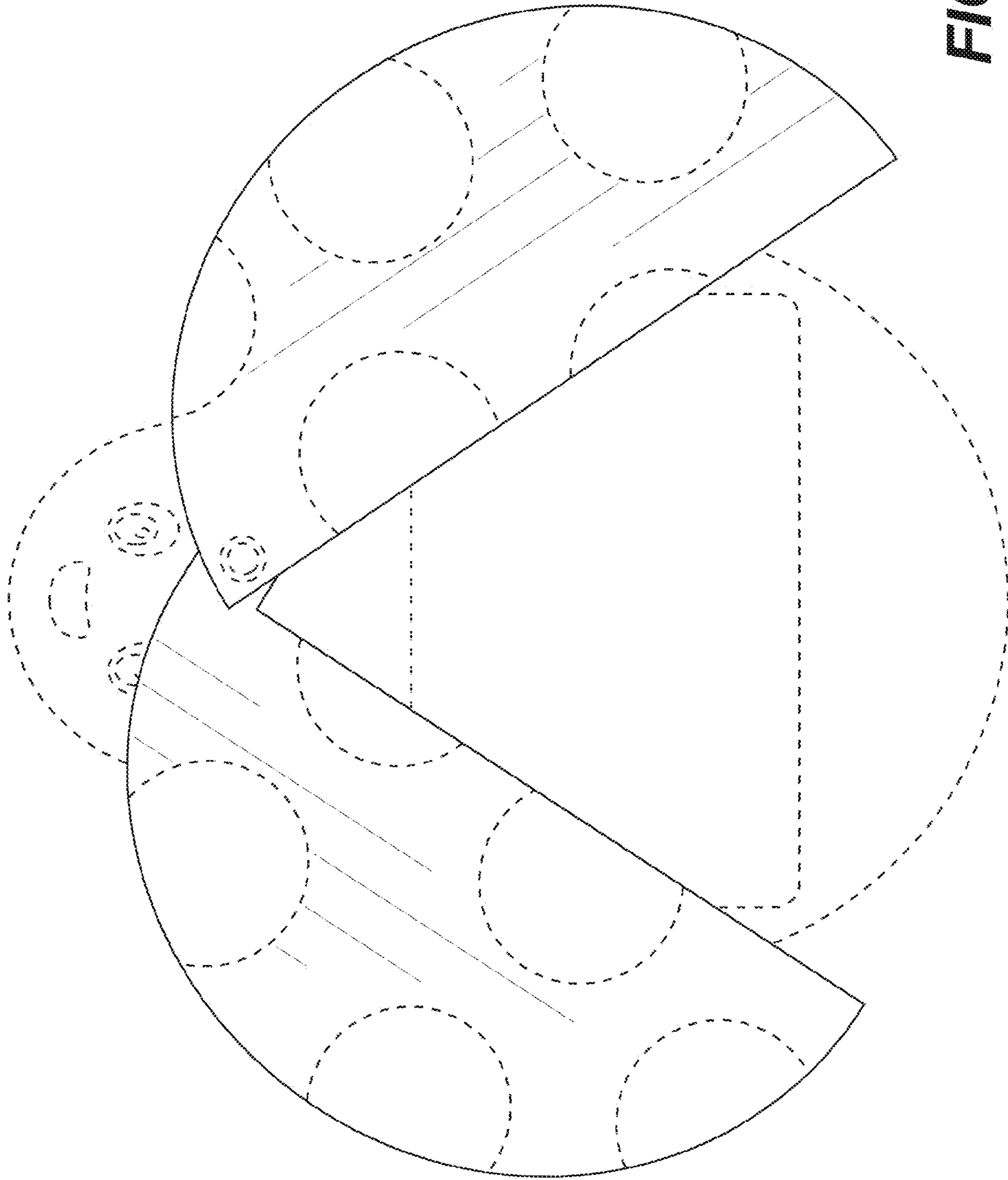


FIG. 6

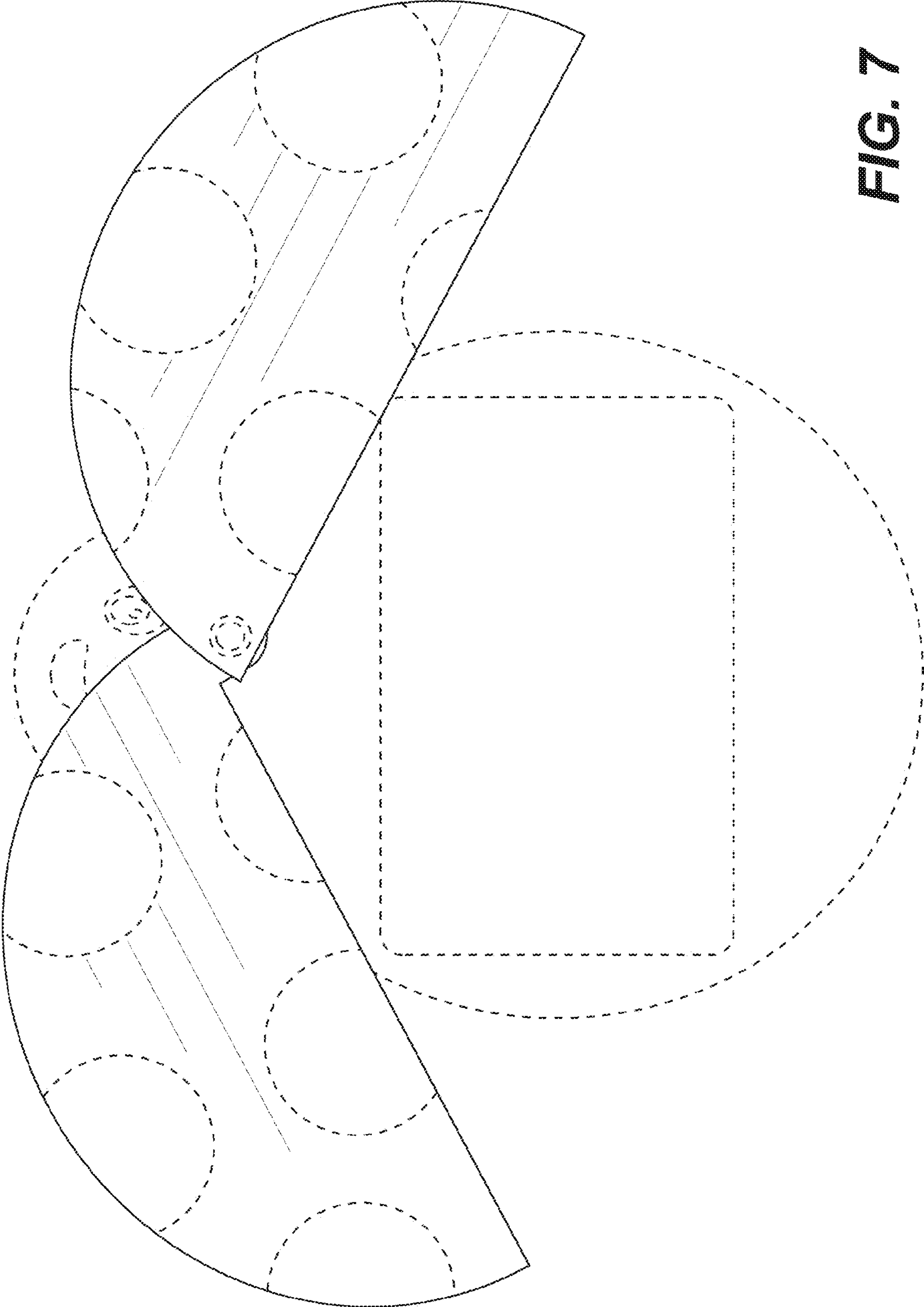


FIG. 7



FIG. 8

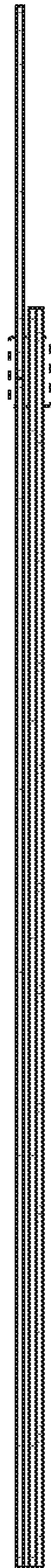


FIG. 9



FIG. 10

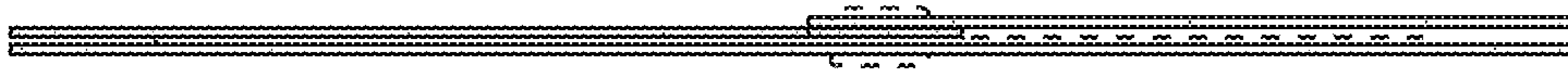


FIG. 11

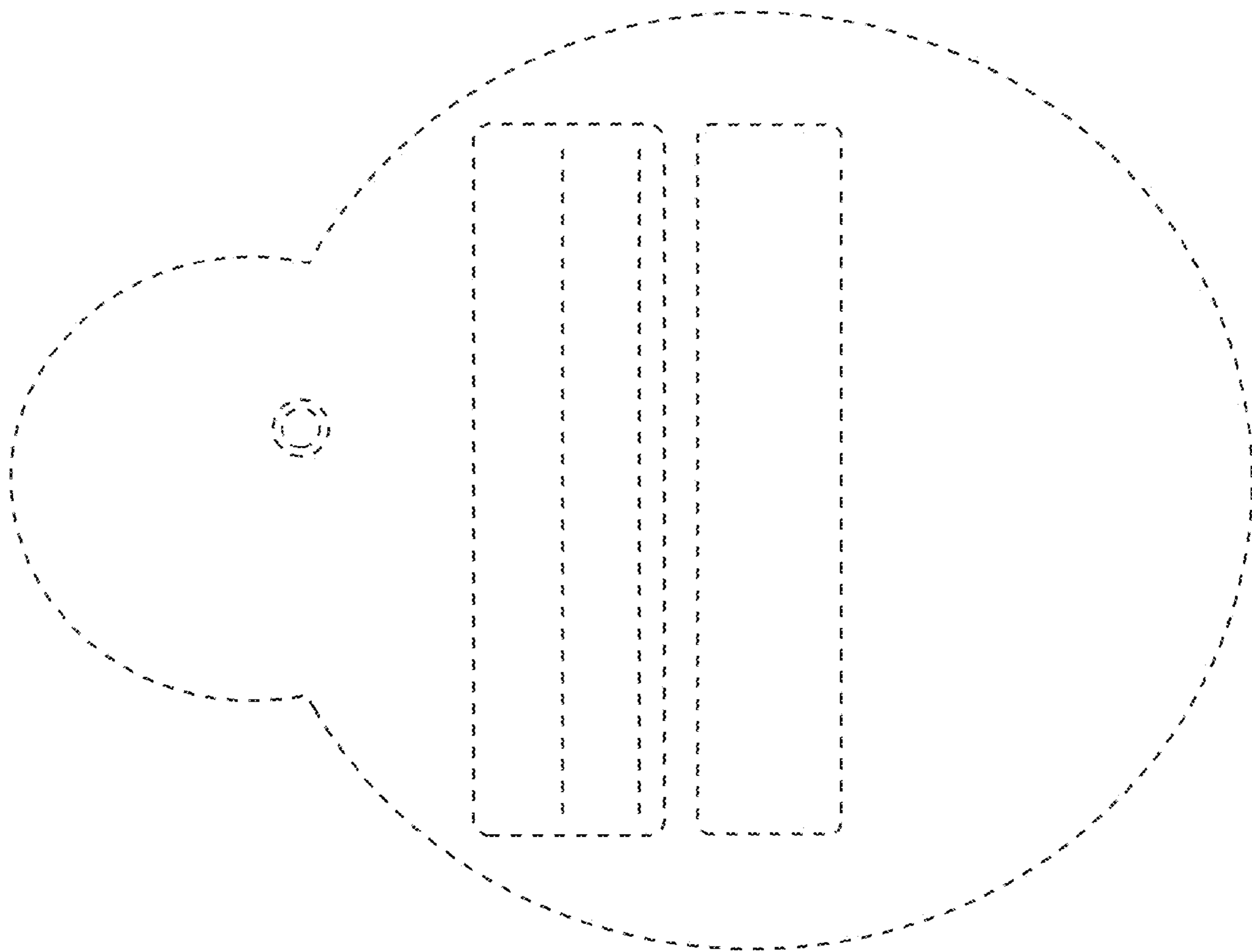


FIG. 12

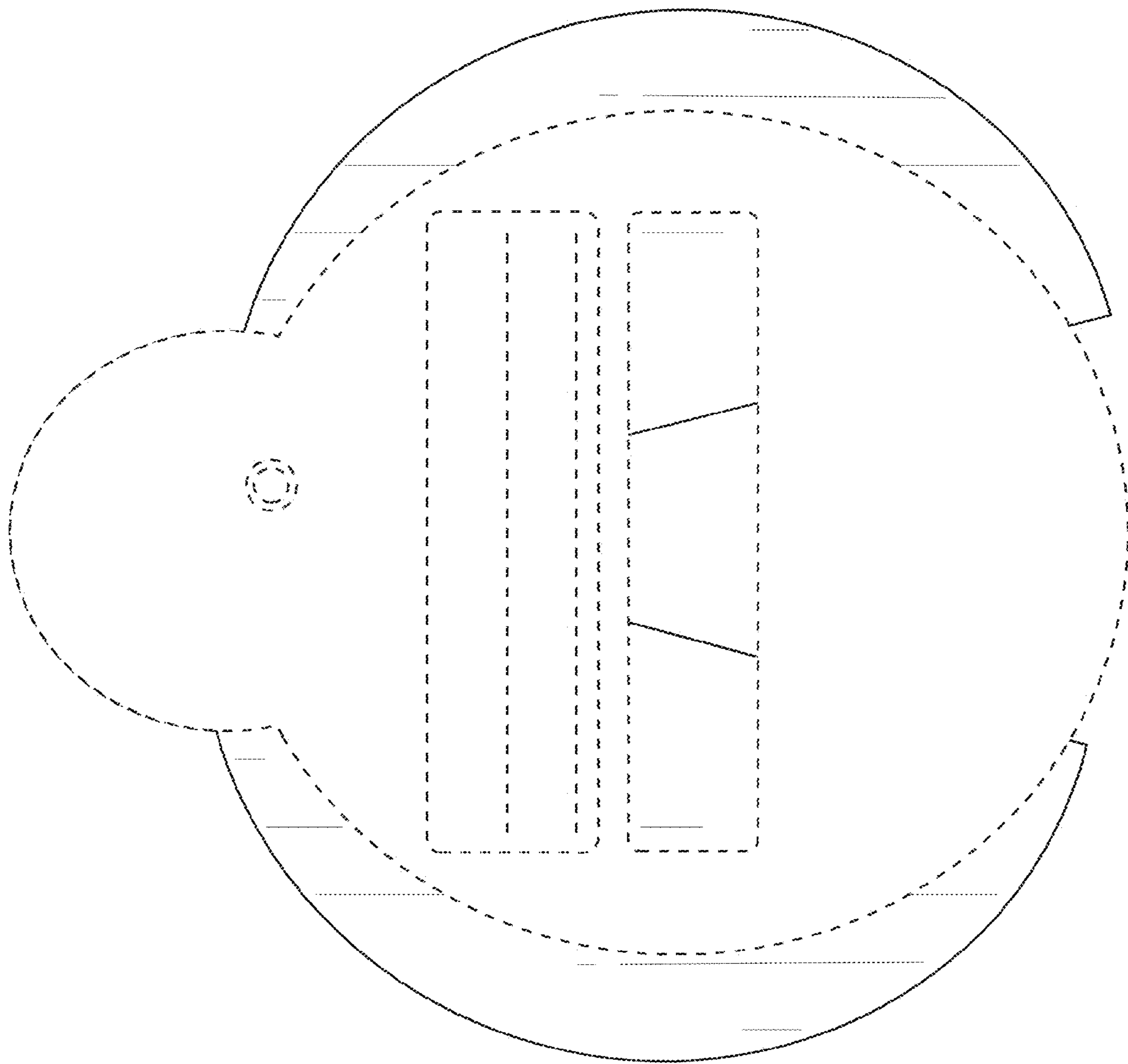


FIG. 13

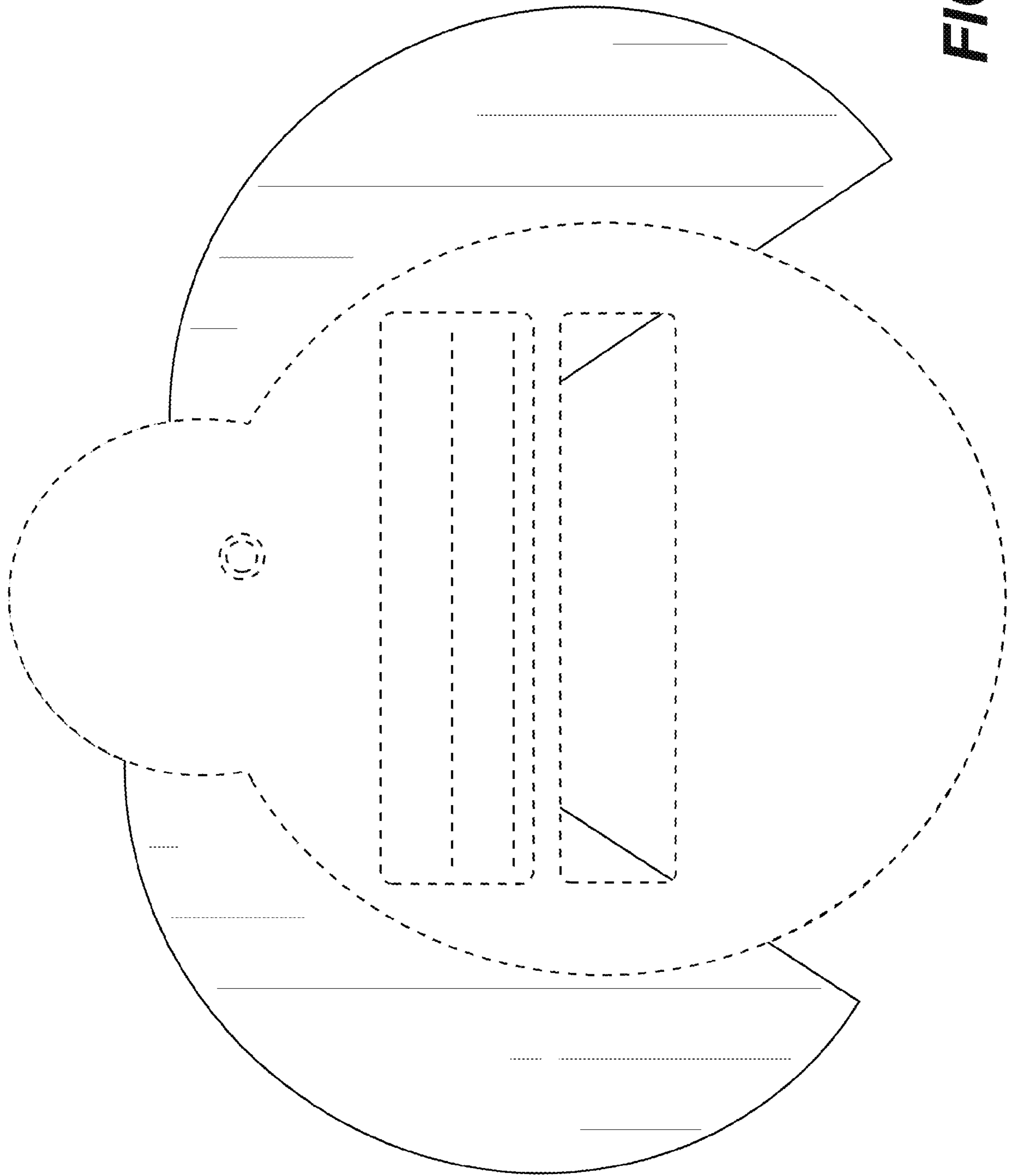


FIG. 14

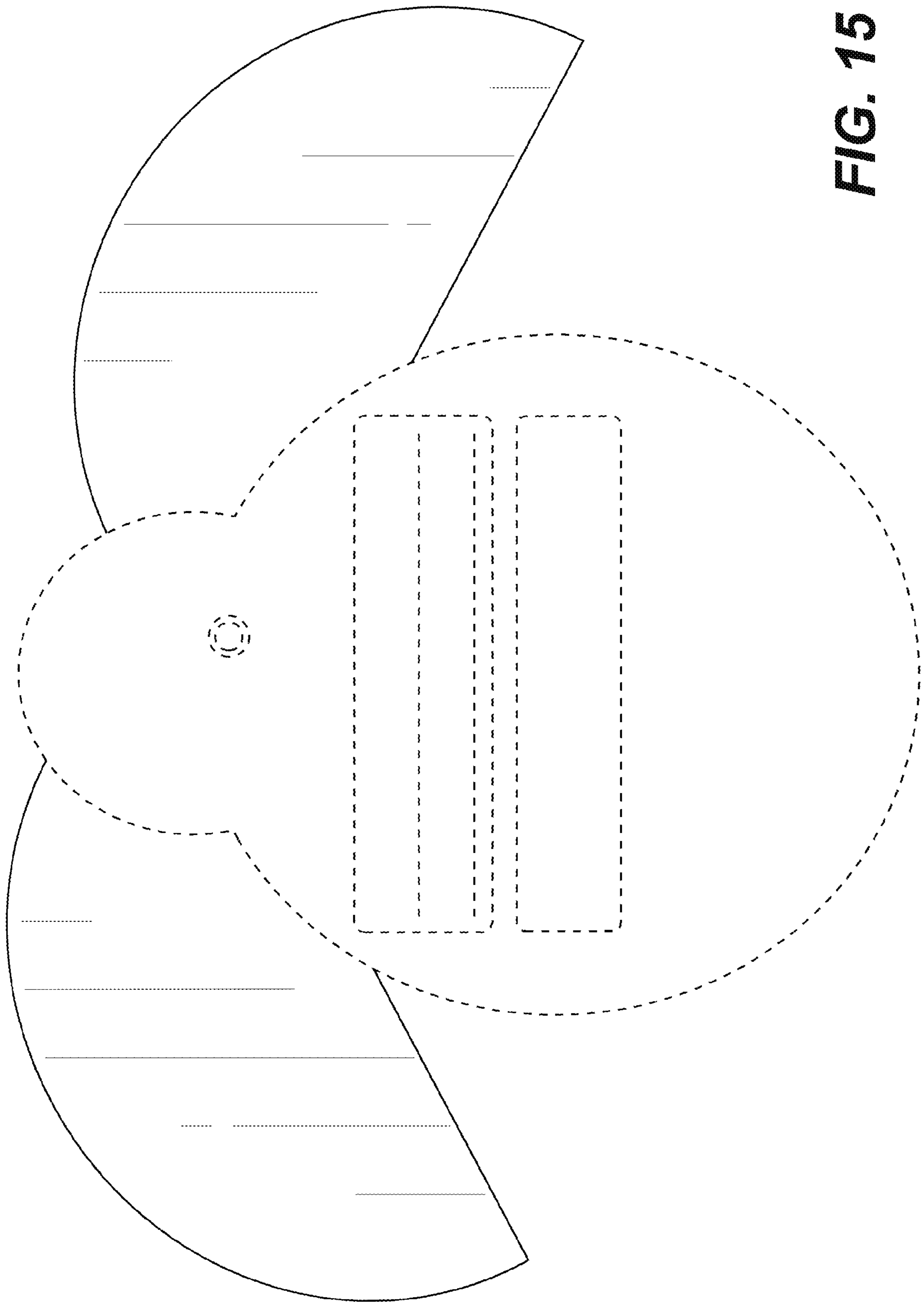


FIG. 15