



US00D895004S

(12) **United States Design Patent** (10) **Patent No.:** **US D895,004 S**
Nakamura et al. (45) **Date of Patent:** **** Sep. 1, 2020**

(54) **PRINTER**

(71) Applicant: **SEIKO EPSON CORPORATION**,
Tokyo (JP)

(72) Inventors: **Ayumu Nakamura**, Tokyo (JP); **Hiroto Miyauchi**, Matsumoto (JP); **Takayuki Iijima**, Shiojiri (JP)

(73) Assignee: **SEIKO EPSON CORPORATION**,
Tokyo (JP)

(**) Term: **15 Years**

(21) Appl. No.: **29/676,284**

(22) Filed: **Jan. 9, 2019**

(30) **Foreign Application Priority Data**

Jul. 10, 2018 (JP) 2018-015184
 Jul. 10, 2018 (JP) 2018-015185

(51) **LOC (12) Cl.** **18-02**

(52) **U.S. Cl.**
USPC **D18/53**

(58) **Field of Classification Search**
 USPC D15/122, 135-138, 141, 66, 73, 76-78;
 D18/53, 59, 50, 14, 19, 54-57, 36-45,
 D18/34.4, 34.5, 34.6, 18, 51;
 D14/301-303, 307, 345, 216; D6/691.4,
 D6/675, 708; D13/107, 108; D9/435,
 D9/448, 447, 454, 688, 772
 CPC B41J 2/14; B41J 1/54; B41J 3/4073; B41J
 3/4078; B41F 17/22; B41F 17/003; B41F
 17/38; B28B 1/001; G03G 15/08; G03G
 15/0891; G03G 15/0875; G03G
 2215/0827; G03G 2215/0855; G03G
 21/1842

See application file for complete search history.

(56) **References Cited**

U.S. PATENT DOCUMENTS

D143,652 S *	1/1946	Floeter	D18/36
D212,050 S *	8/1968	Nederlof et al.	D18/39
D234,409 S *	2/1975	Schmeck	D18/53
D302,551 S *	8/1989	Leong	D10/63
D305,208 S *	12/1989	Ross	D10/46
4,996,651 A *	2/1991	Wells	B23C 3/00 346/29
D335,894 S *	5/1993	Nishikaze	D18/55
D340,944 S *	11/1993	Ishizawa	D18/50

(Continued)

Primary Examiner — T Chase Nelson
Assistant Examiner — Mary Claire Ramirez

(57) **CLAIM**

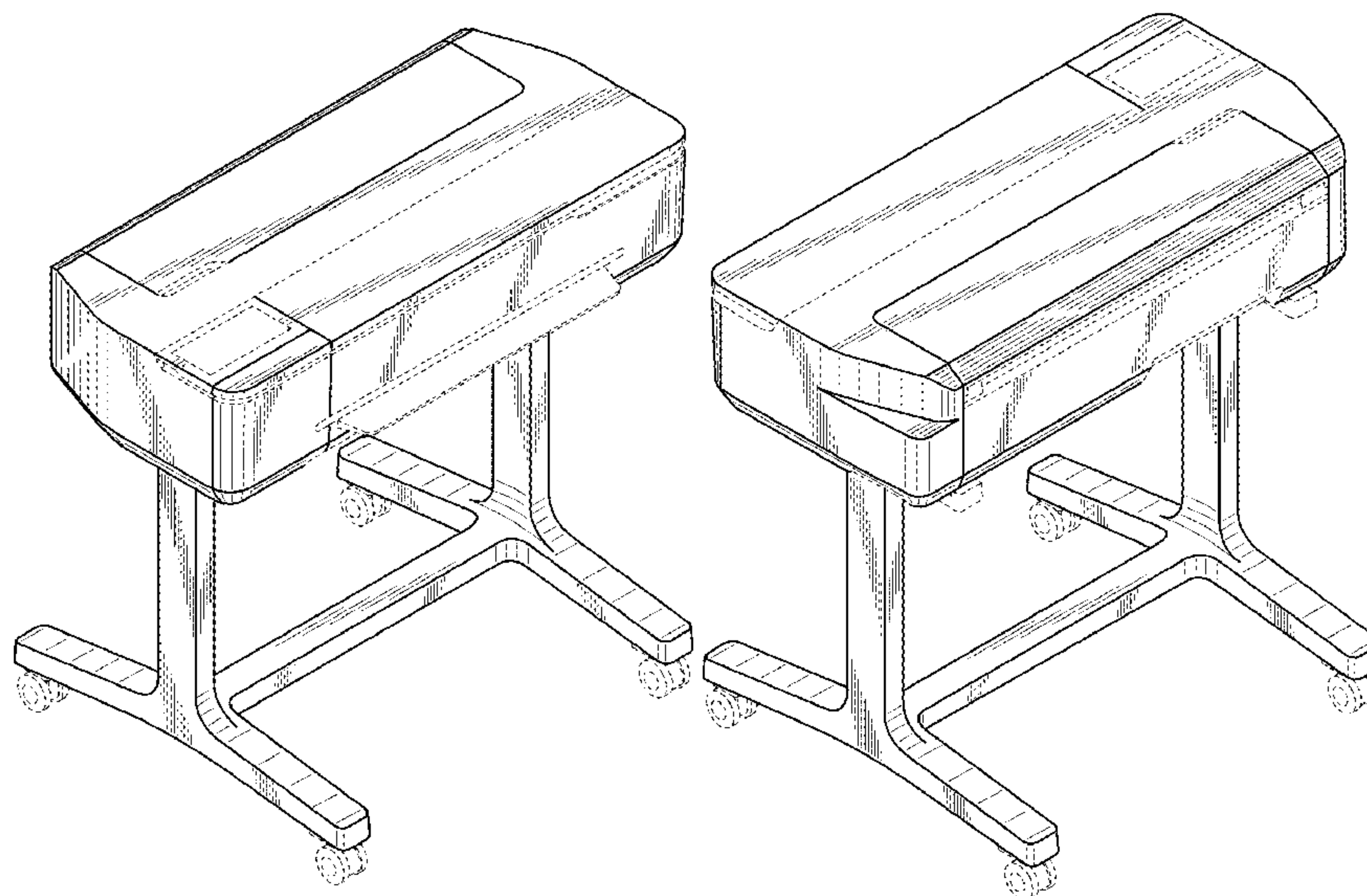
The ornamental design for a printer, as shown and described.

DESCRIPTION

FIG. 1 is a front, top, and left side perspective view of a first embodiment of a printer showing our new design;
 FIG. 2 is a rear, top, and right side perspective view thereof;
 FIG. 3 is a front view thereof;
 FIG. 4 is a rear view thereof;
 FIG. 5 is a top plan view thereof;
 FIG. 6 is a bottom plan view thereof;
 FIG. 7 is a right side view thereof;
 FIG. 8 is a left side view thereof;
 FIG. 9 is a front, top, and left side perspective view of a second embodiment of the printer;
 FIG. 10 is a rear, top, and right side perspective view thereof;
 FIG. 11 is a front view thereof;
 FIG. 12 is a rear view thereof;
 FIG. 13 is a top plan view thereof;
 FIG. 14 is a bottom plan view thereof;
 FIG. 15 is a right side view thereof; and,
 FIG. 16 is a left side view thereof.

The broken lines illustrate portions of the printer and form no part of the claimed design.

1 Claim, 16 Drawing Sheets



(56)

References Cited

U.S. PATENT DOCUMENTS

D342,907 S *	1/1994	Kamatsuda	D10/46	D597,131 S *	7/2009	Yamano	D18/53
D343,305 S *	1/1994	Ng	D6/655.14	D619,165 S *	7/2010	Sakurai	D18/53
D347,239 S *	5/1994	Okamoto	347/108	7,967,515 B2 *	6/2011	Puigardeu	B41J 11/001
D400,917 S *	11/1998	Kajikawa	D18/53					226/2
D407,740 S *	4/1999	Ina	D18/53	D643,463 S *	8/2011	Sakurai	D18/53
D408,848 S *	4/1999	Flores	D18/53	8,651,657 B2 *	2/2014	Oraa	B41J 29/13
6,206,512 B1 *	3/2001	Gasso	B41J 2/17509					347/108
				347/85	D747,766 S *	1/2016	Cesar	D18/53
D445,824 S *	7/2001	Yamano	D18/53	D751,637 S *	3/2016	Cesar	D18/53
6,361,230 B1 *	3/2002	Crystal	B41J 3/4078	D812,136 S *	3/2018	Cesar	D18/53
				347/104	D823,383 S *	7/2018	Miyauchi	D18/53
D458,963 S *	6/2002	Caamano	D18/53	D823,384 S *	7/2018	Miyauchi	D18/53
D464,080 S *	10/2002	Yamano	D18/53	2004/0056919 A1 *	3/2004	Gaston	B41J 2/16508
6,752,553 B2 *	6/2004	Fujioka	B41J 11/0005					347/22
				271/188	2004/0130708 A1 *	7/2004	Ruiz	B41J 2/2132
7,059,788 B2 *	6/2006	Pearl	B41J 11/009					356/150
				400/242	2006/0192830 A1 *	8/2006	Lee	B41J 3/4078
D529,545 S *	10/2006	Kimura	D18/53					347/104
D544,533 S *	6/2007	Moliner	D18/53	2007/0076038 A1 *	4/2007	Plante	B41J 29/393
7,334,883 B2 *	2/2008	Campillo	B41J 2/175					347/19
				347/84	2014/0111587 A1 *	4/2014	Nakano	B41J 11/0005
D595,345 S *	6/2009	Yagi	D18/53					347/104
D595,346 S *	6/2009	Yamano	D18/53	2016/0368292 A1 *	12/2016	Kurosawa	B41J 2/155
					2017/0087848 A1 *	3/2017	Takenouchi	B41J 2/16511
					2017/0259582 A1 *	9/2017	Gracia Verdugo	...	B41J 2/04543
					2019/0030932 A1 *	1/2019	Takenouchi	B41J 29/02

* cited by examiner

FIG. 1

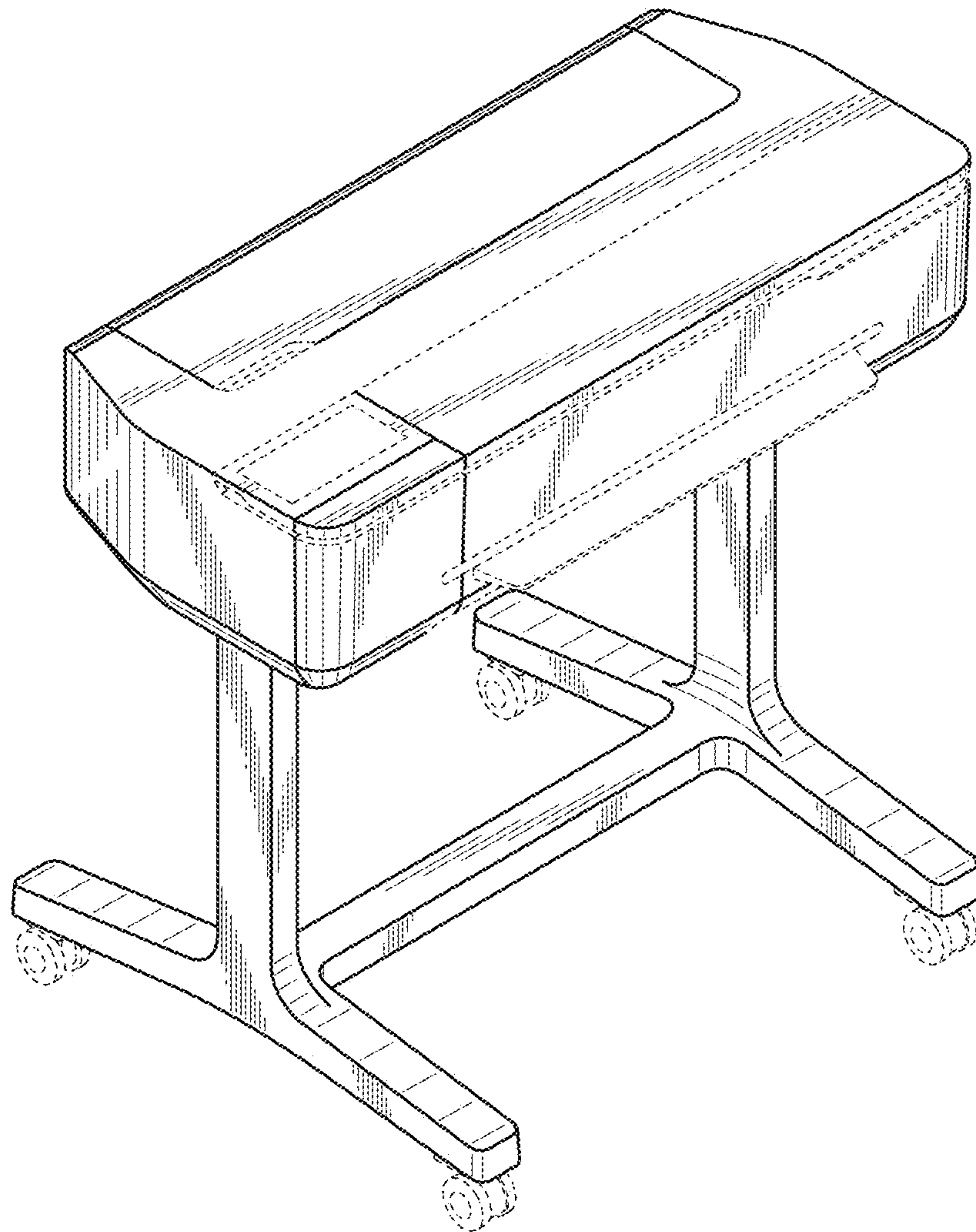


FIG. 2

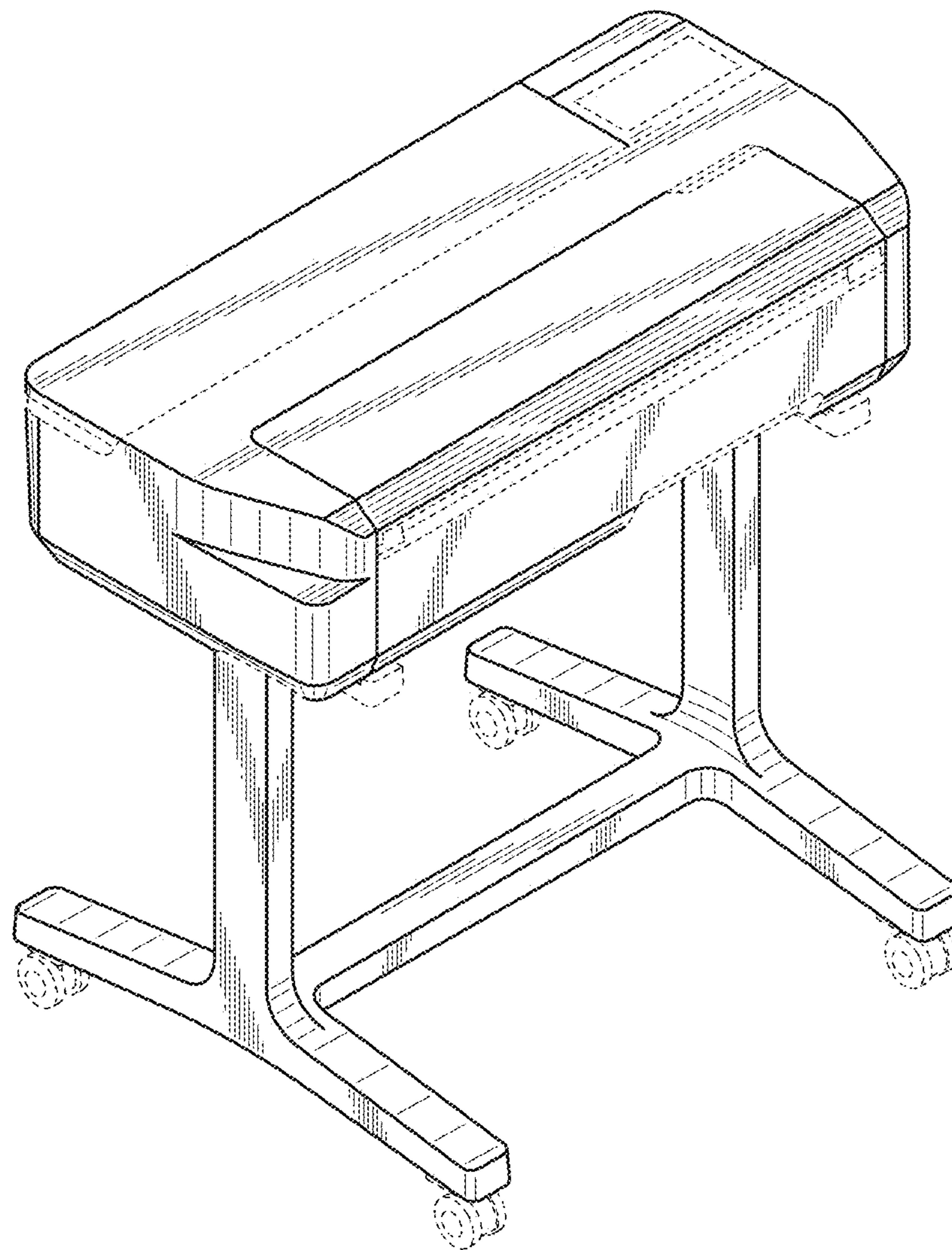


FIG. 3

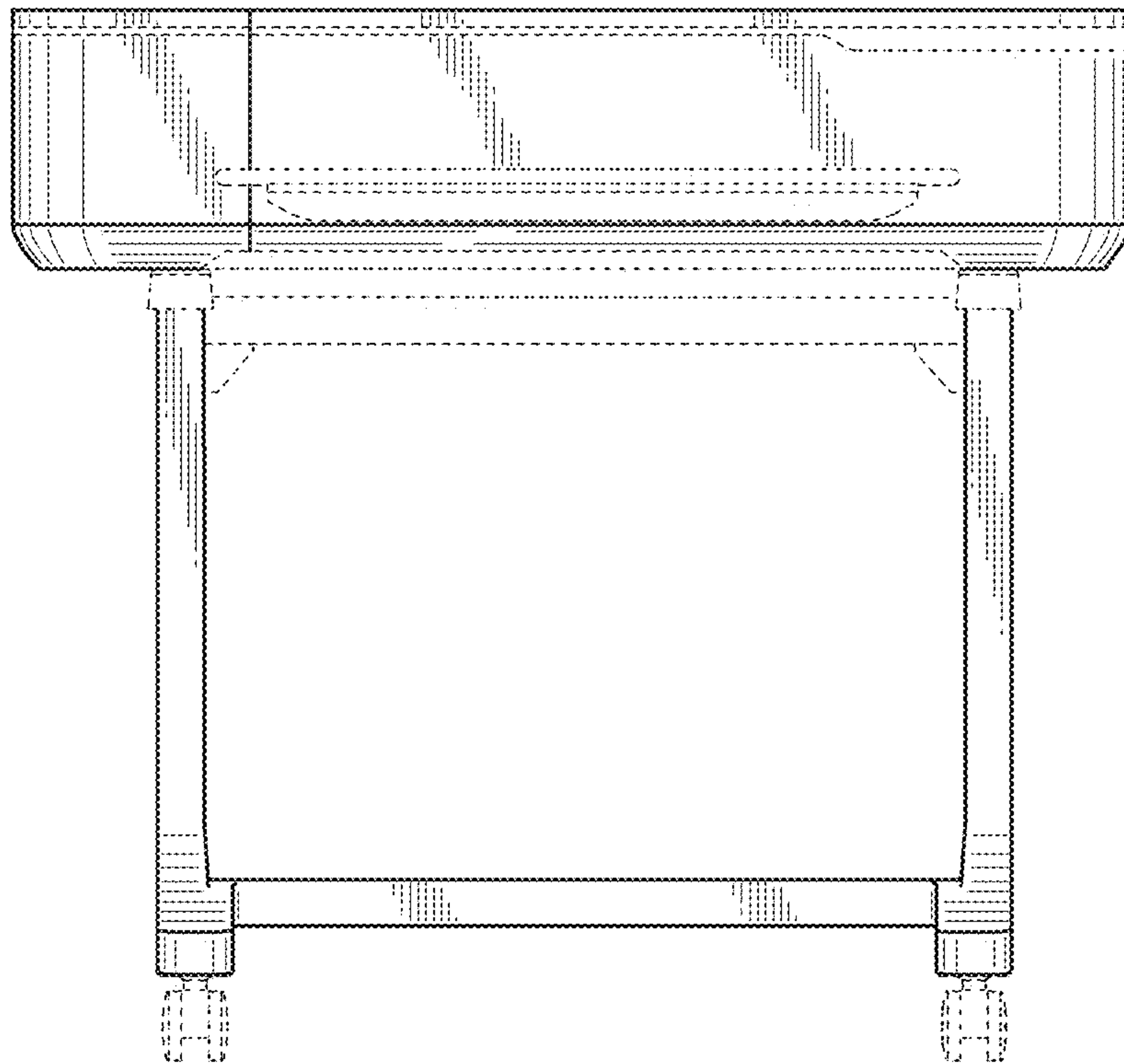


FIG. 4

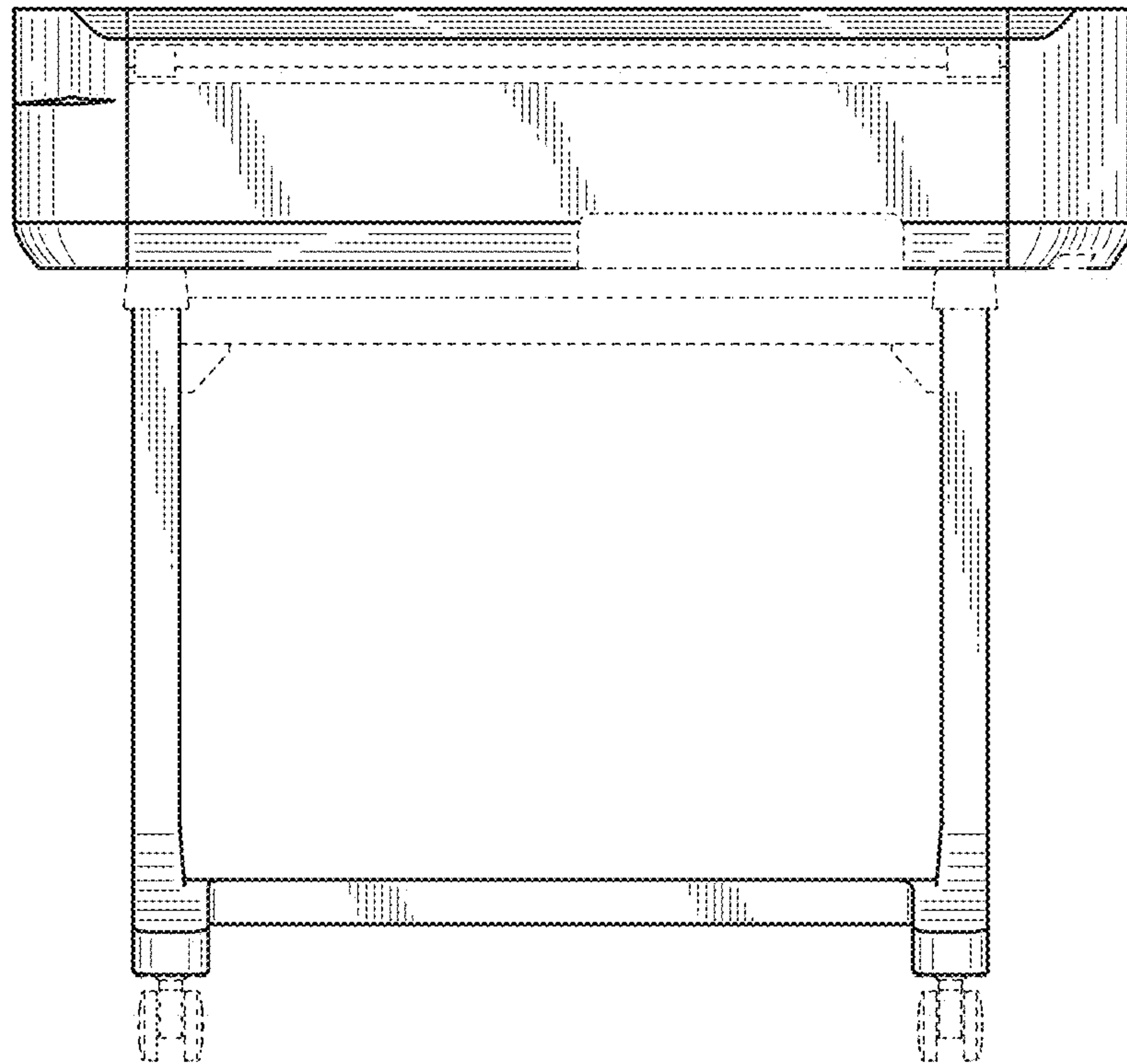


FIG. 5

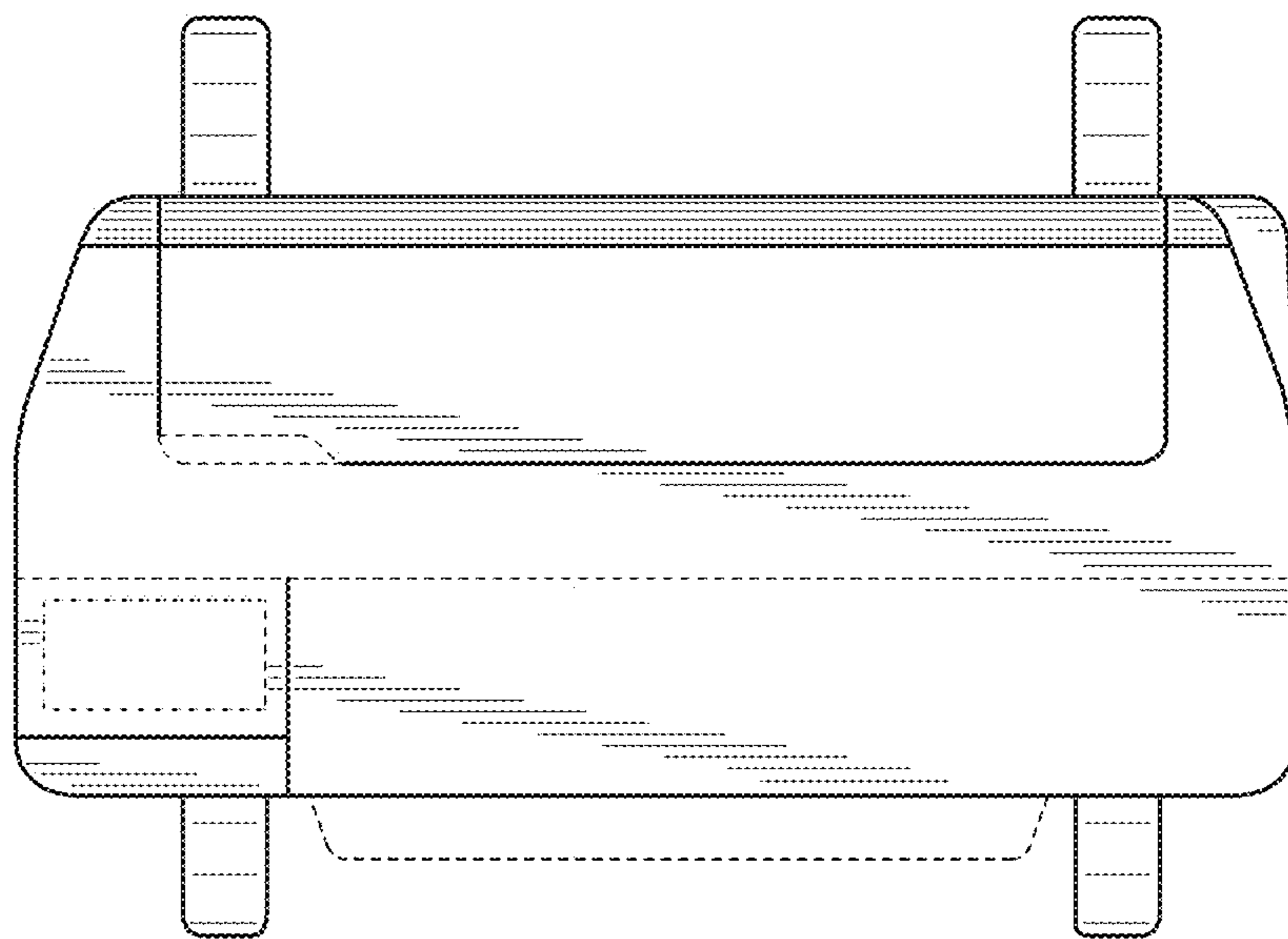


FIG. 6

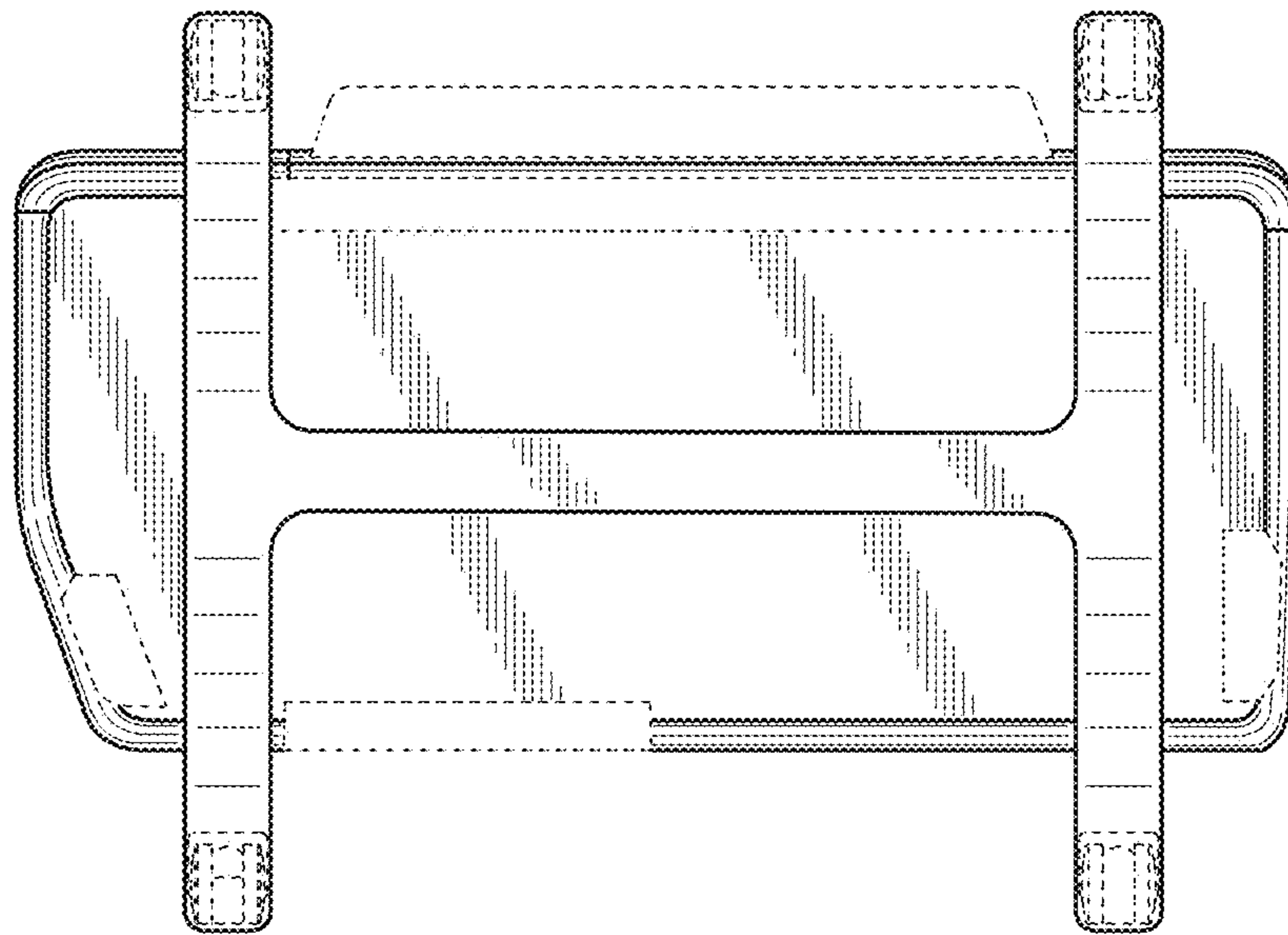


FIG. 7

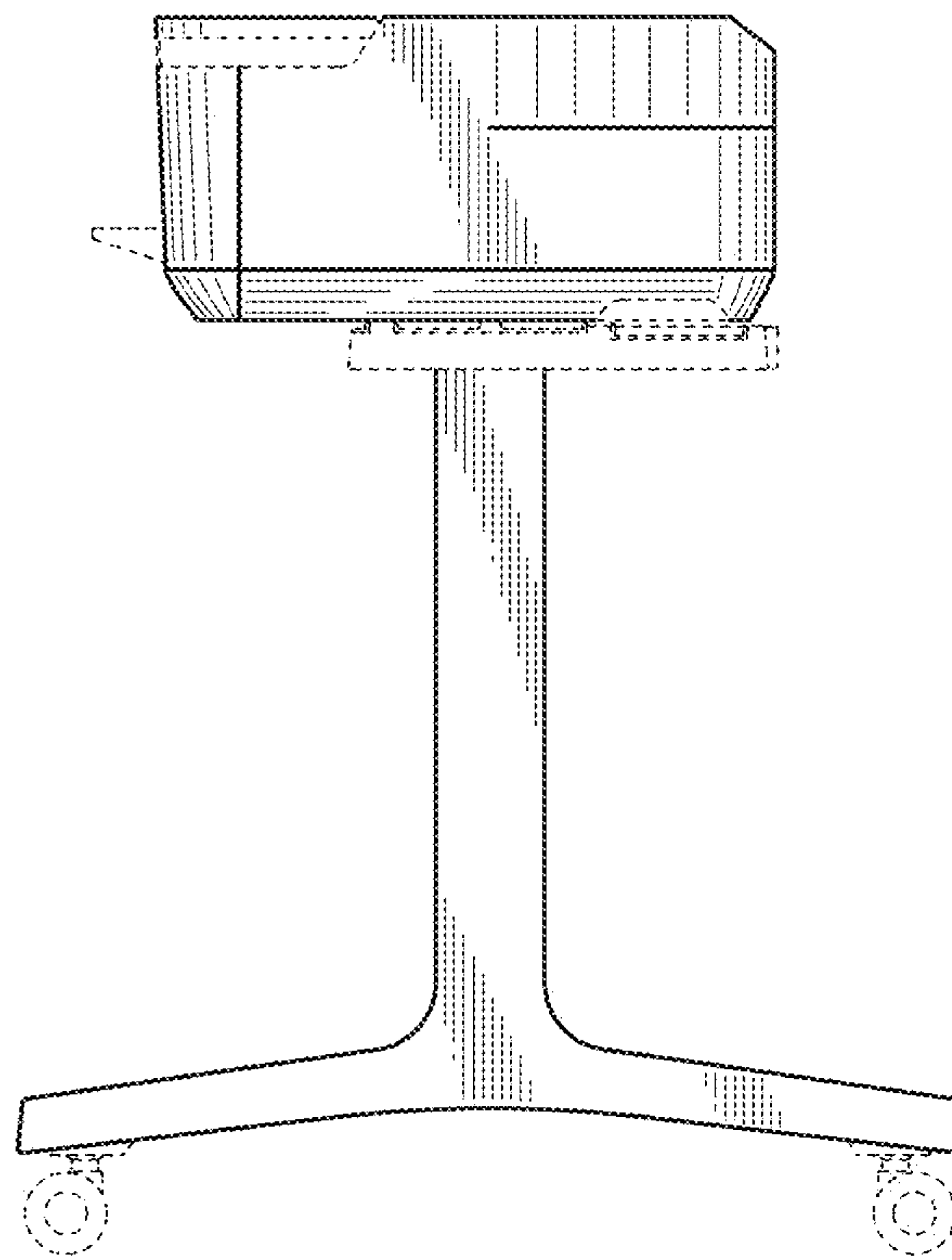


FIG. 8

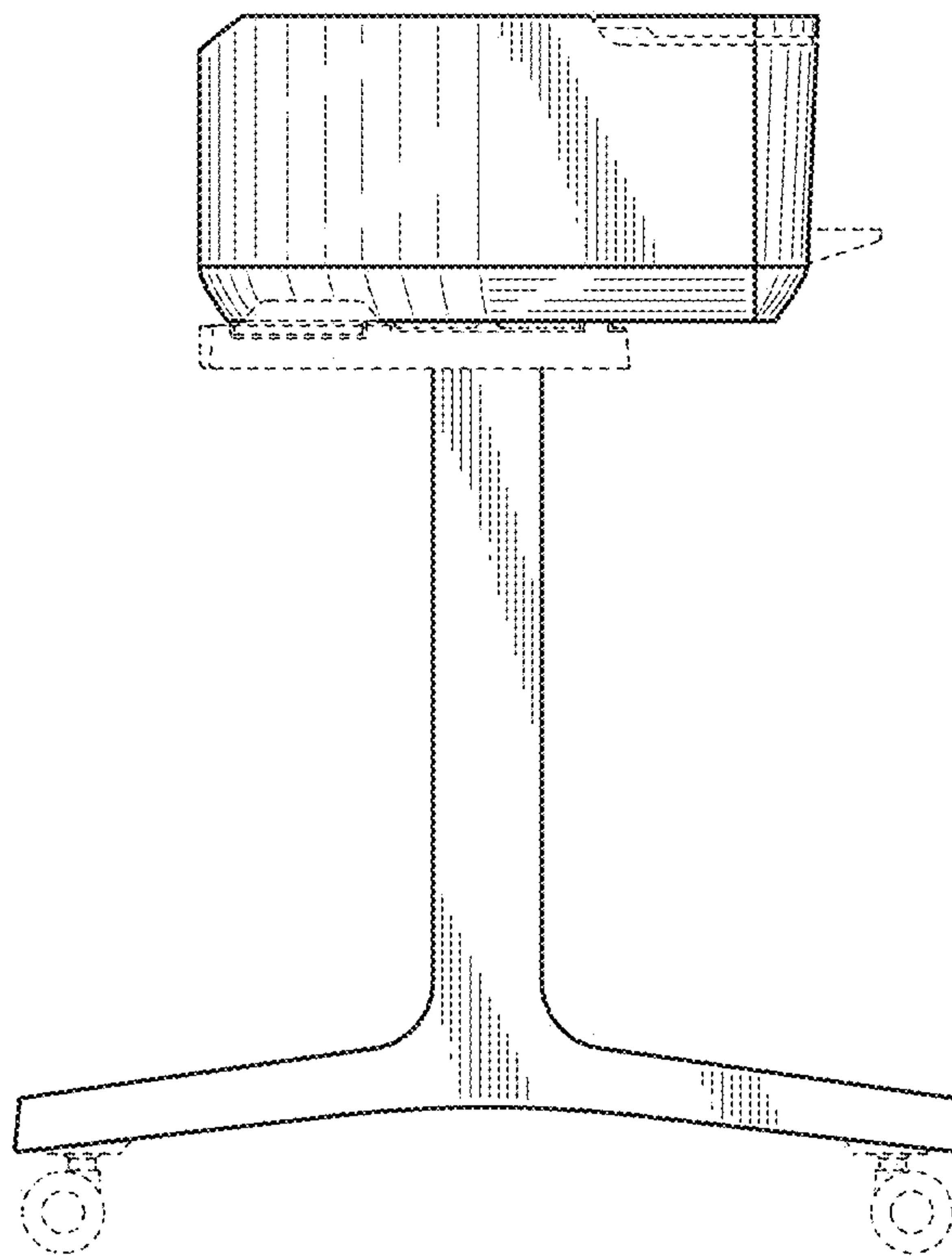


FIG. 9

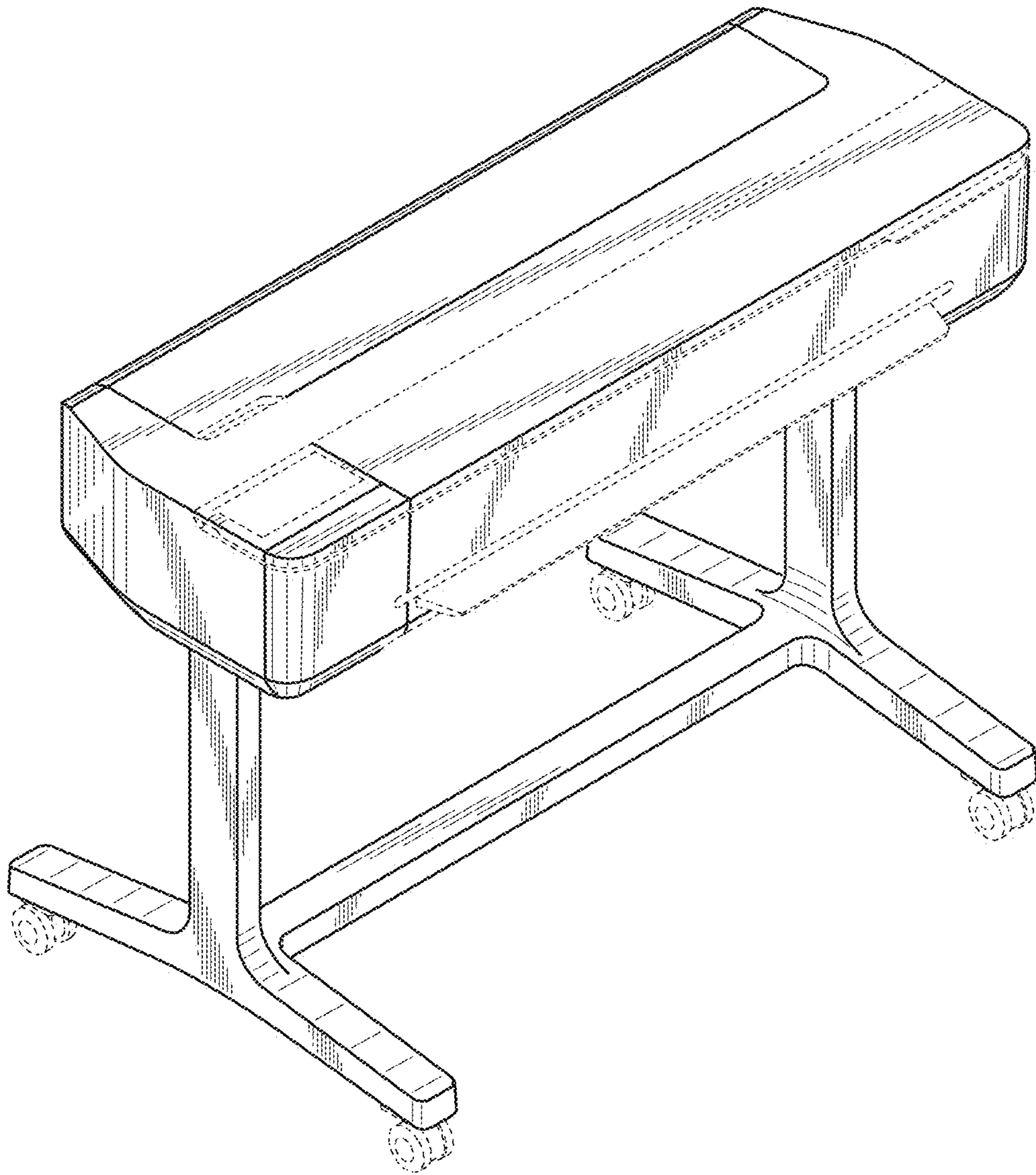


FIG. 10

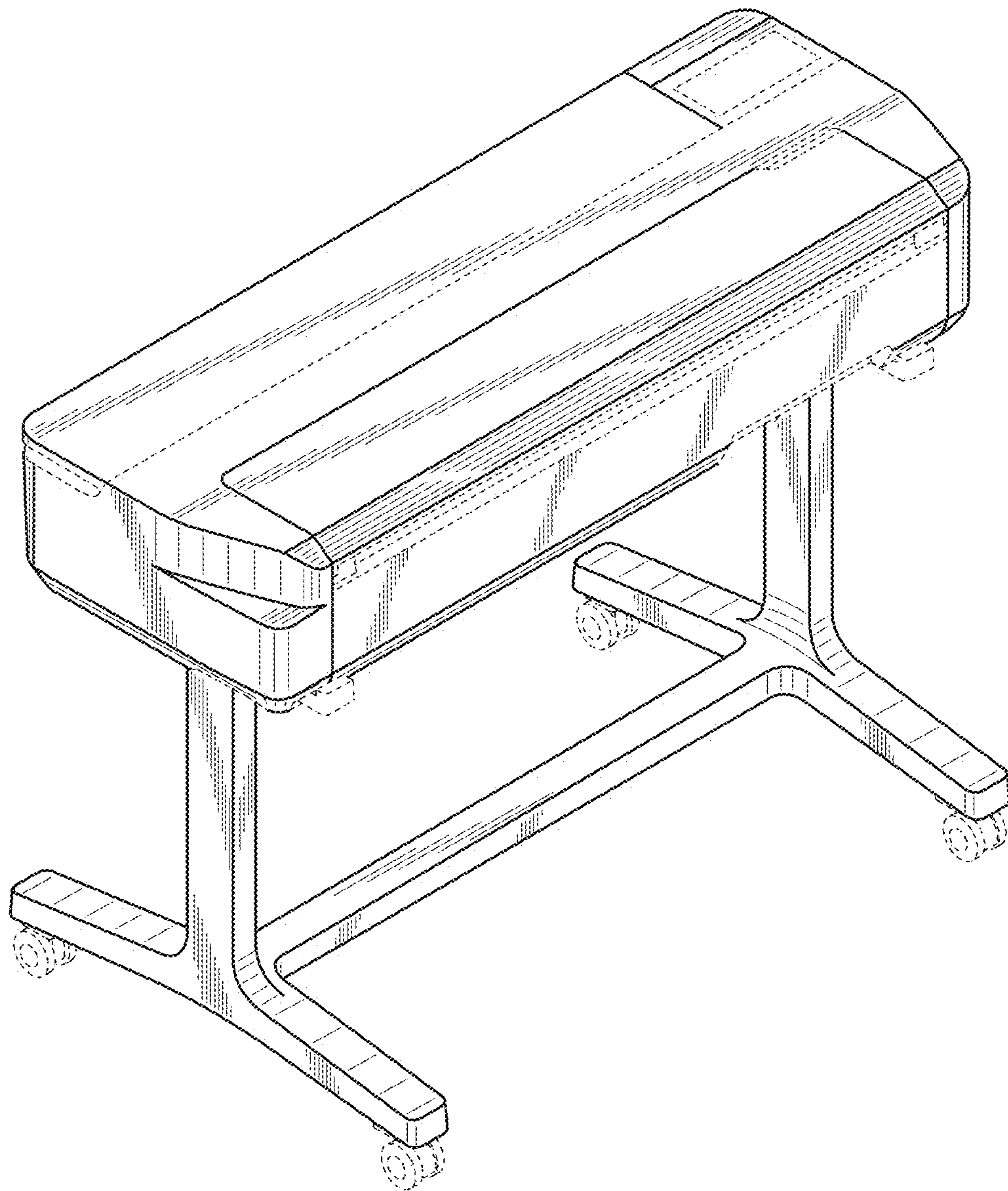


FIG. 11

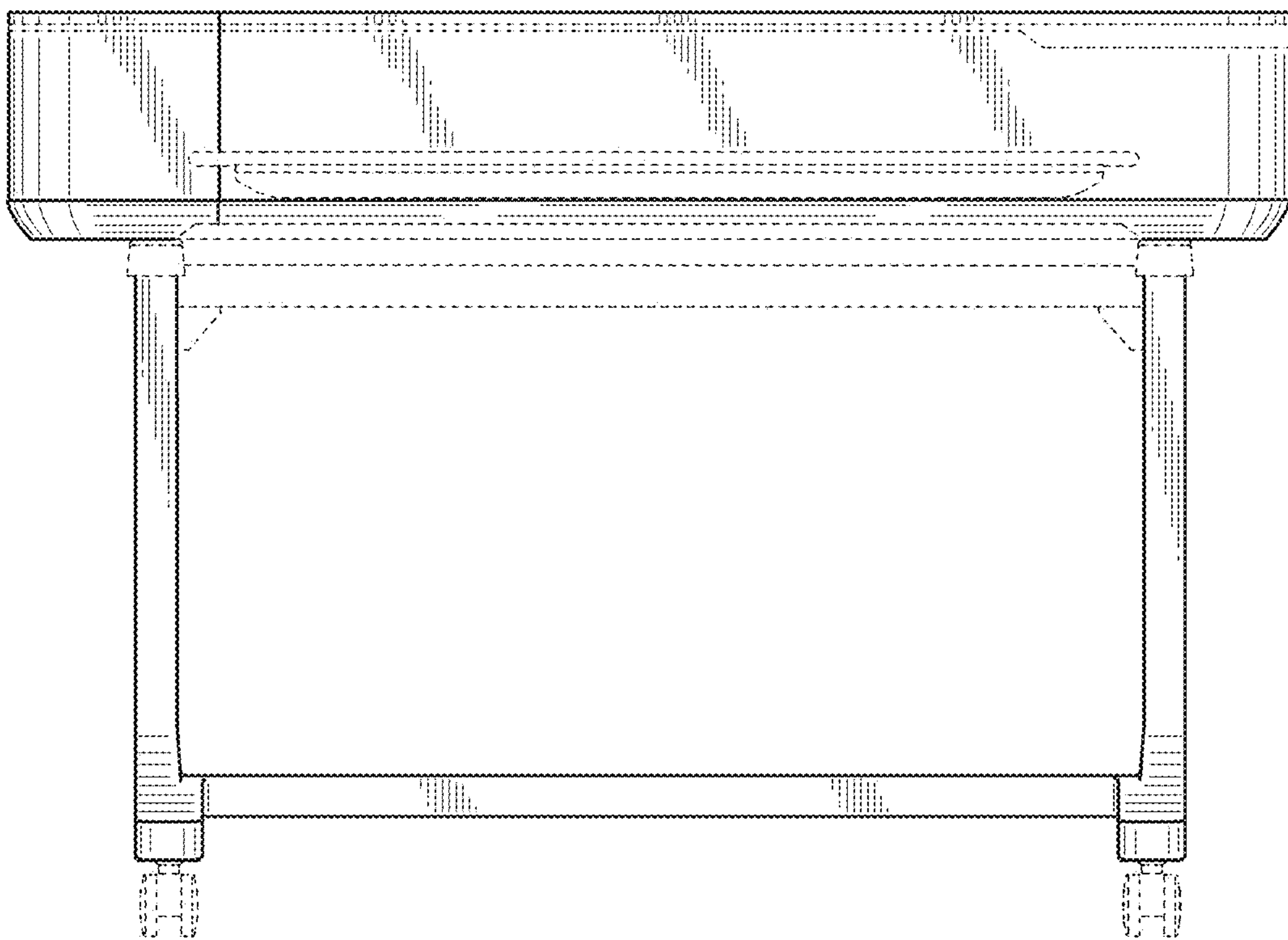


FIG. 12

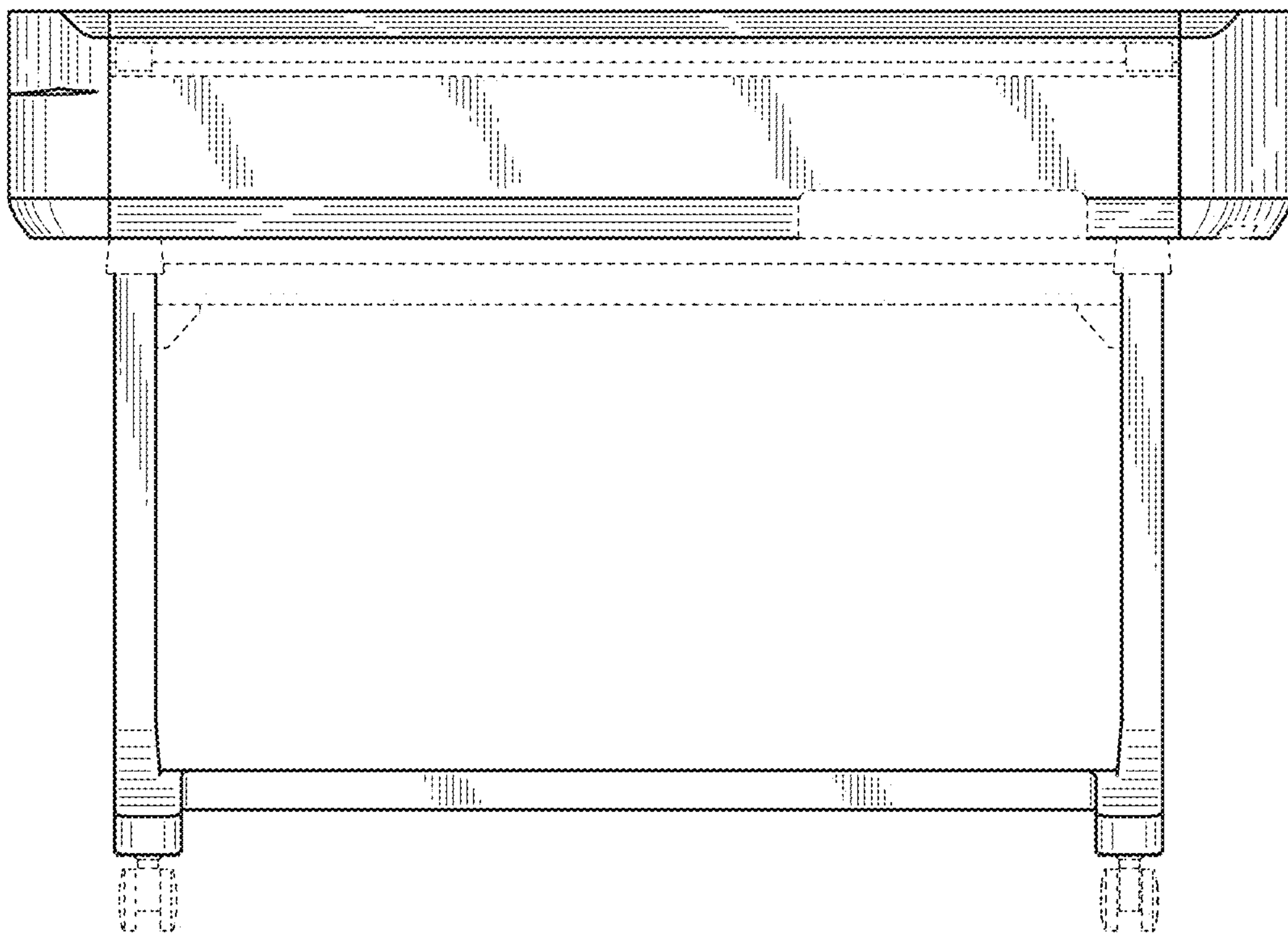


FIG. 13

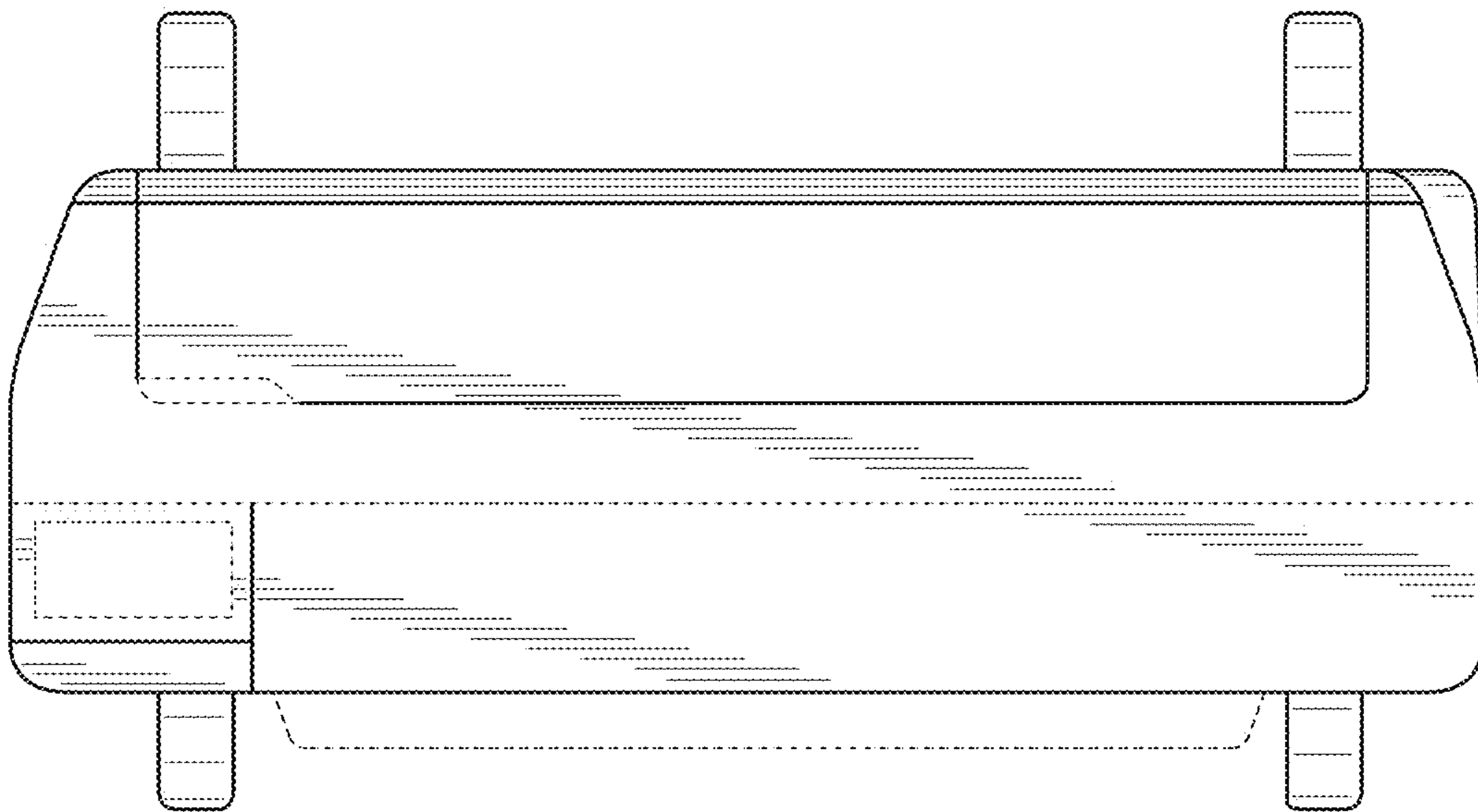


FIG. 14

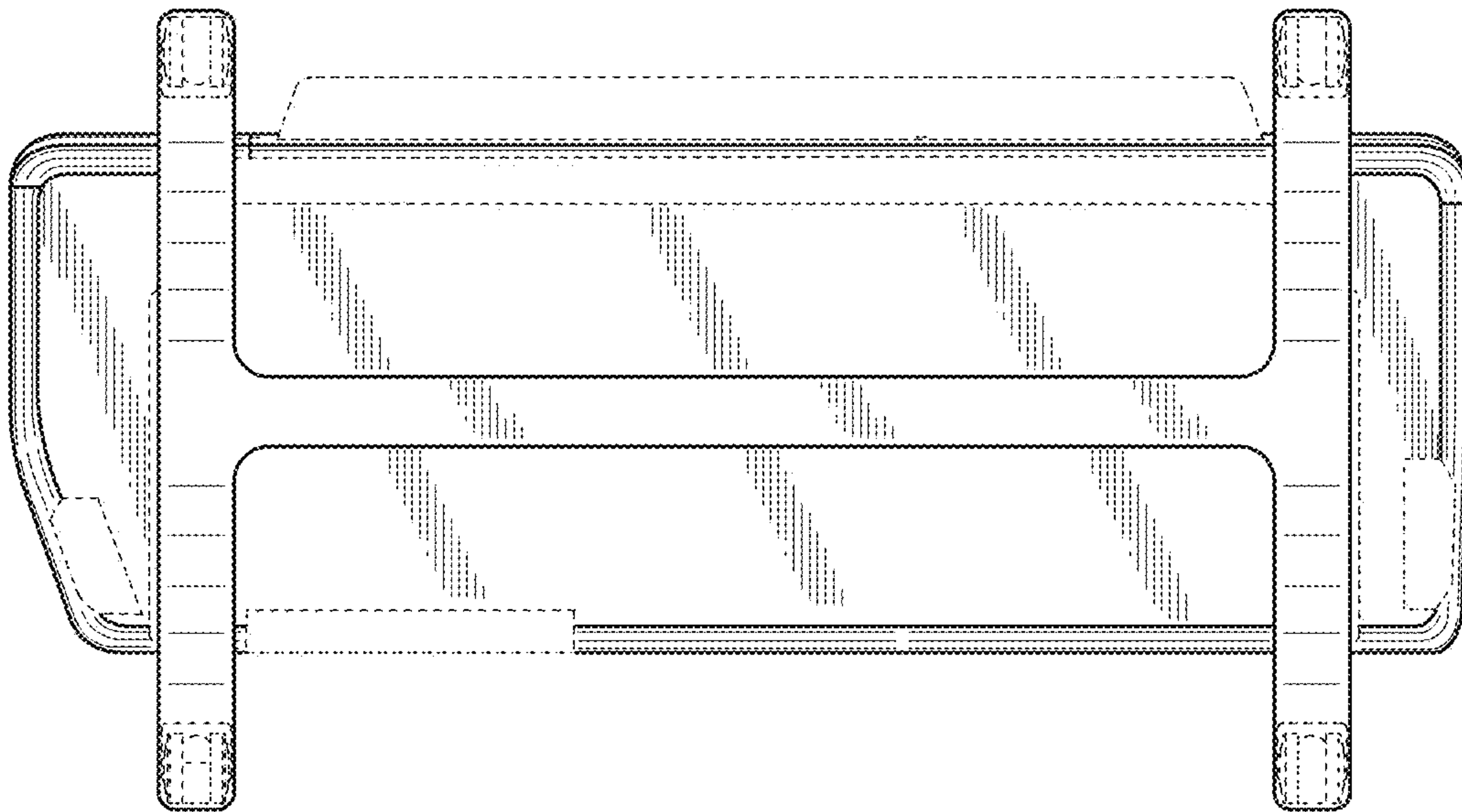


FIG. 15

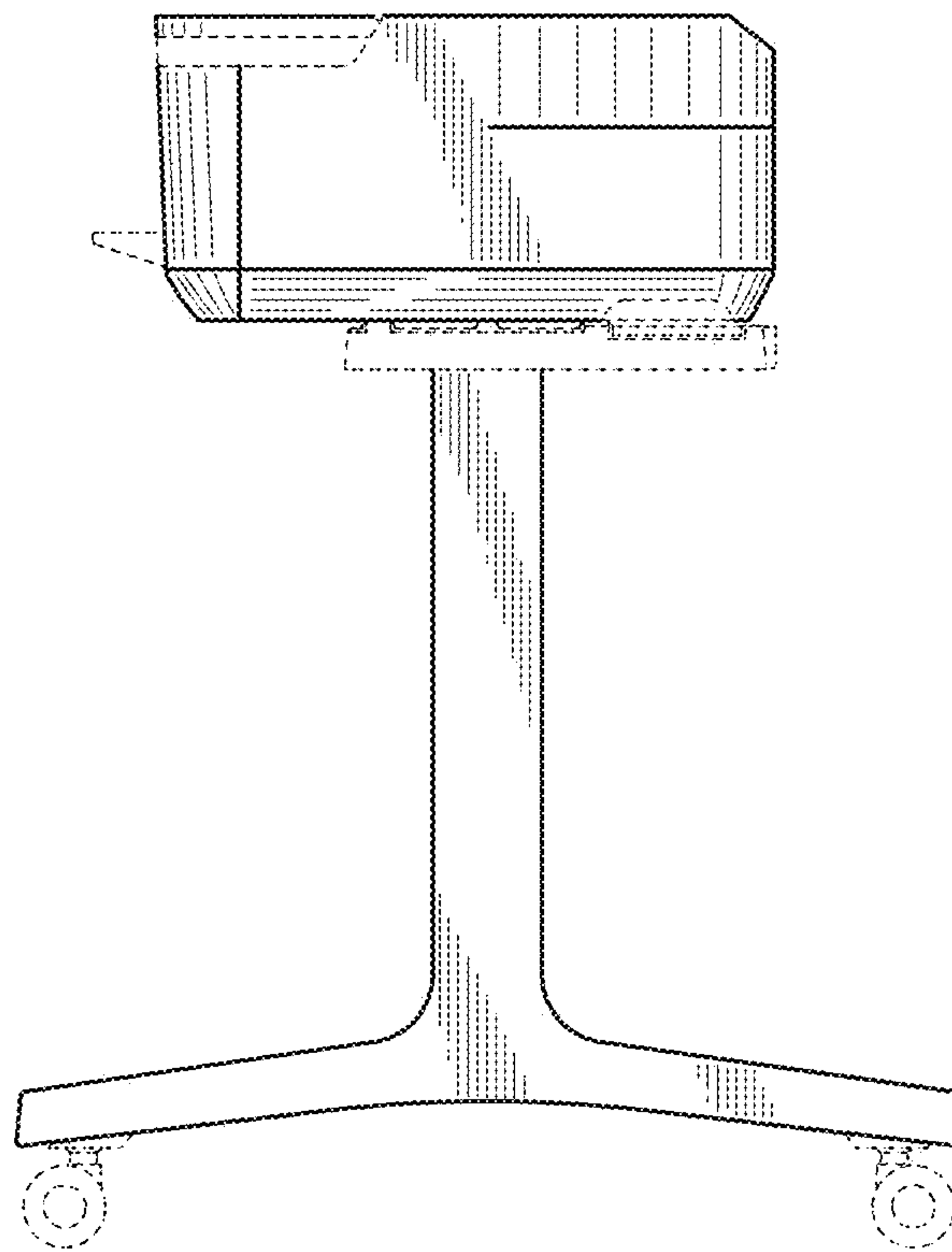


FIG. 16

