



US00D895003S

(12) **United States Design Patent**  
**Minagawa et al.**

(10) **Patent No.:** **US D895,003 S**

(45) **Date of Patent:** **\*\* Sep. 1, 2020**

(54) **PRINTER**

(71) Applicants: **Yoshihisa Minagawa**, Ohta-ku (JP);  
**Masateru Kohno**, Ohta-ku (JP)

(72) Inventors: **Yoshihisa Minagawa**, Ohta-ku (JP);  
**Masateru Kohno**, Ohta-ku (JP)

(73) Assignee: **Ricoh Company, Ltd.**, Tokyo (JP)

(\*\*) Term: **15 Years**

(21) Appl. No.: **29/669,160**

(22) Filed: **Nov. 6, 2018**

(30) **Foreign Application Priority Data**

May 9, 2018 (JP) ..... 2018-010064

(51) **LOC (12) Cl.** ..... **18-02**

(52) **U.S. Cl.**  
USPC ..... **D18/53**

(58) **Field of Classification Search**

USPC ..... D15/122, 135-138, 141, 66, 73, 76-78;  
D18/53, 59, 50, 14, 19, 54-57, 36-45,  
D18/34.4, 34.5, 34.6, 18, 51;  
D14/301-303, 307, 345; D6/691.4, 675,  
D6/708; D13/107, 108  
CPC ..... B41J 2/14; B41J 1/54; B41J 3/4073; B41J  
3/4078; B41F 17/22; B41F 17/003; B41F  
17/38; B28B 1/001; G03G 15/08; G03G  
15/0891; G03G 15/0875; G03G  
2215/0827; G03G 2215/0855; G03G  
21/1842

See application file for complete search history.

(56) **References Cited**

**U.S. PATENT DOCUMENTS**

D210,558 S \* 3/1968 Plantholt et al. .... D18/38  
D212,050 S \* 8/1968 Nederlof ..... D18/39

D228,030 S \* 7/1973 Howard ..... D18/54  
D228,152 S \* 8/1973 Matwey ..... D18/39  
D234,409 S \* 2/1975 Schmeck ..... D18/53  
4,111,551 A \* 9/1978 Klann ..... G03B 27/10  
355/52  
D267,327 S \* 12/1982 Shaffer ..... D15/146  
D295,613 S \* 5/1988 Tanner ..... D10/46  
D305,208 S \* 12/1989 Ross ..... D10/46  
4,888,710 A \* 12/1989 Venthem ..... B43L 13/024  
358/1.6  
4,996,651 A \* 2/1991 Wells ..... B23C 3/00  
346/29  
5,092,696 A \* 3/1992 Armiroli ..... B41J 15/046  
101/417  
5,150,131 A \* 9/1992 Le Jaoudour ..... G01D 15/28  
271/276  
D335,894 S \* 5/1993 Nishikaze ..... D18/55  
D347,239 S \* 5/1994 Okamoto ..... 347/108

(Continued)

*Primary Examiner* — T Chase Nelson

*Assistant Examiner* — Mary Claire Ramirez

(74) *Attorney, Agent, or Firm* — Oblon, McClelland,  
Maier & Neustadt, L.L.P.

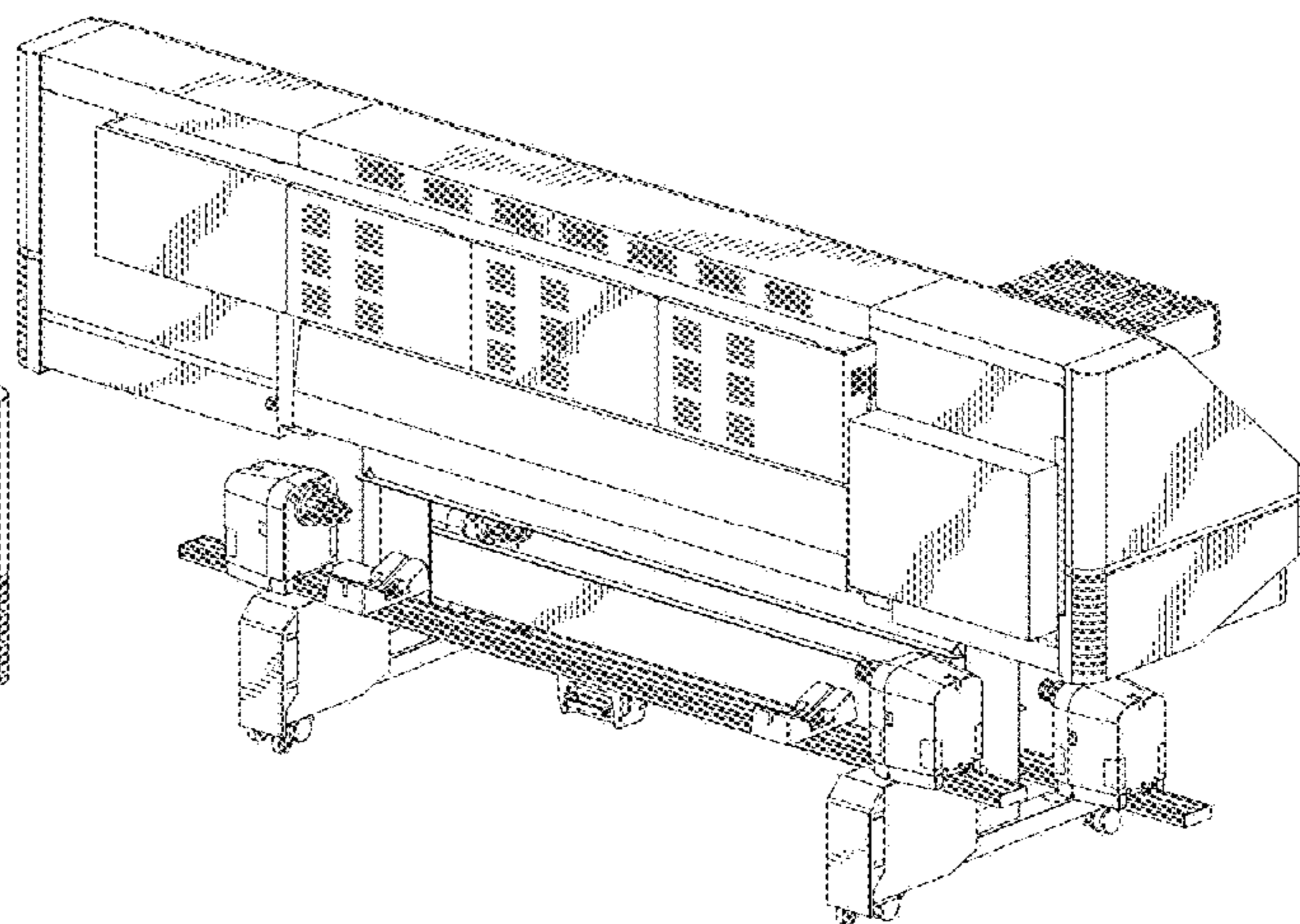
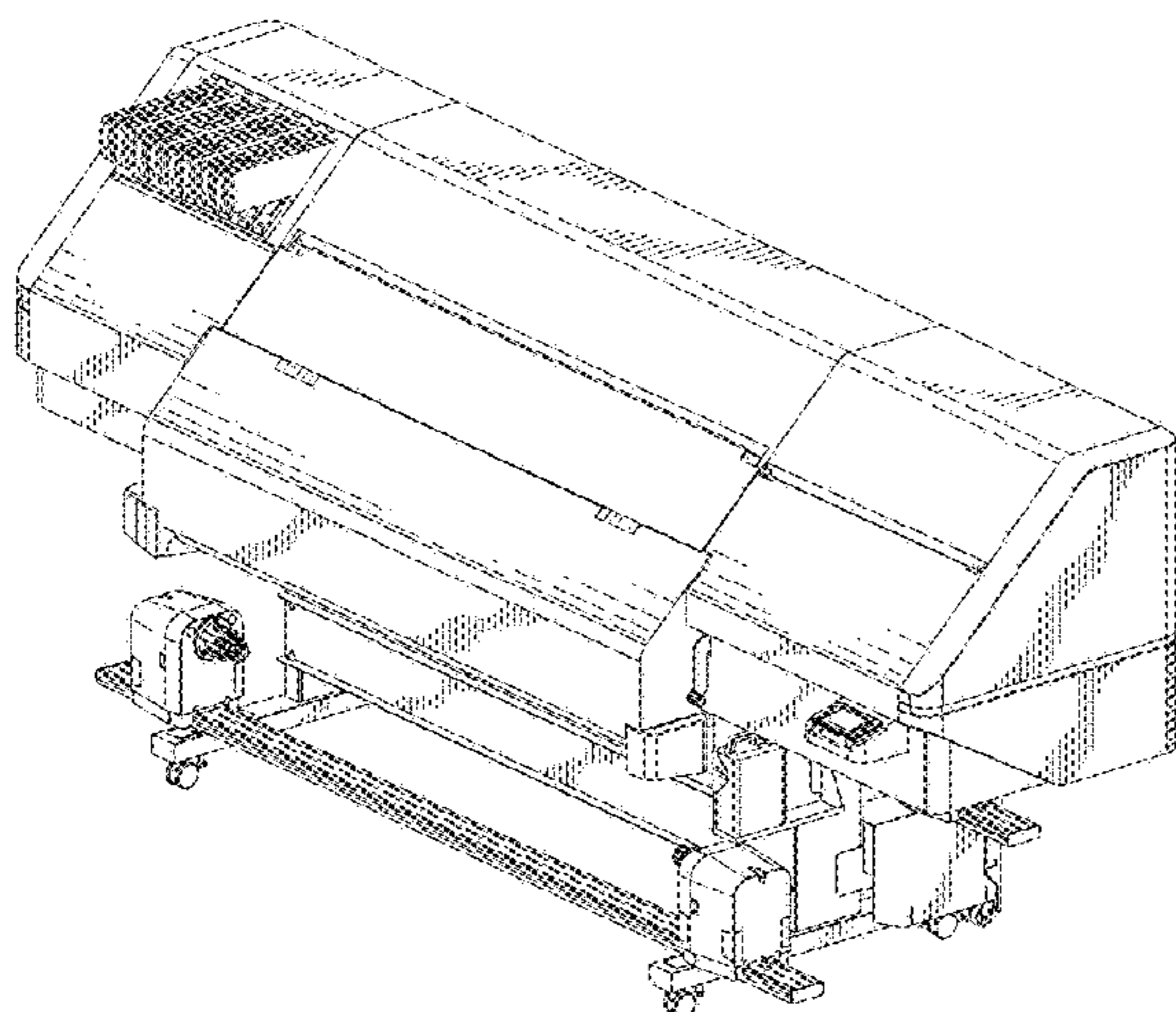
(57) **CLAIM**

The ornamental design for a printer, as shown and described.

**DESCRIPTION**

FIG. 1 is a front, top, and right side perspective view of a printer showing the new design;  
FIG. 2 is a rear, top, and left side perspective view thereof;  
FIG. 3 is a front elevational view thereof;  
FIG. 4 is a rear elevational view thereof;  
FIG. 5 is a top plan view thereof;  
FIG. 6 is a bottom plan view thereof;  
FIG. 7 is a right side elevational view thereof; and,  
FIG. 8 is a left side elevational view thereof.  
The broken lines shown in the figures are for the purpose of illustrating portions of the printer that form no part of the claimed design.

**1 Claim, 7 Drawing Sheets**



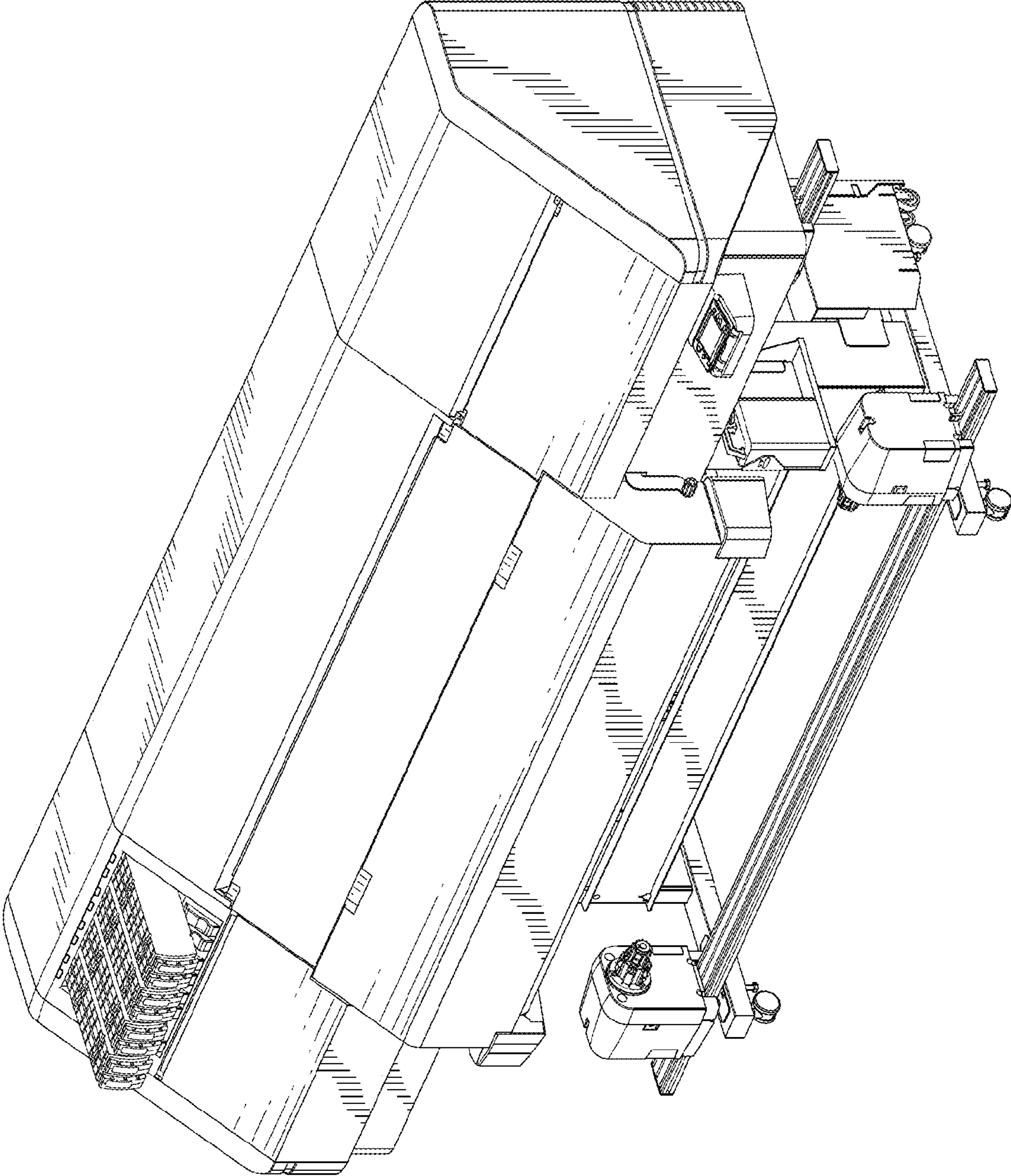
(56)

**References Cited**

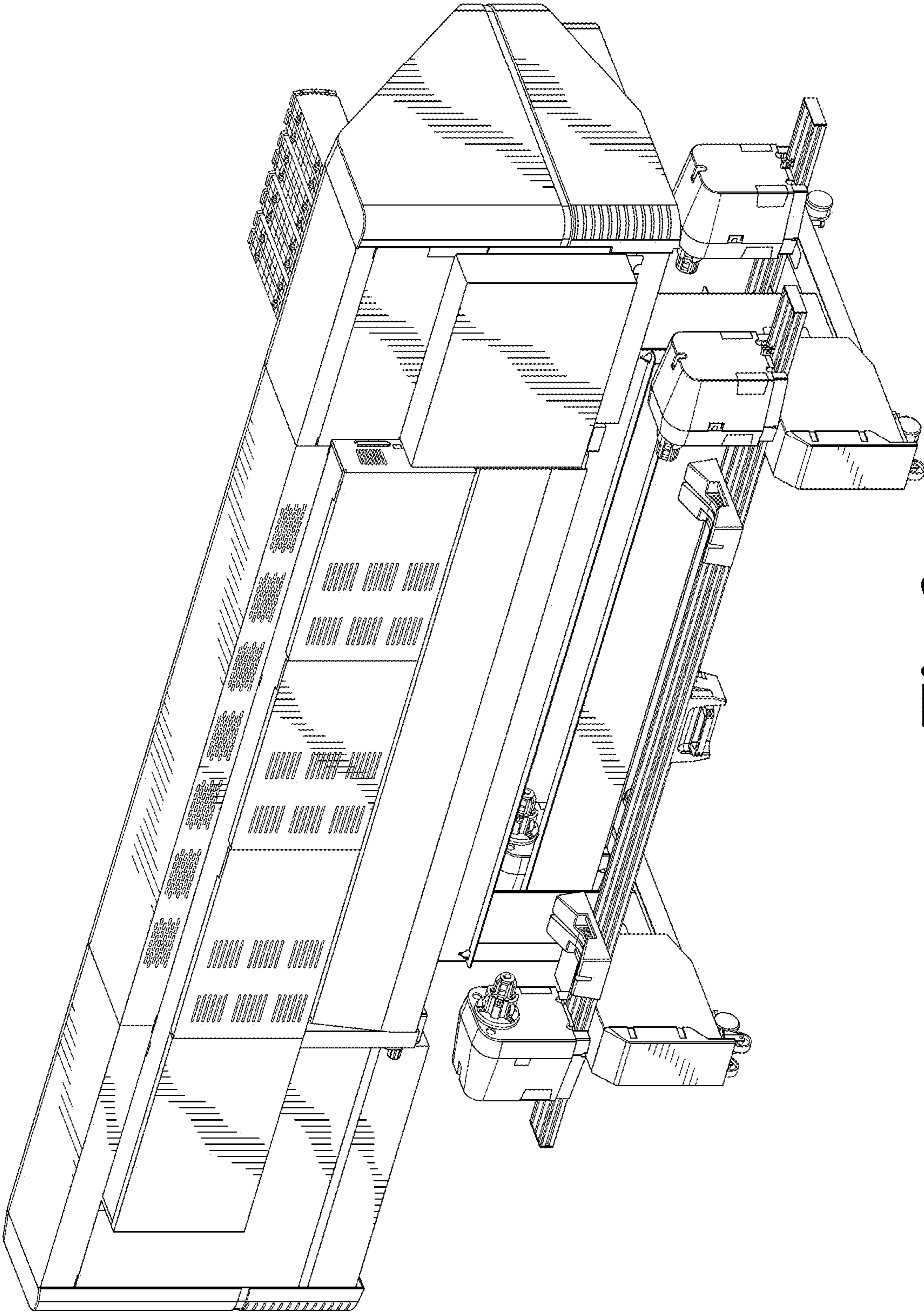
## U.S. PATENT DOCUMENTS

5,719,608 A \* 2/1998 Sabonis ..... B41J 2/175  
347/85  
5,751,303 A \* 5/1998 Erickson ..... B41J 2/175  
347/102  
5,929,883 A \* 7/1999 Gunther ..... B41J 2/17509  
347/85  
6,247,802 B1 \* 6/2001 Gasso ..... B41J 2/175  
347/85  
D445,824 S \* 7/2001 Yamano ..... D18/53  
7,011,400 B2 \* 3/2006 Nakano ..... B41J 11/0025  
347/101  
7,055,925 B2 \* 6/2006 Subirada ..... H04N 1/23  
347/19  
D529,545 S \* 10/2006 Kimura ..... D18/53  
D595,345 S \* 6/2009 Yagi ..... D18/53  
D595,346 S \* 6/2009 Yamano ..... D18/53  
D668,288 S \* 10/2012 Chiang ..... D18/34.1  
D703,246 S \* 4/2014 Pettersson ..... D15/122  
D713,845 S \* 9/2014 Taniho ..... D14/422  
D723,100 S \* 2/2015 Minagawa ..... D18/53  
D728,678 S \* 5/2015 Cesar ..... D18/53  
D747,766 S \* 1/2016 Cesar ..... D18/53  
D751,637 S \* 3/2016 Cesar ..... D18/53  
9,288,367 B2 \* 3/2016 Hirata ..... H04N 1/6044  
D822,084 S \* 7/2018 Hodgkiss ..... D15/147  
D823,383 S \* 7/2018 Miyauchi ..... D18/53  
D823,384 S \* 7/2018 Miyauchi ..... D18/53  
2006/0150840 A1 \* 7/2006 Lee ..... B41J 3/4078  
101/196  
2014/0111587 A1 \* 4/2014 Nakano ..... B41J 11/0005  
347/104  
2014/0283701 A1 \* 9/2014 Lewis ..... B41J 11/0085  
101/407.1  
2019/0030932 A1 \* 1/2019 Takenouchi ..... B41J 29/02

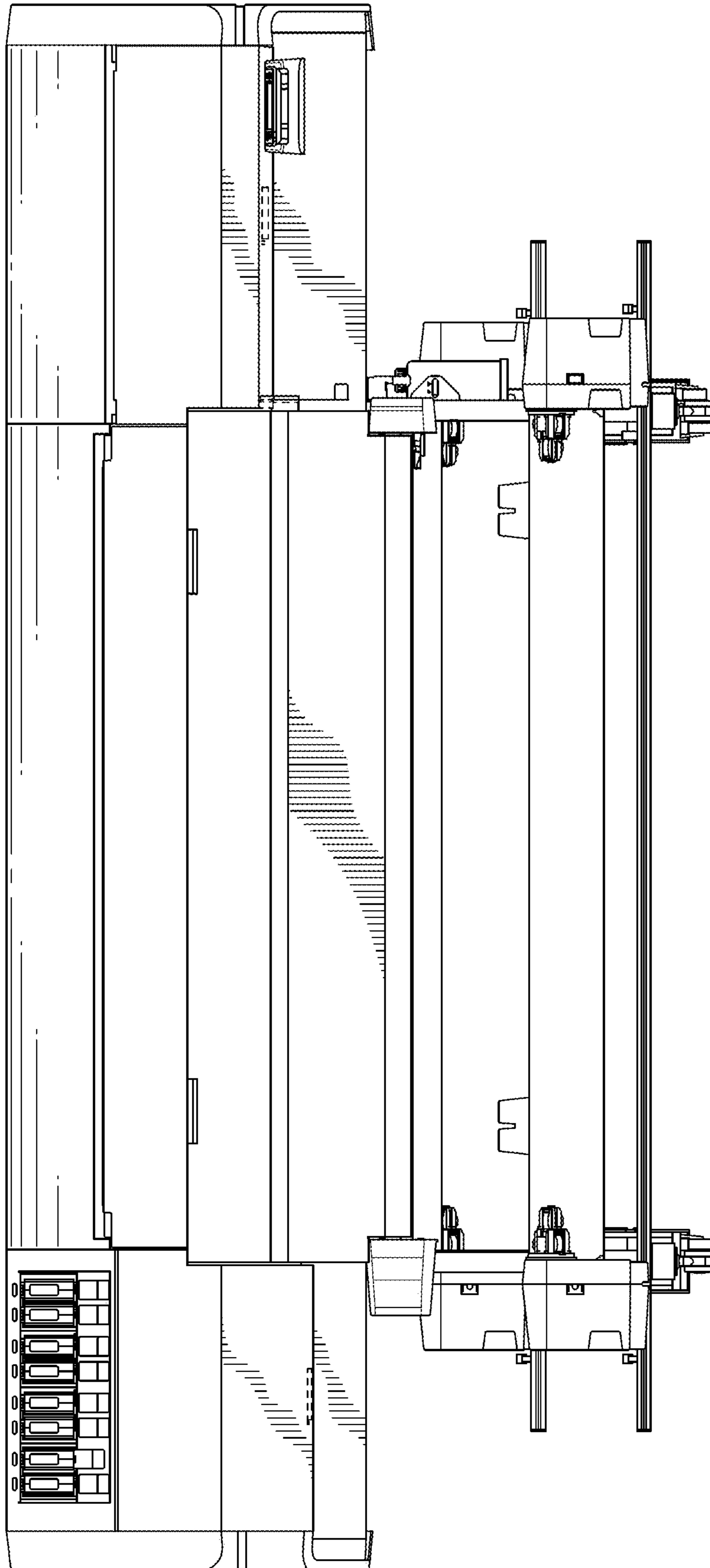
\* cited by examiner



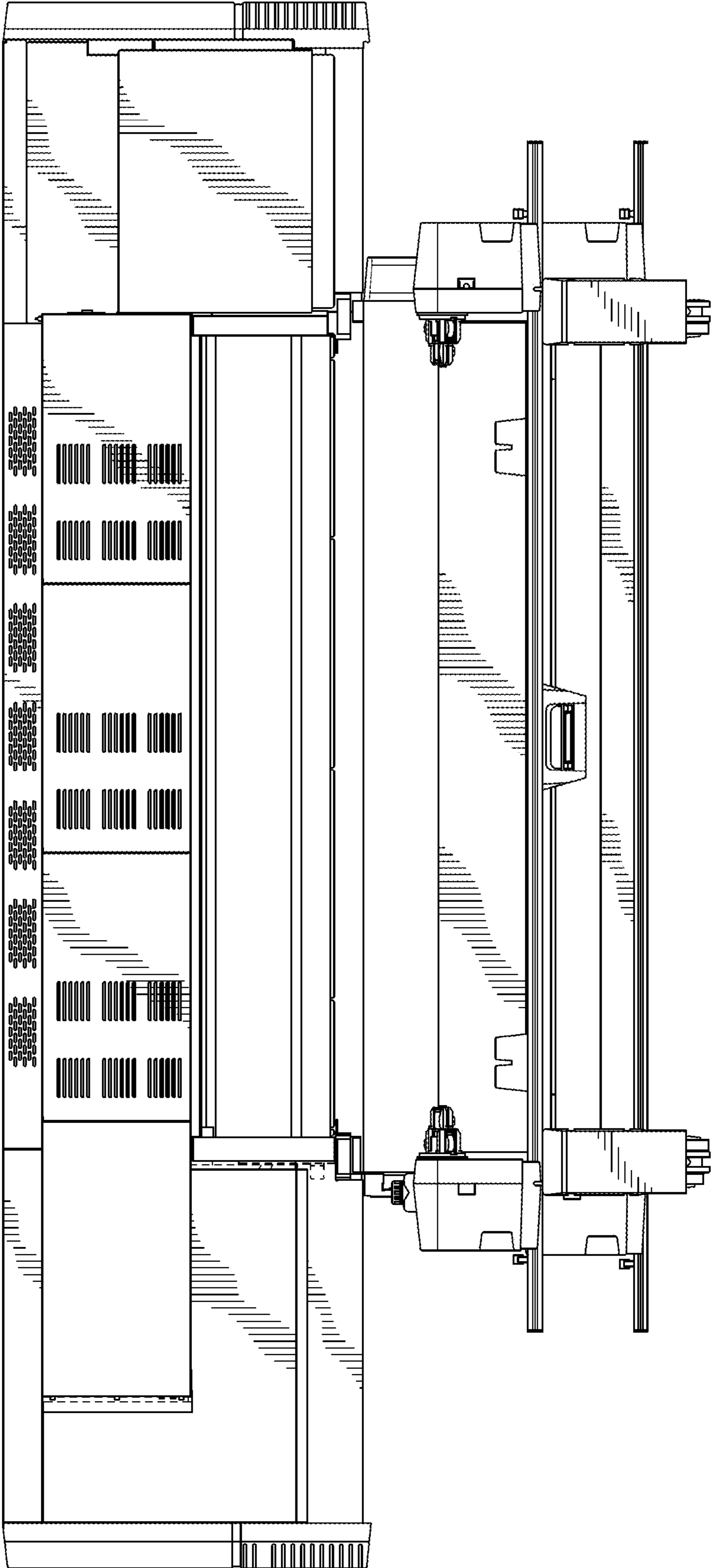
*Fig. 1*



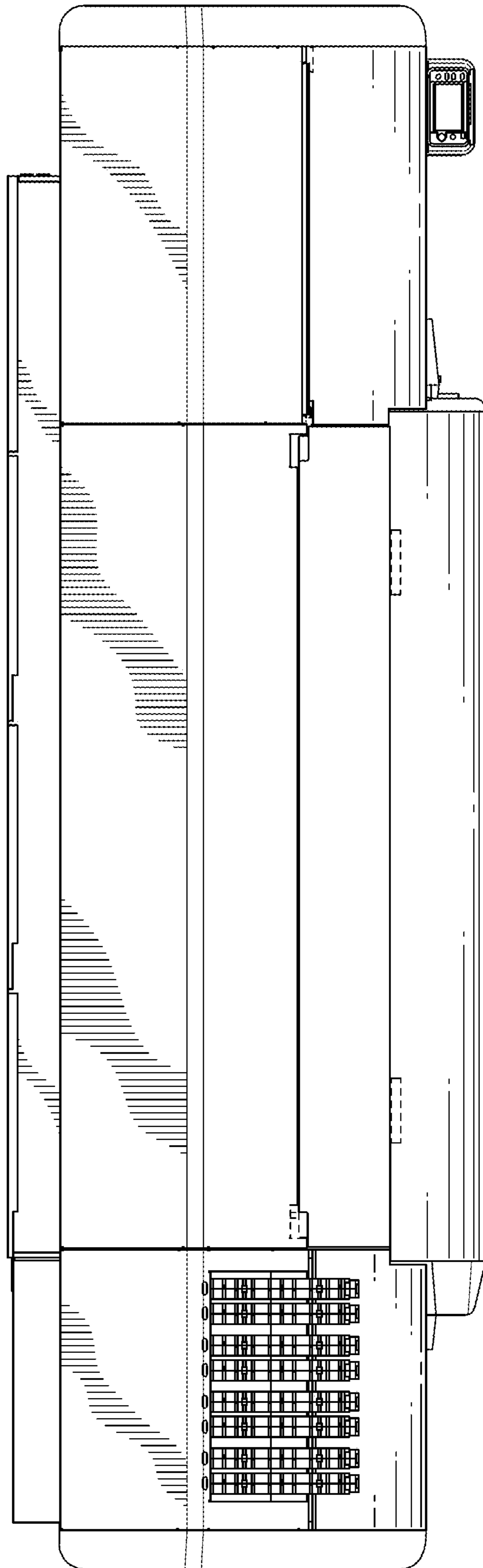
*Fig. 2*



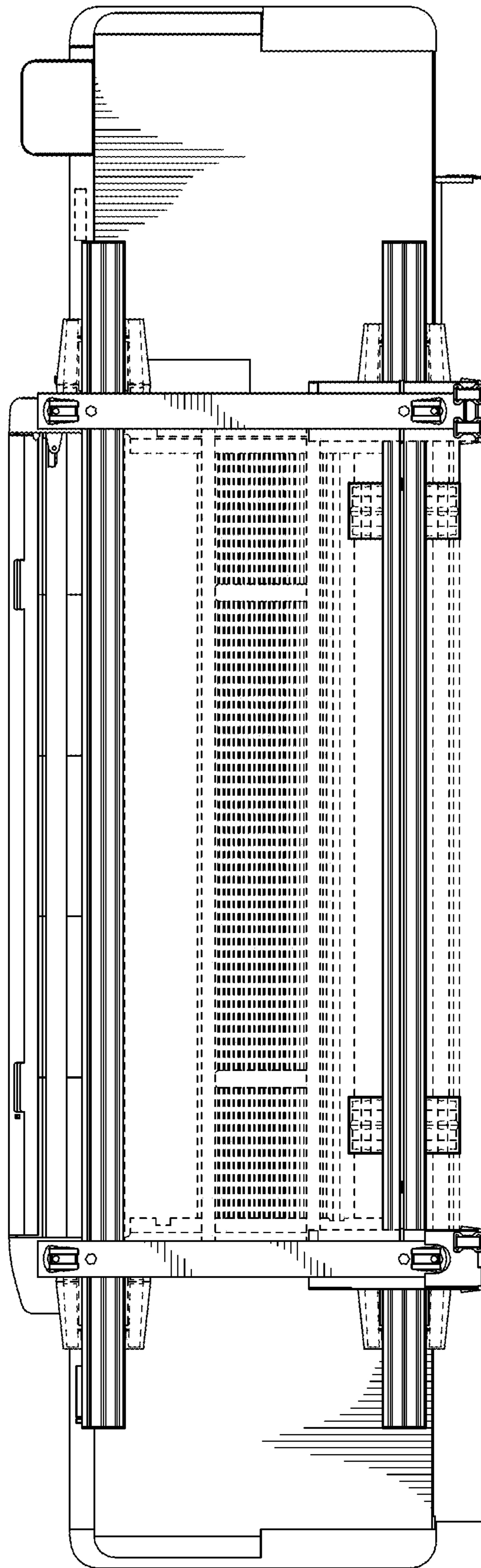
*Fig. 3*



*Fig. 4*

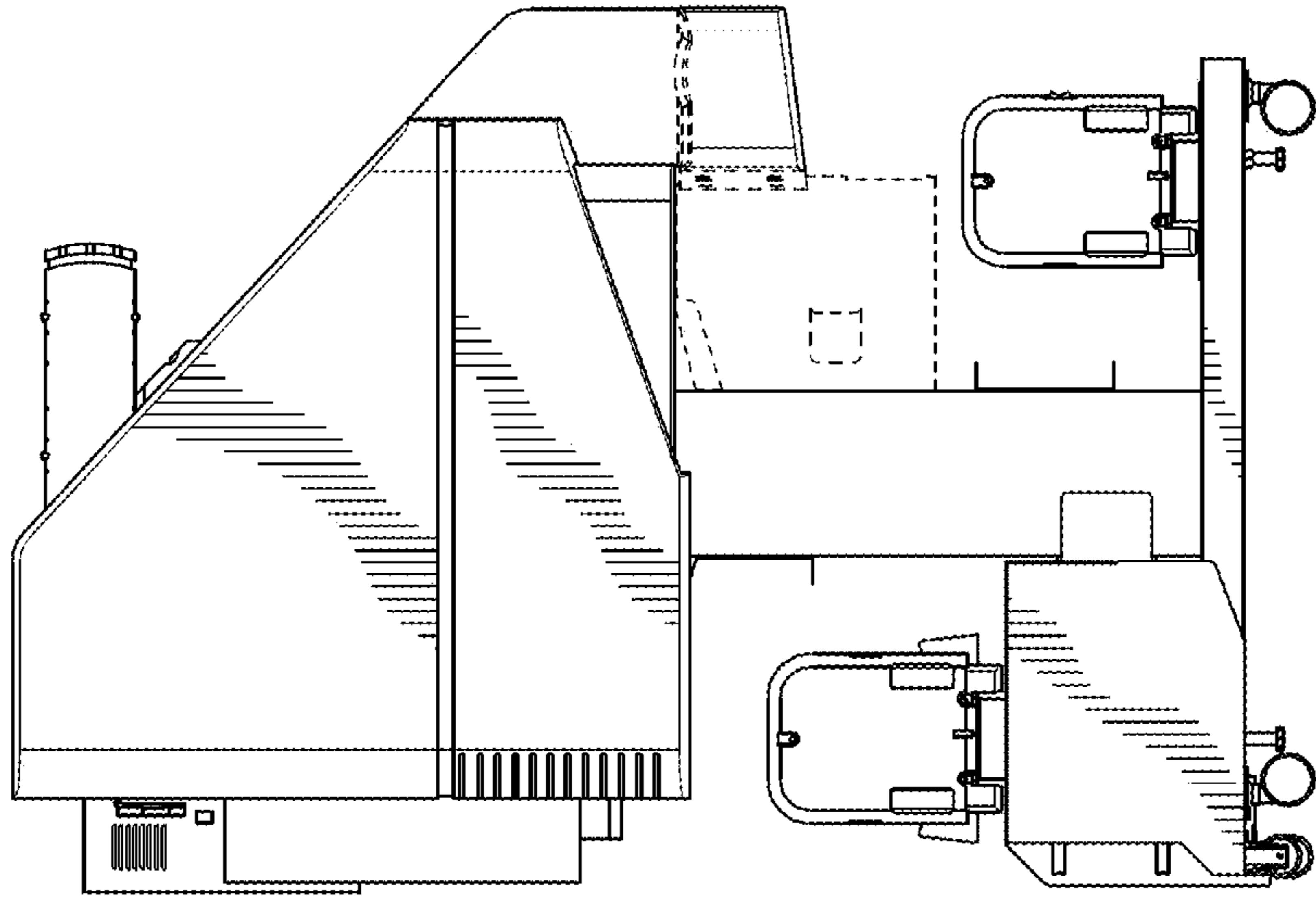


*Fig. 5*

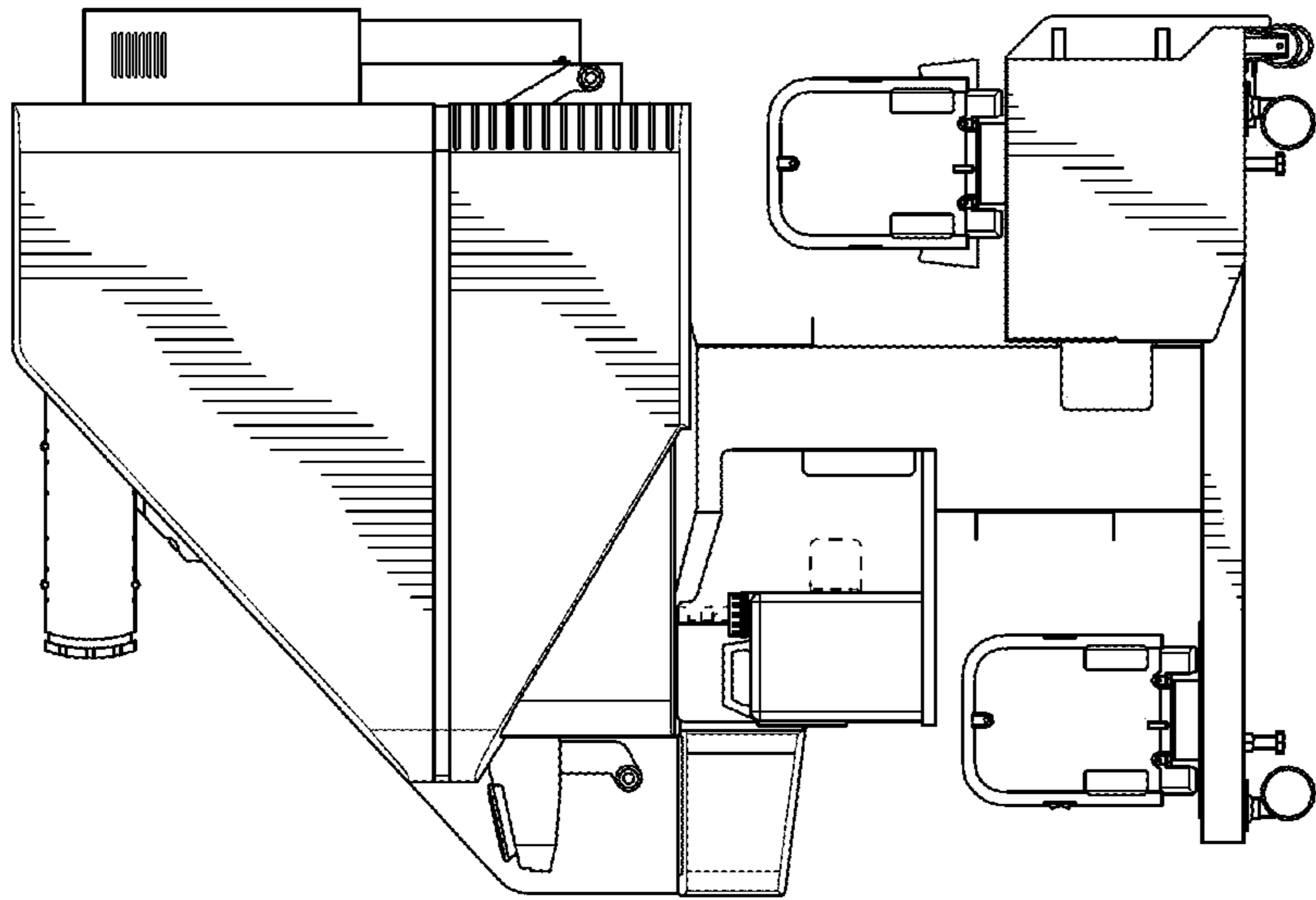


*Fig. 6*





*Fig. 8*



*Fig. 7*