



US00D895001S

(12) **United States Design Patent**
Midorikawa

(10) **Patent No.:** **US D895,001 S**

(45) **Date of Patent:** **** Sep. 1, 2020**

(54) **POINT-OF-SALE TERMINAL**

(71) Applicant: **NEC Platforms, Ltd.**, Kawasaki-shi,
Kanagawa (JP)

(72) Inventor: **Kiyoshi Midorikawa**, Kawasaki (JP)

(73) Assignee: **NEC PLATFORMS, LTD.**,
Kawasaki-Shi, Kanagawa (JP)

(**) Term: **15 Years**

(21) Appl. No.: **29/685,506**

(22) Filed: **Mar. 28, 2019**

(30) **Foreign Application Priority Data**

Sep. 28, 2018 (JP) 2018-021387
Sep. 28, 2018 (JP) 2018-021389

(51) **LOC (12) Cl.** **18-01**

(52) **U.S. Cl.**
USPC **D18/4.5**

(58) **Field of Classification Search**
USPC D18/4.4, 4.5, 4.6, 2, 11, 12, 12.3, 50, 14,
D18/19–21, 54, 99, 4.1, 4.3; D14/300,
(Continued)

(56) **References Cited**

U.S. PATENT DOCUMENTS

D294,943 S * 3/1988 Day D14/447
D360,196 S * 7/1995 Cox D18/4.5
(Continued)

OTHER PUBLICATIONS

Application Papers commonly assigned Design U.S. Appl. No.
29/685,503, filed Mar. 28, 2019 to: Midorikawa, Kiyoshi.

Primary Examiner — Marie D. Fast Horse

(74) *Attorney, Agent, or Firm* — Buchanan Ingersoll &
Rooney PC

(57) **CLAIM**

The ornamental design for a point-of-sale terminal, as
shown and described.

DESCRIPTION

FIG. 1 is a front, left side, top perspective view of the first
embodiment of a point-of-sale terminal showing my new
design;

FIG. 2 is a front elevational view of the first embodiment
thereof;

FIG. 3 is a rear elevational view of the first embodiment
thereof;

FIG. 4 is a left side view of the first embodiment thereof;

FIG. 5 is a right side view of the first embodiment thereof;

FIG. 6 is a top plan view of the first embodiment thereof;

FIG. 7 is a bottom plan view of the first embodiment thereof;

FIG. 8 is a front, left side, top perspective view of the second
embodiment of a point-of-sale terminal showing my new
design;

FIG. 9 is a front elevational view of the second embodiment
thereof;

FIG. 10 is a rear elevational view of the second embodiment
thereof;

FIG. 11 is a left side view of the second embodiment thereof;

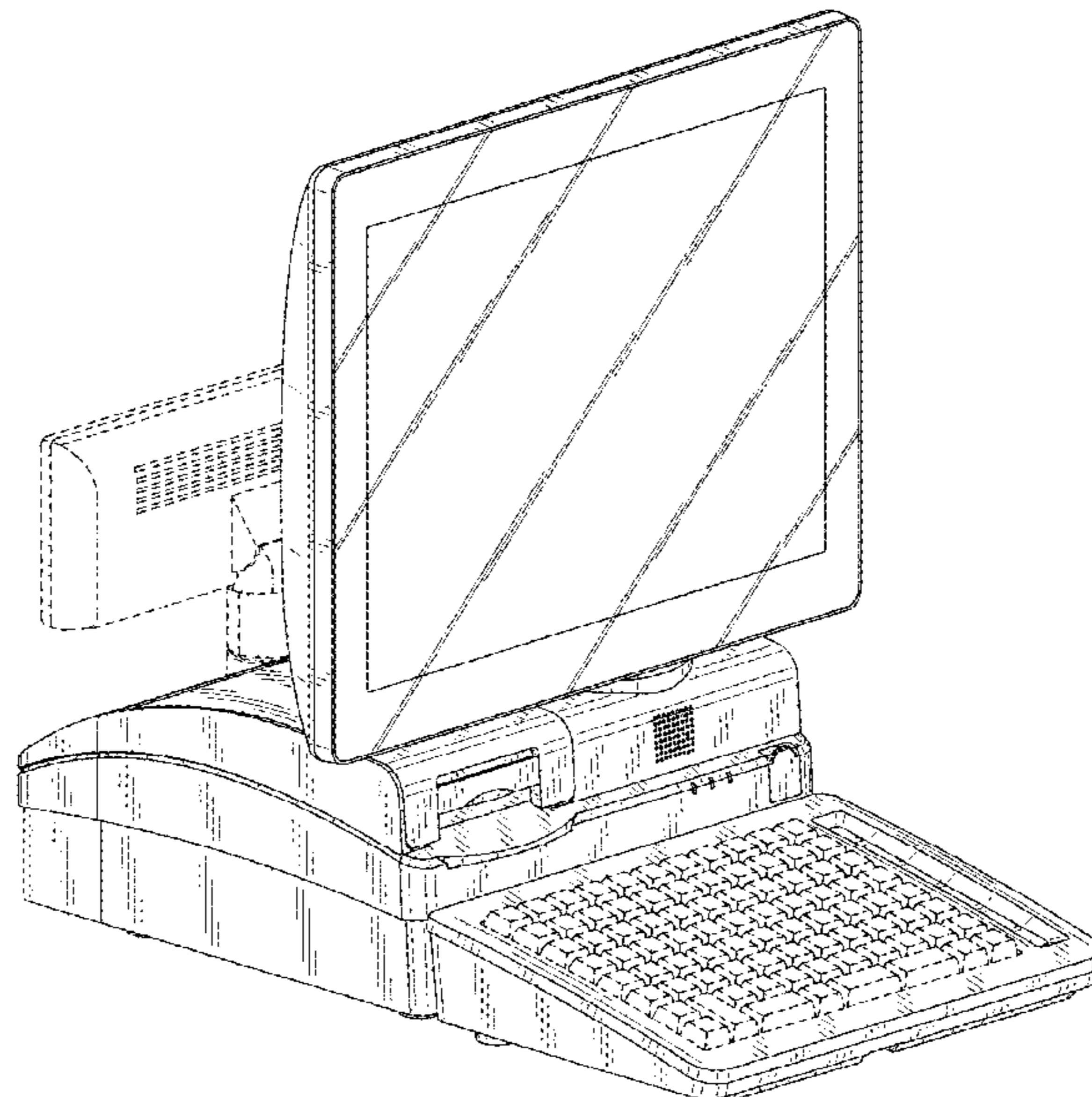
FIG. 12 is a right side view of the second embodiment
thereof;

FIG. 13 is a top plan view of the second embodiment
thereof; and,

FIG. 14 is a bottom plan view of the second embodiment
thereof.

The broken lines depict portions of the point-of-sale termi-
nal that form no part of the claimed design. The unshaded
surfaces on the bottom of the point-of sale terminal form no
part of the claimed design.

1 Claim, 14 Drawing Sheets



(58) **Field of Classification Search**

USPC D14/307, 314, 328, 332-340, 356, 383,
 D14/385, 386, 434, 447, 451, 453, 457,
 D14/496, 507, 509, 510, 168, 299, 900,
 D14/902; D10/46, 61, 62, 70, 104.1,
 D10/104.2, 106.2, 106.6, 65, 66; D20/1,
 D20/8, 9; D99/28, 43
 CPC H04W 8/22; H04W 52/0225; H04W
 52/0254; G06Q 20/00; G06Q 20/08;
 G06Q 20/20; G07F 7/0873; G07F 7/088;
 G07G 1/0009; G07G 1/0018

See application file for complete search history.

(56) **References Cited**

U.S. PATENT DOCUMENTS

D389,813 S * 1/1998 Itoh D18/4.5
 D424,098 S * 5/2000 Kim D14/375
 D430,870 S * 9/2000 Maruyama 345/104
 D491,216 S * 6/2004 Ookushi D18/12.3
 D492,718 S * 7/2004 Ookushi D18/12.3
 D494,176 S * 8/2004 Porter D14/336
 D496,682 S * 9/2004 Ookushi D18/4.4
 7,017,803 B2 * 3/2006 Ichikawa G07G 1/0018
 235/379

D526,003 S * 8/2006 Shih D18/4.5
 D527,759 S * 9/2006 Ono D18/4.5
 D527,760 S * 9/2006 Ono D18/4.5
 D529,073 S * 9/2006 Ono D18/4.5
 D536,726 S * 2/2007 Ono D18/4.5
 D542,333 S * 5/2007 Ando D18/4.5
 D542,834 S * 5/2007 Ando D18/4.5
 D543,231 S * 5/2007 Ando D18/4.3
 D545,882 S * 7/2007 Sato D18/4.4
 D587,296 S * 2/2009 Kuramochi D18/4.5
 D594,055 S * 6/2009 Hagiwara D18/4.5
 D598,045 S * 8/2009 Iwata D18/4.5
 D614,687 S * 4/2010 Ono D18/4.5
 D615,120 S * 5/2010 Ono D18/4.5
 D615,583 S * 5/2010 Ono D18/4.5
 D687,483 S * 8/2013 Hagiwara D18/4.4
 9,952,822 B2 * 4/2018 Nakashima G07G 1/01
 D849,832 S * 5/2019 Baker D18/4.5
 2004/0001305 A1 * 1/2004 Chuang G06F 1/1632
 361/679.3
 2007/0268664 A1 * 11/2007 Kobayashi G06F 1/16
 361/695
 2011/0109926 A1 * 5/2011 Asaga G07G 1/0036
 358/1.9
 2011/0225056 A1 * 9/2011 Akiyama G06Q 20/20
 705/16

* cited by examiner

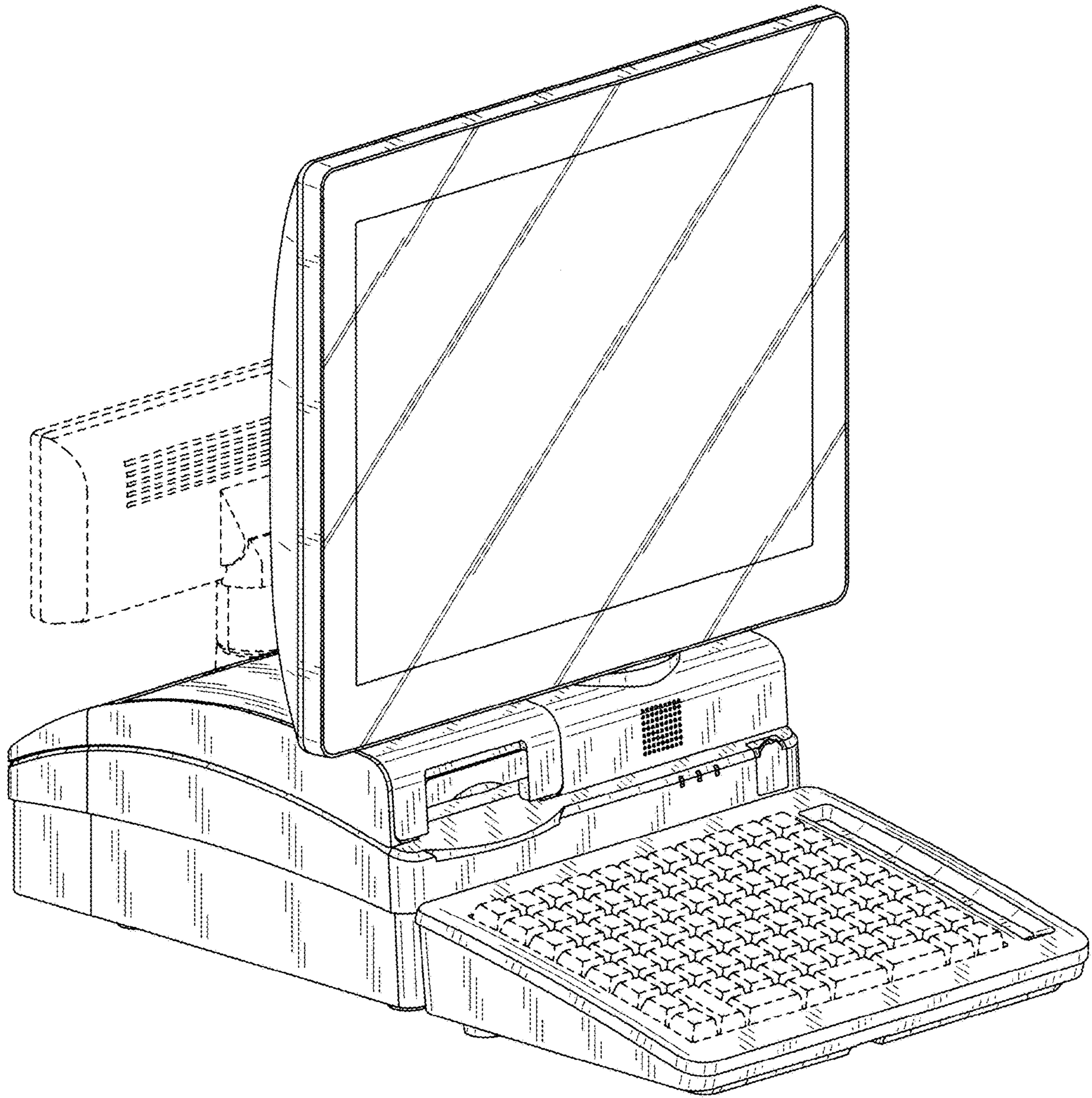


FIG. 1

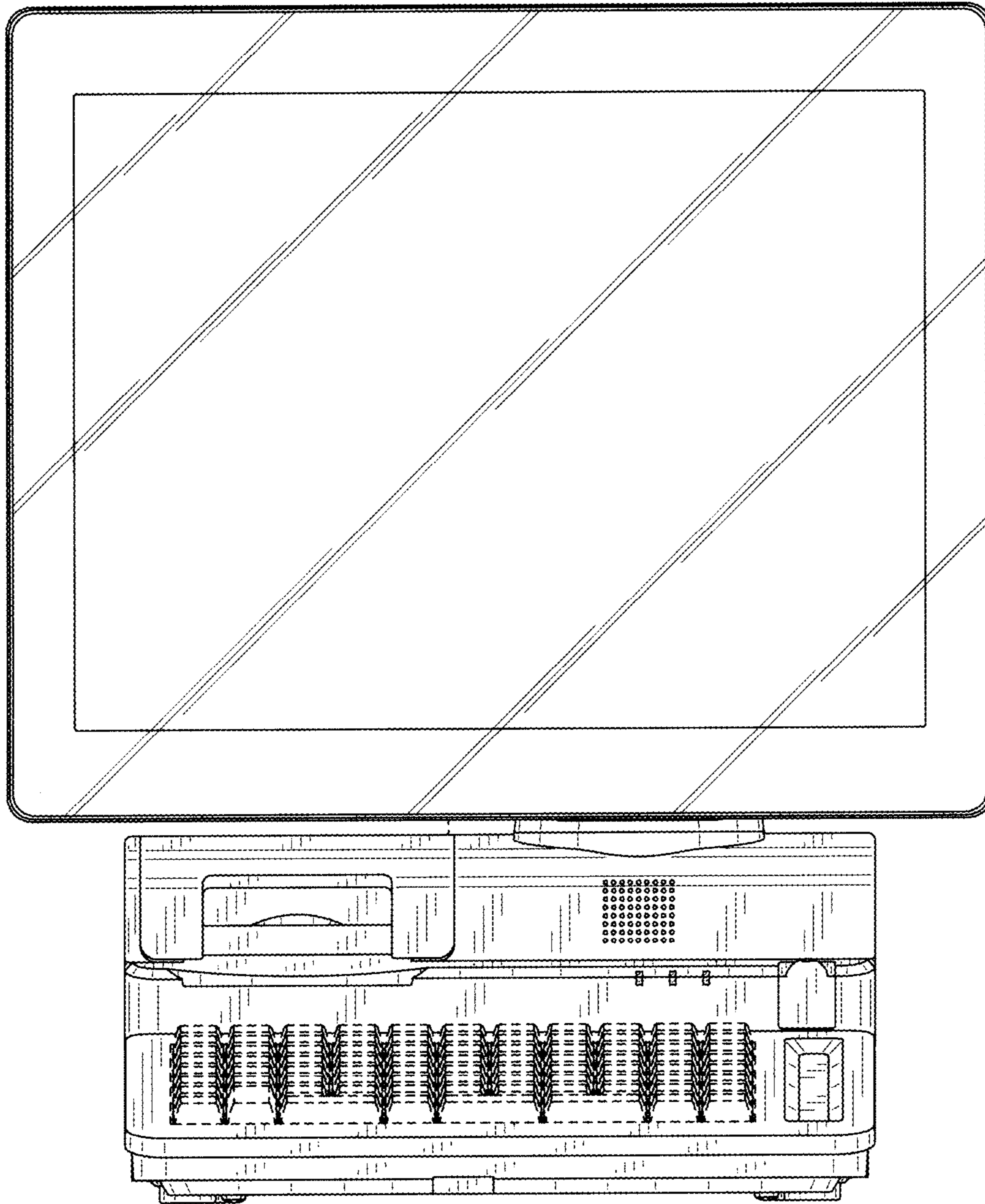


FIG. 2

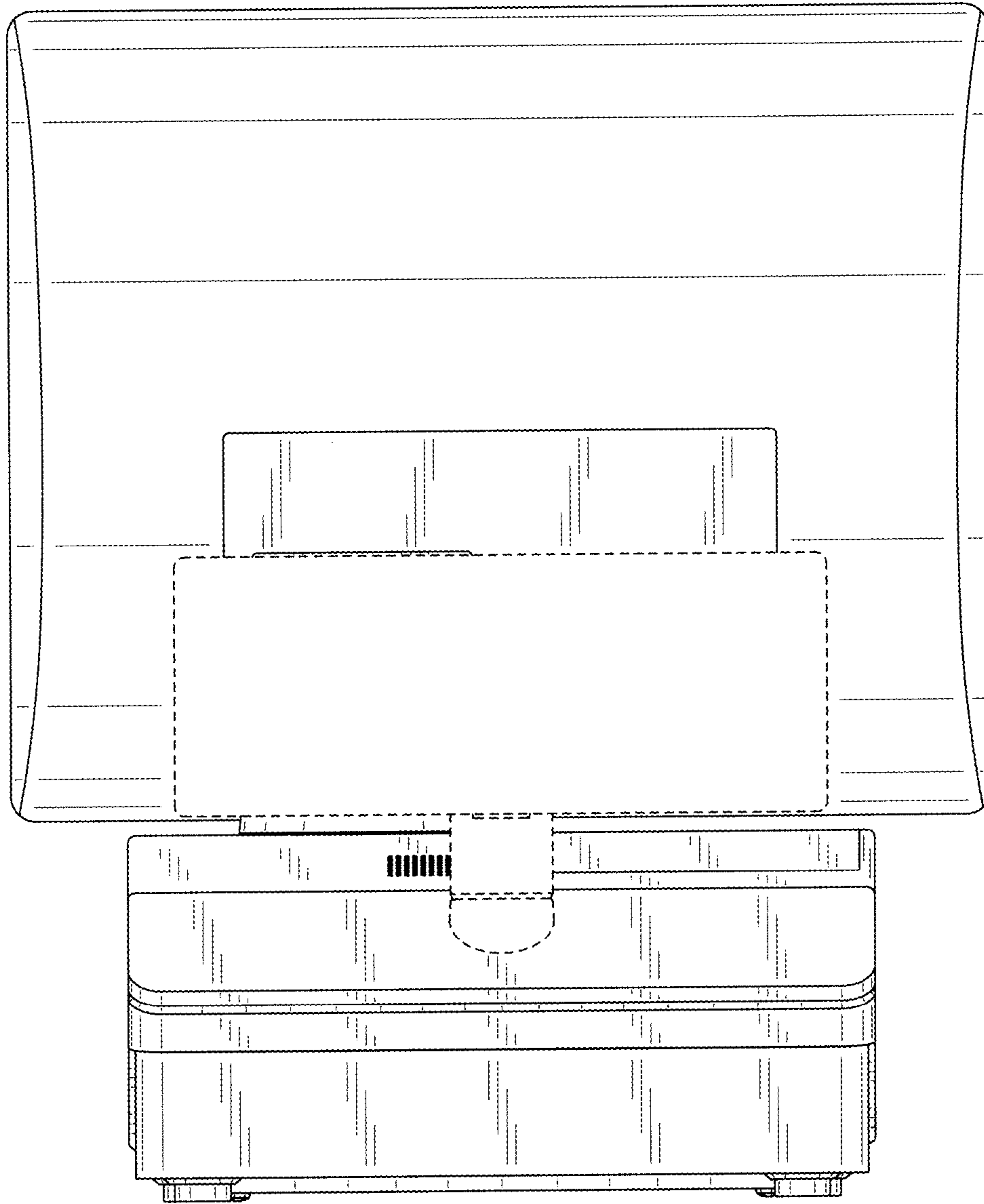


FIG. 3

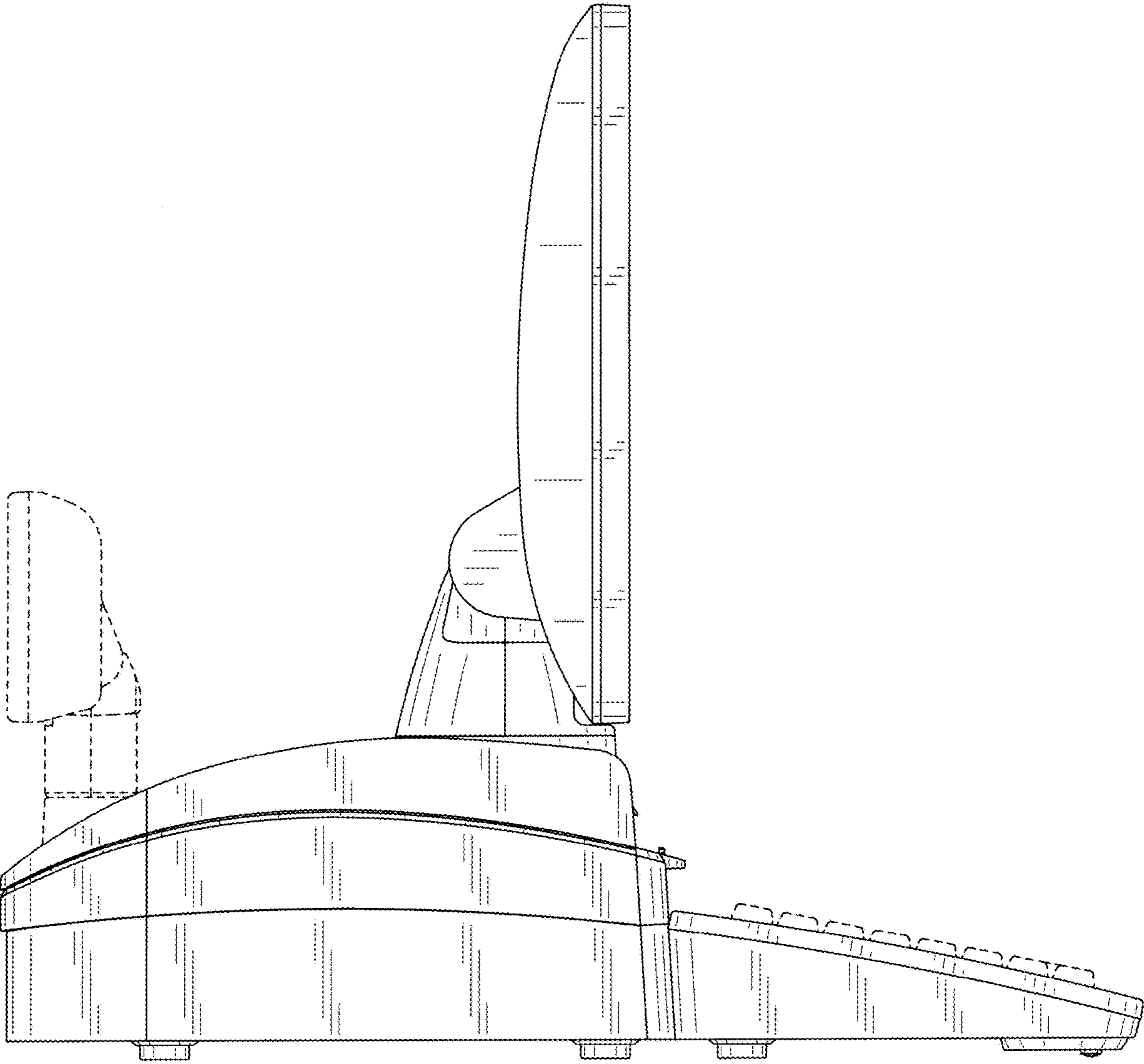


FIG. 4

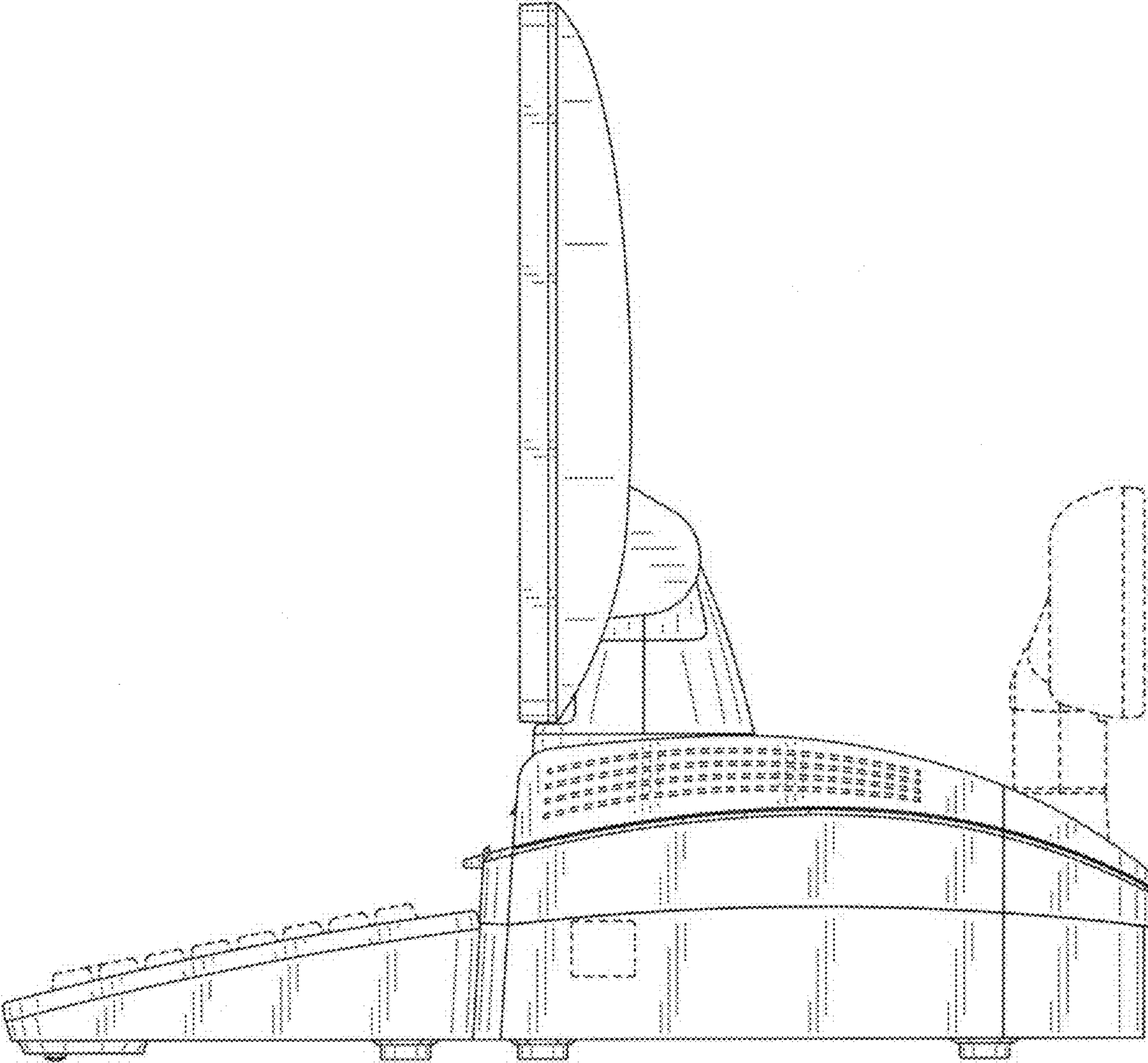


FIG. 5

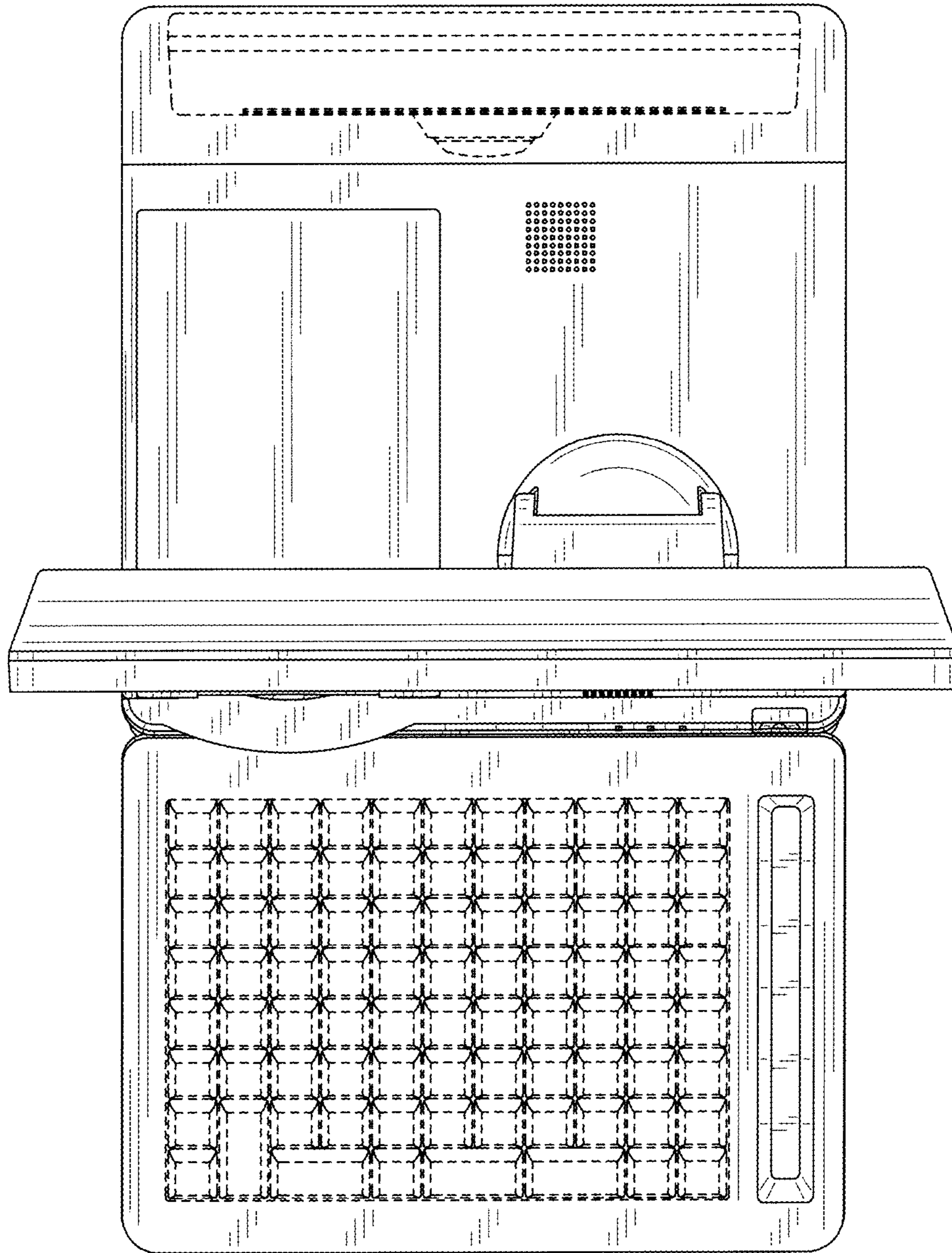


FIG. 6

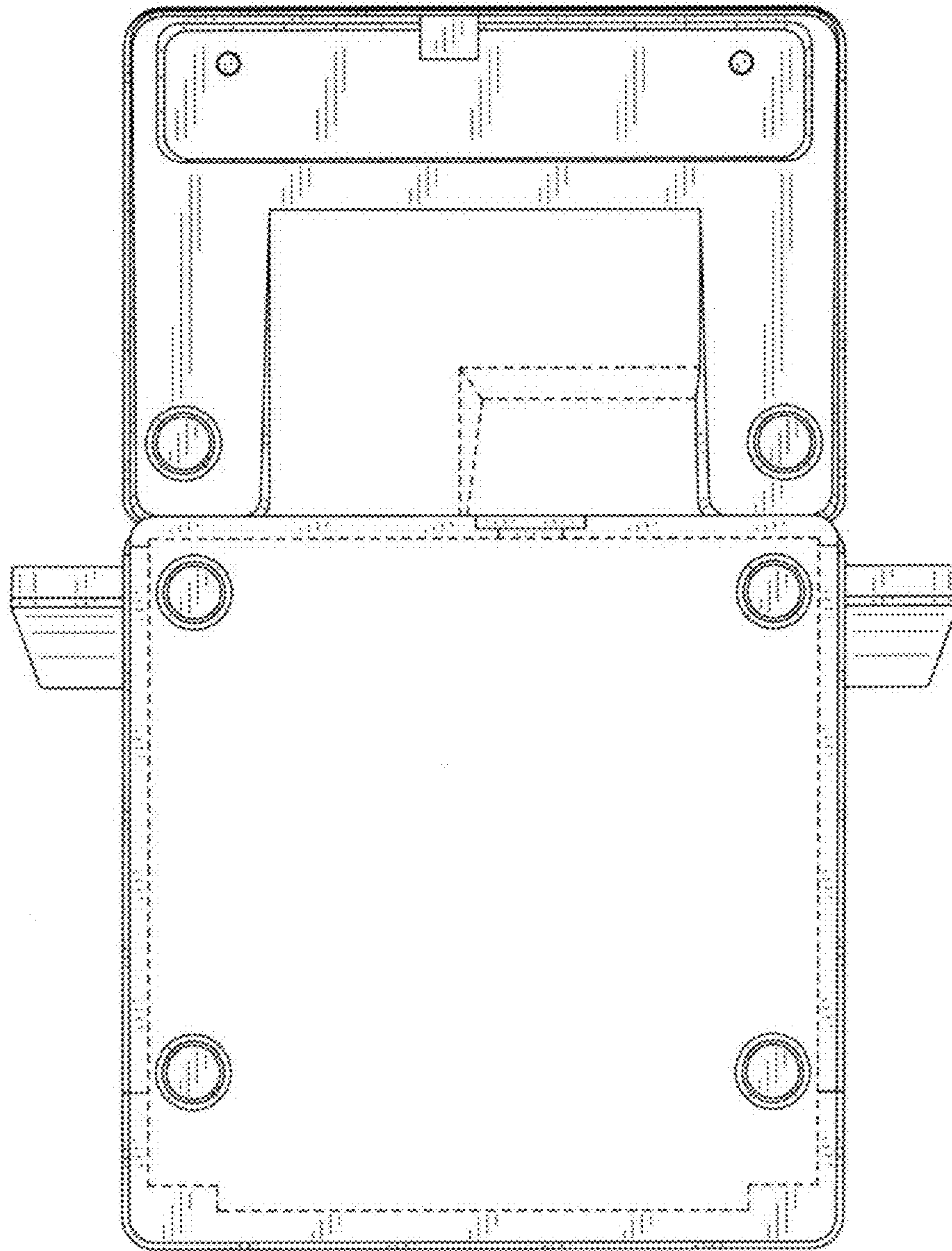


FIG. 7

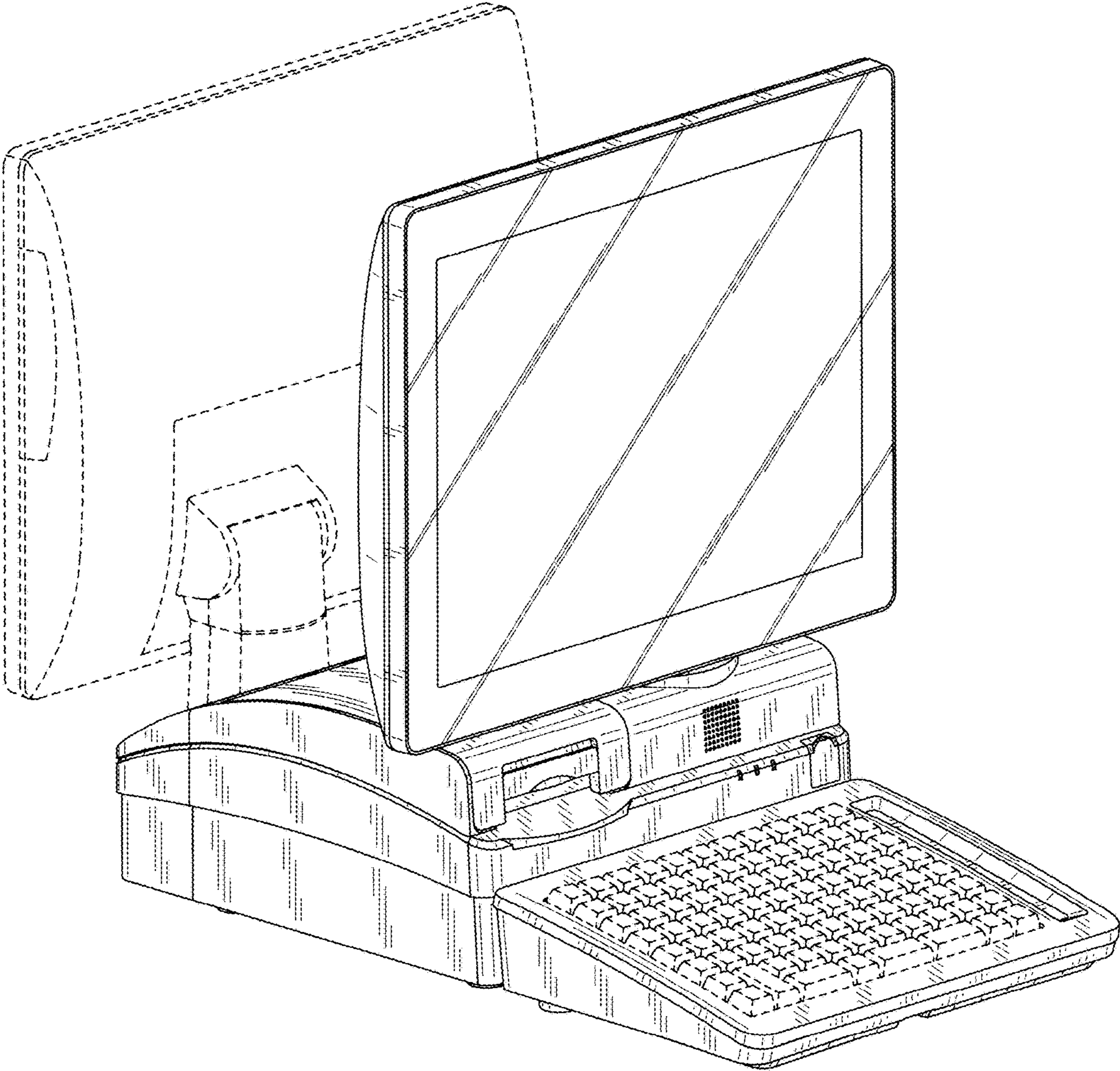


FIG. 8

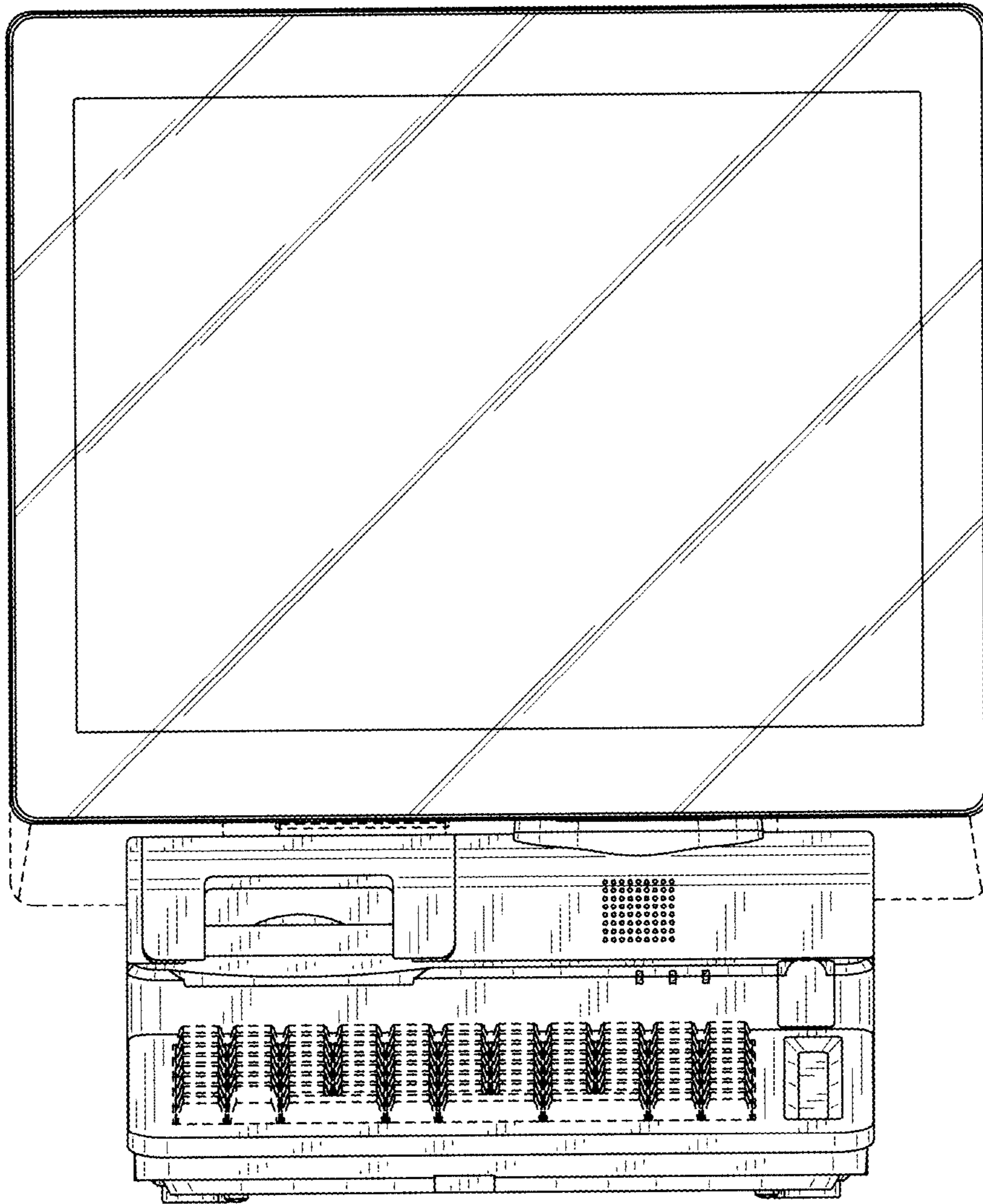


FIG. 9

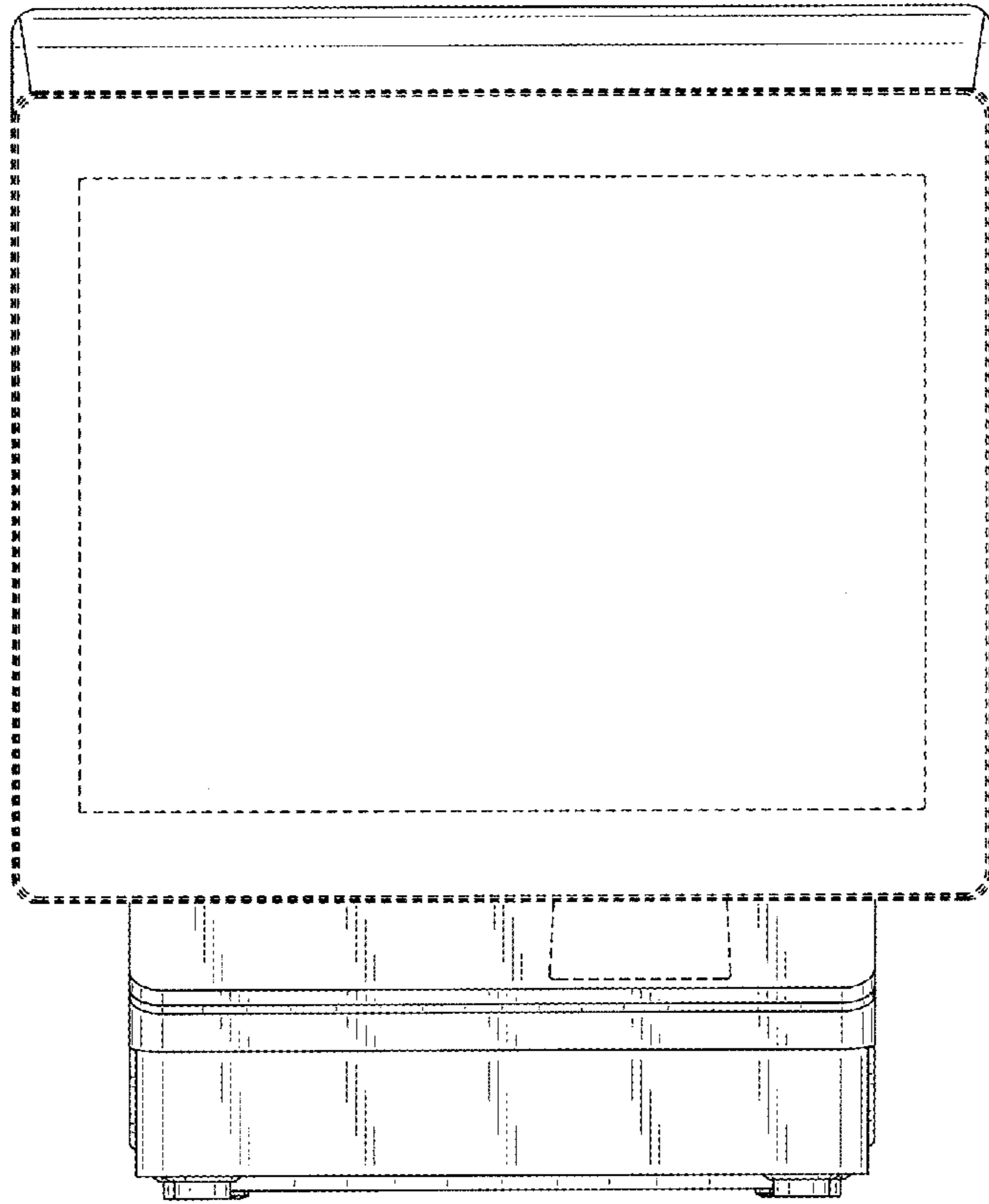


FIG. 10

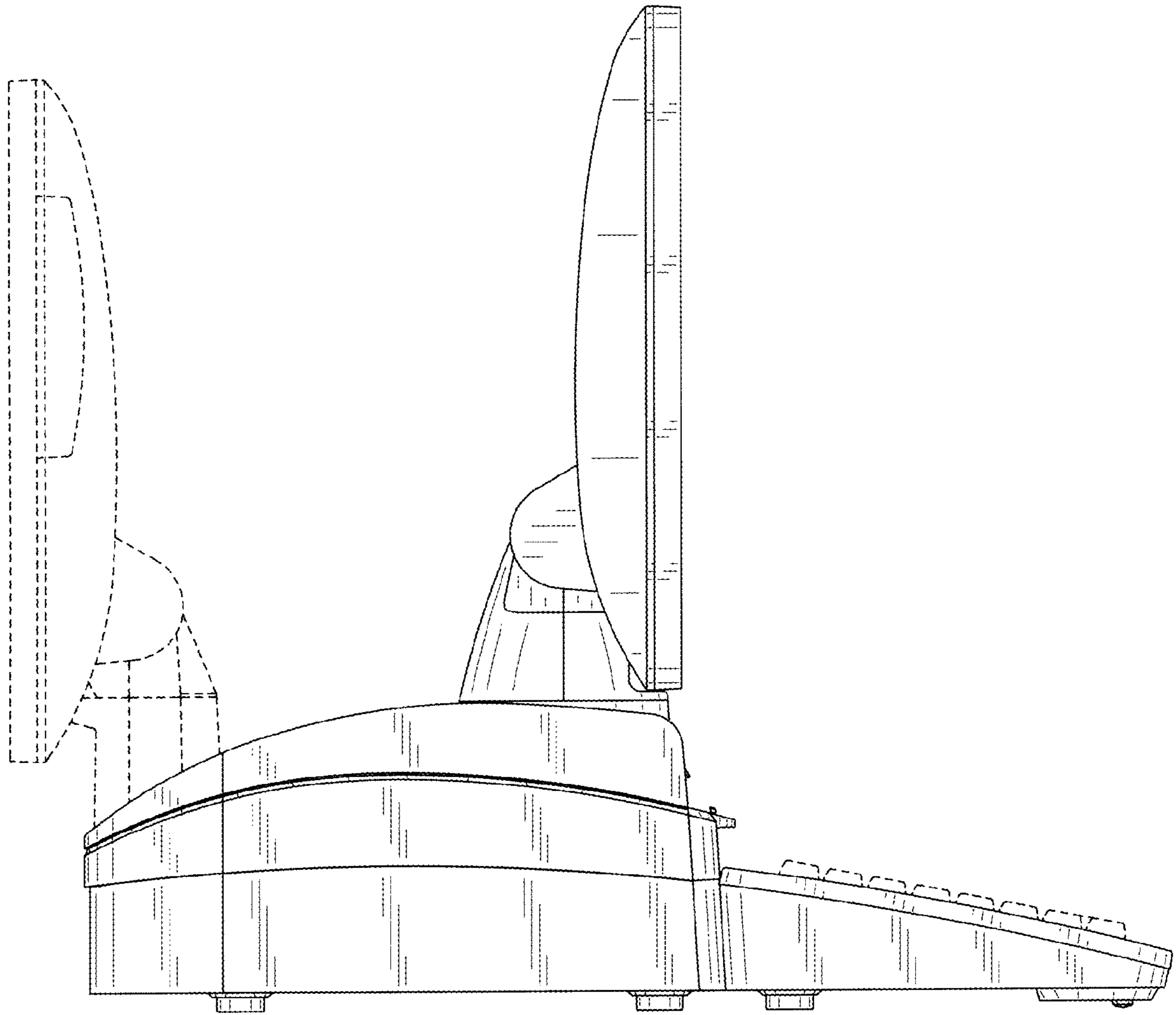


FIG. 11

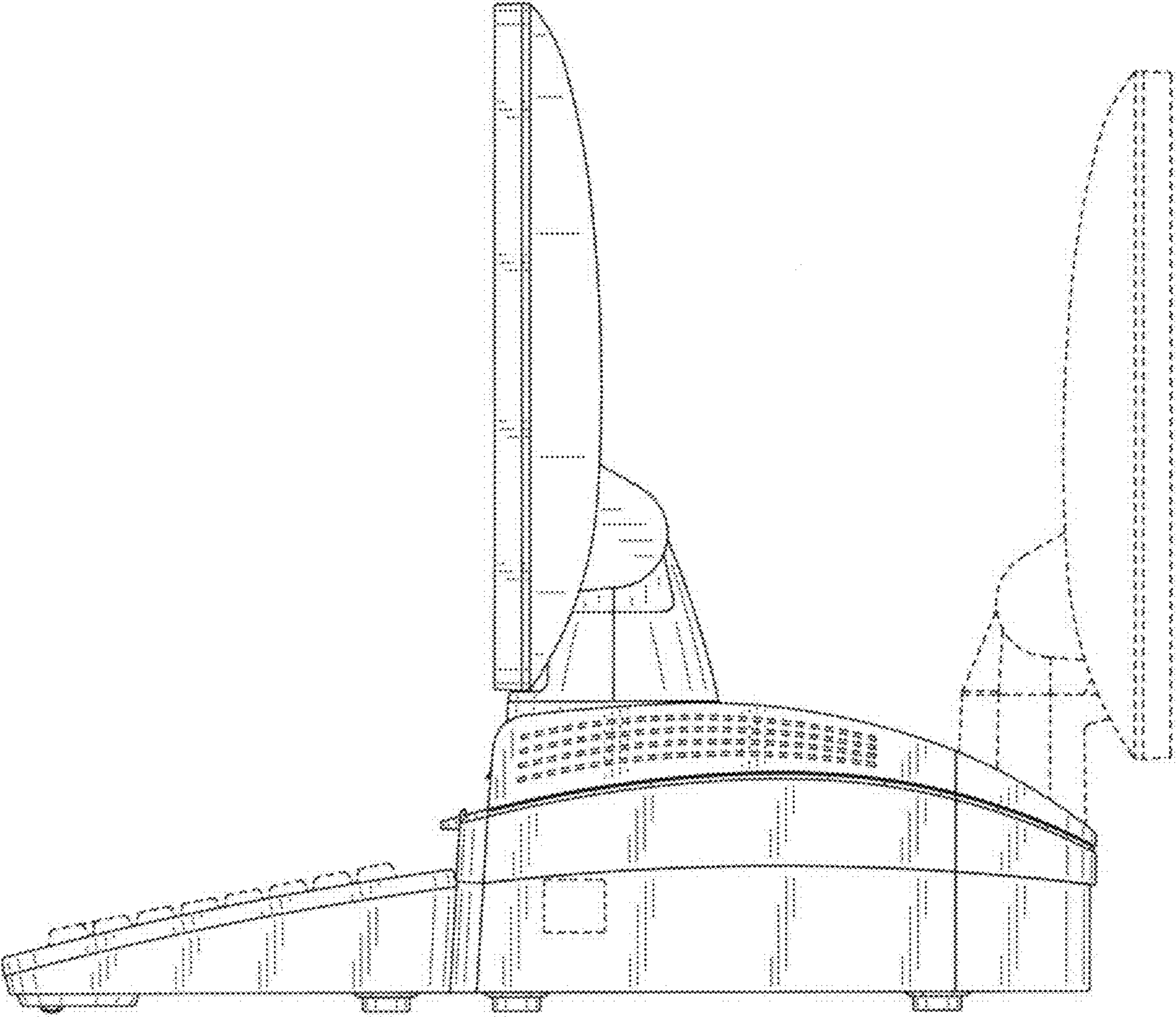


FIG. 12

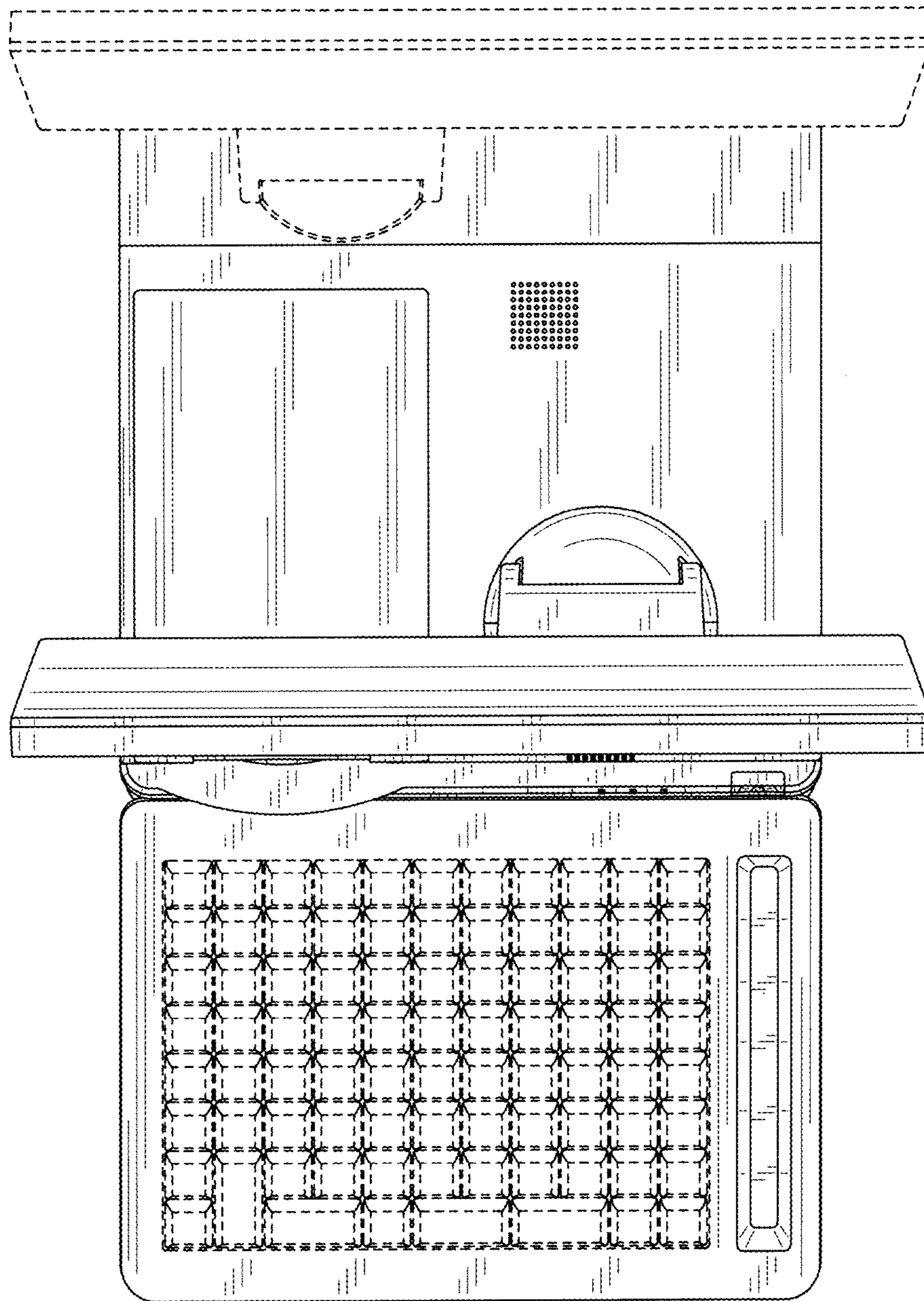


FIG. 13

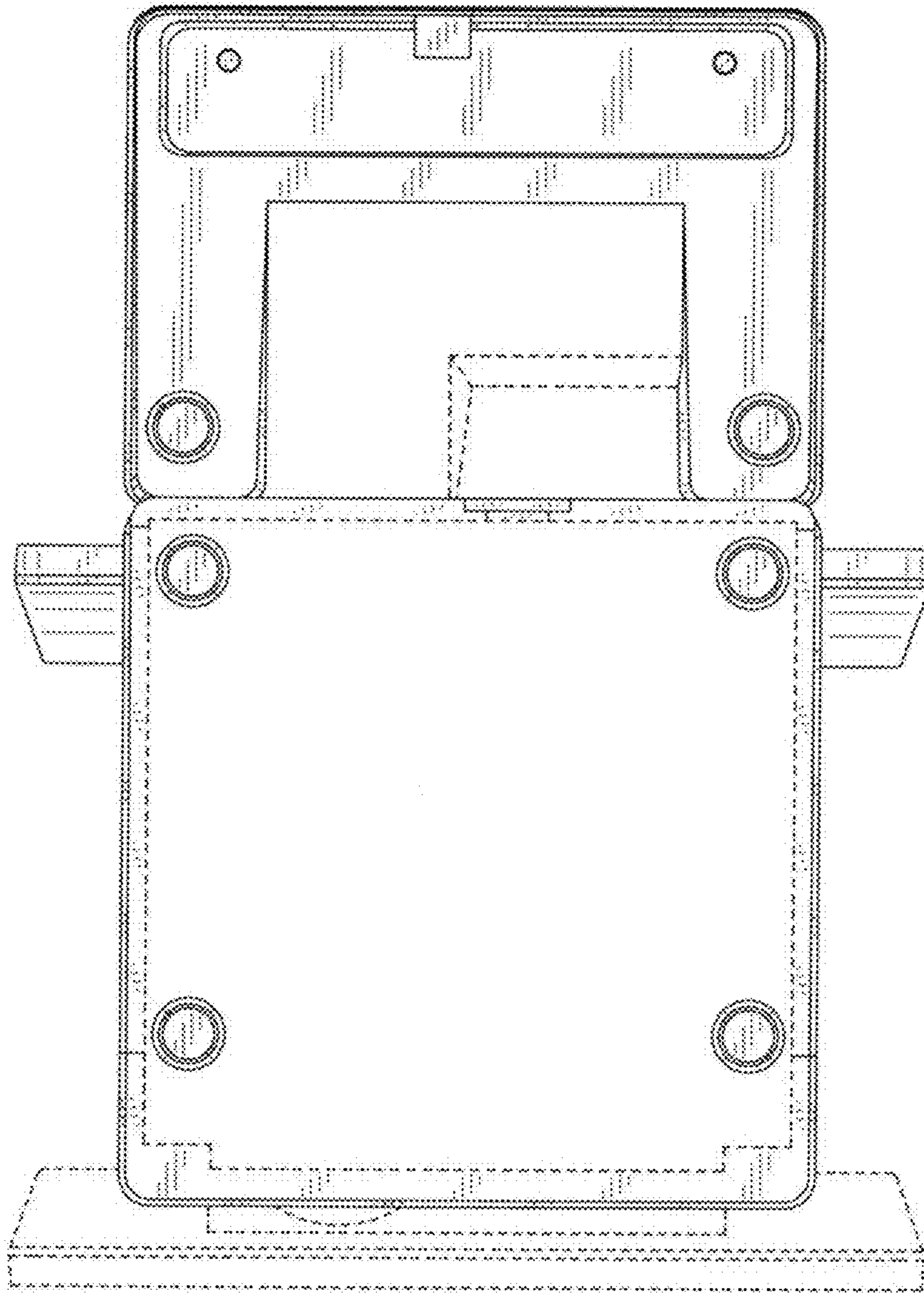


FIG. 14