

US00D894999S

(12) **United States Design Patent**
Clark et al.

(10) **Patent No.:** **US D894,999 S**

(45) **Date of Patent:** **** Sep. 1, 2020**

(54) **TRIPOD HEAD**

(71) Applicants: **Graham Clark**, Lakewood, CO (US);
Thomas Cassaro, Minas Gerais (BR);
Robert Borgen, Denver, CO (US); **Isis Shiffer**, Brooklyn, NY (US)

(72) Inventors: **Graham Clark**, Lakewood, CO (US);
Thomas Cassaro, Minas Gerais (BR);
Robert Borgen, Denver, CO (US); **Isis Shiffer**, Brooklyn, NY (US)

(73) Assignee: **Colorado Tripod Company**,
Lakewood, CO (US)

(**) Term: **15 Years**

(21) Appl. No.: **29/729,745**

(22) Filed: **Mar. 30, 2020**

Related U.S. Application Data

(62) Division of application No. 29/666,493, filed on Oct. 12, 2018, now Pat. No. Des. 883,370.

(51) **LOC (12) Cl.** **16-05**

(52) **U.S. Cl.**

USPC **D16/245**

(58) **Field of Classification Search**

USPC D16/219, 237–250; D8/354, 355, 363,
D8/373, 382–383, 394–396; D14/224,
D14/229, 238, 251, 253, 447, 451, 457

CPC F16M 11/06–10; F16M 11/14; G02B
7/00–002; G03B 17/56; G03B
17/561–566; H04N 5/2253–2254

See application file for complete search history.

(56) **References Cited**

U.S. PATENT DOCUMENTS

D344,970 S * 3/1994 Hanke D16/245
D369,960 S * 5/1996 Rohaly D8/396

D380,375 S * 7/1997 Rohaly D8/394
D552,148 S * 10/2007 Yamakawa D16/203
7,337,685 B2 * 3/2008 Baylis F16M 11/14
73/864.91
D591,755 S * 5/2009 Richter D14/253
8,021,060 B2 * 9/2011 Sudhana F16C 11/106
396/428
8,061,920 B2 * 11/2011 Wimberley F16M 11/14
403/90
8,282,055 B2 * 10/2012 Burklin F16M 11/16
248/187.1
8,848,101 B2 * 9/2014 Zarpellon F16M 11/12
348/373
8,876,072 B2 * 11/2014 Hsu F16M 13/022
248/205.5
8,894,316 B2 * 11/2014 Kallas F16M 11/14
403/90
D719,146 S * 12/2014 Herbst D14/253
D722,635 S * 2/2015 Richardson D16/203

(Continued)

Primary Examiner — Vy N Koenig

(74) *Attorney, Agent, or Firm* — Christopher Piling;
Johan Eide; My Patent Guys

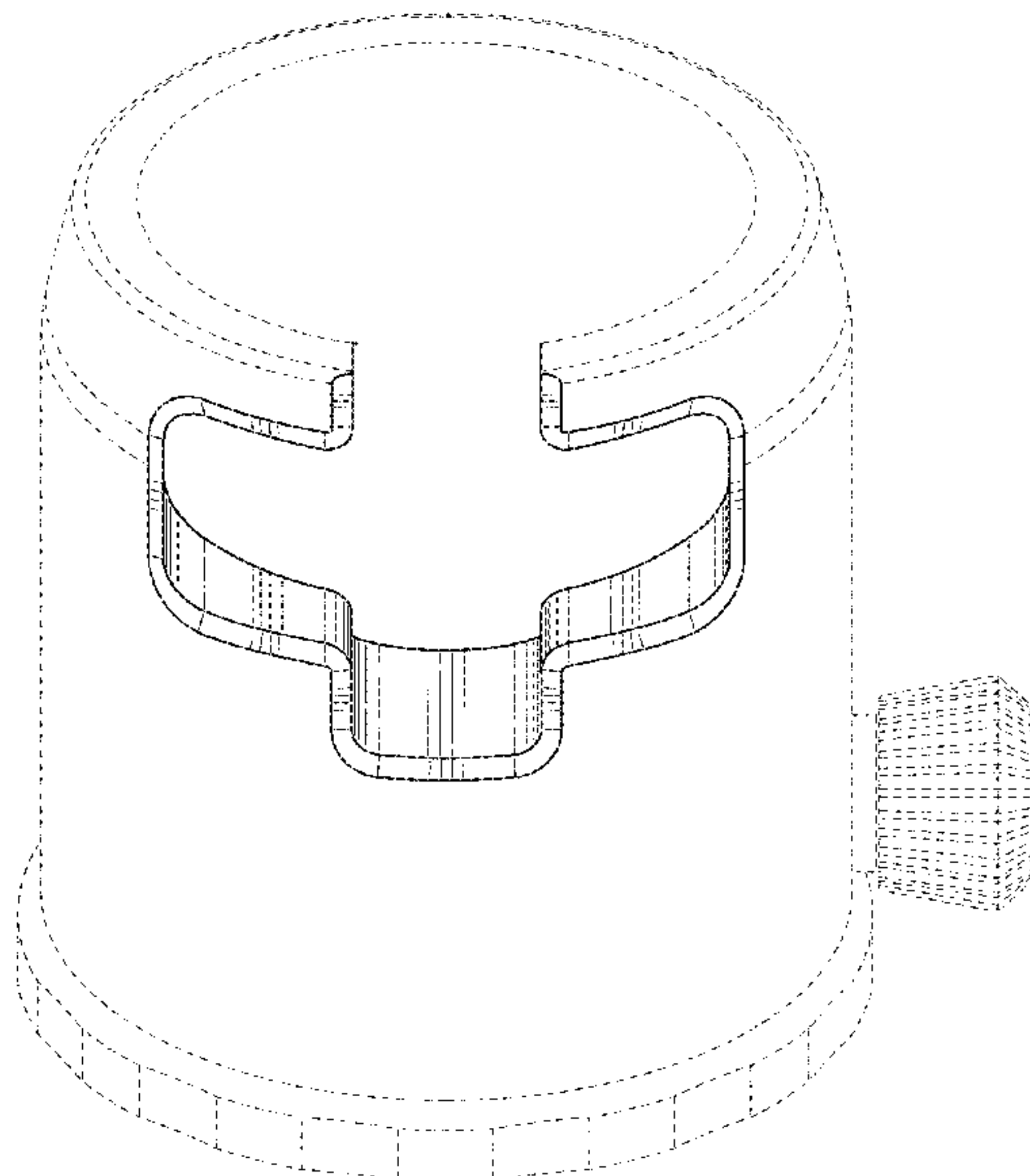
(57) **CLAIM**

The ornamental design for a tripod head, as shown and described.

DESCRIPTION

FIG. 1 is a front perspective view of a tripod head in accordance with the present invention;
FIG. 2 is a front view thereof;
FIG. 3 is a rear view thereof;
FIG. 4 is a left side view thereof;
FIG. 5 is a right side view thereof;
FIG. 6 is a top view thereof; and,
FIG. 7 is a front perspective view of the tripod head of FIG. 1 showing a ball joint inside the tripod head cavity.
The broken lines shown in the drawings depict portions of the tripod head that form no part of the claimed design.

1 Claim, 7 Drawing Sheets



(56)

References Cited

U.S. PATENT DOCUMENTS

9,052,574	B1 *	6/2015	Johnson, Sr.	F16M 11/105
D746,352	S *	12/2015	Ryterski	D16/219
D749,662	S *	2/2016	Chen	D16/219
9,372,383	B2 *	6/2016	Johnson, Sr.	F16M 11/28
D795,820	S *	8/2017	Wengreen	D13/155
D831,667	S *	10/2018	Burmester	D14/447
D832,273	S *	10/2018	Burmester	D14/447
D834,105	S *	11/2018	Bilodeau	D21/484
10,422,469	B2 *	9/2019	Clark	F16M 11/041
D864,282	S *	10/2019	Liu	D16/244
10,536,616	B2 *	1/2020	Fukuzawa	H02N 2/163
D883,370	S *	5/2020	Clark	D16/245
2006/0175482	A1 *	8/2006	Johnson	F16M 11/14 248/176.1

* cited by examiner

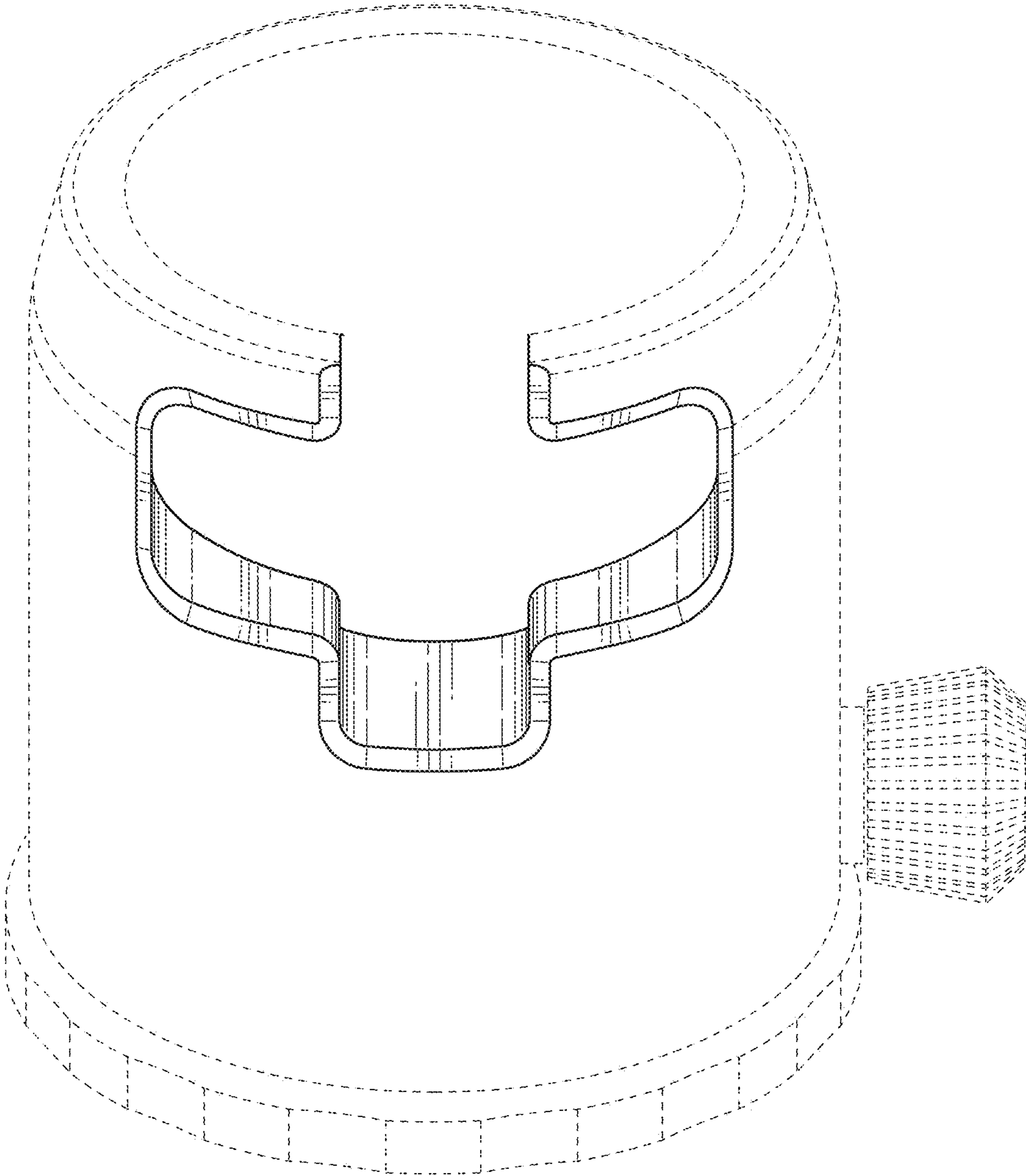


FIG. 1

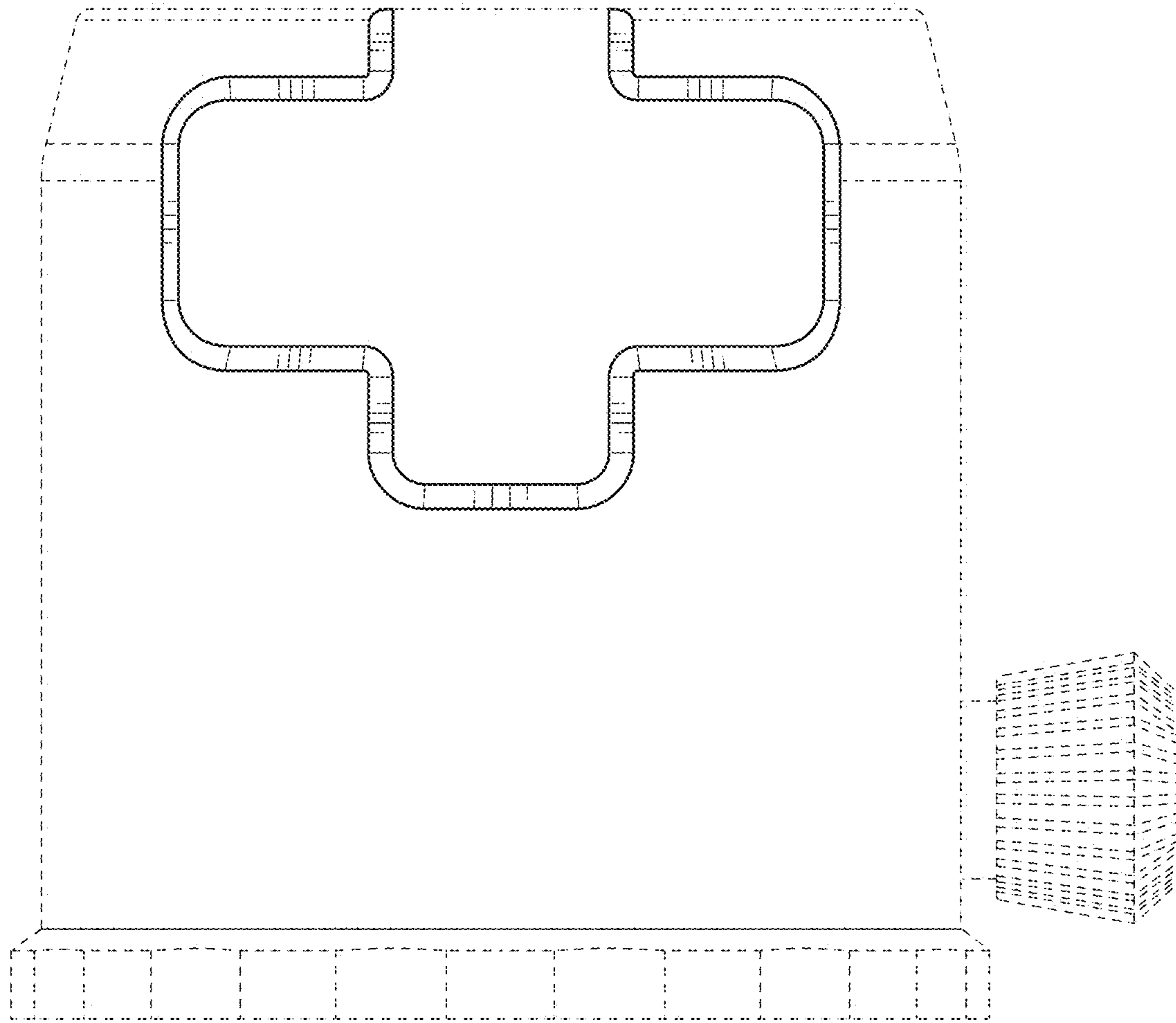


FIG. 2

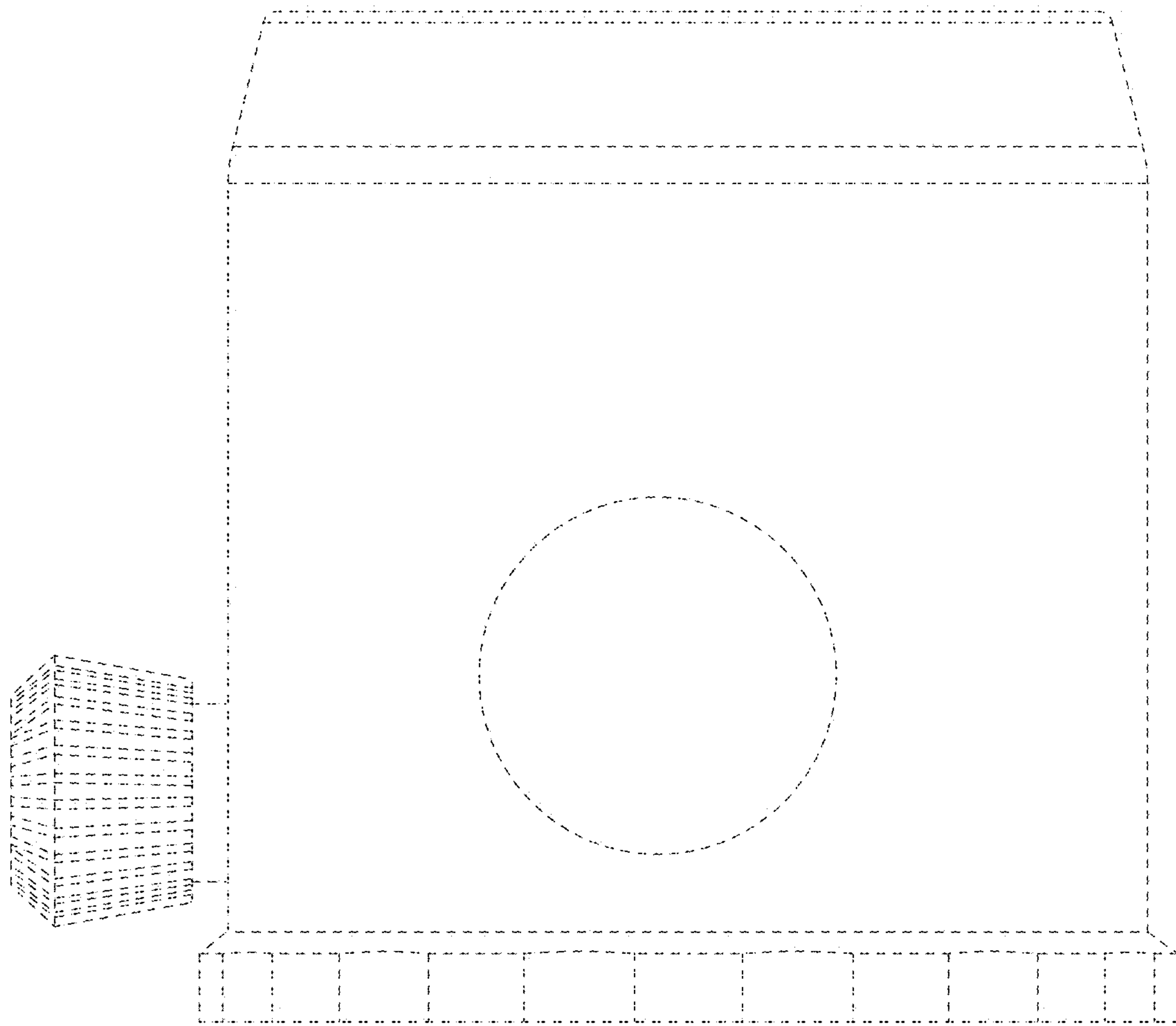


FIG. 3

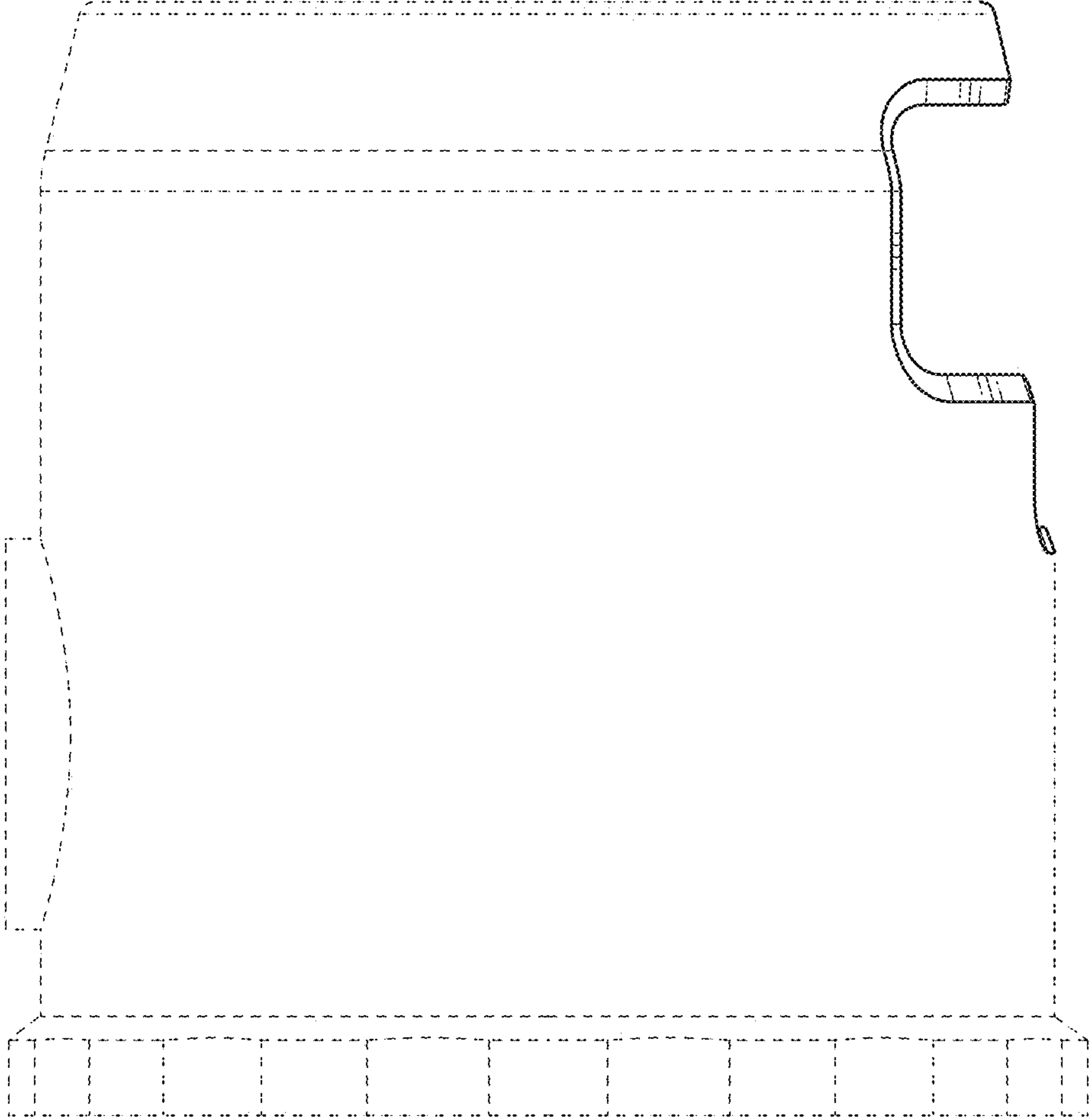


FIG. 4

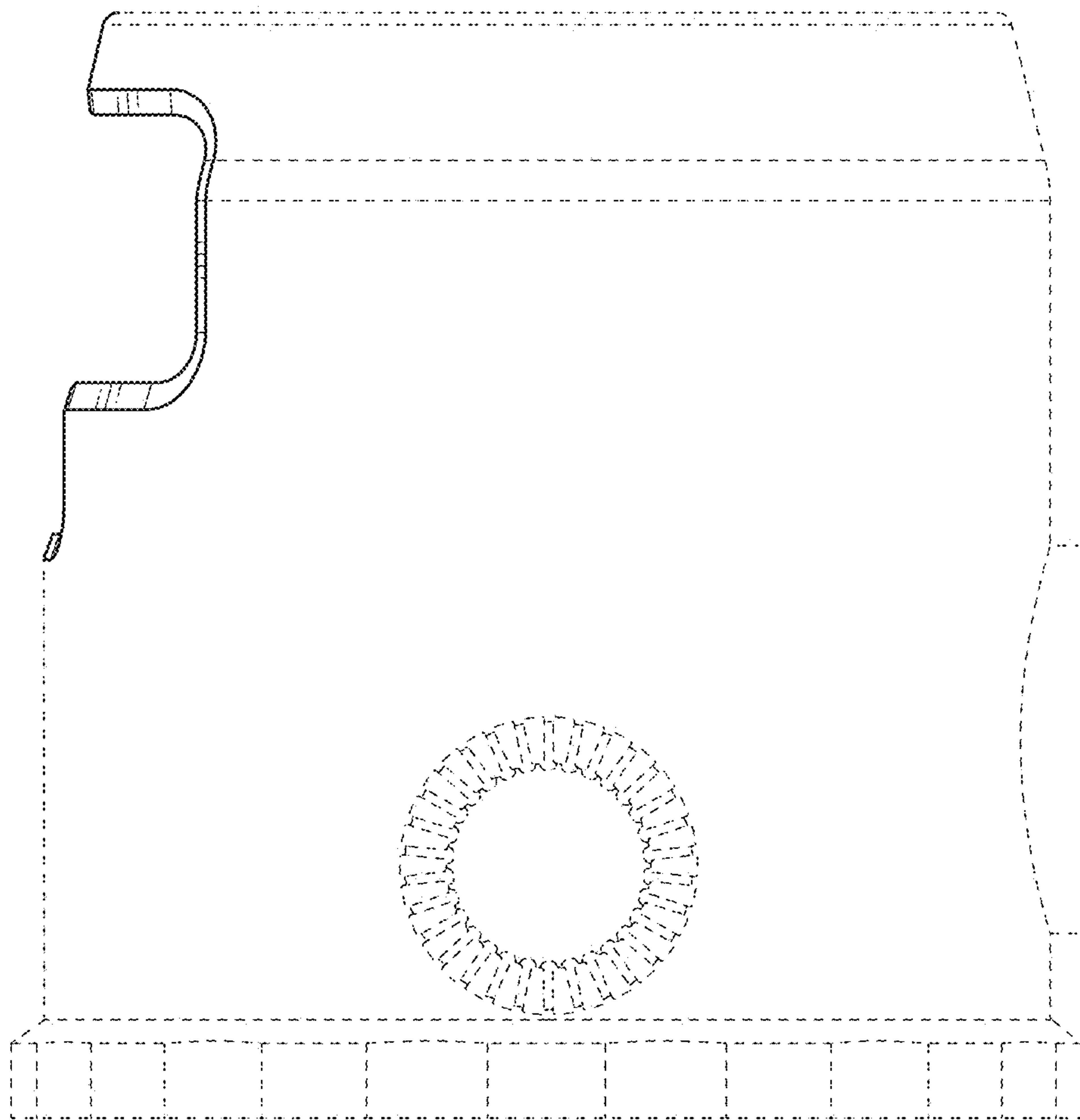


FIG. 5

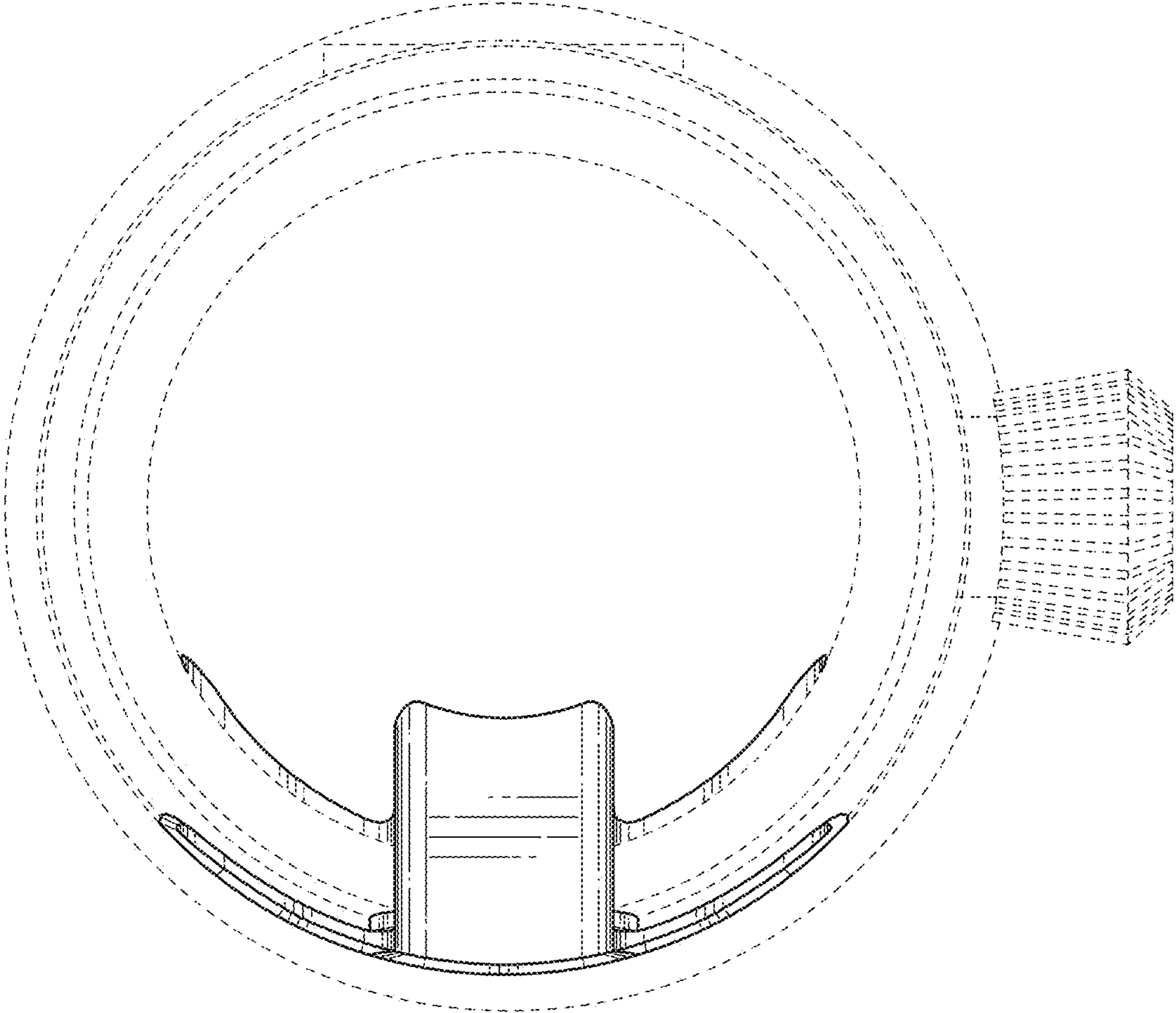


FIG. 6

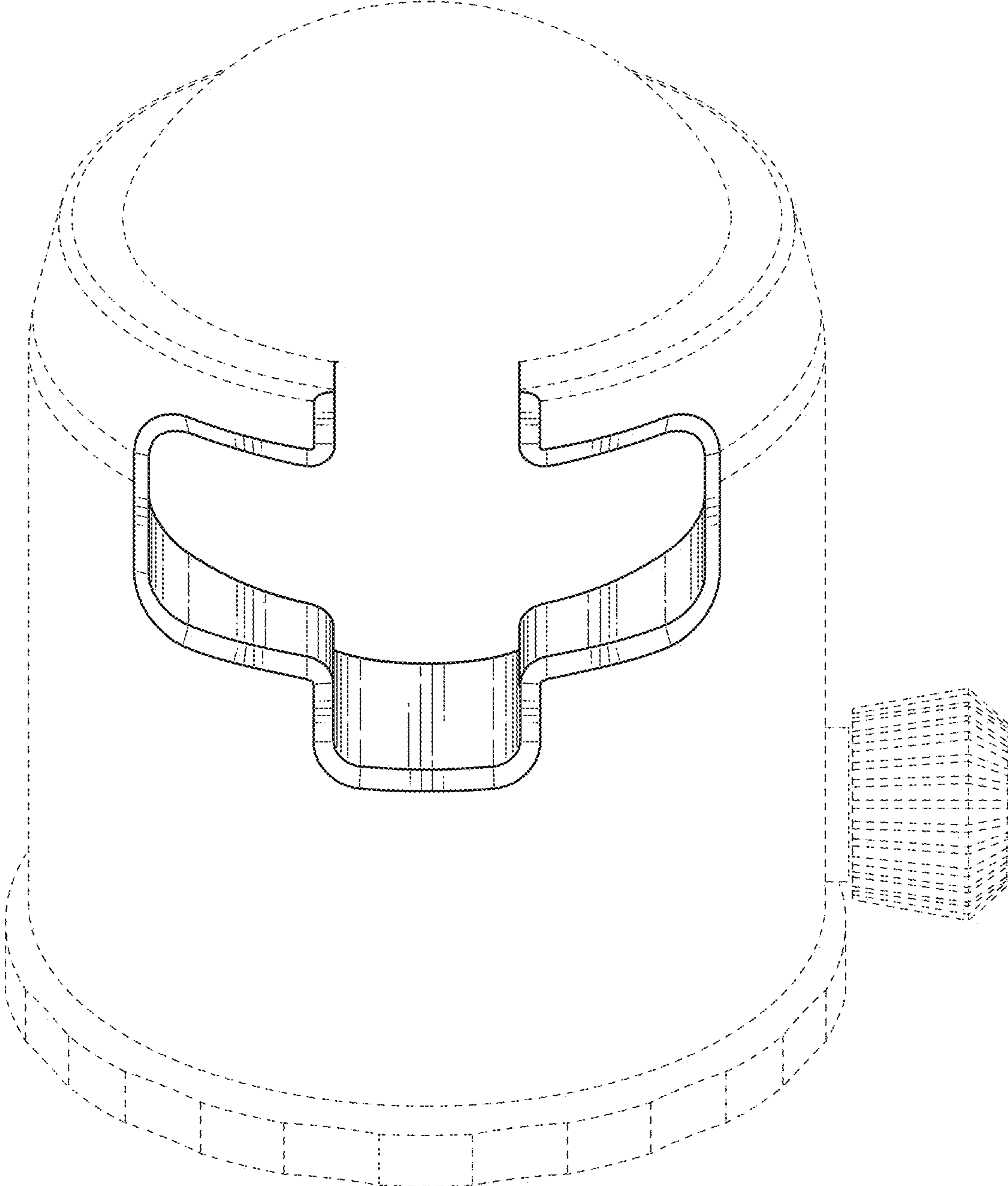


FIG. 7