



US00D894995S

(12) **United States Design Patent**
Fujimoto

(10) **Patent No.:** **US D894,995 S**

(45) **Date of Patent:** **** Sep. 1, 2020**

(54) **CAMERA**

(71) Applicant: **FUJIFILM Corporation**, Tokyo (JP)

(72) Inventor: **Shinichi Fujimoto**, Tokyo (JP)

(73) Assignee: **FUJIFILM Corporation**, Minato-Ku,
Tokyo (JP)

(**) Term: **15 Years**

(21) Appl. No.: **29/613,000**

(22) Filed: **Aug. 7, 2017**

(30) **Foreign Application Priority Data**

Feb. 10, 2017 (JP) 2017-002489

(51) **LOC (12) Cl.** **16-05**

(52) **U.S. Cl.**
USPC **D16/219**

(58) **Field of Classification Search**

USPC D16/200, 202–206, 208, 218, 219, 242;
348/164, 347, 373–376; 396/535,
396/539–541; 250/330, 332

CPC G03B 15/03; G03B 17/02; G03B 17/04;
G03B 17/56; G03B 19/04; H04N 5/2251;
H04N 5/2252; H04N 5/2253; H04N
5/2254; H04N 2101/00; H04N 5/33;
H04N 5/332

See application file for complete search history.

(56) **References Cited**

U.S. PATENT DOCUMENTS

D692,939 S *	11/2013	Huang	D16/218
D697,122 S *	1/2014	Ikegame	D16/218
D709,543 S *	7/2014	Isozaki	D16/218
D733,780 S *	7/2015	Chen	D16/202
D744,572 S *	12/2015	Tabuchi	D16/218
D754,234 S *	4/2016	Lee	D16/218
D754,769 S *	4/2016	Patulski	D16/202

D755,274 S *	5/2016	Lee	D16/218
D764,559 S *	8/2016	Luo	D16/202
D779,577 S *	2/2017	Ikegame	D16/211
D781,362 S *	3/2017	Ikegame	D16/211

(Continued)

Primary Examiner — Ramzi S Almatrahi

(74) *Attorney, Agent, or Firm* — Sughrue Mion, PLLC

(57) **CLAIM**

The ornamental design for a camera, as shown and described.

DESCRIPTION

FIG. 1 is a top, rear and right side perspective view of a camera showing my new design;

FIG. 2 is a top, rear and left side perspective view thereof;

FIG. 3 is a front elevational view thereof;

FIG. 4 is a rear elevational view thereof;

FIG. 5 is a top plan view thereof;

FIG. 6 is a bottom plan view thereof;

FIG. 7 is a left side elevational view thereof;

FIG. 8 is a right side elevational view thereof;

FIG. 9 is a cross-sectional view thereof taken along lines IX-IX of FIG. 4, in which an internal structure thereof is not shown;

FIG. 10 is a cross-sectional view thereof taken along lines X-X of FIG. 4, in which an internal structure thereof is not shown;

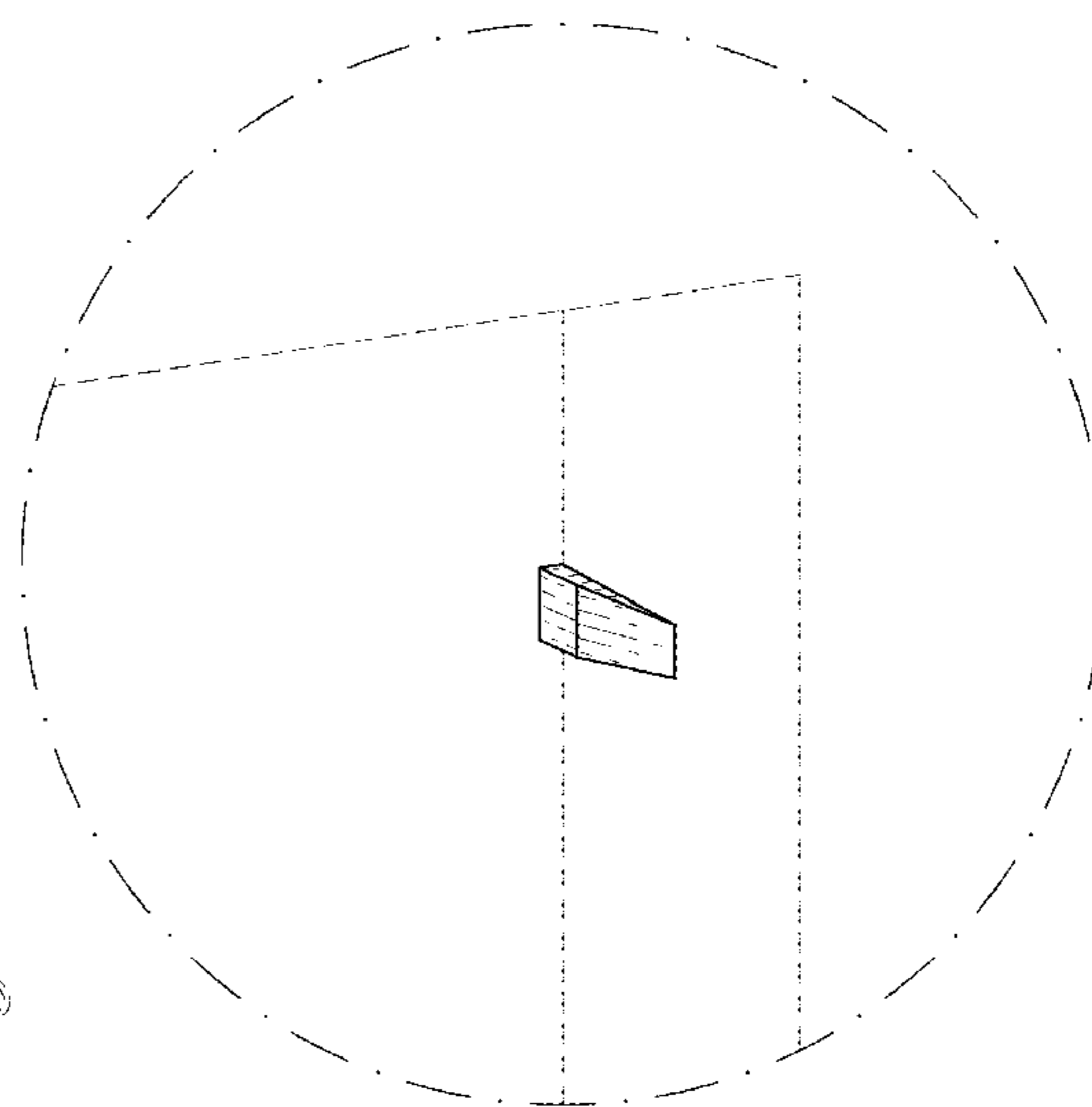
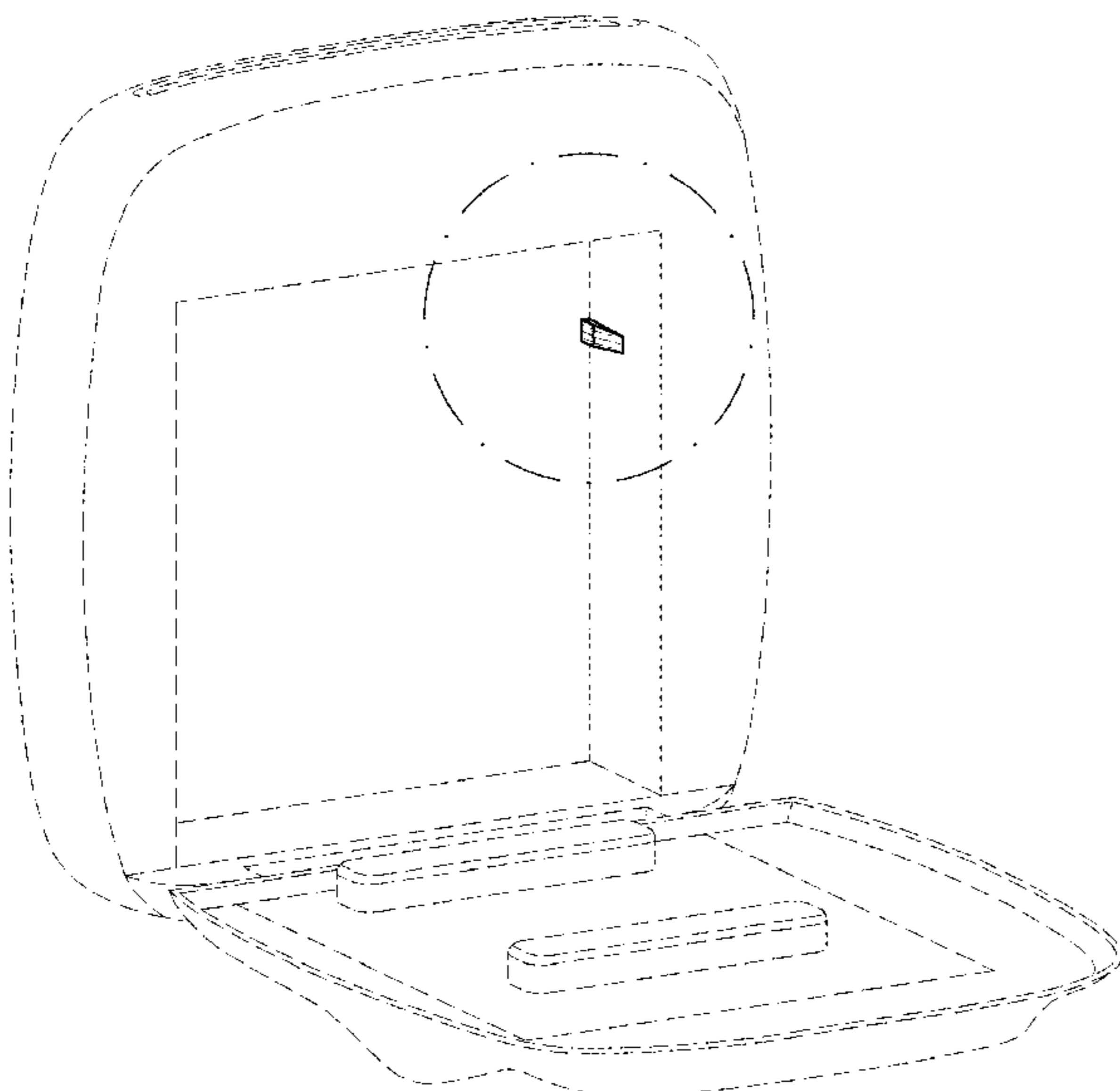
FIG. 11 is a cross-sectional view thereof taken along lines XI-XI of FIG. 4, in which an internal structure thereof is not shown;

FIG. 12 is an enlarged perspective view of a portion defined by dash-dot broken lines of FIG. 1; and,

FIG. 13 is an enlarged perspective view of a portion defined by dash-dot broken lines of FIG. 2.

The broken lines depict portions of the camera in which the design is embodied that form no part of the claimed design. The dash-dot broken lines in FIGS. 1, 2, 12 and 13 show the boundary lines of the partially enlarged perspective view and form no part of the claimed design.

1 Claim, 13 Drawing Sheets



(56)

References Cited

U.S. PATENT DOCUMENTS

D781,363 S * 3/2017 Ikegame D16/211
D792,497 S * 7/2017 Oliveira D16/208

* cited by examiner

FIG. 1

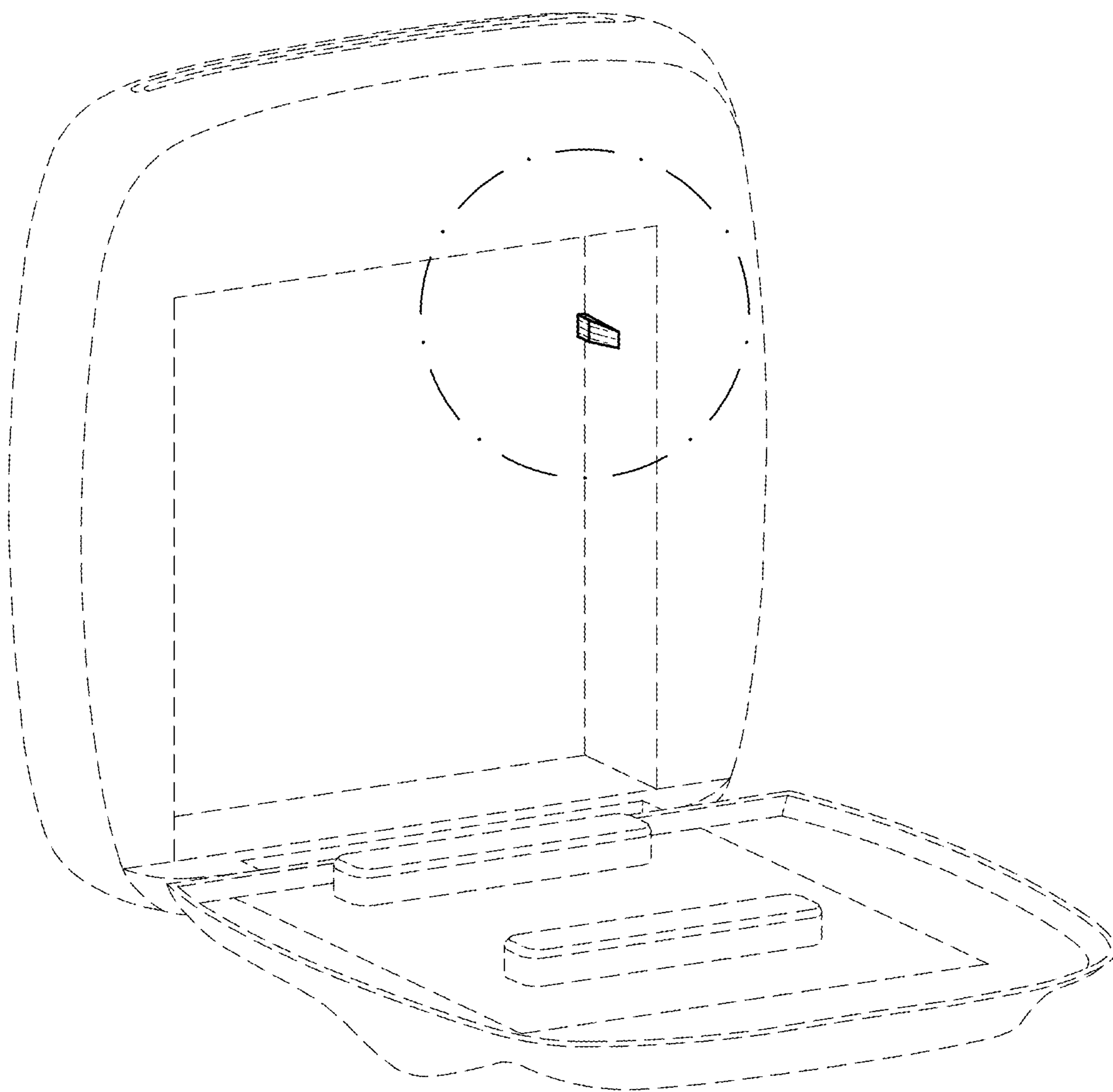


FIG.2

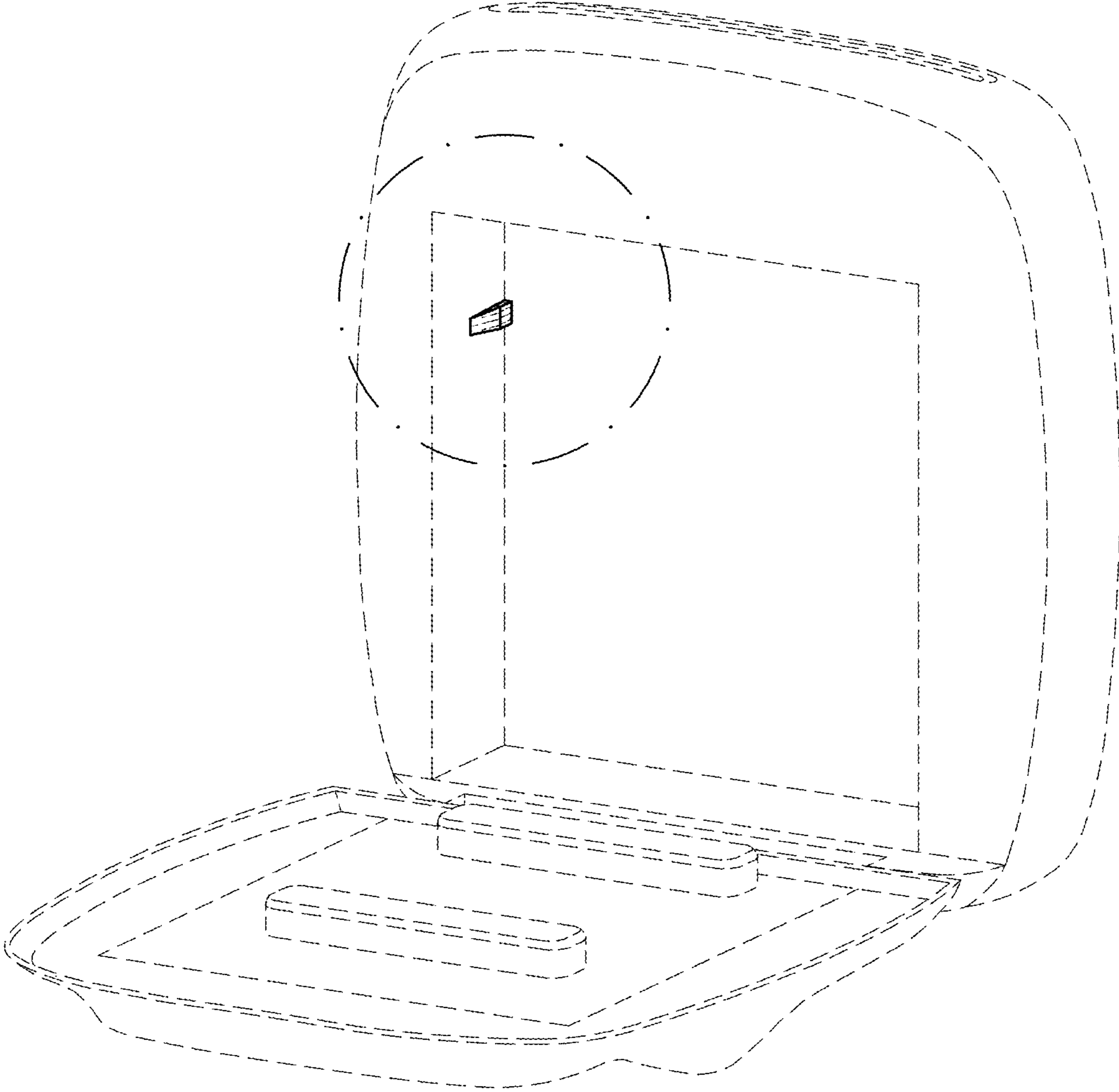


FIG. 3

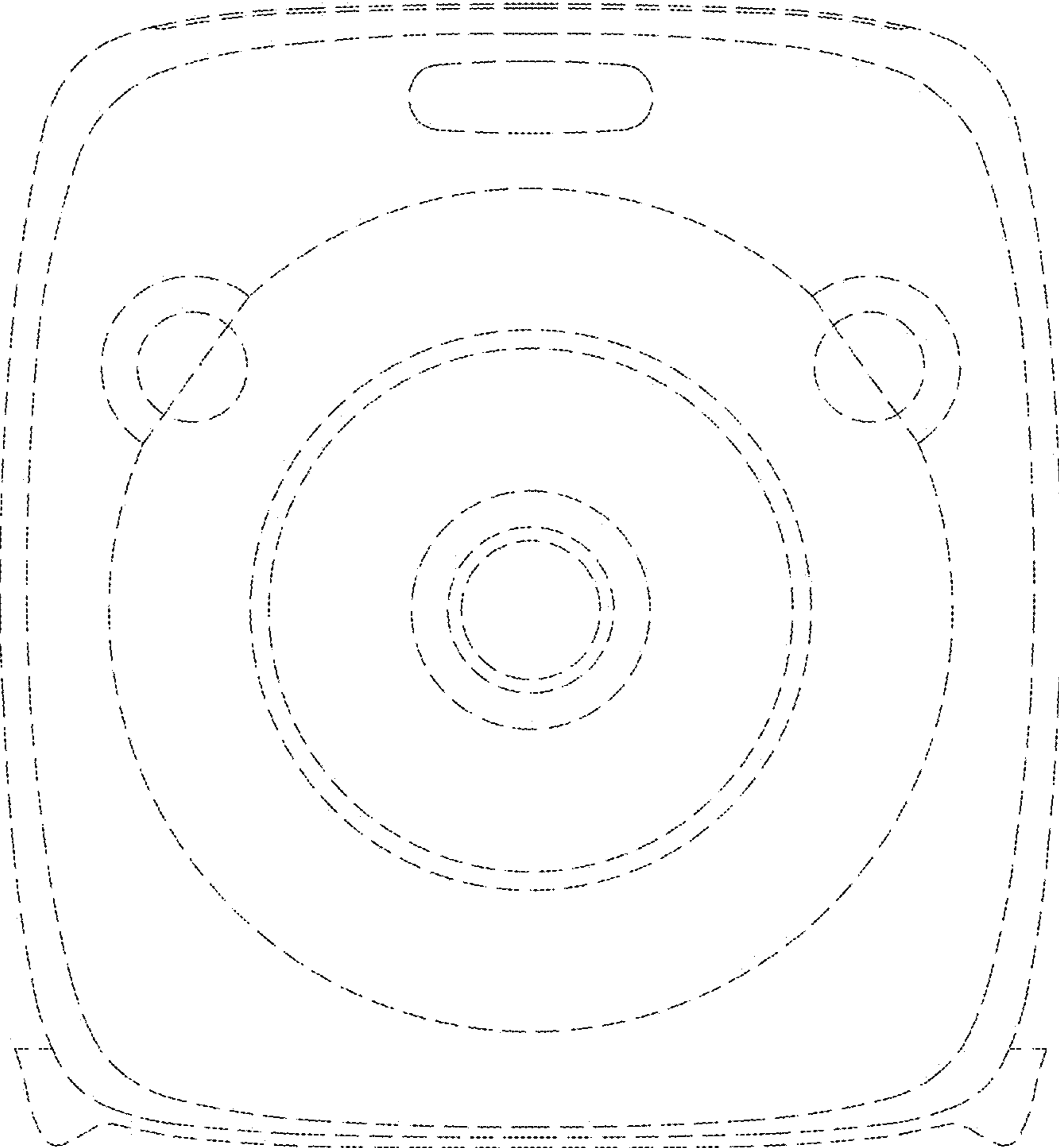


FIG. 4

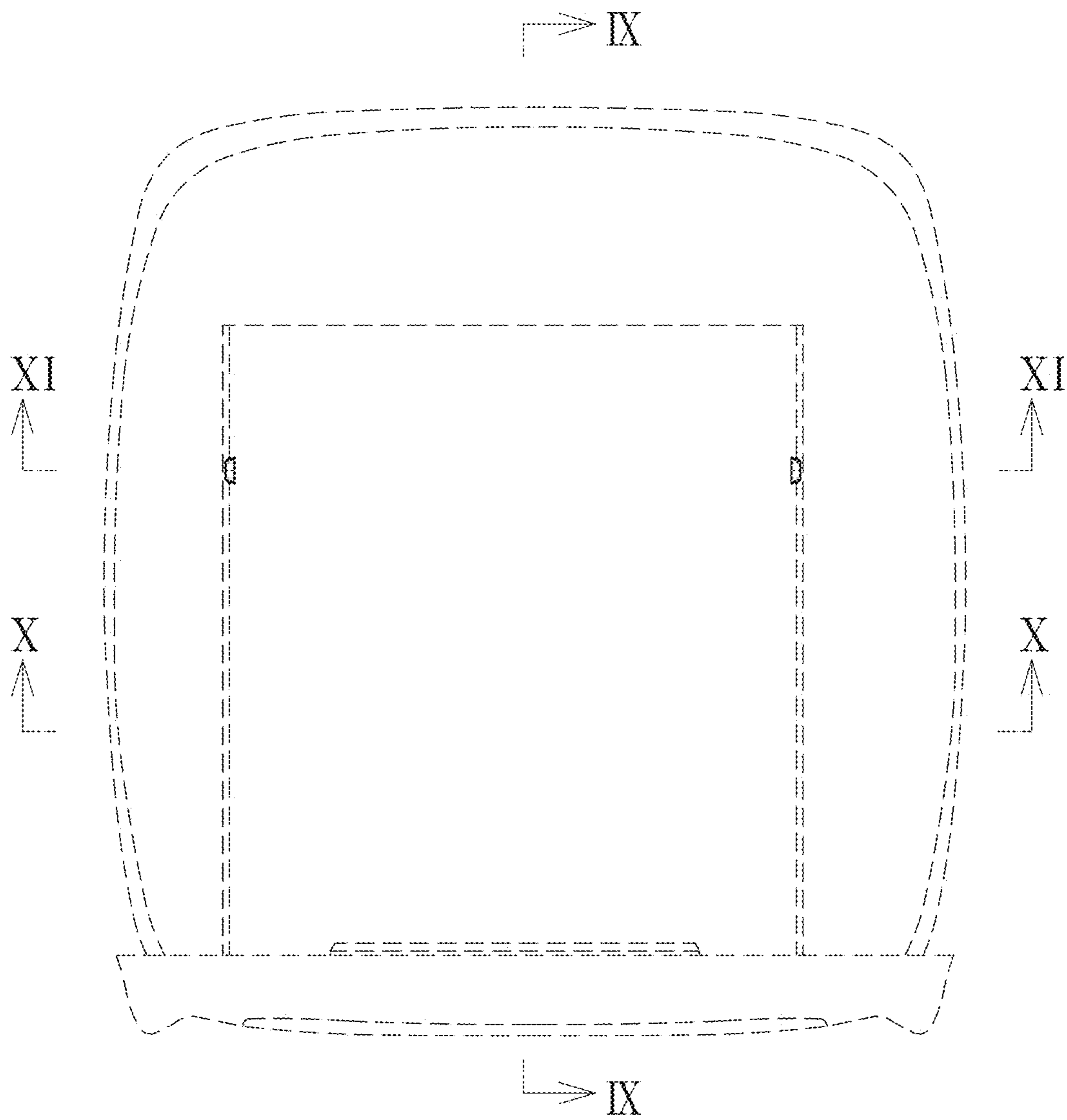


FIG. 5

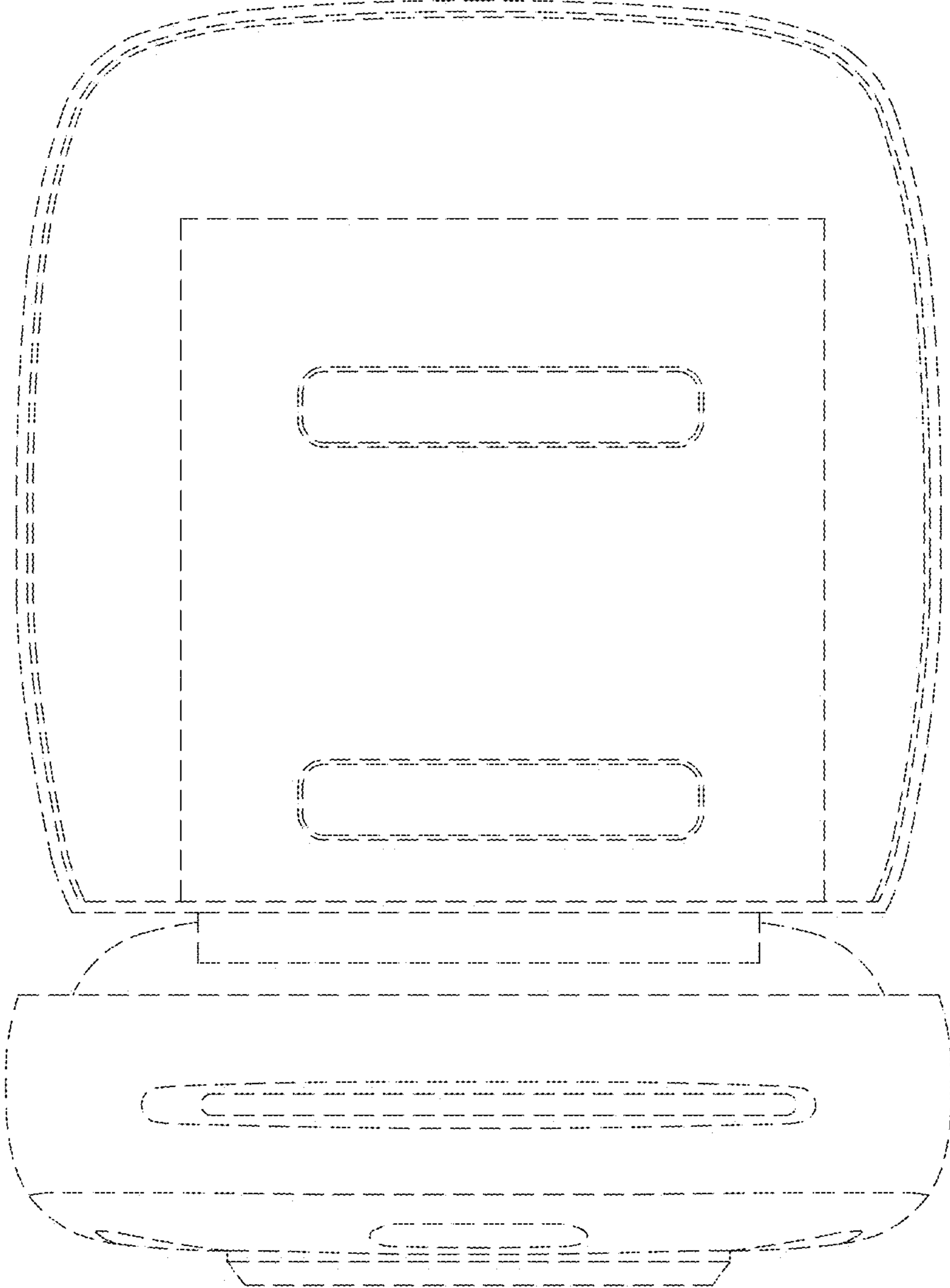


FIG.6

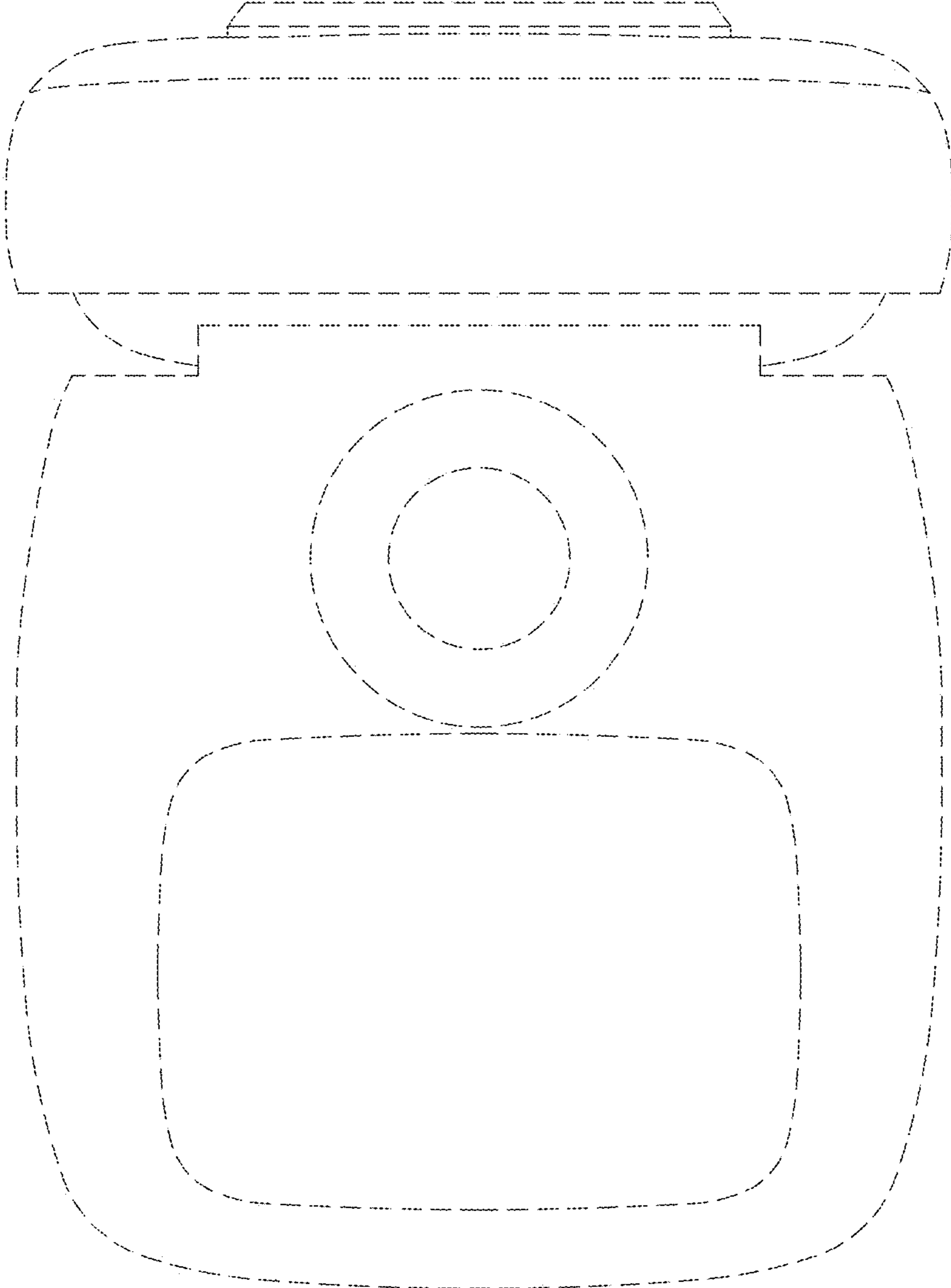


FIG. 7

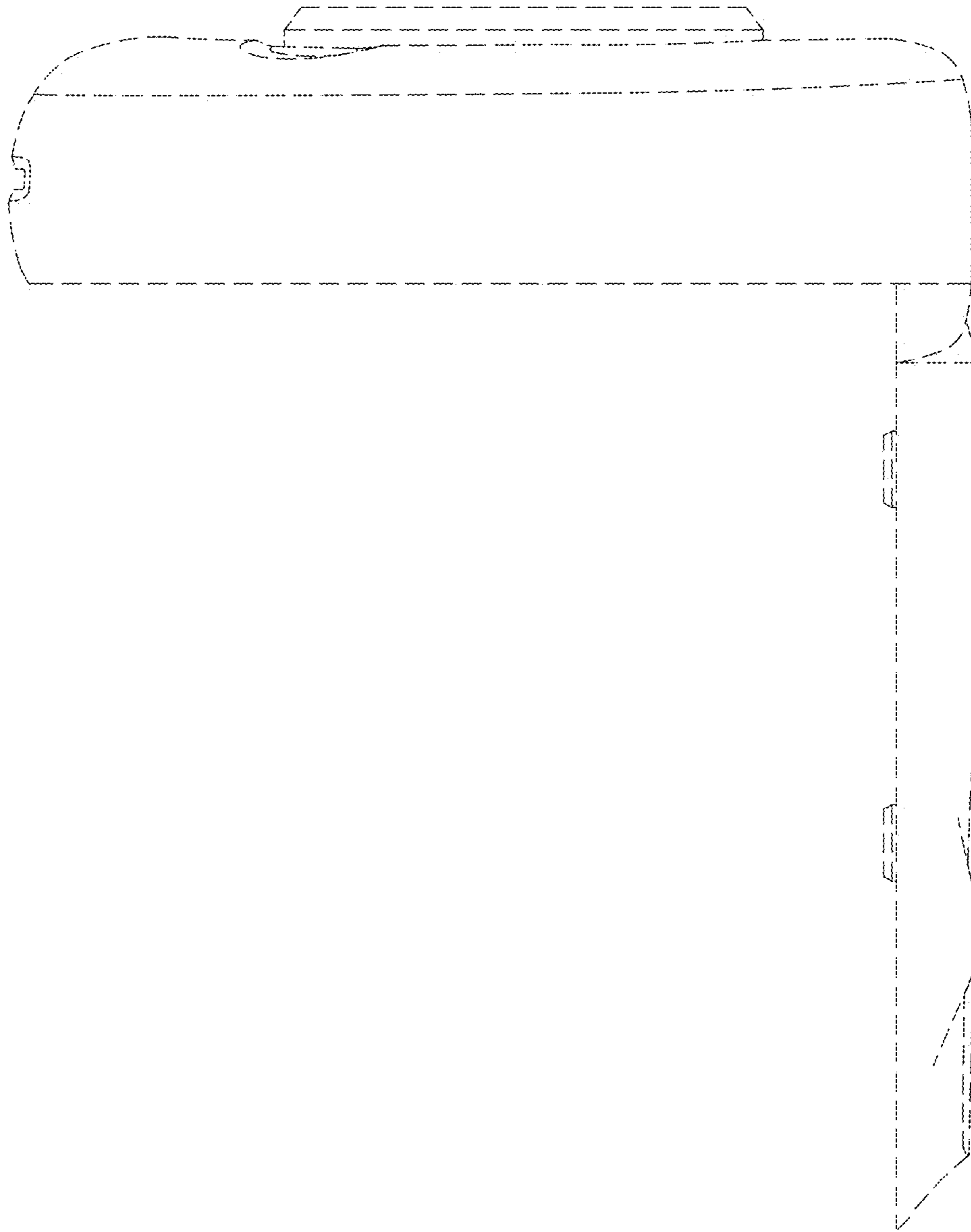


FIG. 8

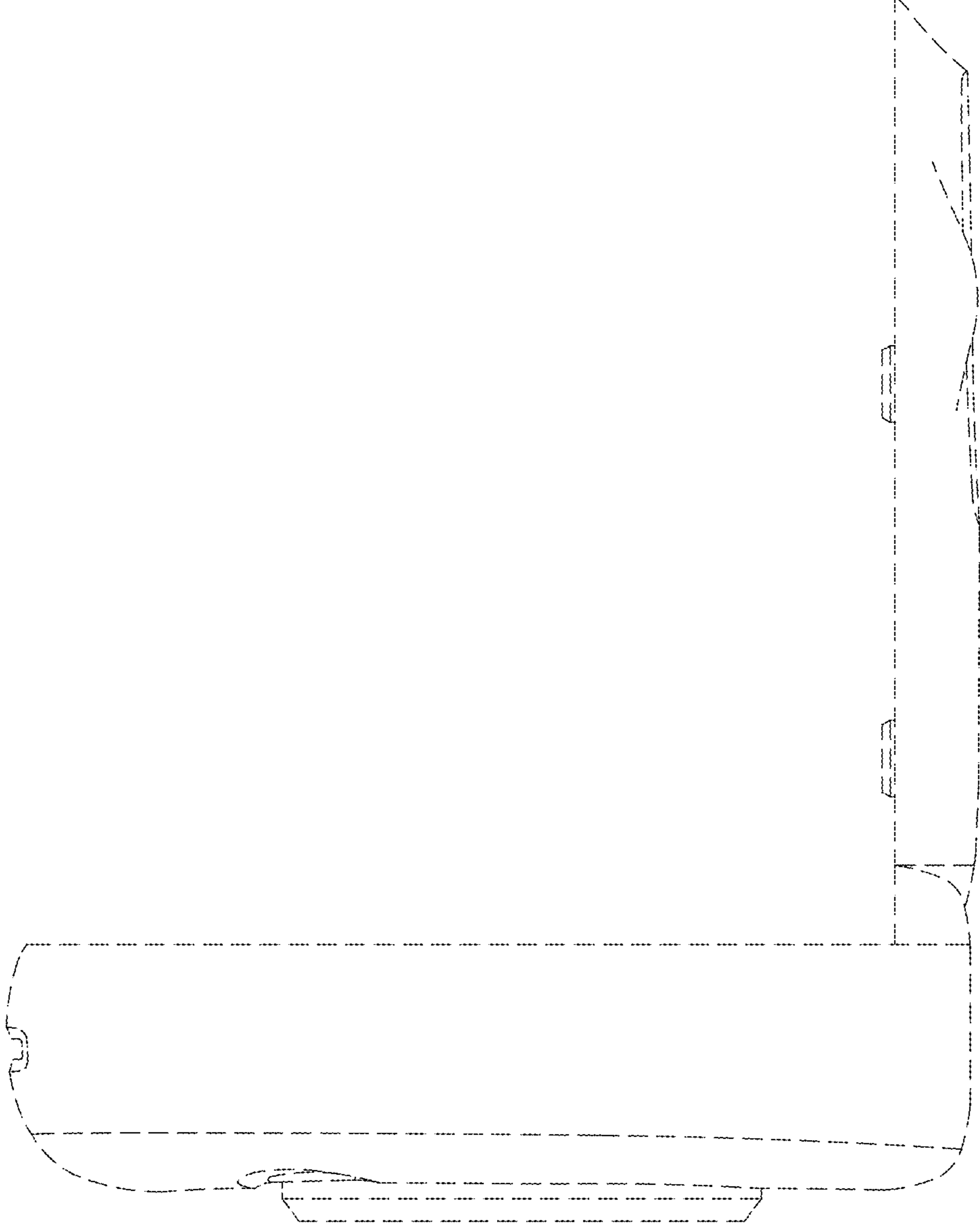


FIG. 9

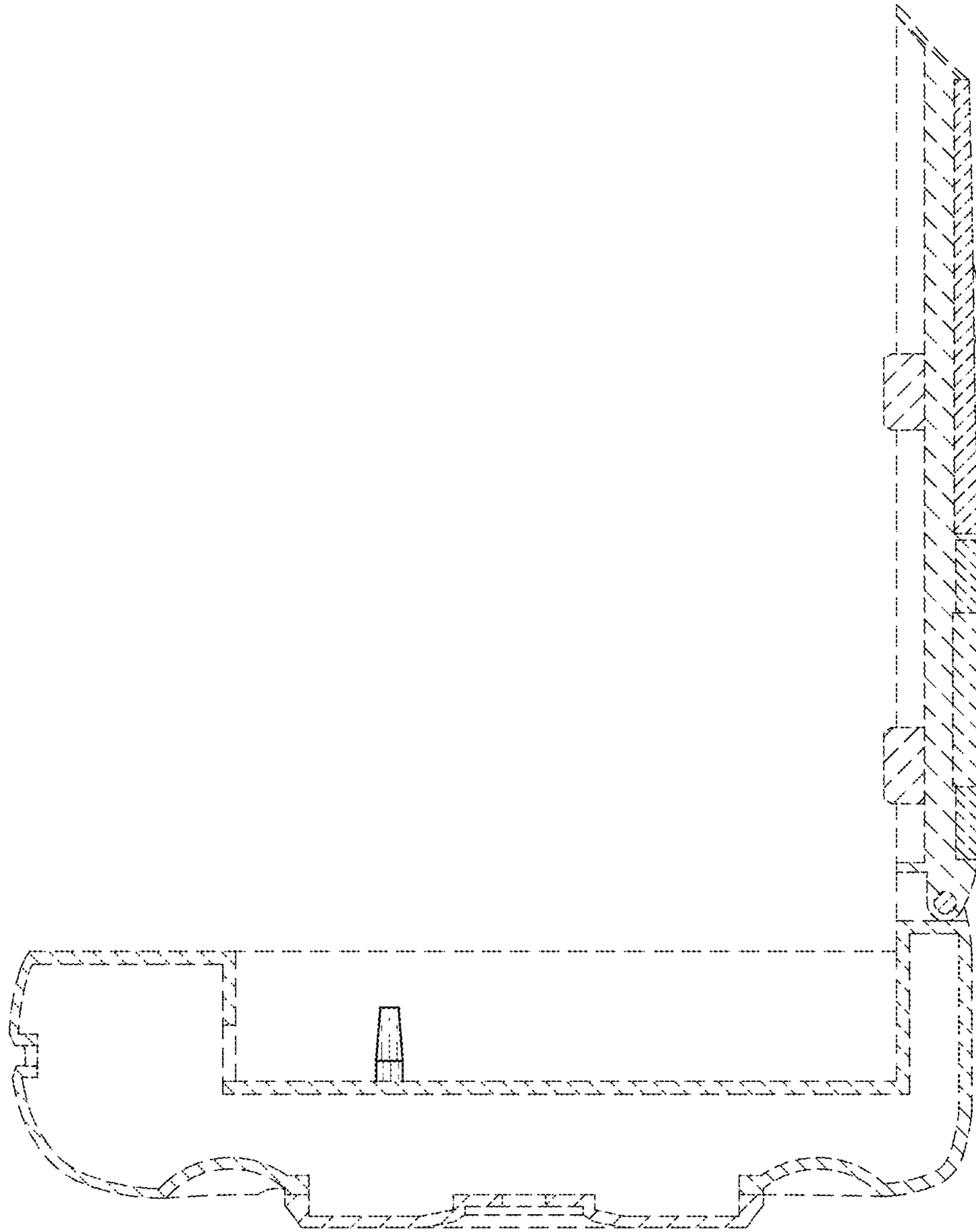


FIG.10

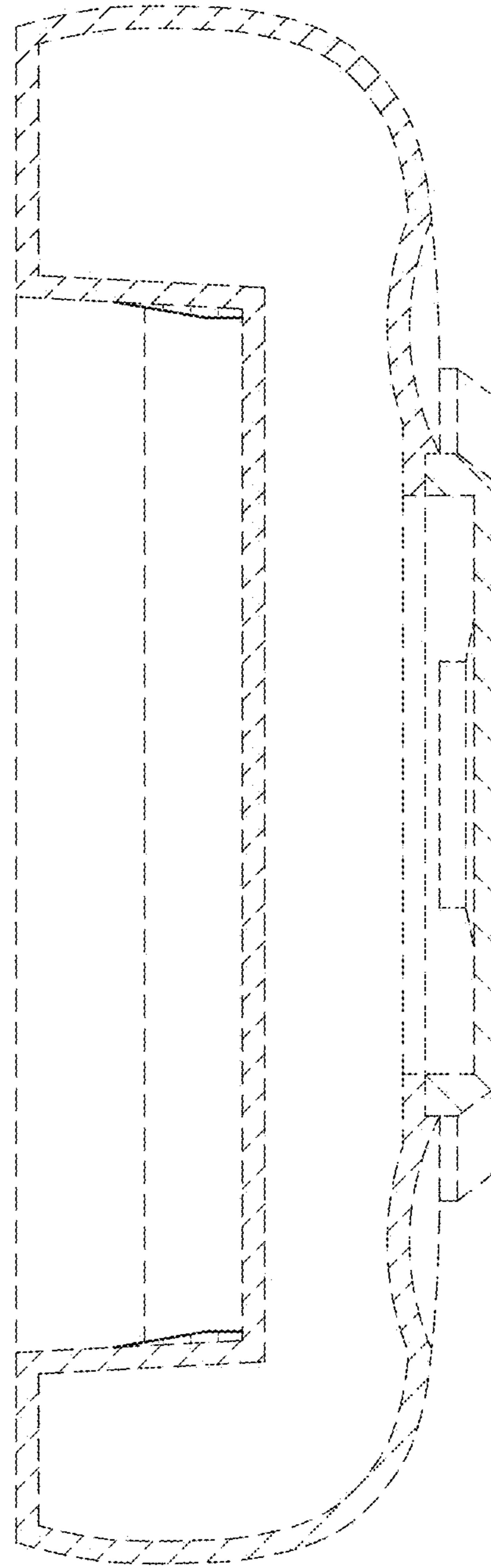


FIG.11

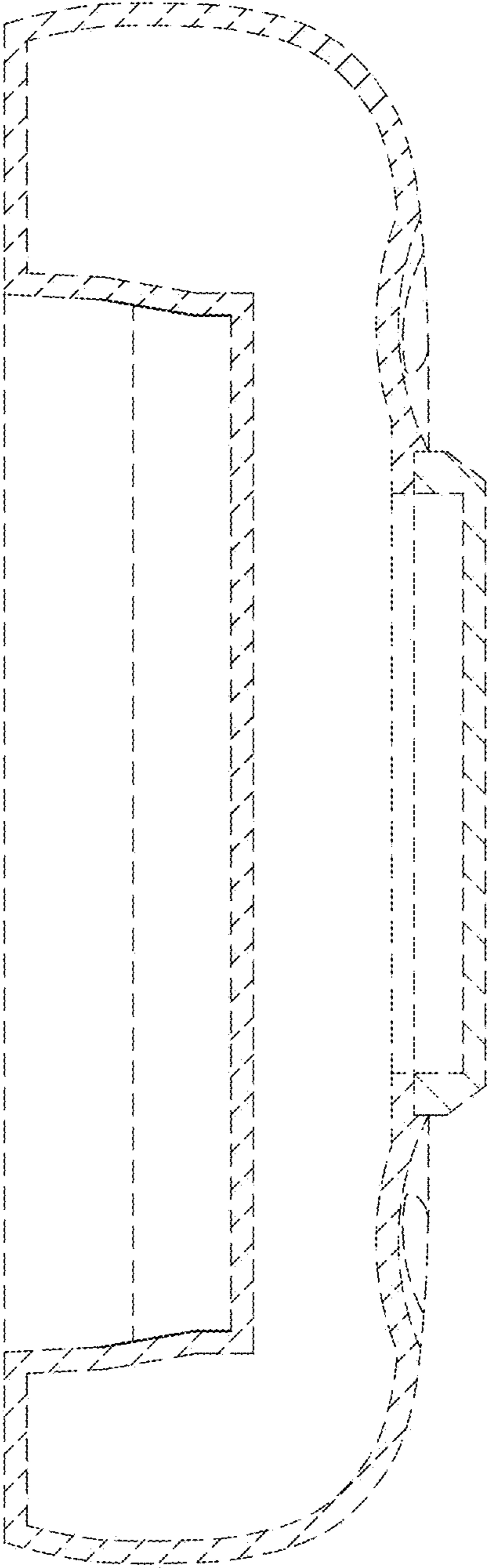


FIG. 12

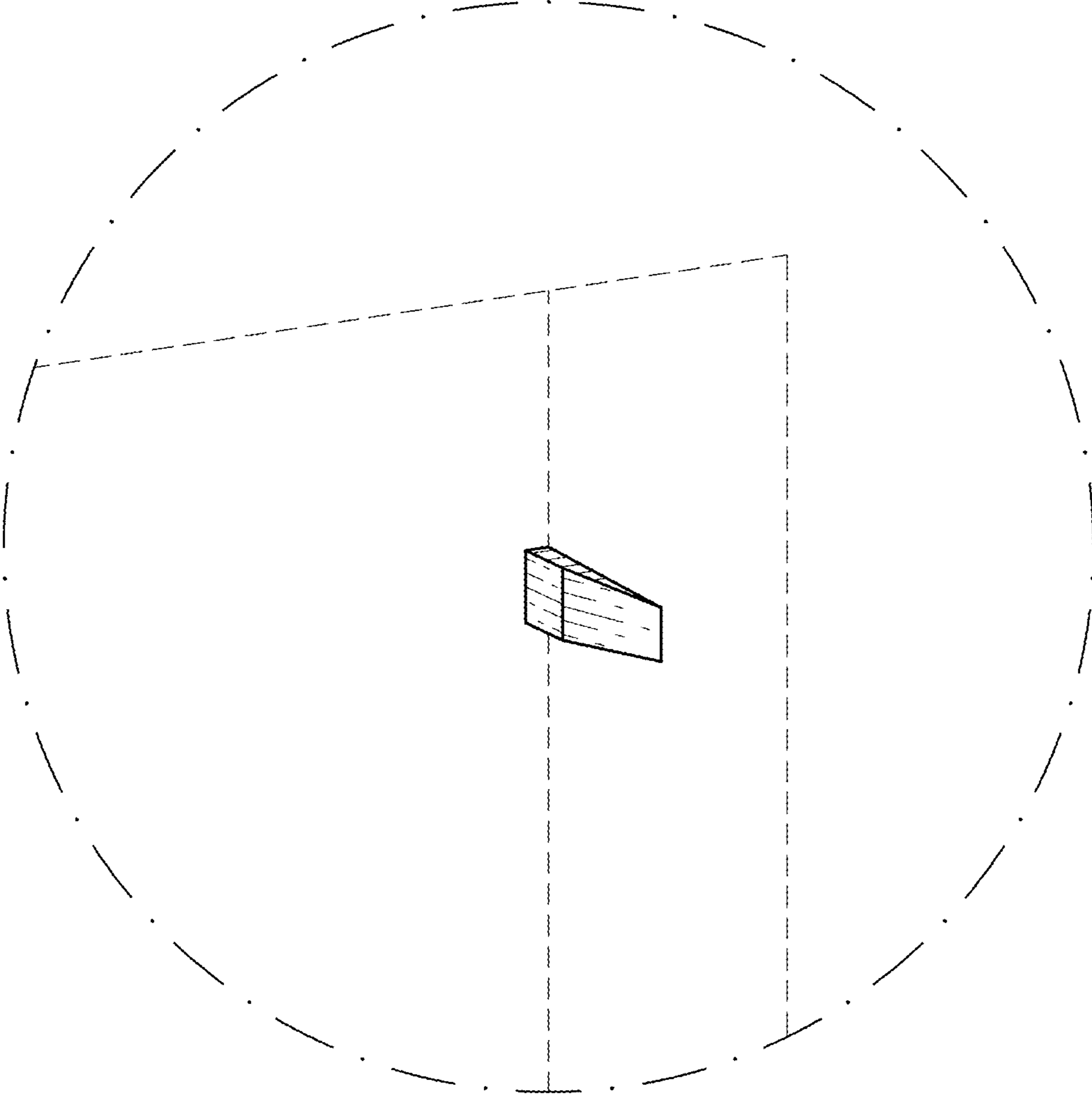


FIG. 13

