



US00D894993S

(12) **United States Design Patent**
Hurdell

(10) **Patent No.:** **US D894,993 S**

(45) **Date of Patent:** **** Sep. 1, 2020**

- (54) **CAMERA WITH A GIMBAL**
- (71) Applicant: **Shotover Camera Systems, LP**,
Queenstown (NZ)
- (72) Inventor: **Bradley Stephen Hurdell**,
Queenstown (NZ)
- (73) Assignee: **Shotover Camera Systems, LP**,
Queenstown (NZ)

D732,601 S *	6/2015	Coyle	D16/237
D738,951 S *	9/2015	Coyle	D16/237
D754,242 S *	4/2016	Wang	D16/242
D785,073 S *	4/2017	Wang	D16/242
D790,000 S *	6/2017	Wang	D16/200
D799,581 S *	10/2017	Lin	D16/242
D810,171 S *	2/2018	Kim	D16/206
D813,924 S *	3/2018	Zheng	D16/203
D816,150 S *	4/2018	Liao	D16/242
D827,698 S *	9/2018	Zhang	D16/242
2016/0381271 A1 *	12/2016	Cheng	F16M 11/041 348/208.2

(**) Term: **15 Years**

* cited by examiner

(21) Appl. No.: **29/645,726**

Primary Examiner — Ramzi S Almatrahi

(22) Filed: **Apr. 27, 2018**

(74) *Attorney, Agent, or Firm* — Lee & Hayes, P.C.

(51) **LOC (12) Cl.** **16-01**

(52) **U.S. Cl.**

USPC **D16/218; D16/202**

(58) **Field of Classification Search**

USPC D16/200, 202–206, 208, 211, 214, 218,
D16/219, 237, 242, 244; D14/130, 132,
D14/144; D10/104.1, 104.2, 106.1,
D10/106.2, 106.5; 348/164, 347,
348/373–376; 396/535, 539–541;
250/330, 332

CPC G03B 15/00; G03B 15/03; G03B 17/02;
G03B 17/04; G03B 17/56; G03B 19/04;
H04N 5/2251; H04N 5/2252; H04N
5/2253; H04N 5/2254; H04N 2101/00;
F16M 11/04; F16M 13/00

See application file for complete search history.

(57) **CLAIM**

The ornamental design for a camera with a gimbal, as shown and described.

DESCRIPTION

FIG. 1 is a top, front perspective view of a camera with a gimbal showing my new design;
FIG. 2 is a front elevation view thereof;
FIG. 3 is a back elevation view thereof;
FIG. 4 is a right-side elevation view there;
FIG. 5 is a left-side elevation view thereof;
FIG. 6 is a top plan view thereof; and,
FIG. 7 is a bottom plan view thereof.

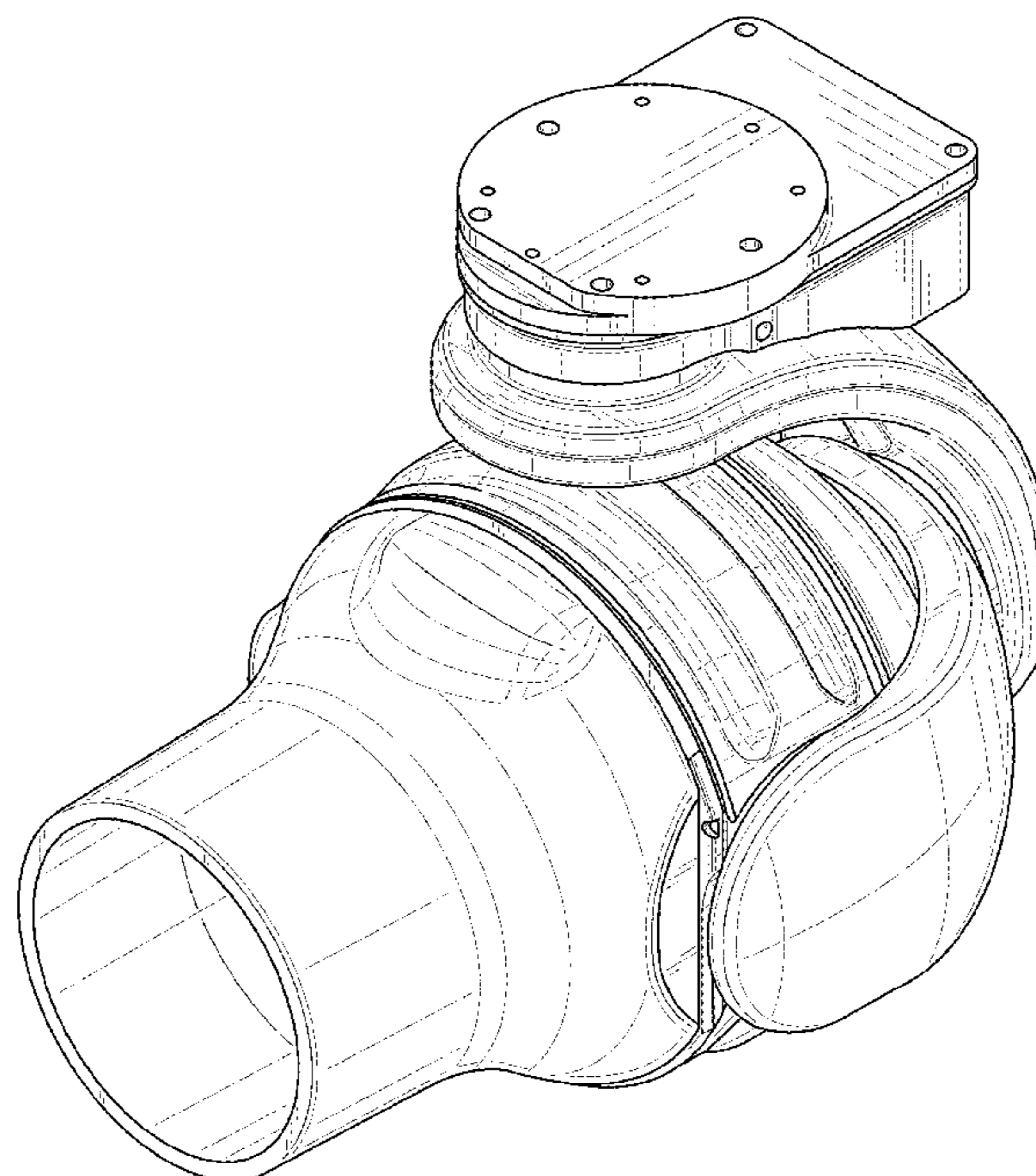
The broken lines depict portions of the camera with a gimbal that form no part of the claimed design.

(56) **References Cited**

U.S. PATENT DOCUMENTS

- D546,993 S * 7/2007 Layne D26/61
- D694,802 S * 12/2013 Coyle D16/237

1 Claim, 7 Drawing Sheets



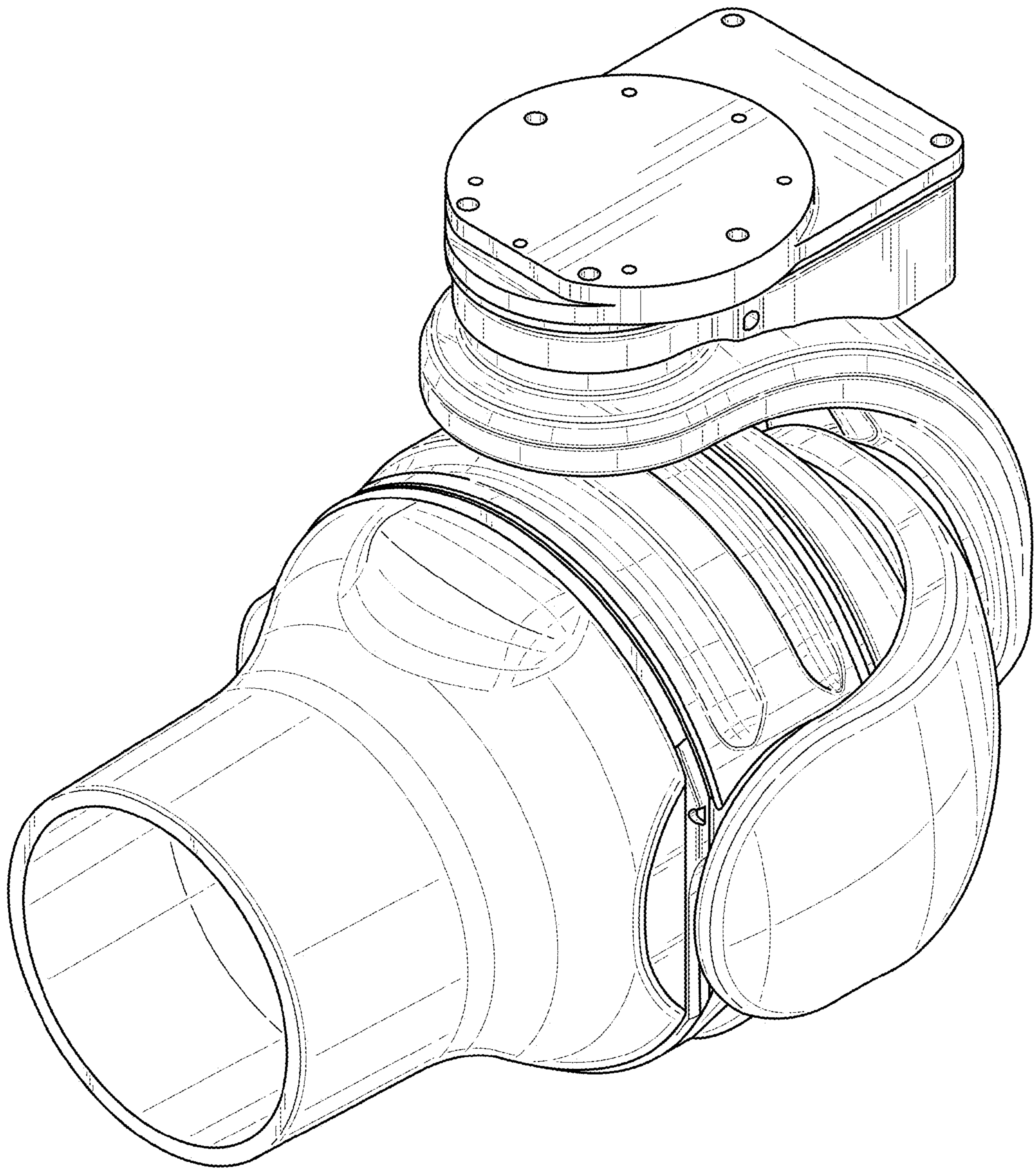


FIG. 1

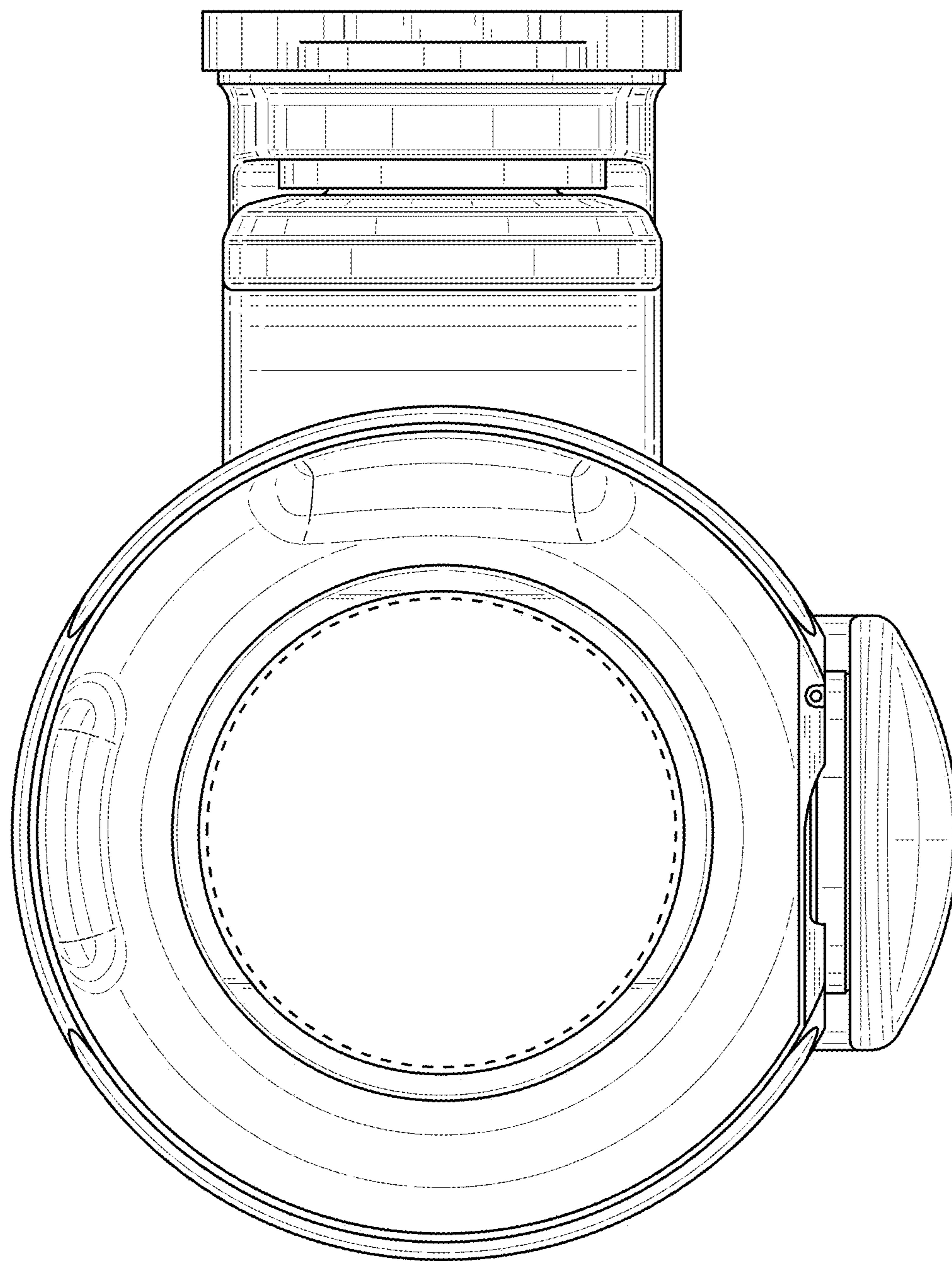


FIG. 2

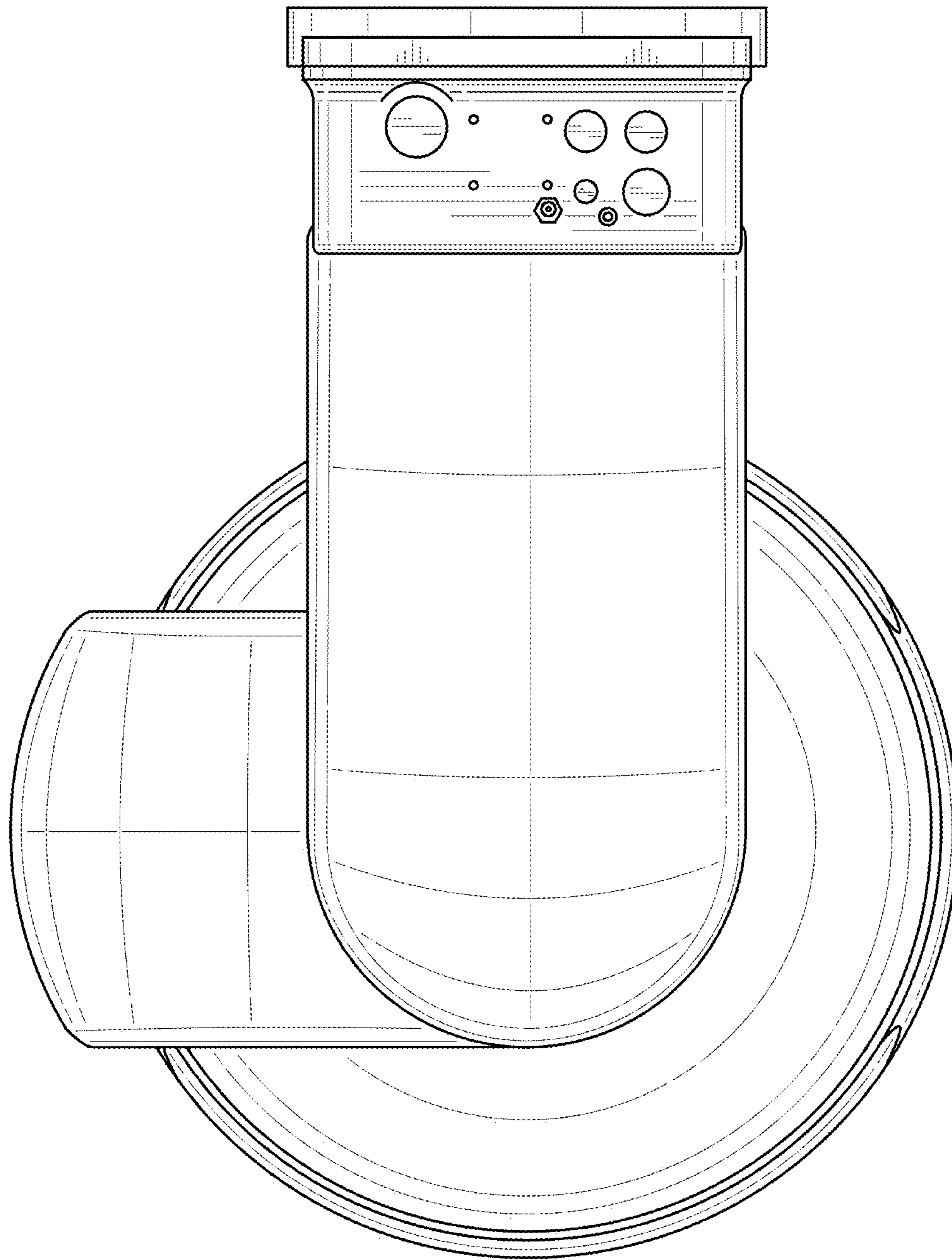


FIG. 3

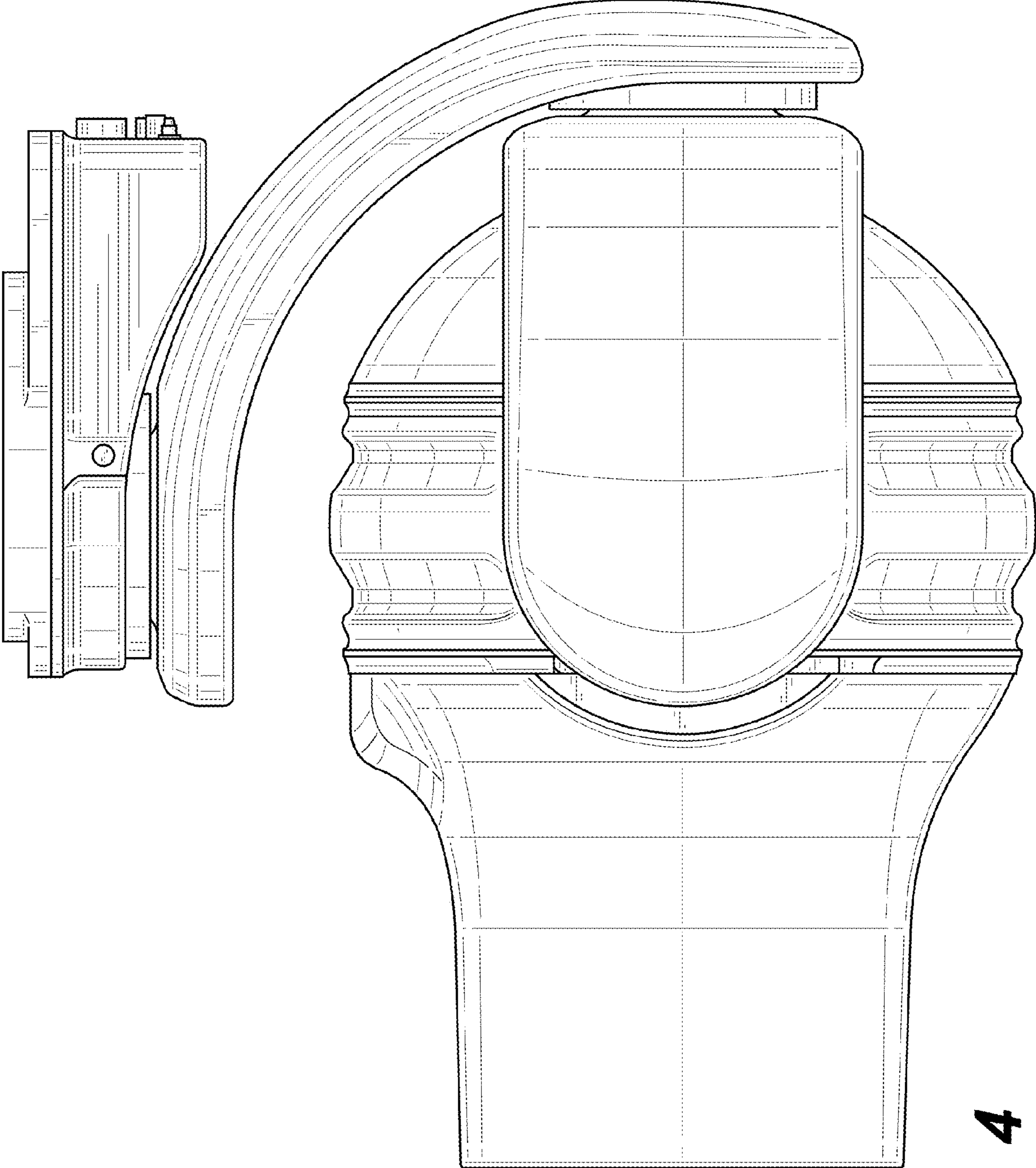


FIG. 4

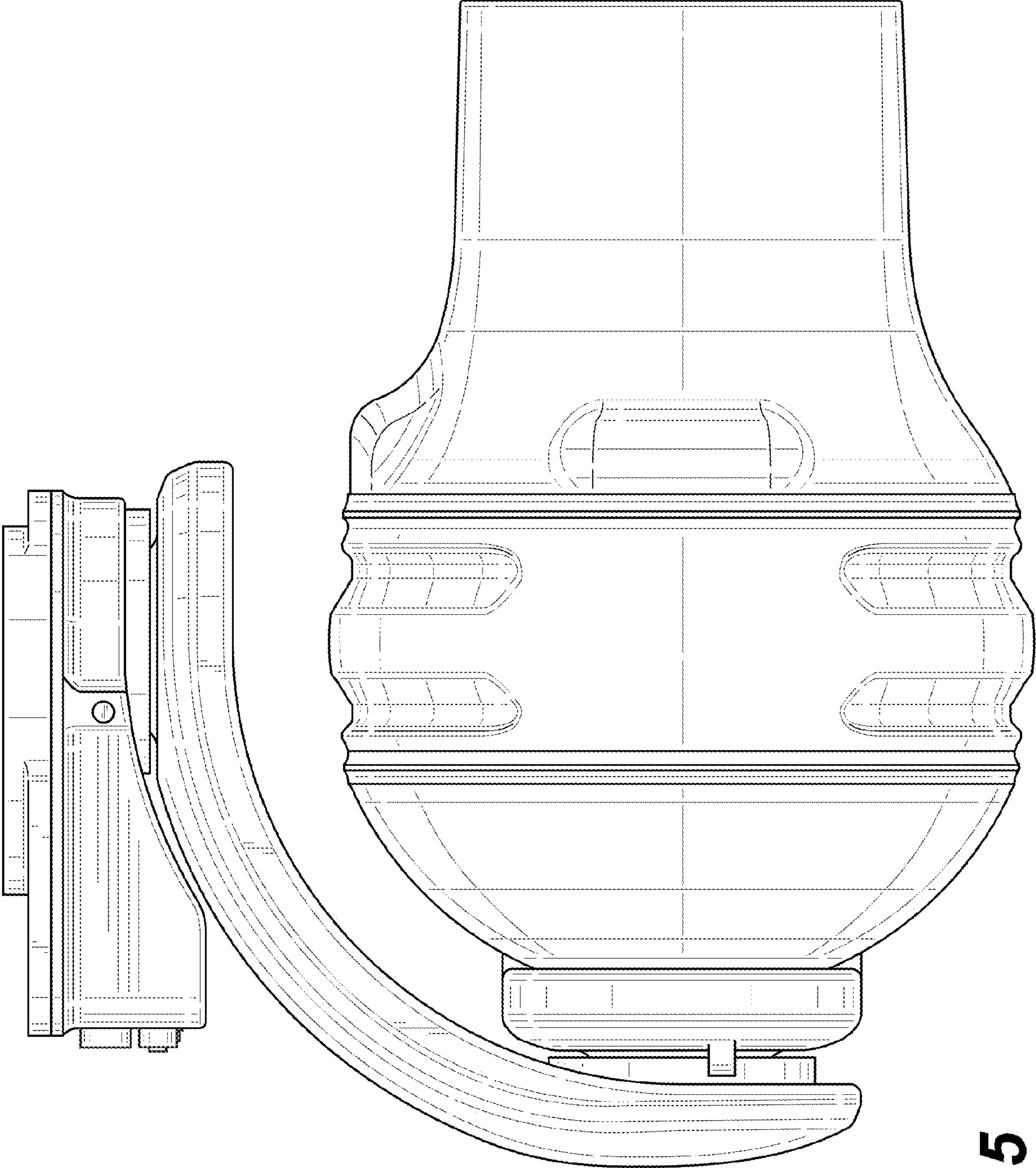


FIG. 5

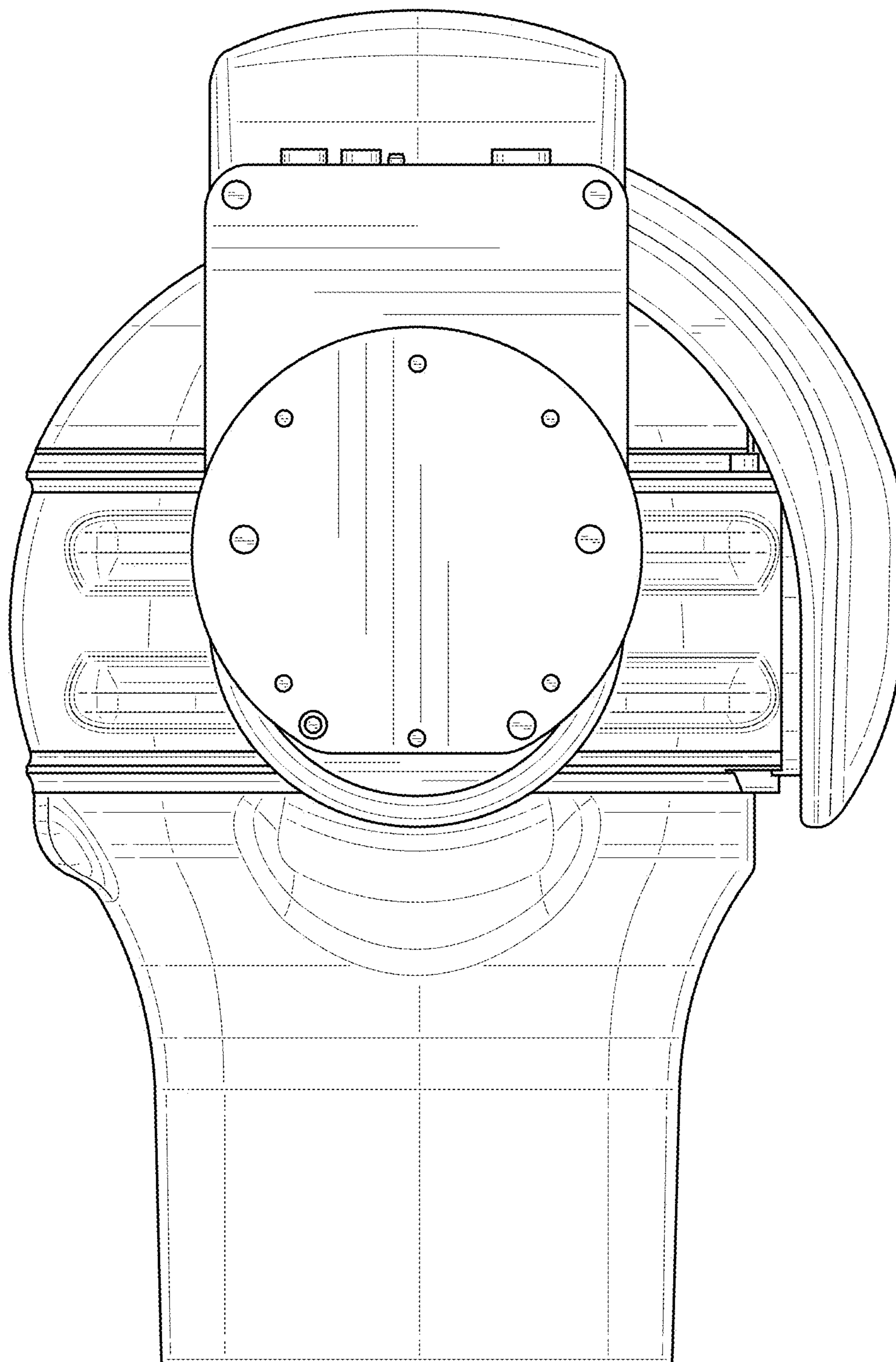


FIG. 6

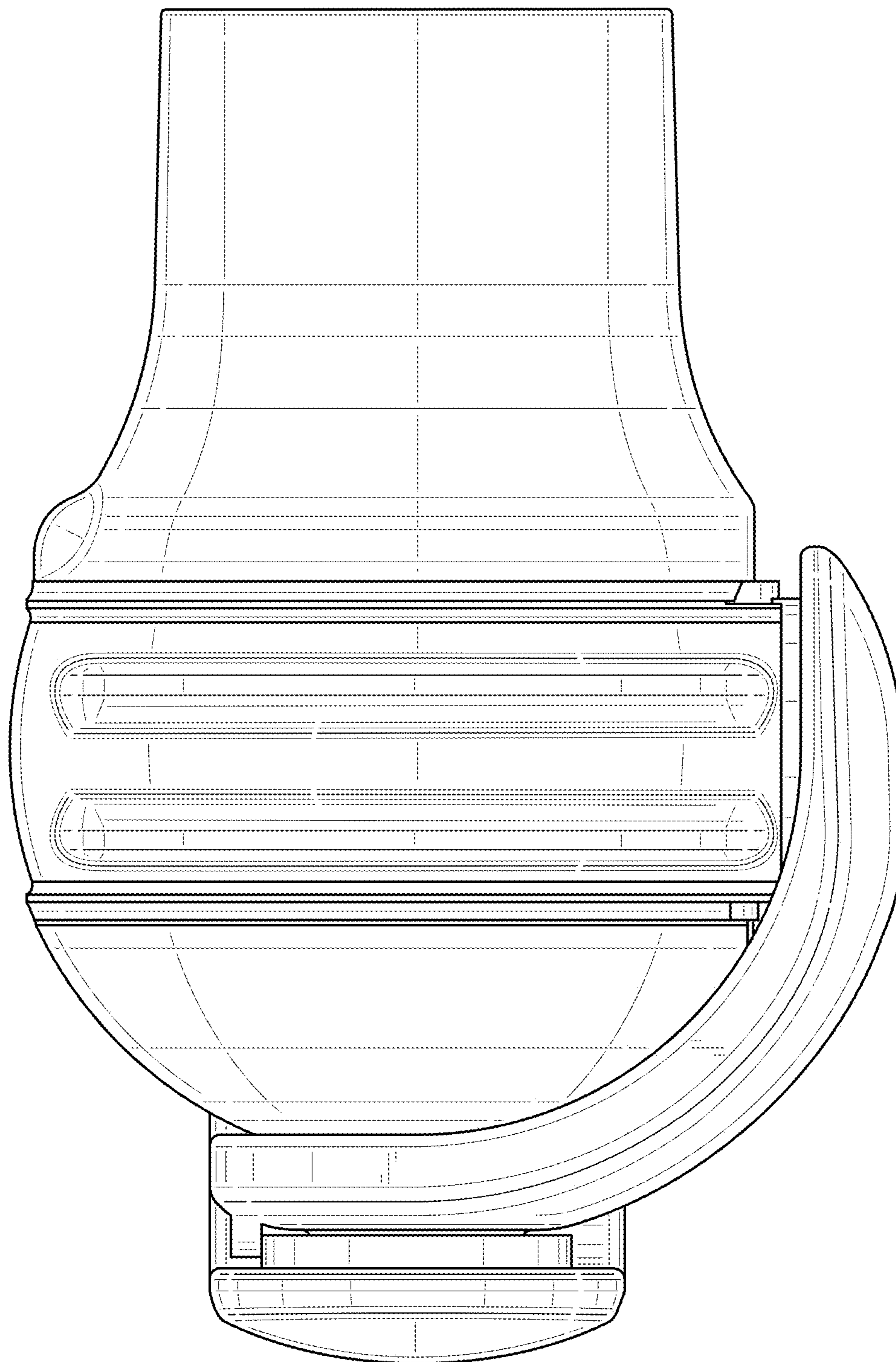


FIG. 7