



US00D894992S

(12) **United States Design Patent**  
**Cui**

(10) **Patent No.:** **US D894,992 S**  
(45) **Date of Patent:** **\*\* Sep. 1, 2020**

- (54) **INDUCTION LAMP WITH CAMERA**
- (71) Applicant: **Ningbo Fiercer Leopard Electrical Appliance Co., Ltd.**, Ningbo, Zhejiang (CN)
- (72) Inventor: **Jianqing Cui**, Zhejiang (CN)
- (73) Assignee: **Ningbo Fiercer Leopard Electrical Appliance Co., Ltd.**, Ningbo (CN)

D795,946 S *	8/2017	Kim	.....	D16/206
D810,171 S *	2/2018	Kim	.....	D16/206
D810,806 S *	2/2018	Kim	.....	D16/206
D813,924 S *	3/2018	Zheng	.....	D16/203
D814,545 S *	4/2018	Kim	.....	D16/206
D815,180 S *	4/2018	Kim	.....	D16/206
D816,150 S *	4/2018	Liao	.....	D16/242
D835,175 S *	12/2018	Kim	.....	D16/237
D836,699 S *	12/2018	Kim	.....	D16/206
D874,532 S *	2/2020	Chen	.....	D16/202
D875,155 S *	2/2020	Jeong	.....	D16/202

(\*\*) Term: **15 Years**  
(21) Appl. No.: **29/691,890**

\* cited by examiner

(22) Filed: **May 20, 2019**

Primary Examiner — Ramzi S Almatrahi

(30) **Foreign Application Priority Data**

Mar. 12, 2019 (CN) ..... 2019 3 0099589

(51) **LOC (12) Cl.** ..... **16-01**

(52) **U.S. Cl.**  
USPC ..... **D16/208; D16/218**

(58) **Field of Classification Search**  
USPC ..... D16/200, 202–206, 208, 211, 214, 218, D16/219, 237, 242, 244; D14/130, 132, D14/144; D10/104.1, 104.2, 106.1, D10/106.2, 106.5; 348/164, 347, 348/373–376; 396/535, 539–541; 250/330, 332; D26/51, 61, 63, 64, 65, D26/77, 85  
CPC ..... G03B 15/00; G03B 15/03; G03B 17/02; G03B 17/04; G03B 17/56; G03B 19/04; H04N 5/2251; H04N 5/2252; H04N 5/2253; H04N 5/2254; H04N 2101/00; F16M 11/04; F16M 13/00

See application file for complete search history.

(56) **References Cited**

**U.S. PATENT DOCUMENTS**

D694,802 S *	12/2013	Coyle	.....	D16/237
D790,000 S *	6/2017	Wang	.....	D16/200

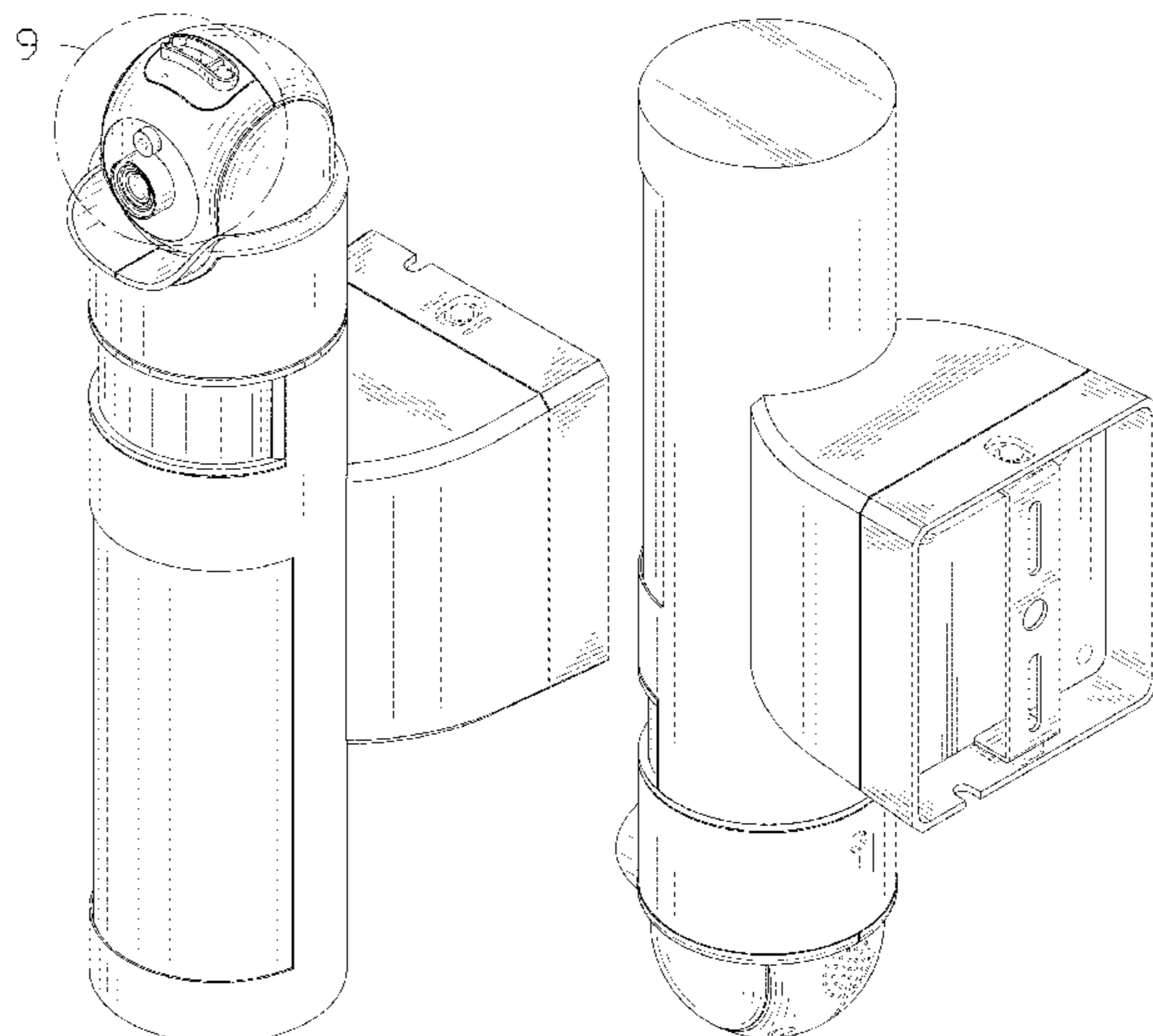
(57) **CLAIM**

The ornamental design for an induction lamp with camera, as shown and described.

**DESCRIPTION**

FIG. 1 is a top, front and right side perspective view of an induction lamp with camera showing my new design; FIG. 2 is a bottom, rear and left side perspective view thereof; FIG. 3 is a front elevational view thereof; FIG. 4 is a rear elevational view thereof; FIG. 5 is a left side view thereof; FIG. 6 is a right side view thereof; FIG. 7 is a top plan view thereof; FIG. 8 is a bottom plan view thereof; and, FIG. 9 is an enlarged view of portion 9 shown in FIG. 1. The broken lines depict portions of the induction lamp with camera in which the design is embodied that form no part of the claimed design. The dot-dash broken lines enclosing an enlargement portion of the design forms no part of the claimed design.

**1 Claim, 9 Drawing Sheets**



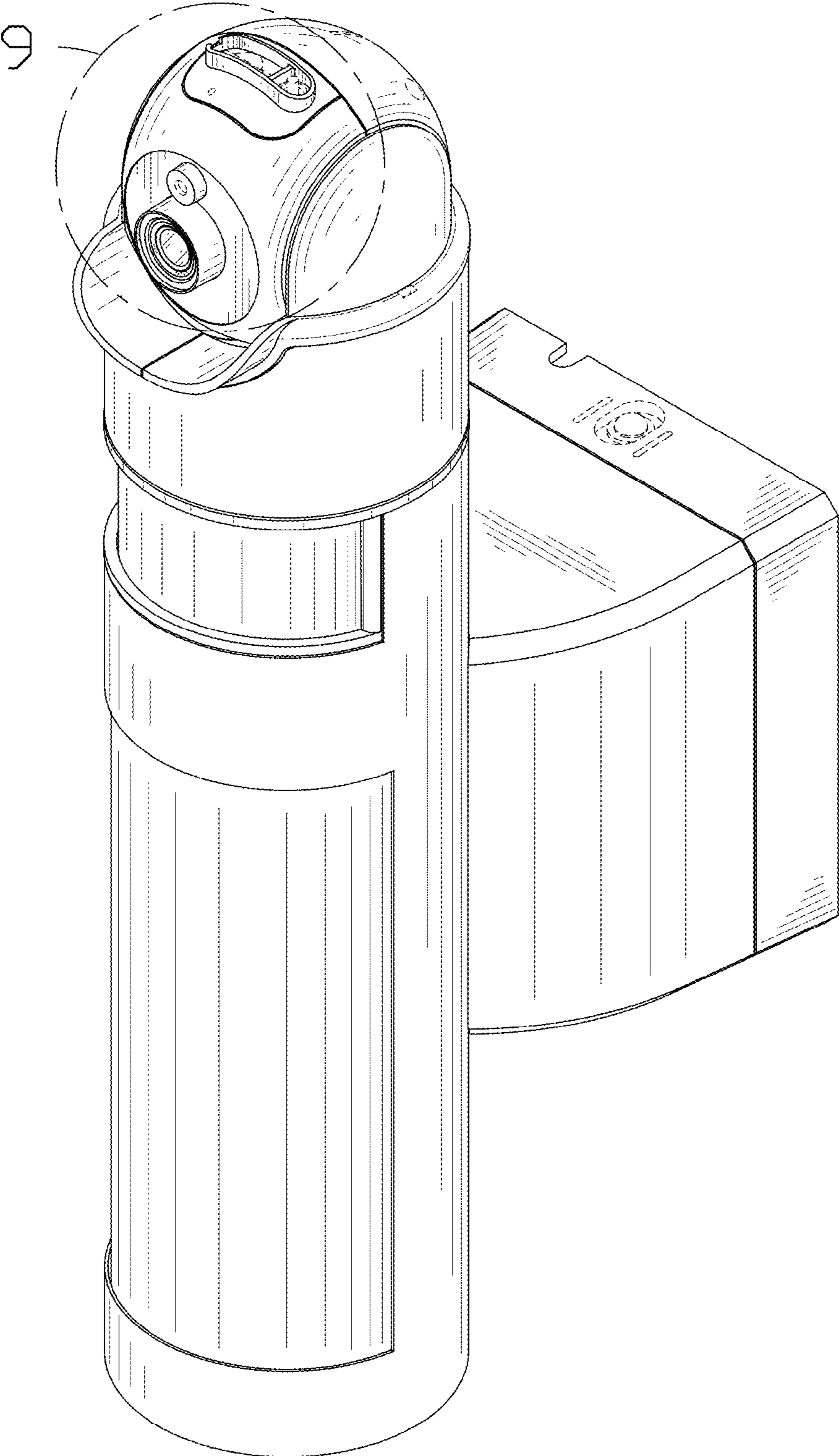


FIG. 1

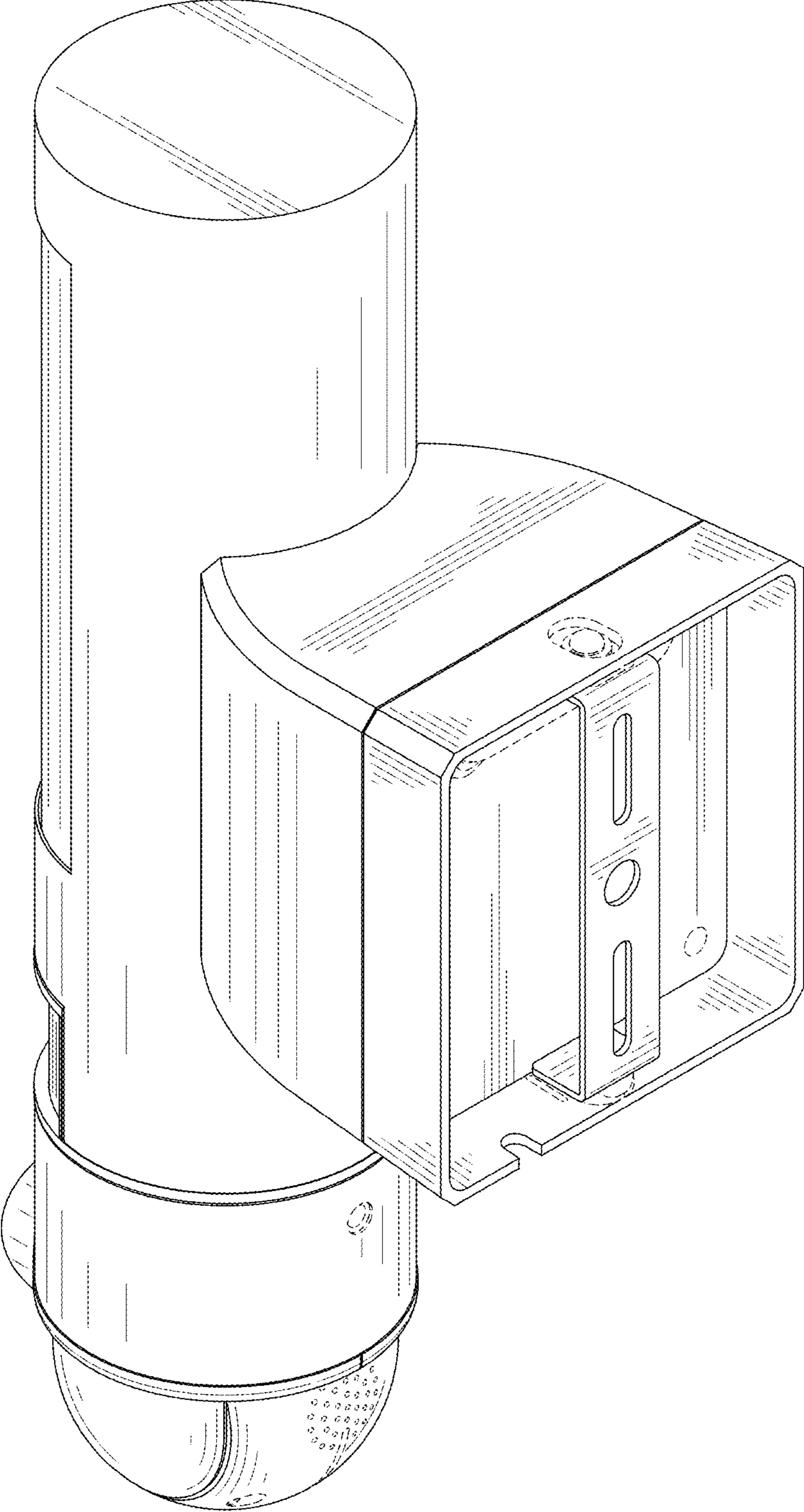


FIG. 2



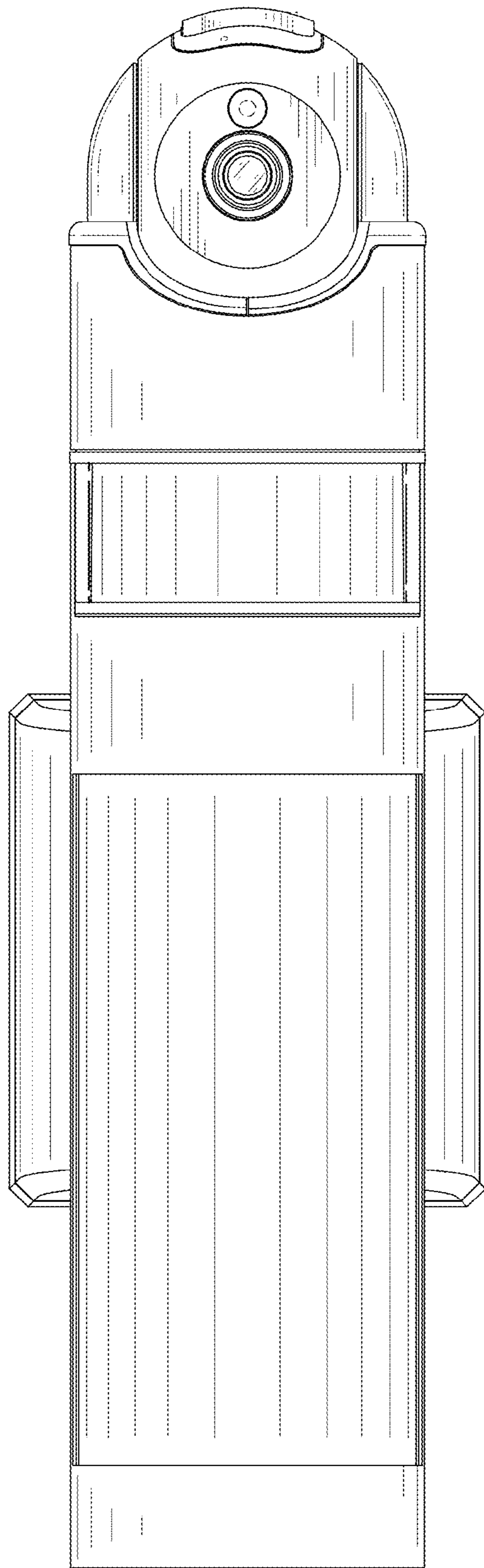


FIG. 3

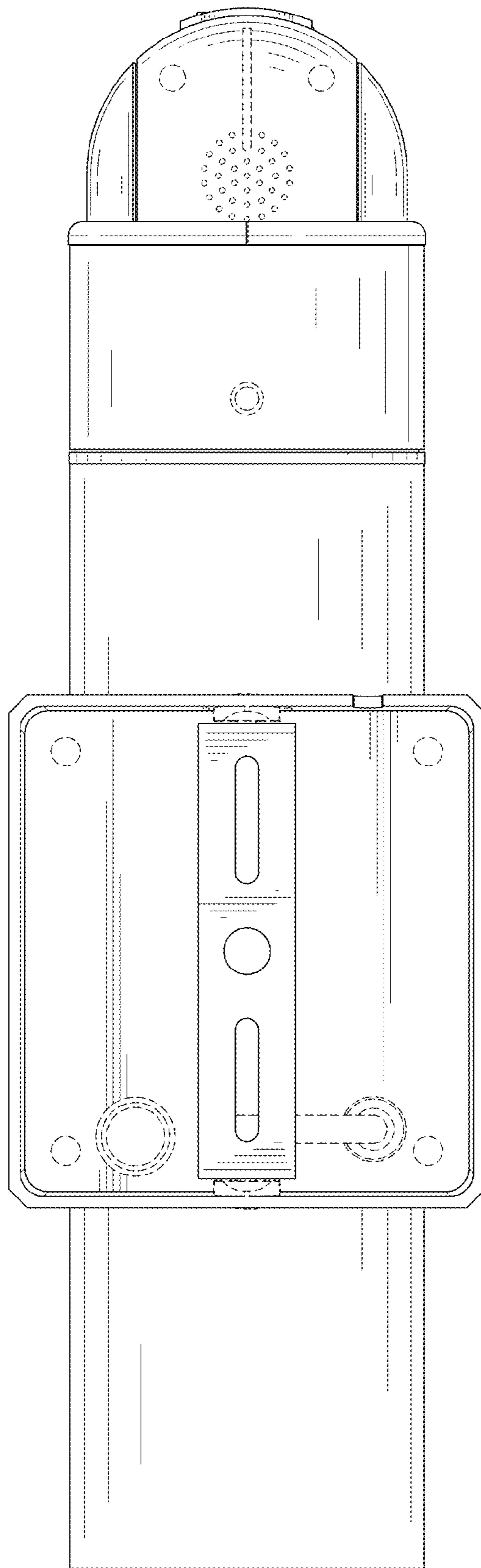


FIG. 4

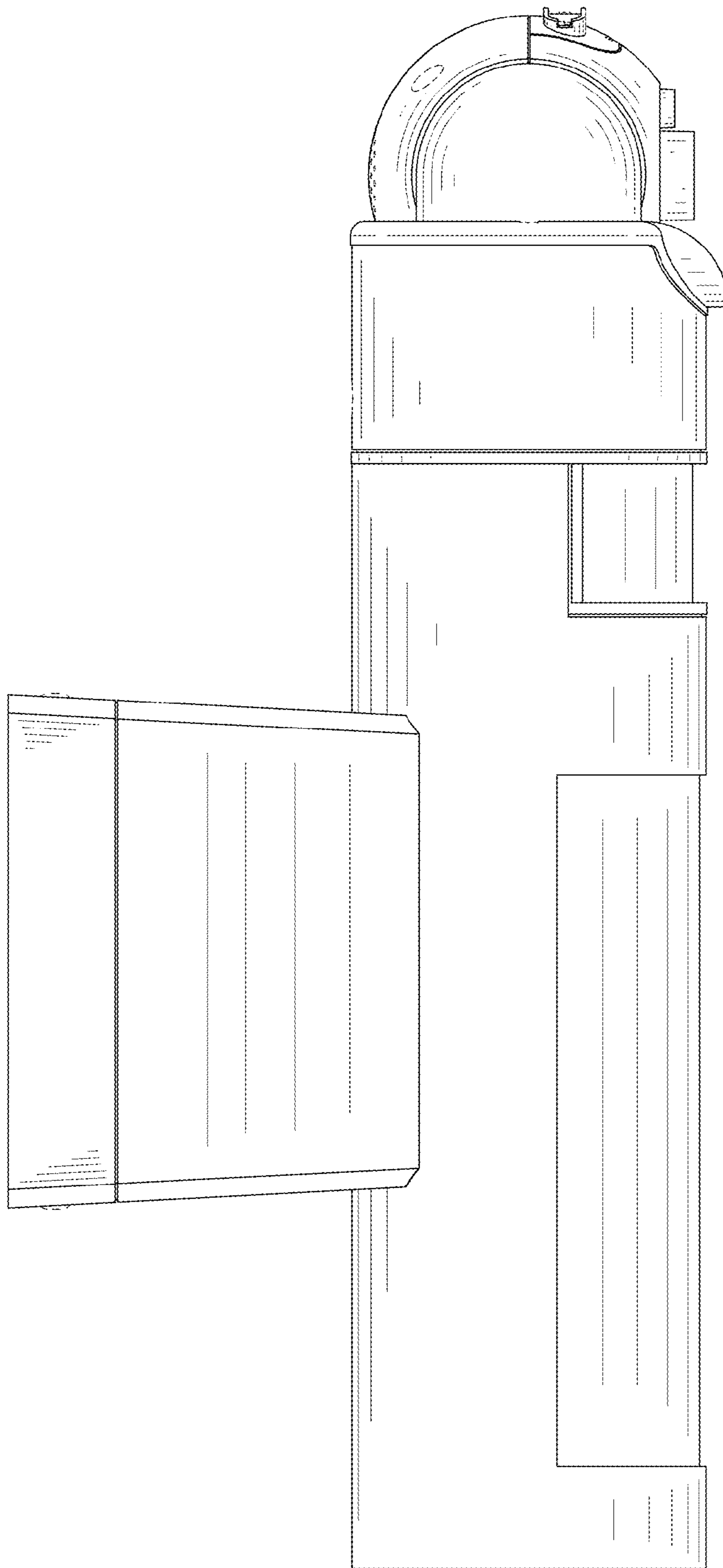


FIG. 5

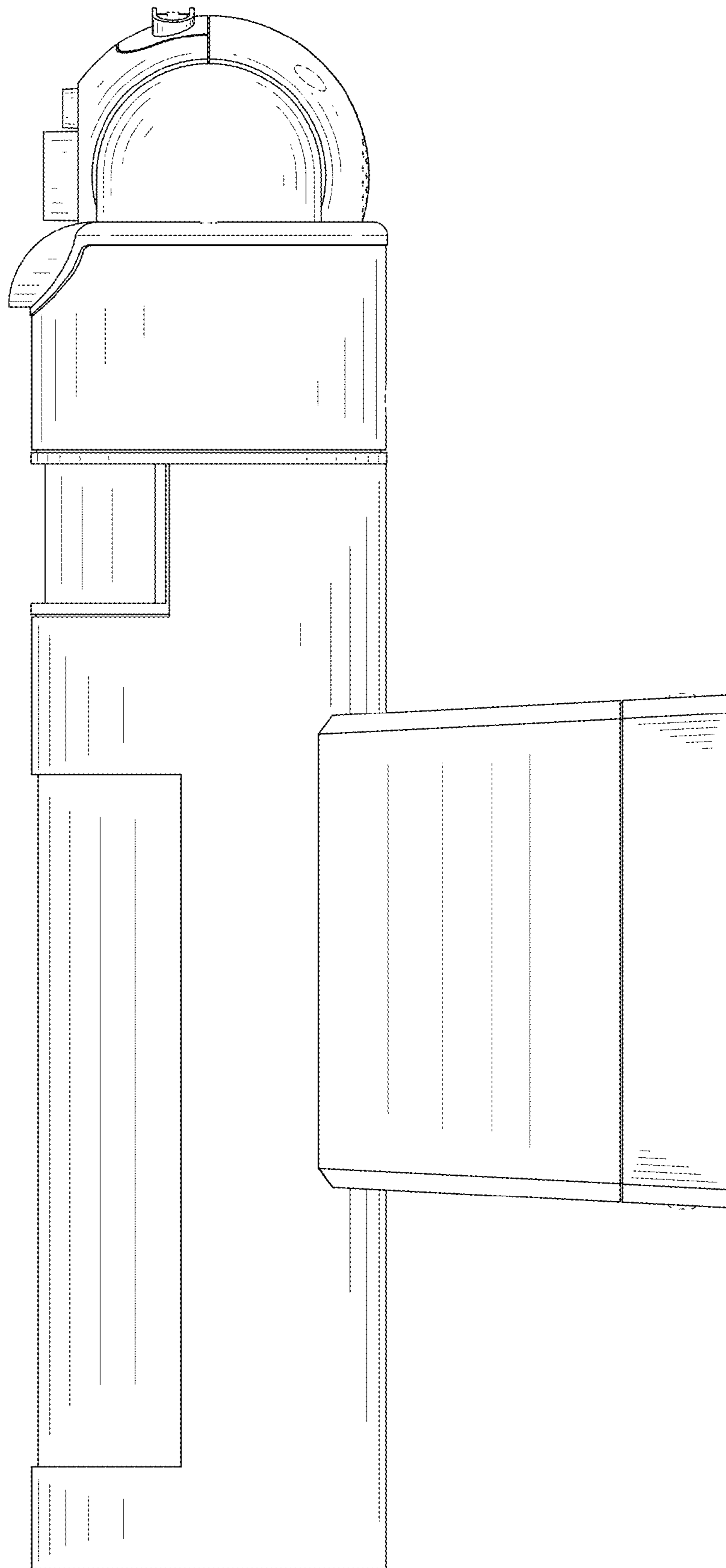


FIG. 6

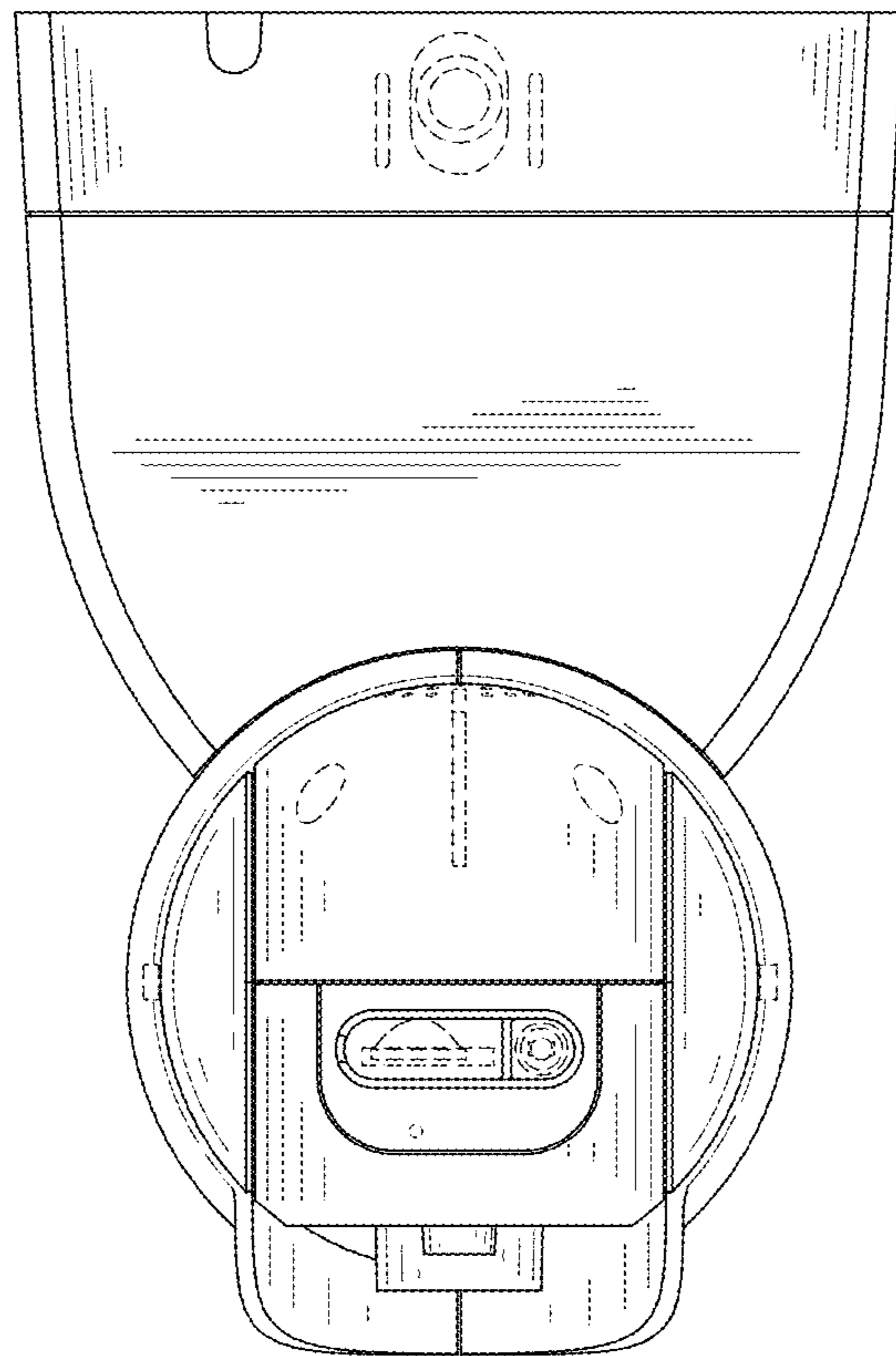


FIG. 7



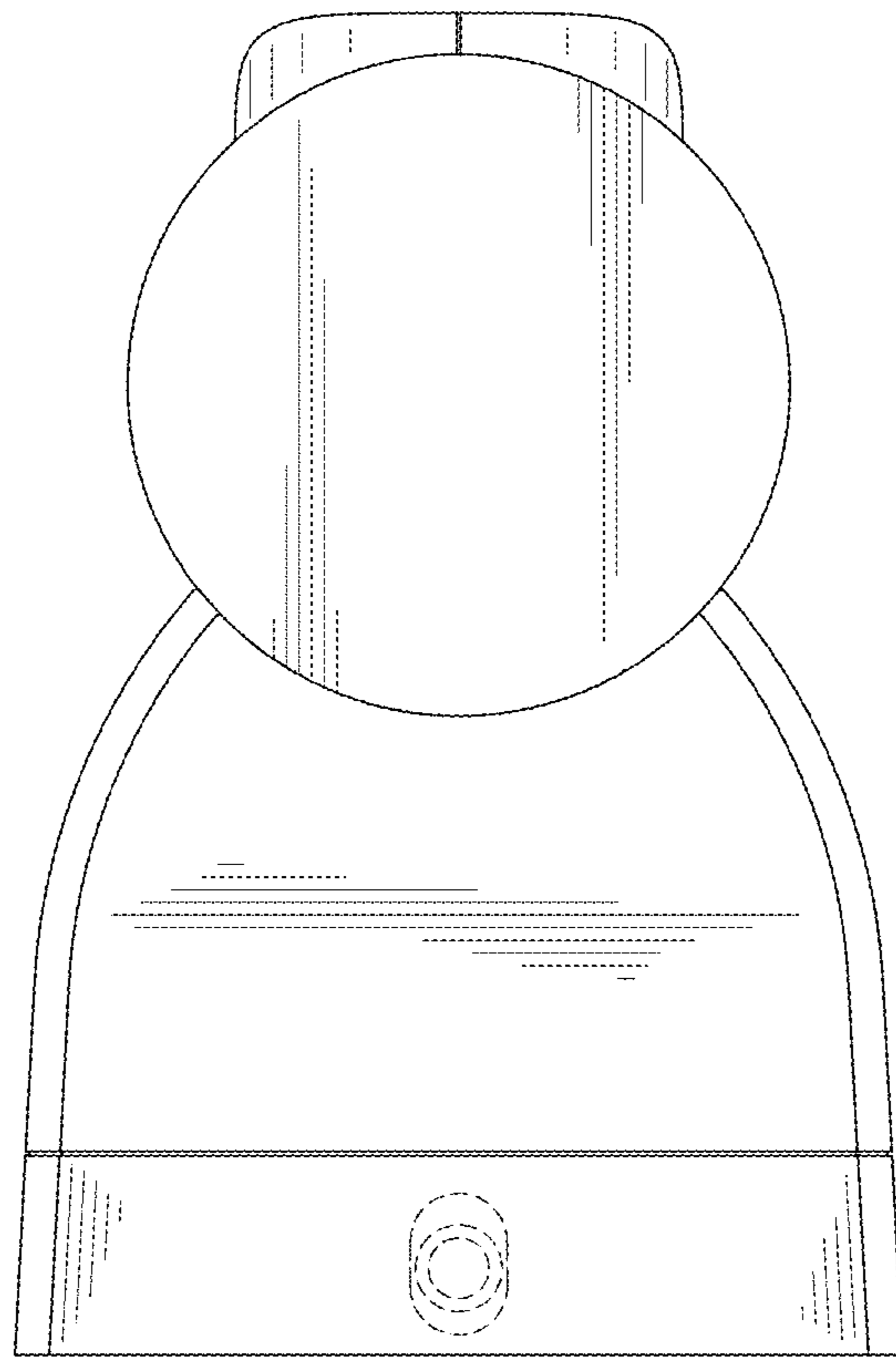


FIG. 8

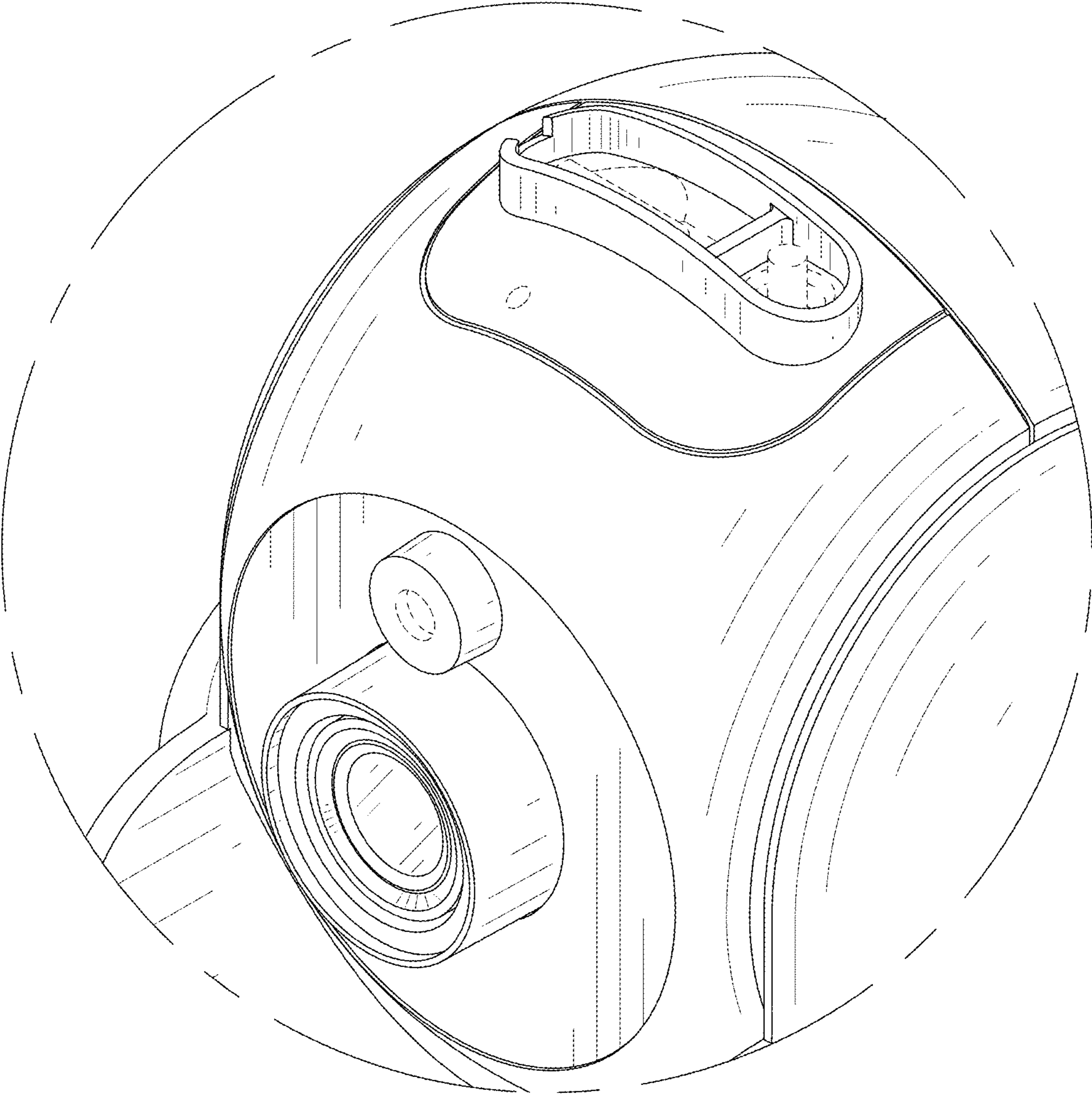


FIG. 9