



US00D894991S

(12) **United States Design Patent** (10) **Patent No.:** **US D894,991 S**
Park et al. (45) **Date of Patent:** **** Sep. 1, 2020**

(54) **CAMERA**

(71) Applicant: **HANWHA TECHWIN CO., LTD.**,
Seongnam-si (KR)

(72) Inventors: **Ho Jin Park**, Seongnam-si (KR); **Mun Jun Park**, Seongnam-si (KR)

(73) Assignee: **HANWHA TECHWIN CO., LTD.**,
Seongnam-si (KR)

(**) Term: **15 Years**

(21) Appl. No.: **29/710,563**

(22) Filed: **Oct. 24, 2019**

Related U.S. Application Data

(63) Continuation-in-part of application No. 29/675,155,
filed on Dec. 28, 2018.

(30) **Foreign Application Priority Data**

Jul. 24, 2018 (KR) 30-2018-0034186
Sep. 30, 2019 (KR) 30-2019-0046909

(51) **LOC (12) Cl.** **16-01**

(52) **U.S. Cl.**
USPC **D16/202; D16/203**

(58) **Field of Classification Search**

USPC D3/210, 215, 207-209; D8/356, 357;
D10/31, 104.1, 50, 65, 74, 70, 118.2, 66;
D16/200-220, 131, 132, 237, 242, 239,
D16/250, 235, 130, 134, 136, 238;
D14/417, 138 C, 240, 248, 203.1, 203.3,
D14/203.7, 218, 207, 440, 402, 454, 407,
D14/408, 480.3, 480.1, 483; D24/138
CPC . G02B 7/02; G02B 7/021; G02B 7/04; G02B
7/14; G02B 7/003; G02B 7/008; G02B
13/06; G03B 17/00; G03B 17/02; G03B
17/56; G03B 17/04; G03B 17/14; G03B
17/08; G03B 15/03; G03B 15/06; H04N
1/00981; H04N 5/2251; H04N 5/2252;
H04N 5/2253; H04N 5/2254; H04N

(Continued)

(56) **References Cited**

U.S. PATENT DOCUMENTS

D409,641 S * 5/1999 Uehara D16/202
D426,844 S * 6/2000 Fujii D16/202
D442,982 S * 5/2001 Adachi D16/203

(Continued)

FOREIGN PATENT DOCUMENTS

CN 302874319 * 9/2014
CN 304081980 * 3/2017

OTHER PUBLICATIONS

Hanwha Techwin 1080P Zoom Box Camera XNZ-6320, published
2020 [online], [retrieved Mar. 14, 2020], Available from Internet,
URL: <https://www.affinitechstore.com/hanwha-techwin-1080p-zoom-box-camera-xnz-6320/>.*

Primary Examiner — T Chase Nelson

Assistant Examiner — Mary Claire Ramirez

(74) *Attorney, Agent, or Firm* — Sughrue Mion, PLLC

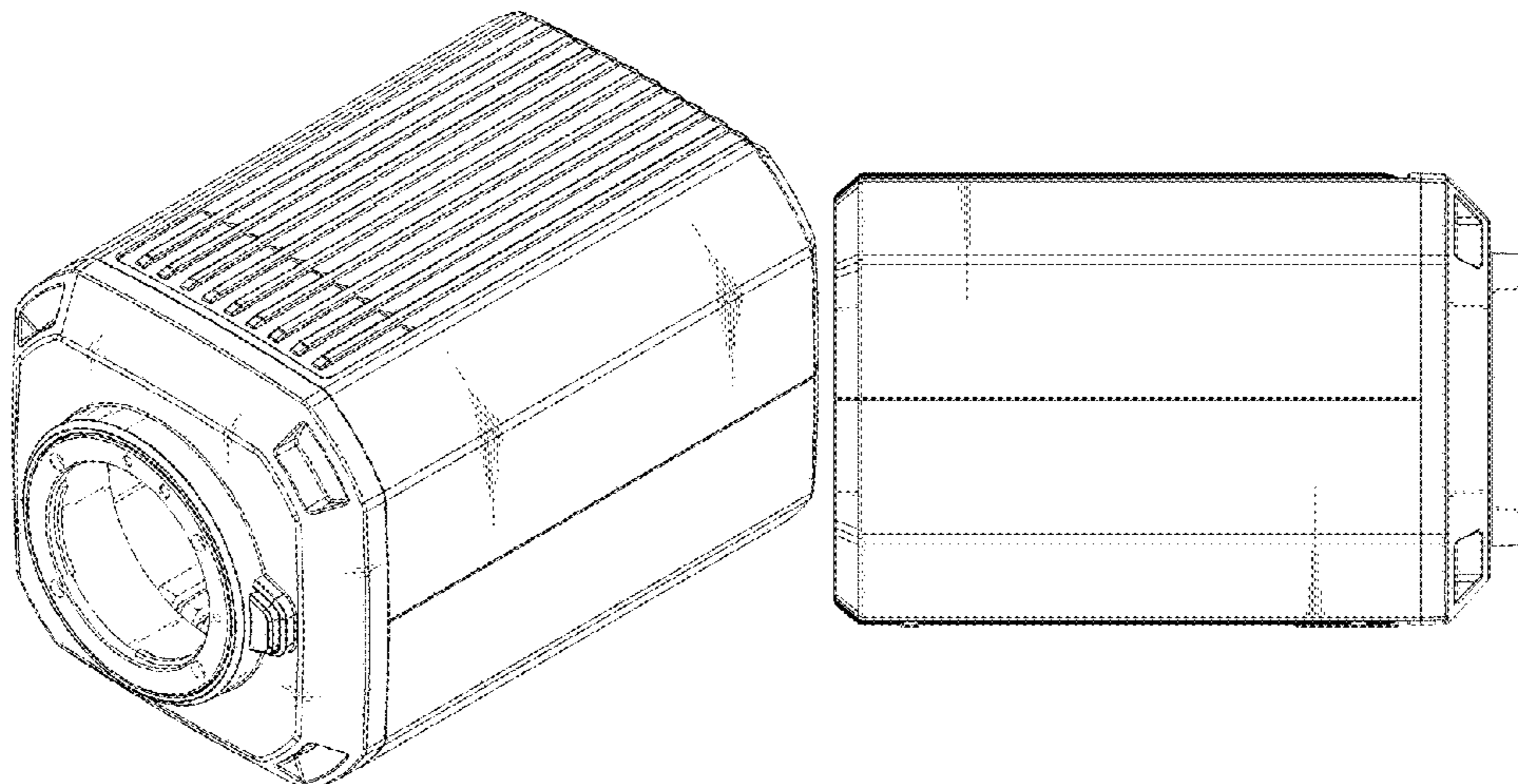
(57) **CLAIM**

The ornamental design for a camera, as shown and
described.

DESCRIPTION

FIG. 1 is a perspective view of a camera showing the new
design;
FIG. 2 is a front view thereof;
FIG. 3 is a rear view thereof;
FIG. 4 is a left side view thereof;
FIG. 5 is a right side view thereof;
FIG. 6 is a top plan view thereof; and,
FIG. 7 is a bottom view thereof.
The broken lines shown in the drawings depict portions of
the camera that form no part of the claimed design.

1 Claim, 7 Drawing Sheets



US D894,991 S

Page 2

(58) **Field of Classification Search**

CPC 5/23238; H04N 7/00; H04N 13/239; H04N
2101/00; F16M 13/00

See application file for complete search history.

(56) **References Cited**

U.S. PATENT DOCUMENTS

D446,801 S * 8/2001 Adachi D16/203
D529,063 S * 9/2006 Cheng D16/203
D531,200 S * 10/2006 Taneno D16/203
D563,450 S * 3/2008 Cheng D16/200
D565,073 S * 3/2008 Jeon D16/203
D612,410 S * 3/2010 Deurwaarder D16/203
D613,784 S * 4/2010 Wang D16/203
D687,875 S * 8/2013 Sasaki D16/202
D694,307 S * 11/2013 Isozaki D16/203
D732,100 S * 6/2015 Jeong D16/203
D739,888 S * 9/2015 Liang D16/203
D742,953 S * 11/2015 Li D16/202
D743,472 S * 11/2015 Tanifuji D16/203
D754,230 S * 4/2016 Mori D16/200
D765,755 S * 9/2016 Pellegrino D16/202
D826,305 S * 8/2018 Ahman D16/203
D839,944 S * 2/2019 Petty D16/218
D868,135 S * 11/2019 Garre D16/219
D870,796 S * 12/2019 Lin D16/219

D874,531 S * 2/2020 Chen D16/202
D875,157 S * 2/2020 Laurino D16/203
D876,414 S * 2/2020 Han D14/248
2005/0099520 A1* 5/2005 Cheng H04N 5/2254
348/335
2006/0082680 A1* 4/2006 Lee H04N 5/2251
348/372
2010/0151192 A1* 6/2010 Saito H01L 27/14618
428/137
2011/0123189 A1* 5/2011 Saito G03B 17/02
396/535
2013/0128104 A1* 5/2013 Nunnink G03B 15/05
348/373
2013/0128105 A1* 5/2013 Nunnink G03B 17/14
348/374
2014/0212125 A1* 7/2014 Hsieh G03B 17/14
396/533
2015/0002730 A1* 1/2015 Shi H04N 5/2251
348/361
2017/0207007 A1* 7/2017 Wang H02G 11/00
2017/0357035 A1* 12/2017 Nunnink G02B 7/028
2017/0363933 A1* 12/2017 Lim F16M 13/02
2019/0132954 A1* 5/2019 Kim G02B 7/02
2019/0137730 A1* 5/2019 Fujiwara G02B 7/102
2019/0361194 A1* 11/2019 Nunnink G02B 26/005
2020/0076993 A1* 3/2020 Shingai G03B 17/55

* cited by examiner

FIG. 1

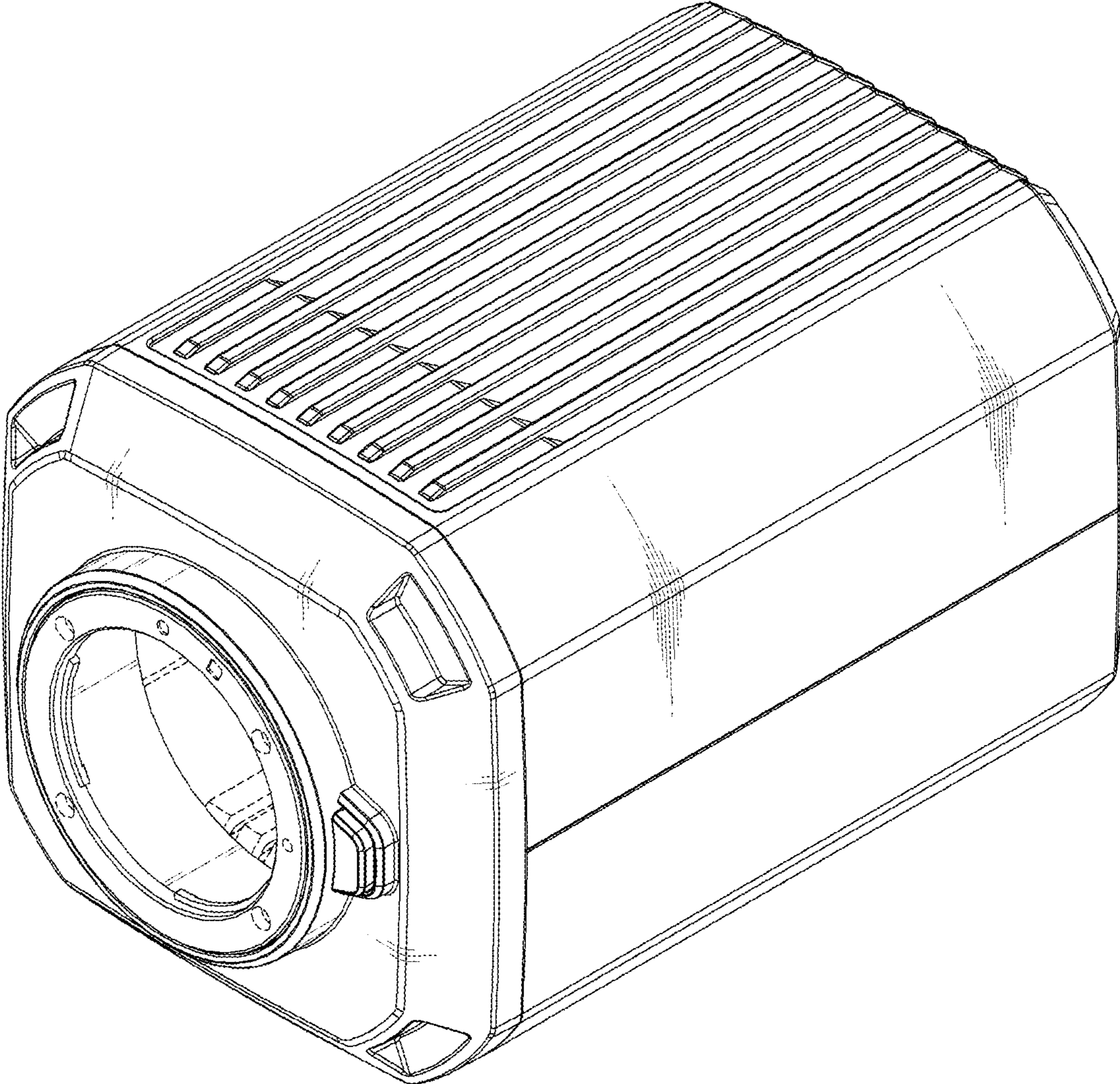


FIG. 2

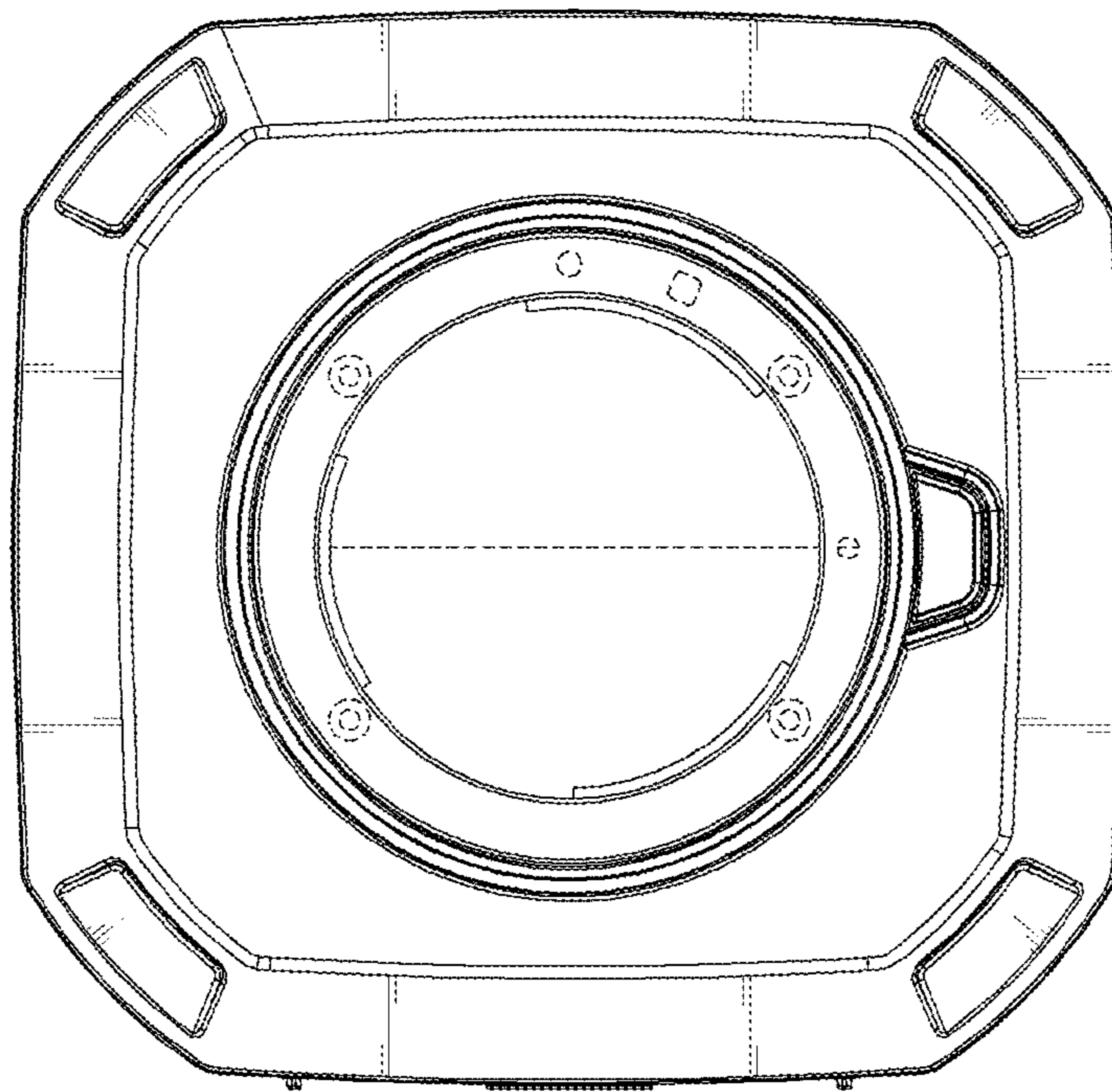


FIG. 3

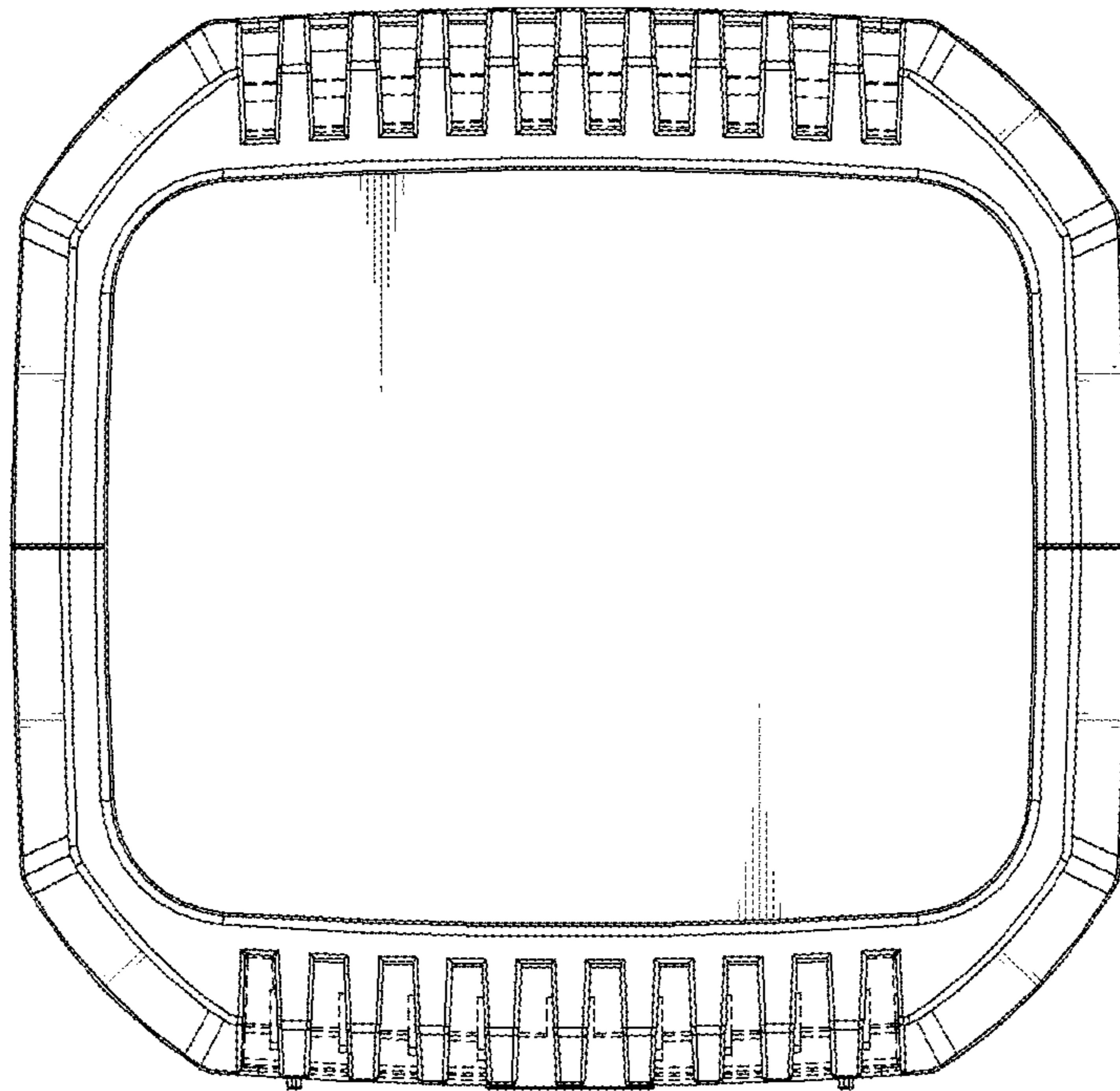


FIG. 4

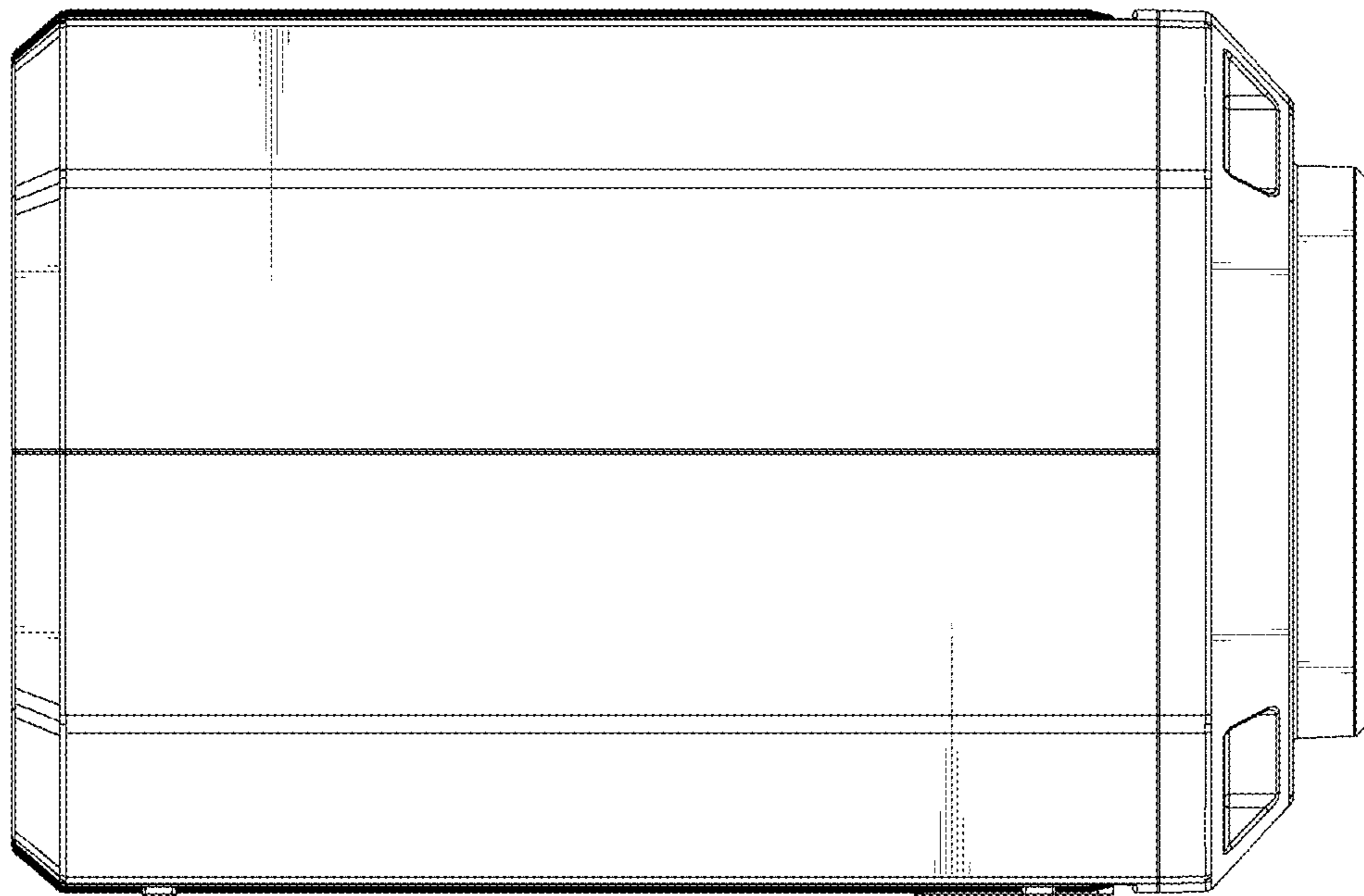


FIG. 5

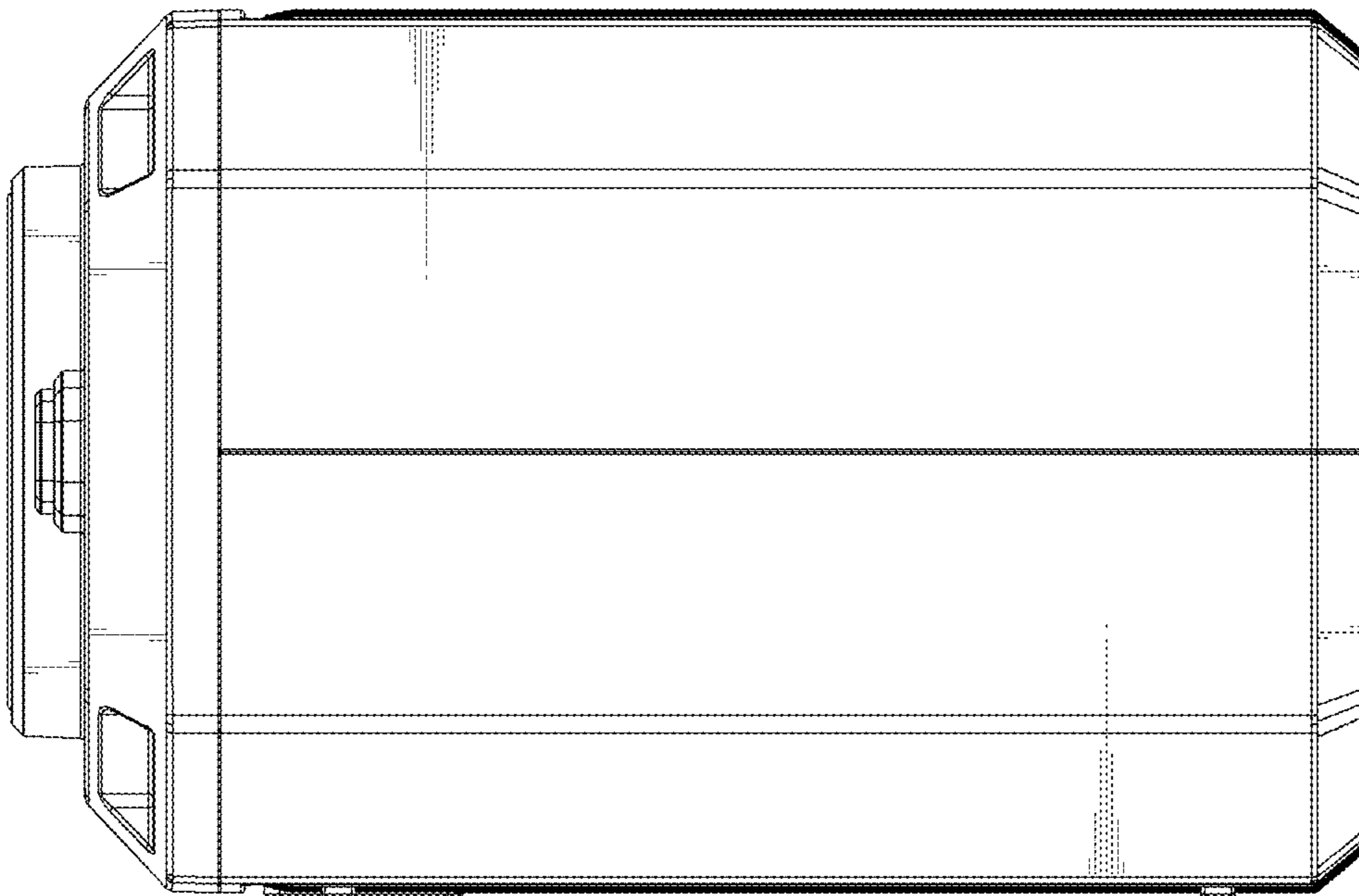


FIG. 6

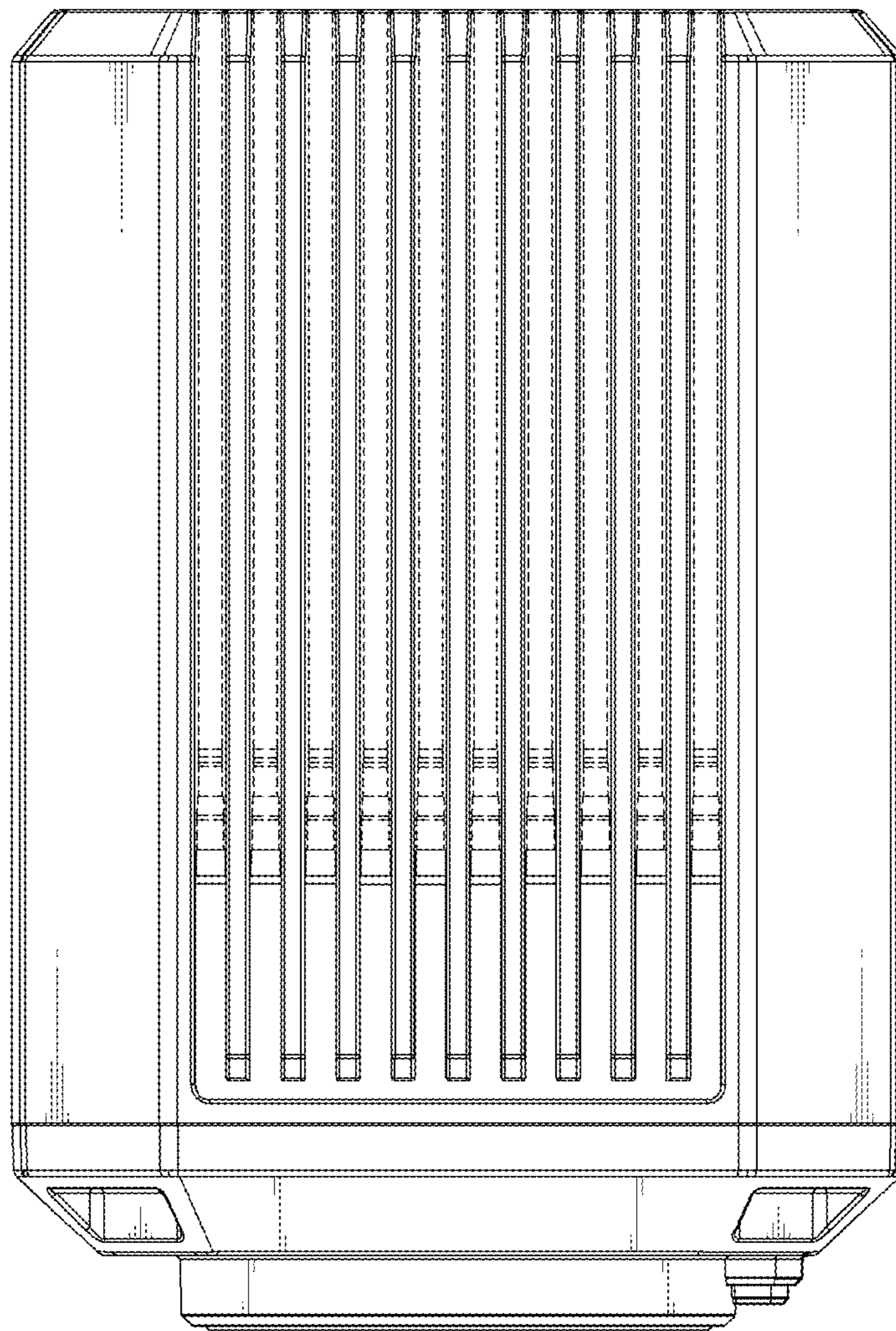


FIG. 7

