



US00D894990S

(12) **United States Design Patent**  
**Petty et al.**

(10) **Patent No.:** **US D894,990 S**

(45) **Date of Patent:** **\*\* Sep. 1, 2020**

(54) **CAMERA**

(71) Applicant: **Blackmagic Design Pty Ltd**, Port Melbourne (AU)

(72) Inventors: **Grant Petty**, Port Melbourne (AU); **Simon Kidd**, Port Melbourne (AU); **Michael Cornish**, Port Melbourne (AU); **Andrew Godin**, Port Melbourne (AU); **Shannon Smith**, Port Melbourne (AU); **Ryan Harper**, Port Melbourne (AU)

(73) Assignee: **Blackmagic Design Pty Ltd** (AU)

(\*\*) Term: **15 Years**

(21) Appl. No.: **29/663,926**

(22) Filed: **Sep. 20, 2018**

(30) **Foreign Application Priority Data**

Apr. 6, 2018 (EM) ..... 005214087-0001  
Apr. 6, 2018 (EM) ..... 005214087-0002  
Apr. 6, 2018 (EM) ..... 005214087-0003

(51) **LOC (12) Cl.** ..... **16-01**

(52) **U.S. Cl.**  
USPC ..... **D16/202**

(58) **Field of Classification Search**

USPC ..... D16/200–220, 131, 132, 237, 242, 239, D16/250, 235, 130, 134, 136, 238; D14/417, 138 C, 240, 248, 203.1, 203.3, D14/203.7, 218, 207, 440, 402, 454, 407, D14/408; D10/104.1, 50, 65, 74, 70, D10/118.2, 66; D18/43; D29/102, 122, D29/103  
CPC ..... G03B 17/00; G03B 17/02; G03B 17/04; G03B 17/14; G03B 17/08; G03B 17/56; G03B 15/03; G03B 15/06; H04N 1/00981; H04N 5/2251; H04N 5/2252; H04N 5/2253; H04N 5/2254; H04N 5/23238; H04N 7/00; H04N 13/239; H04N 2101/00; F16M 13/00

See application file for complete search history.

(56) **References Cited**

U.S. PATENT DOCUMENTS

D422,613 S \* 4/2000 Nagaoka ..... D16/209  
D487,105 S \* 2/2004 Takahashi ..... D16/202  
D497,173 S \* 10/2004 Ogura ..... D16/202  
D497,174 S \* 10/2004 Omino ..... D16/202  
D524,346 S \* 7/2006 Haga ..... D16/202  
D557,308 S \* 12/2007 Matsuda ..... D16/202

(Continued)

OTHER PUBLICATIONS

Blackmagic Pocket Cinema Camera, published 2019 [online], [retrieved Dec. 21, 2019], Available from Internet, URL: <https://www.blackmagicdesign.com/products/blackmagicpocketcinemacamera>.\*

*Primary Examiner* — T Chase Nelson

*Assistant Examiner* — Mary Claire Ramirez

(74) *Attorney, Agent, or Firm* — Saidman DesignLaw Group, LLC

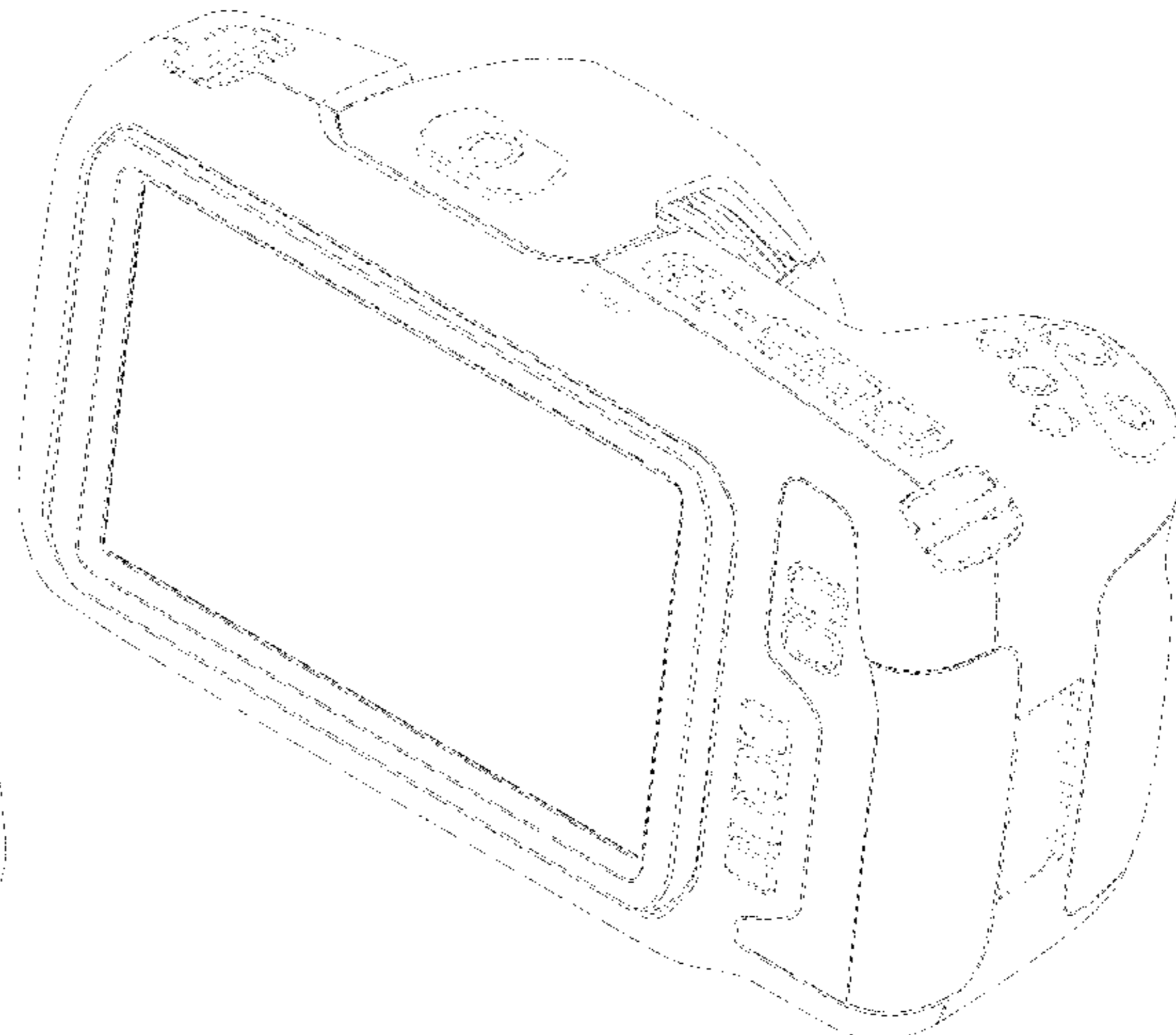
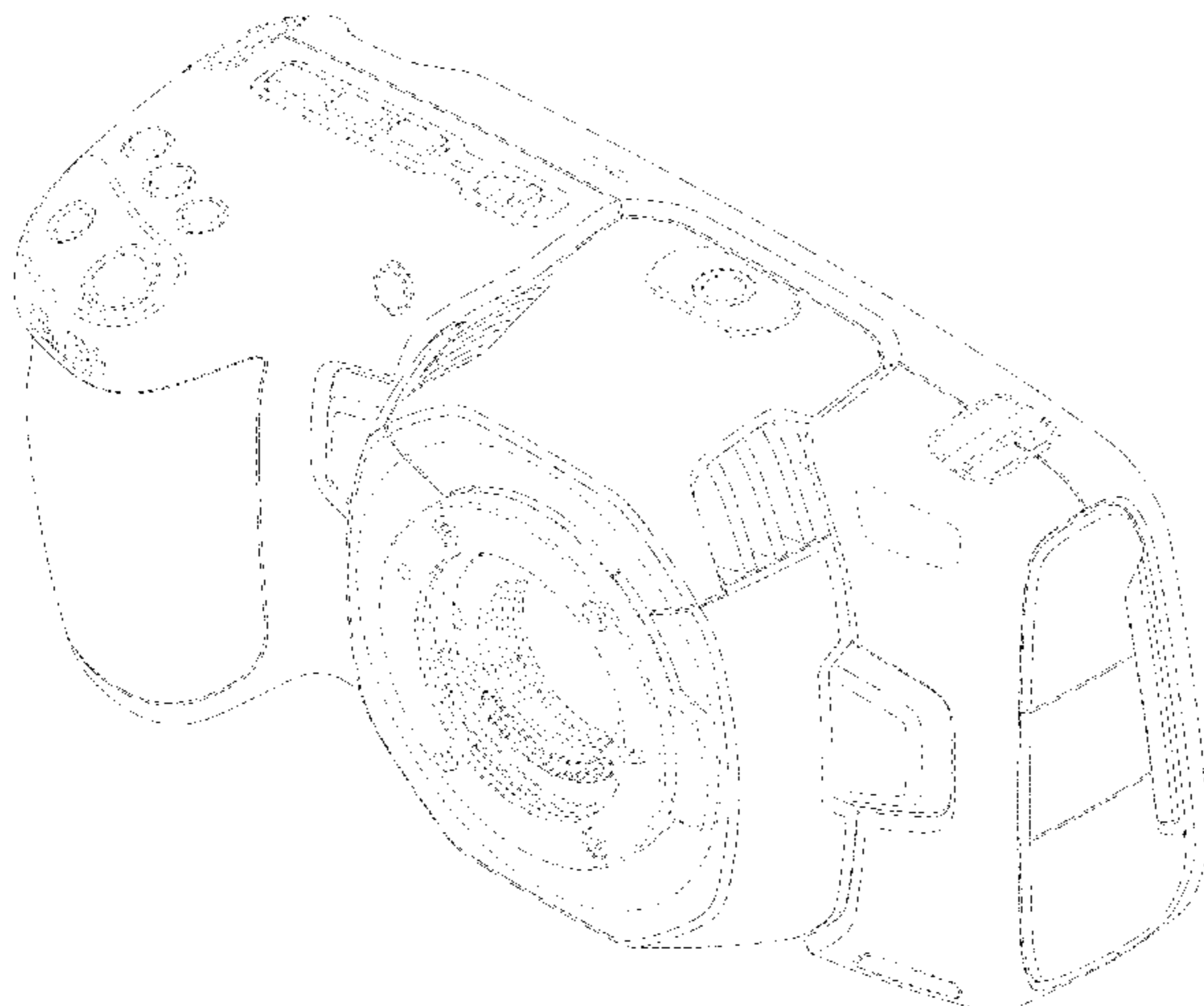
(57) **CLAIM**

The ornamental design for a camera, as shown and described.

**DESCRIPTION**

FIG. 1 is a front perspective view of a camera showing our new design;  
FIG. 2 is a top view thereof;  
FIG. 3 is a front view thereof;  
FIG. 4 is a rear view thereof;  
FIG. 5 is a right side view thereof;  
FIG. 6 is a left side view thereof;  
FIG. 7 is a bottom view thereof; and,  
FIG. 8 is a rear perspective view thereof.  
The broken lines shown in the drawings depict portions of the camera that form no part of the claimed design.

**1 Claim, 8 Drawing Sheets**



(56)

References Cited

U.S. PATENT DOCUMENTS

D558,809	S	*	1/2008	Nakamura	.....	D16/202
D558,812	S	*	1/2008	Takahashi	.....	D16/217
D559,291	S	*	1/2008	Hayashi	.....	D16/202
D561,806	S	*	2/2008	Funakoshi	.....	D16/202
D564,560	S	*	3/2008	Funakoshi	.....	D16/200
D576,192	S	*	9/2008	Isozaki	.....	D16/202
D595,755	S	*	7/2009	Funakoshi	.....	D16/202
D604,349	S	*	11/2009	Miyashita	.....	D16/206
D605,679	S	*	12/2009	Hayashi	.....	D16/206
D607,481	S	*	1/2010	Takahashi	.....	D16/217
D609,730	S	*	2/2010	Nakamura	.....	D16/202
D611,976	S	*	3/2010	Kim	.....	D16/202
D639,325	S	*	6/2011	Yamauchi	.....	D16/202
D640,720	S	*	6/2011	Yoshii	.....	D16/202
D672,802	S	*	12/2012	Nojima	.....	D16/219
D690,755	S	*	10/2013	Nikaido	.....	D16/202
D709,936	S	*	7/2014	Sakai	.....	D16/202
D723,607	S	*	3/2015	Noh	.....	D16/219
D732,099	S	*	6/2015	Nagaoka	.....	D16/202
D749,658	S	*	2/2016	Watanabe	.....	D16/202
D755,273	S	*	5/2016	Baba	.....	D16/217
D779,575	S	*	2/2017	Kobayashi	.....	D16/202
D795,939	S	*	8/2017	Hoshi	.....	D16/202
D806,771	S	*	1/2018	Nikaido	.....	D16/202
D865,836	S	*	11/2019	Puusaari	.....	D16/202
D870,185	S	*	12/2019	Nagaoka	.....	D16/219
2008/0074536	A1	*	3/2008	Tamura	.....	H04N 5/2351 348/371

\* cited by examiner

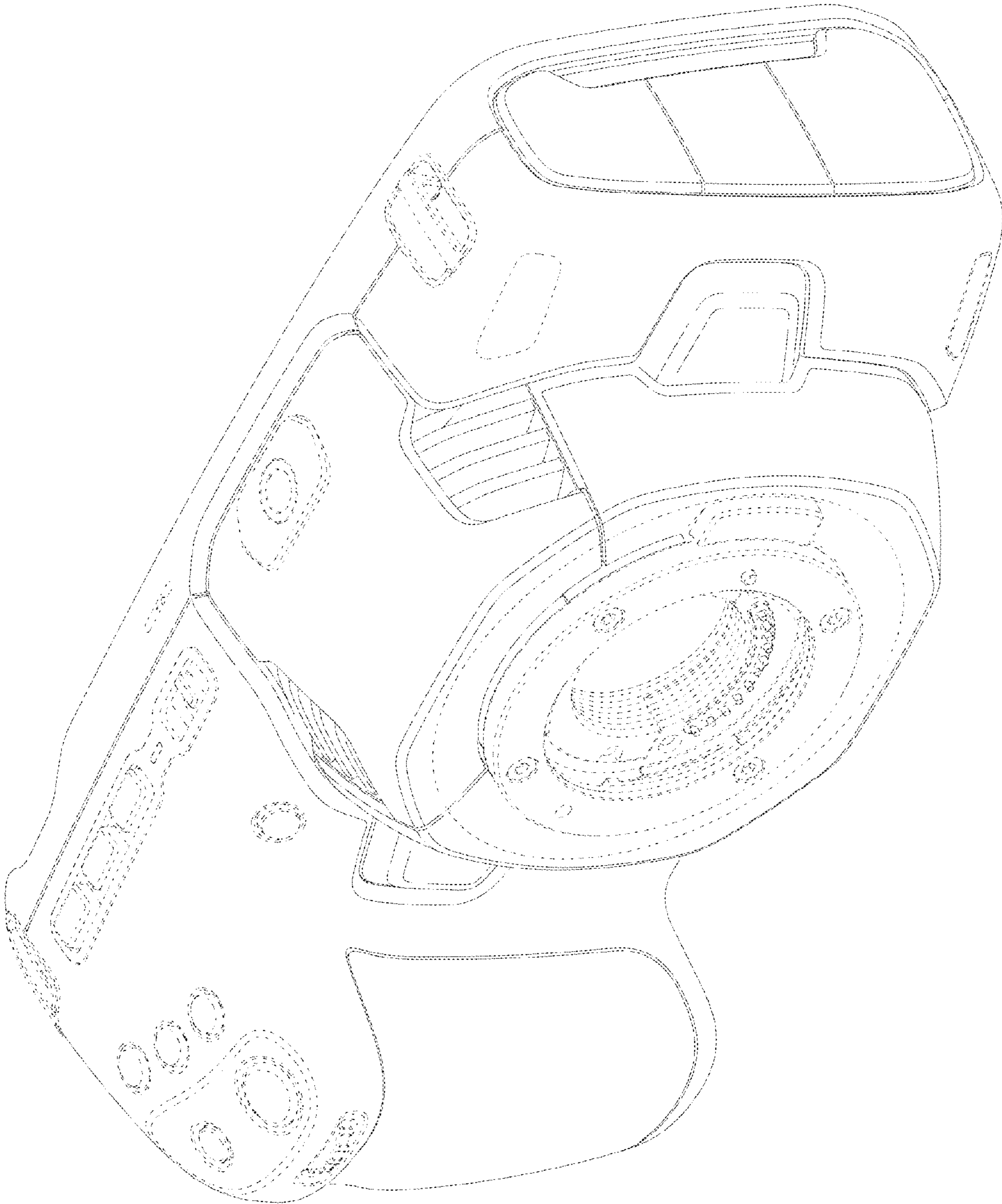


FIG. 1

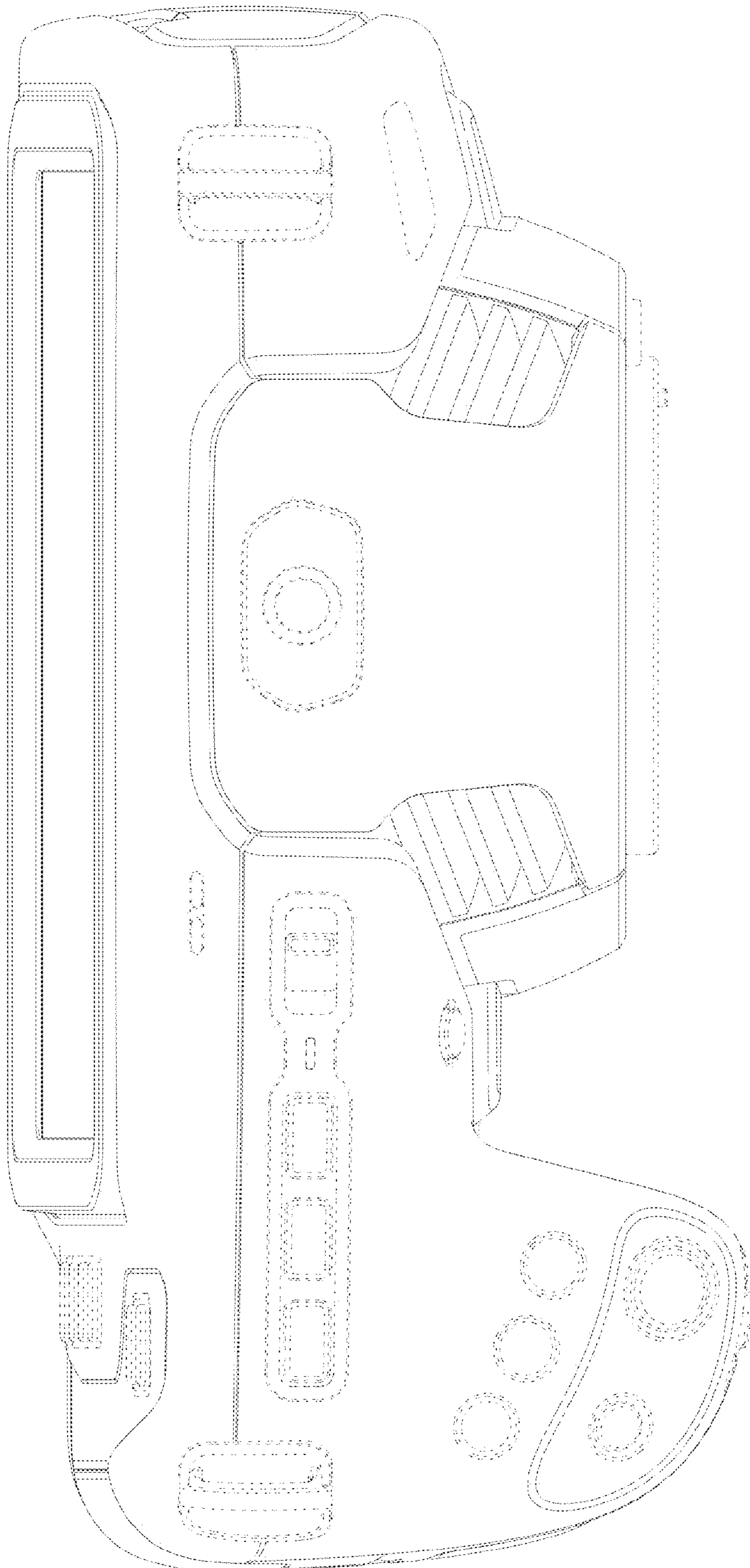


FIG. 2

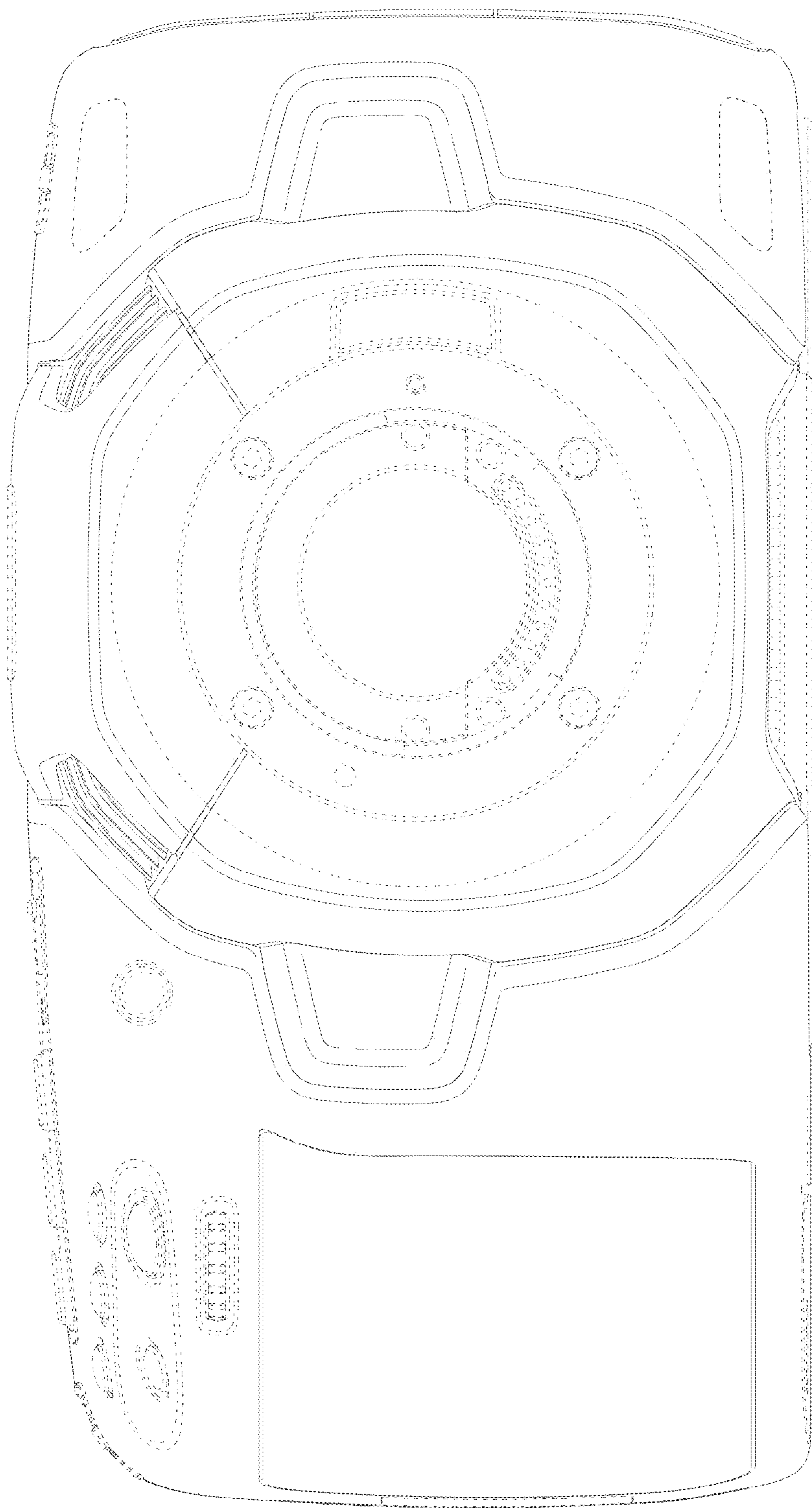


FIG. 3

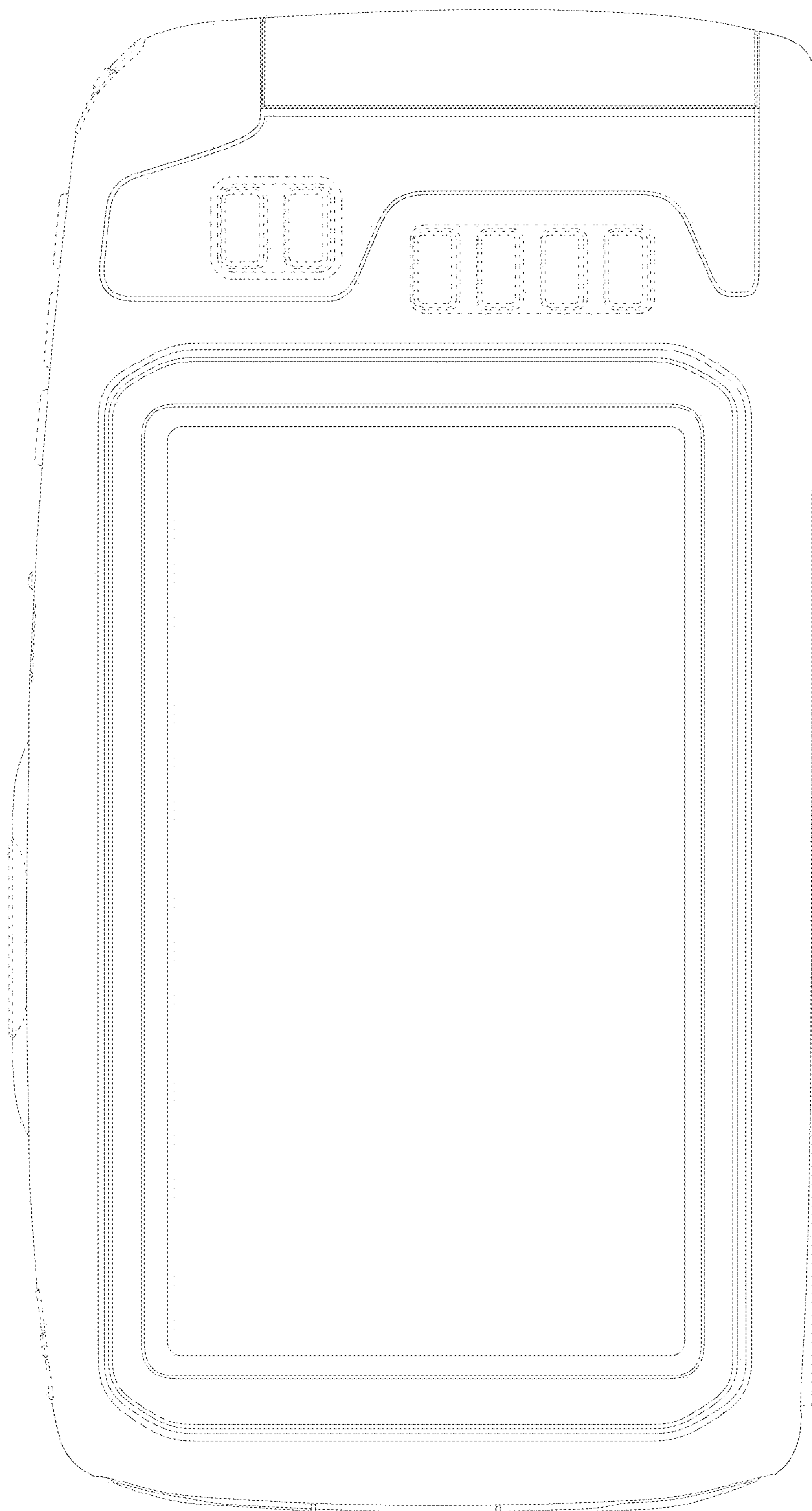


FIG. 4

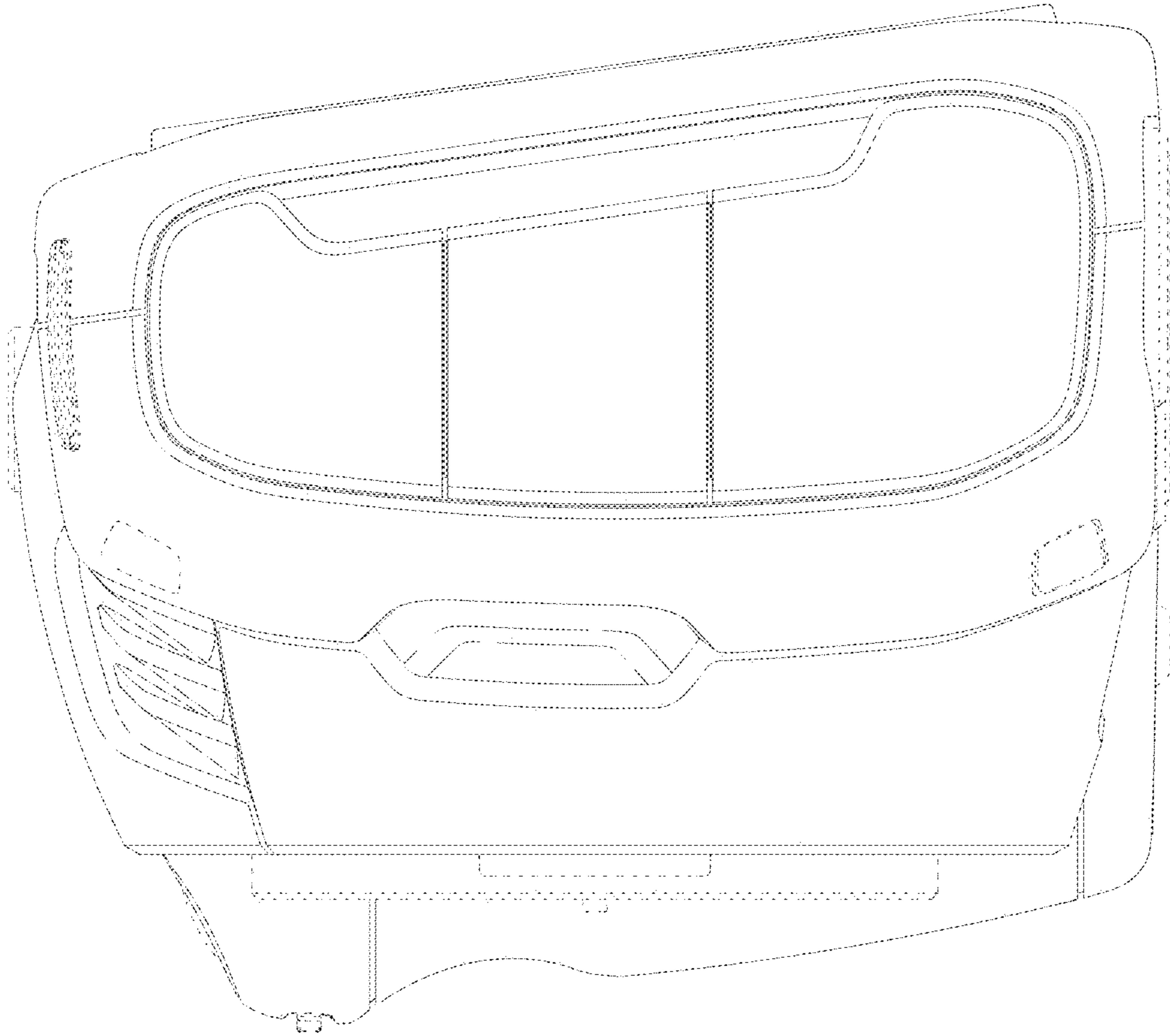


FIG. 5

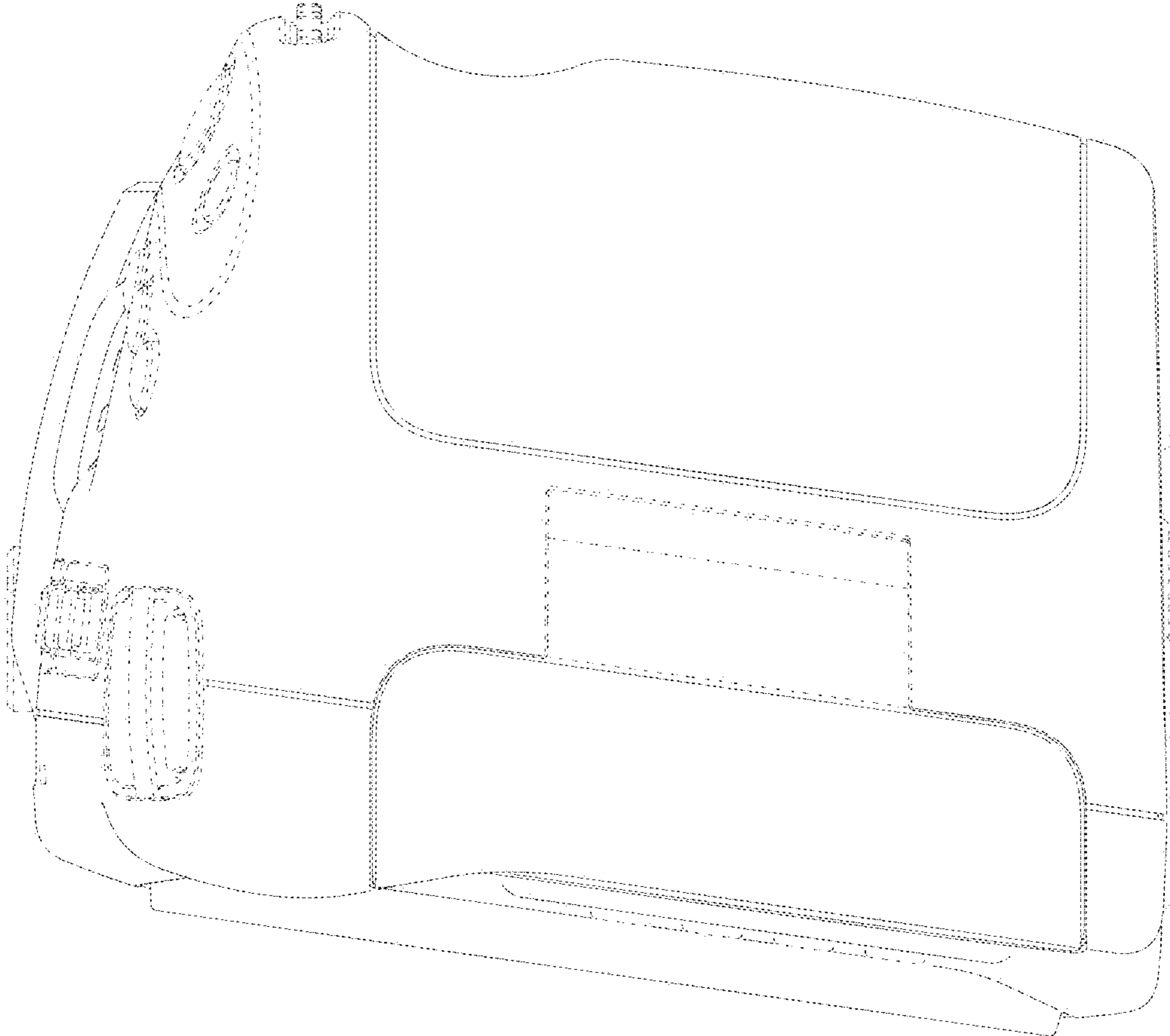


FIG. 6



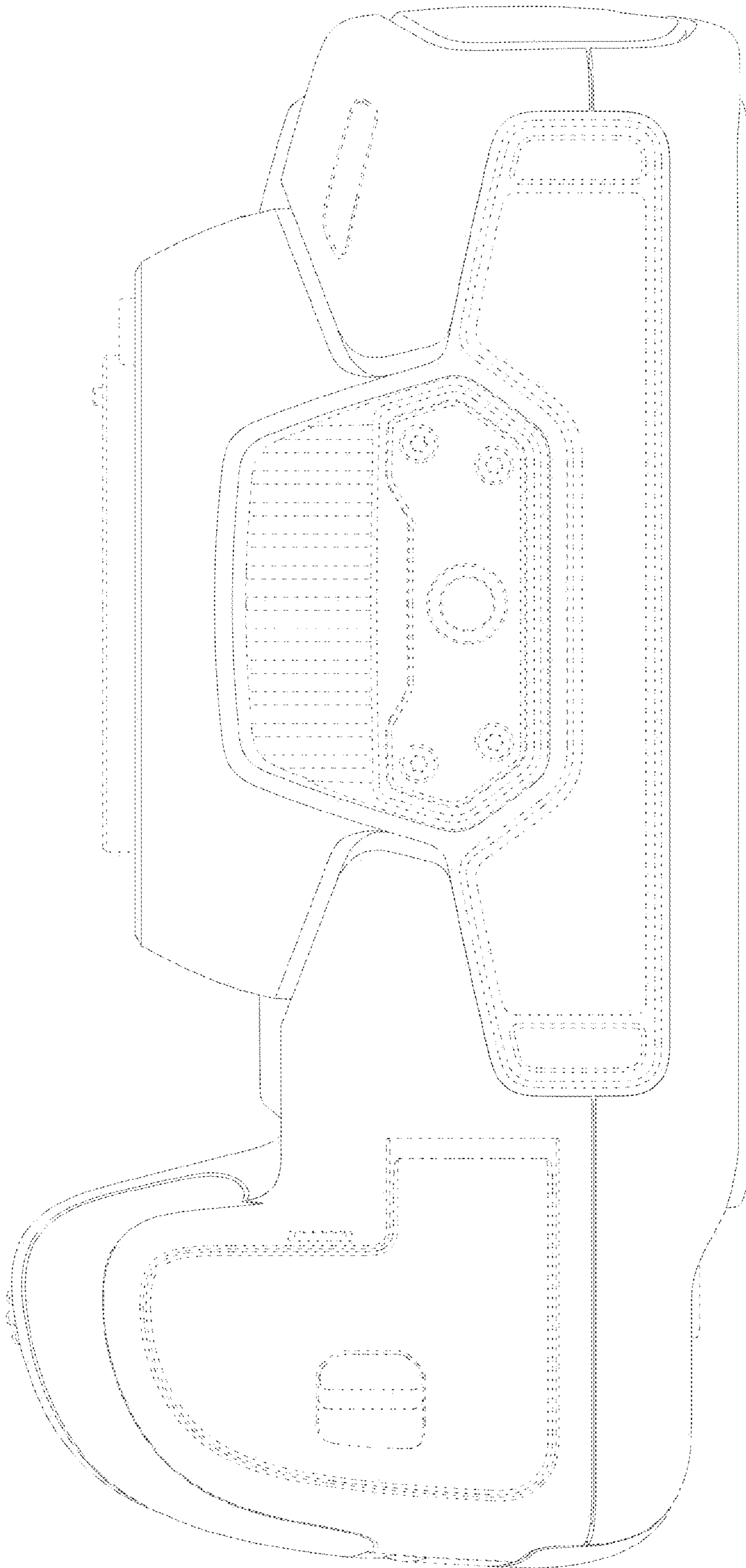


FIG. 7

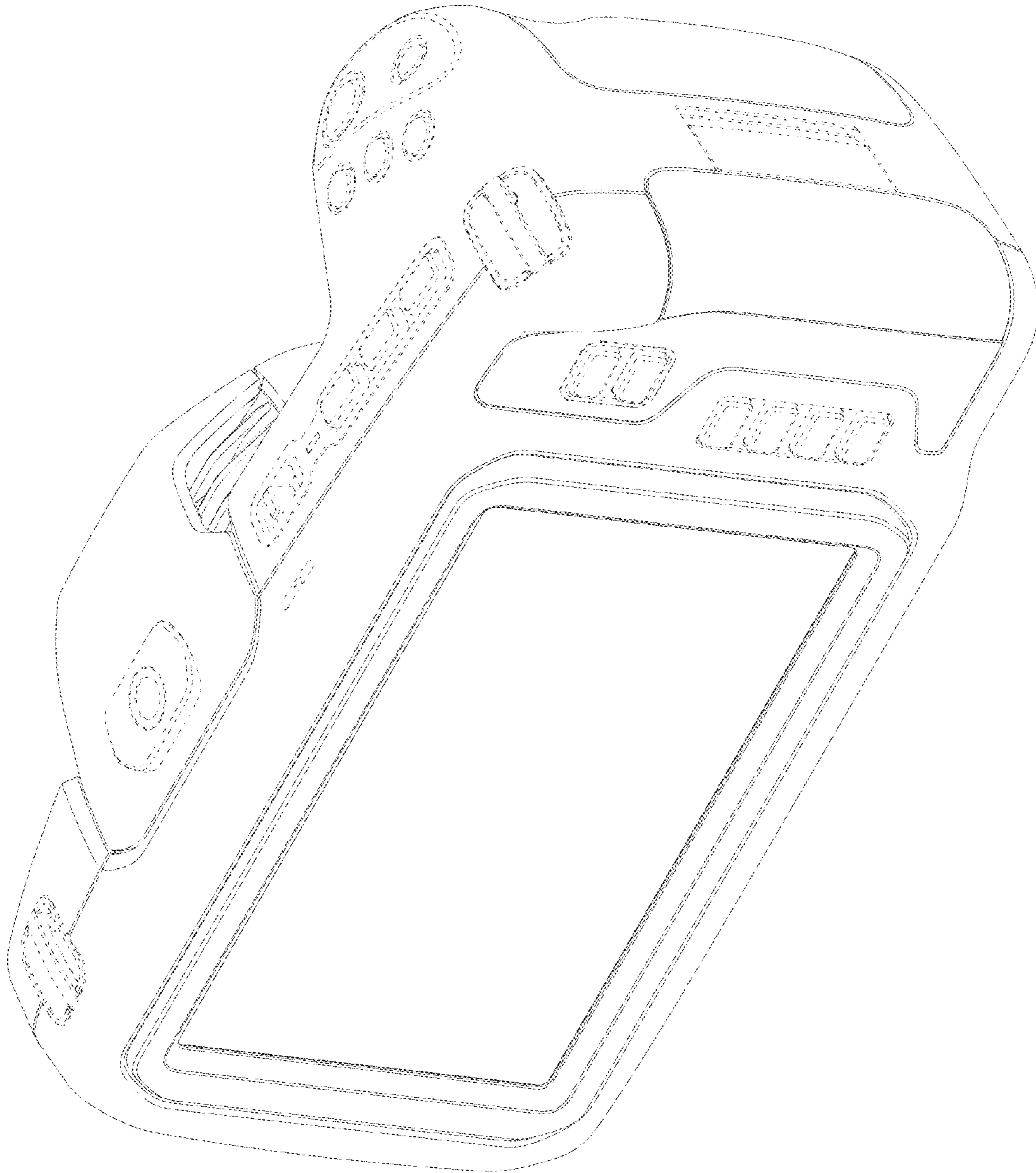


FIG. 8