



US00D894989S

(12) **United States Design Patent**
Hong

(10) **Patent No.:** **US D894,989 S**

(45) **Date of Patent:** **** Sep. 1, 2020**

(54) **MOBILE PHONE SCREEN AMPLIFIER**

(71) Applicant: **Shenzhen Kingamei Technology Co., Ltd**, Shenzhen, Guangdong (CN)

(72) Inventor: **Yiyi Hong**, Nan'an (CN)

(**) Term: **15 Years**

(21) Appl. No.: **29/733,828**

(22) Filed: **May 6, 2020**

(51) **LOC (12) Cl.** **16-06**

(52) **U.S. Cl.**
USPC **D16/135**

(58) **Field of Classification Search**
USPC D16/130, 134, 135, 136; D14/314, 322, D14/334, 335, 336
CPC G01B 3/04
See application file for complete search history.

(56) **References Cited**

U.S. PATENT DOCUMENTS

| | | | | |
|---------------|---------|------------|-------|------------------------|
| D284,087 S * | 6/1986 | Haidinger | | D16/135 |
| 5,048,928 A * | 9/1991 | Davis | | G02B 25/002 348/832 |
| D334,207 S * | 3/1993 | Iaquinto | | D16/135 |
| D366,884 S * | 2/1996 | Sloan | | |
| D382,577 S * | 8/1997 | Waldmann | | D16/135 |
| 5,991,150 A * | 11/1999 | Chiu | | G06F 1/1609 359/742 |
| D470,161 S * | 2/2003 | Lee | | D16/135 |
| D488,493 S * | 4/2004 | Stachowski | | D16/135 |
| D488,824 S * | 4/2004 | Hussaini | | D16/135 |
| D488,825 S * | 4/2004 | Hussaini | | D16/135 |

| | | | | |
|----------------|---------|-----------|-------|------------------------|
| D555,163 S * | 11/2007 | Beilstein | | D14/447 |
| D563,960 S * | 3/2008 | Beilstein | | D14/447 |
| D633,541 S * | 3/2011 | Khubani | | D16/135 |
| D634,762 S * | 3/2011 | Levine | | D16/135 |
| D646,312 S * | 10/2011 | Suzuki | | D16/135 |
| D658,697 S * | 5/2012 | Jim | | D16/135 |
| D661,329 S * | 6/2012 | Hui | | D16/135 |
| 8,922,918 B1 * | 12/2014 | Morris | | G02B 27/026 359/804 |
| D756,442 S * | 5/2016 | Bourque | | D16/225 |
| D758,471 S * | 6/2016 | van Hees | | D16/225 |
| D761,249 S * | 7/2016 | Liang | | D14/315 |
| D776,736 S * | 1/2017 | Aquino | | D16/135 |

* cited by examiner

Primary Examiner — Holly E Thurman
(74) *Attorney, Agent, or Firm* — ZanIP

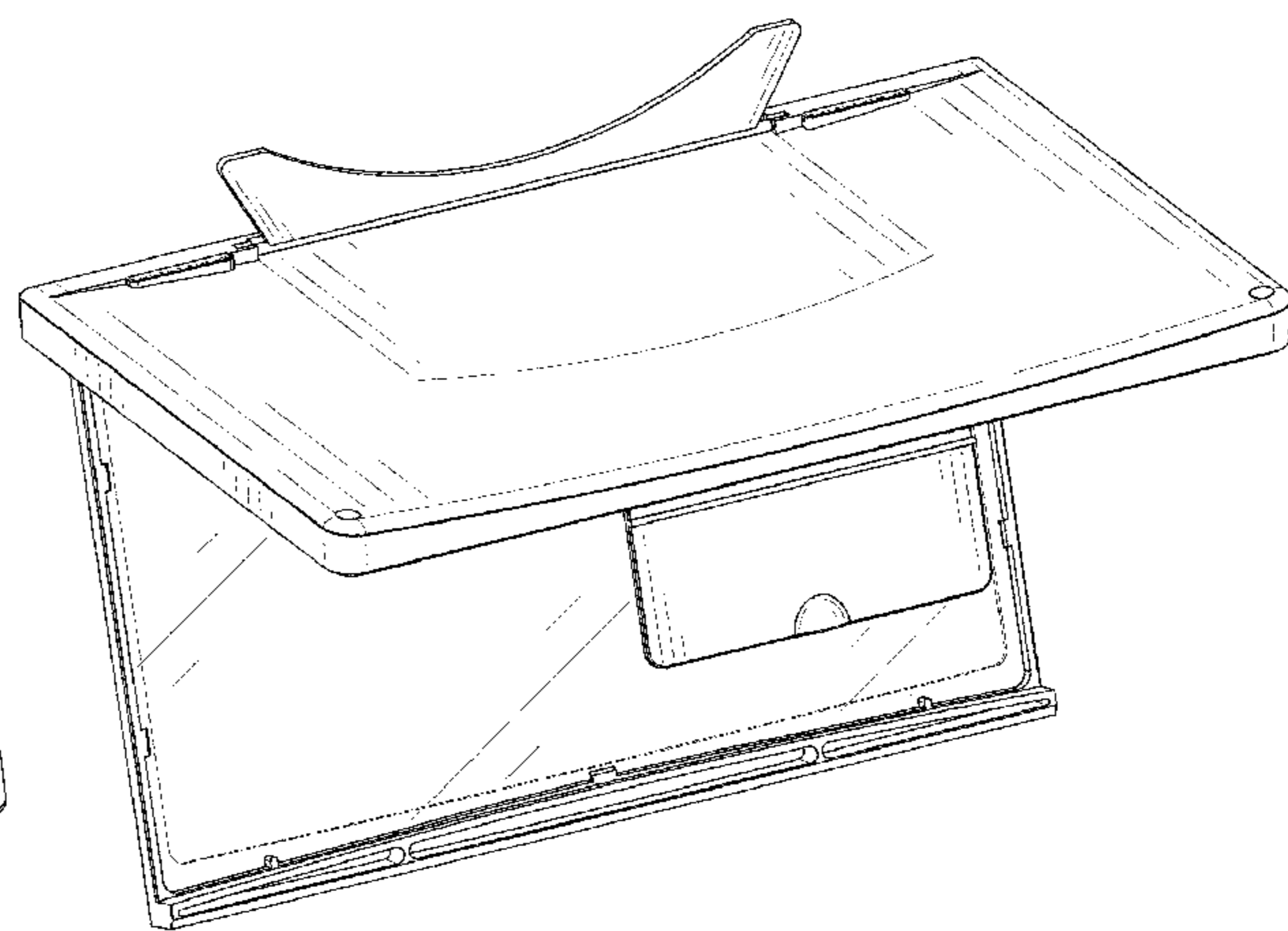
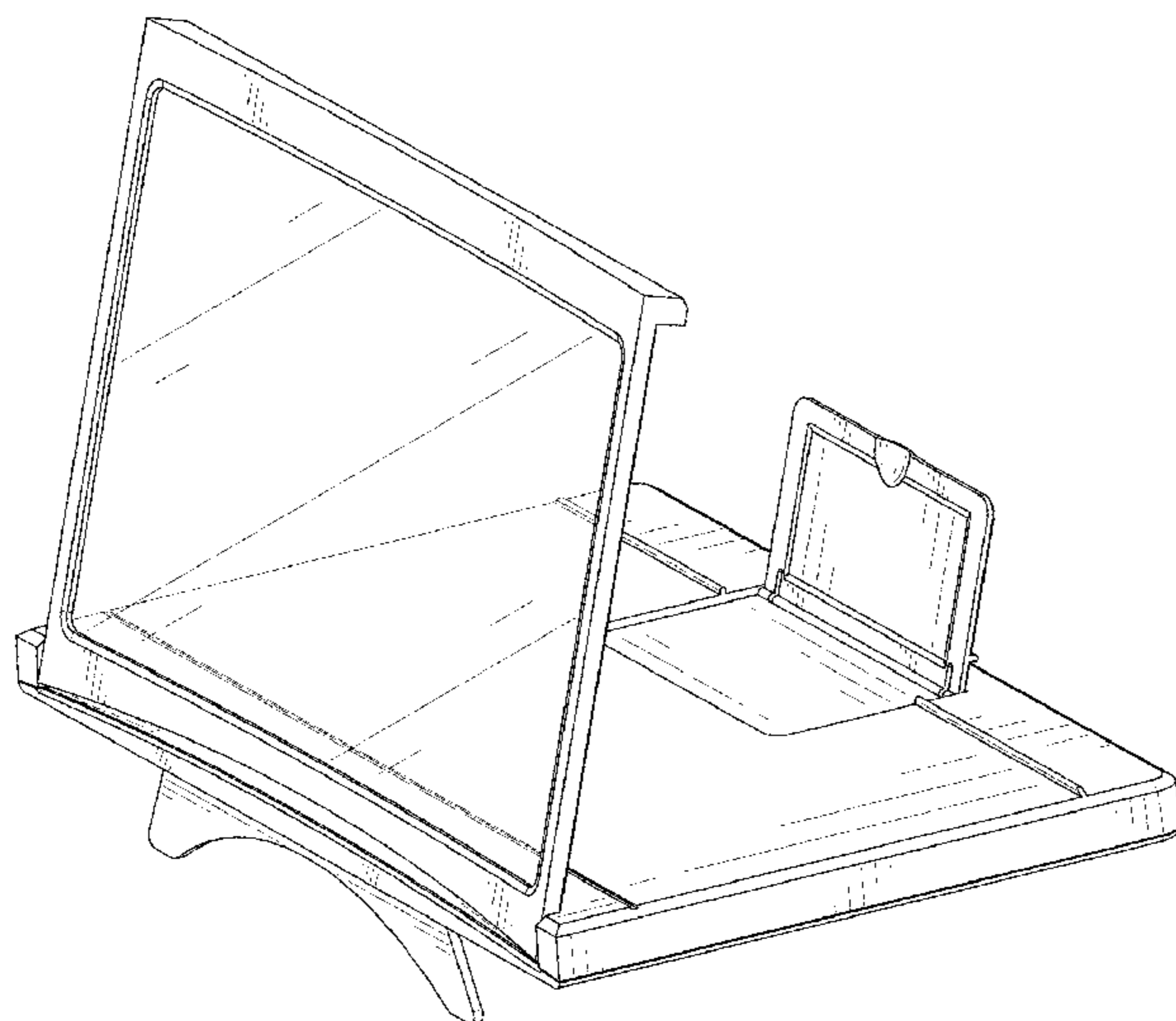
(57) **CLAIM**

The ornamental design for a mobile phone screen amplifier, as shown and described.

DESCRIPTION

FIG. 1 is a front and top perspective view of a mobile phone screen amplifier, showing my new design;
FIG. 2 is a rear and bottom perspective view thereof;
FIG. 3 is a front elevational view thereof;
FIG. 4 is a rear elevational view thereof;
FIG. 5 is a left side elevational view thereof;
FIG. 6 is a right side elevational view thereof;
FIG. 7 is a top plan view thereof;
FIG. 8 is a bottom plan view thereof; and,
FIG. 9 is a perspective view thereof, showing the mobile phone screen amplifier in a folded position.

1 Claim, 9 Drawing Sheets



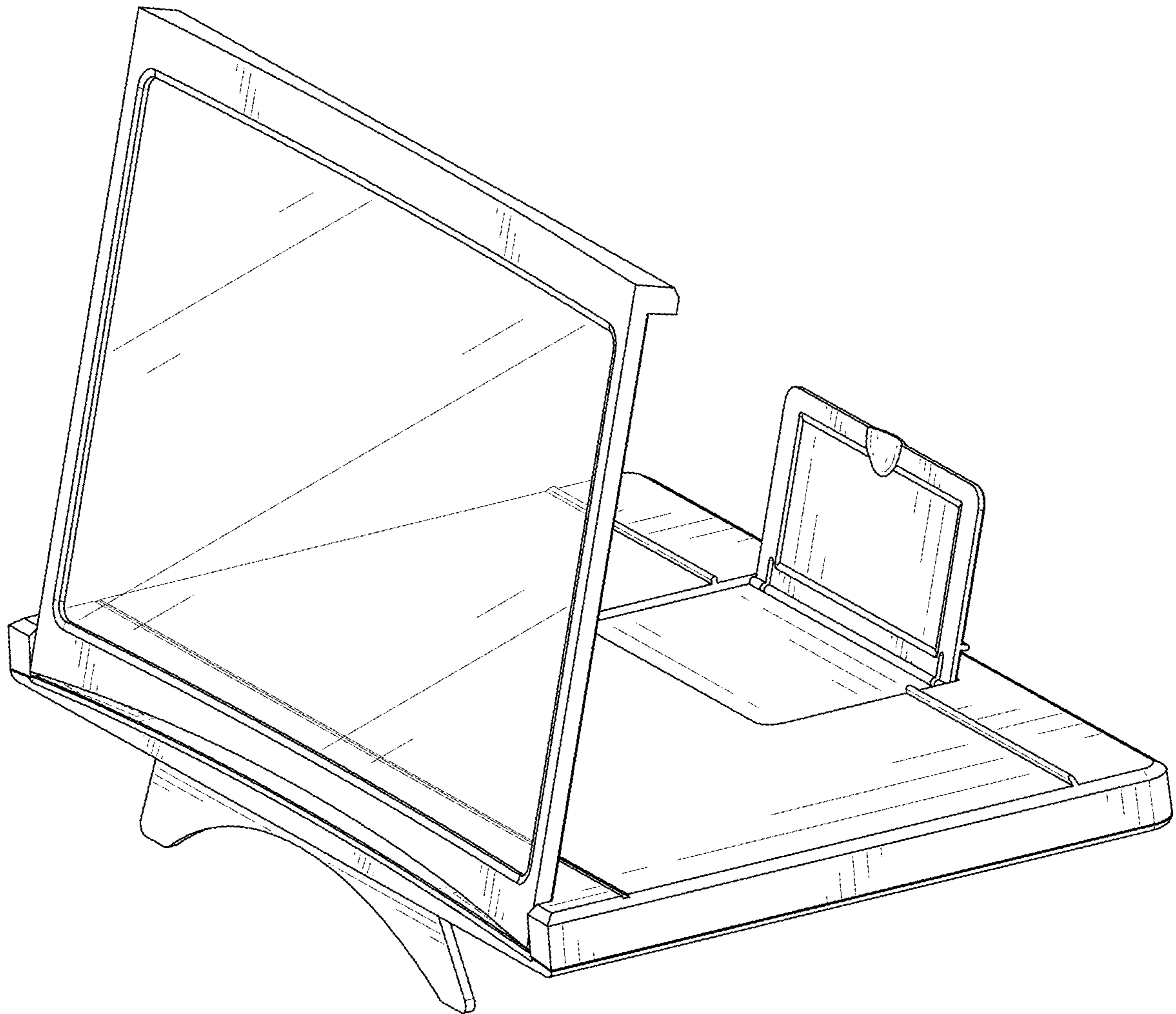


FIG. 1

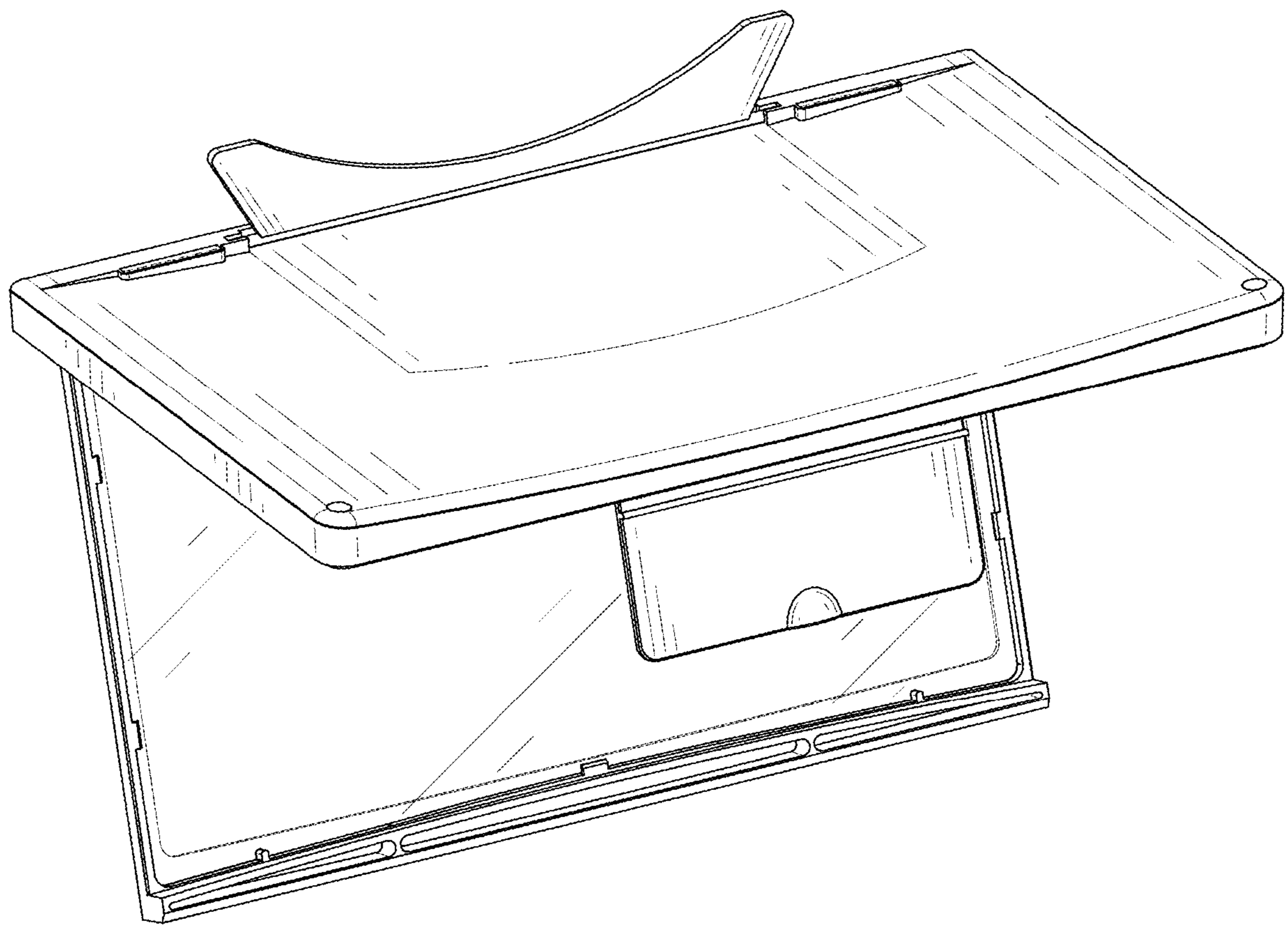


FIG. 2

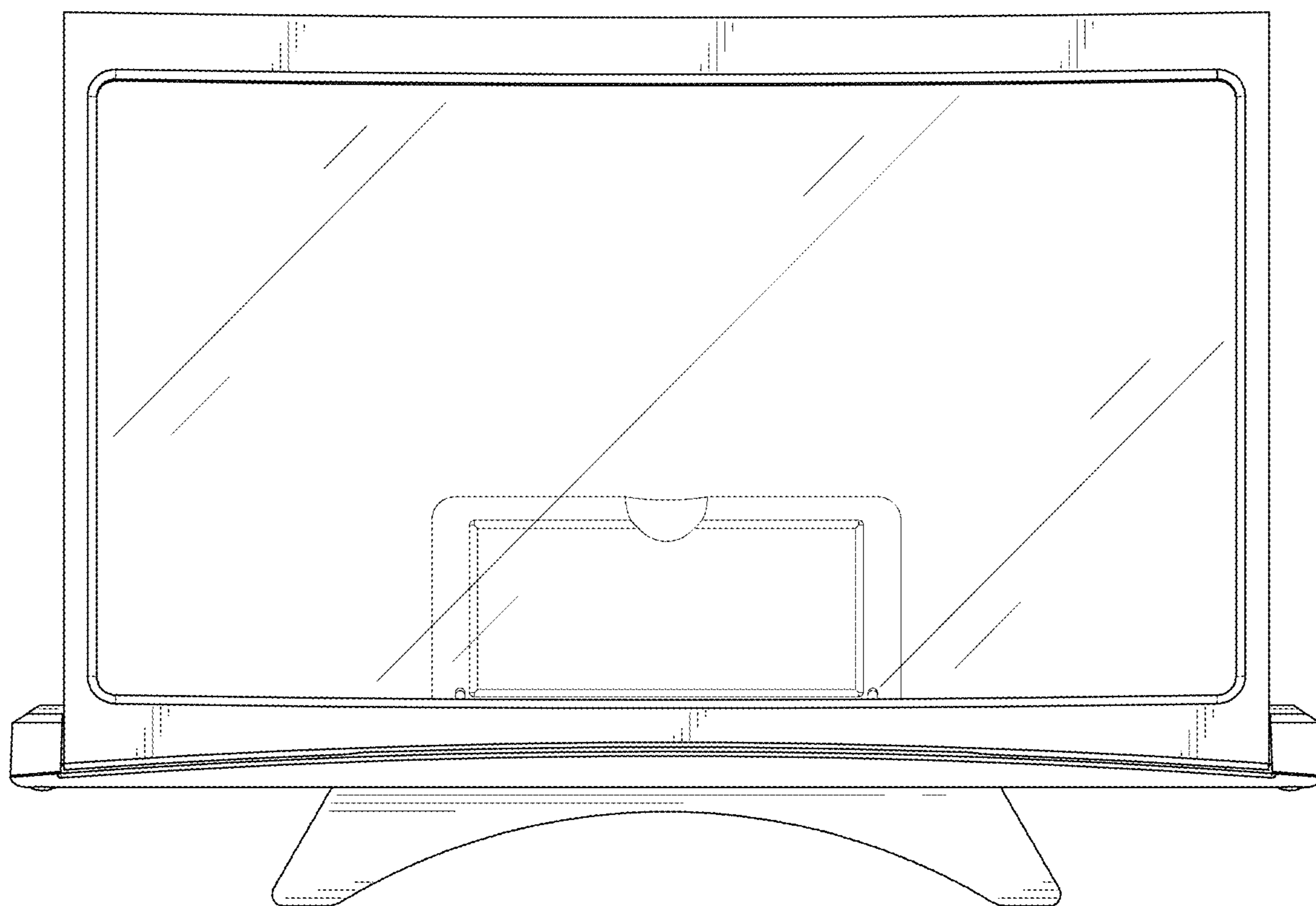


FIG. 3

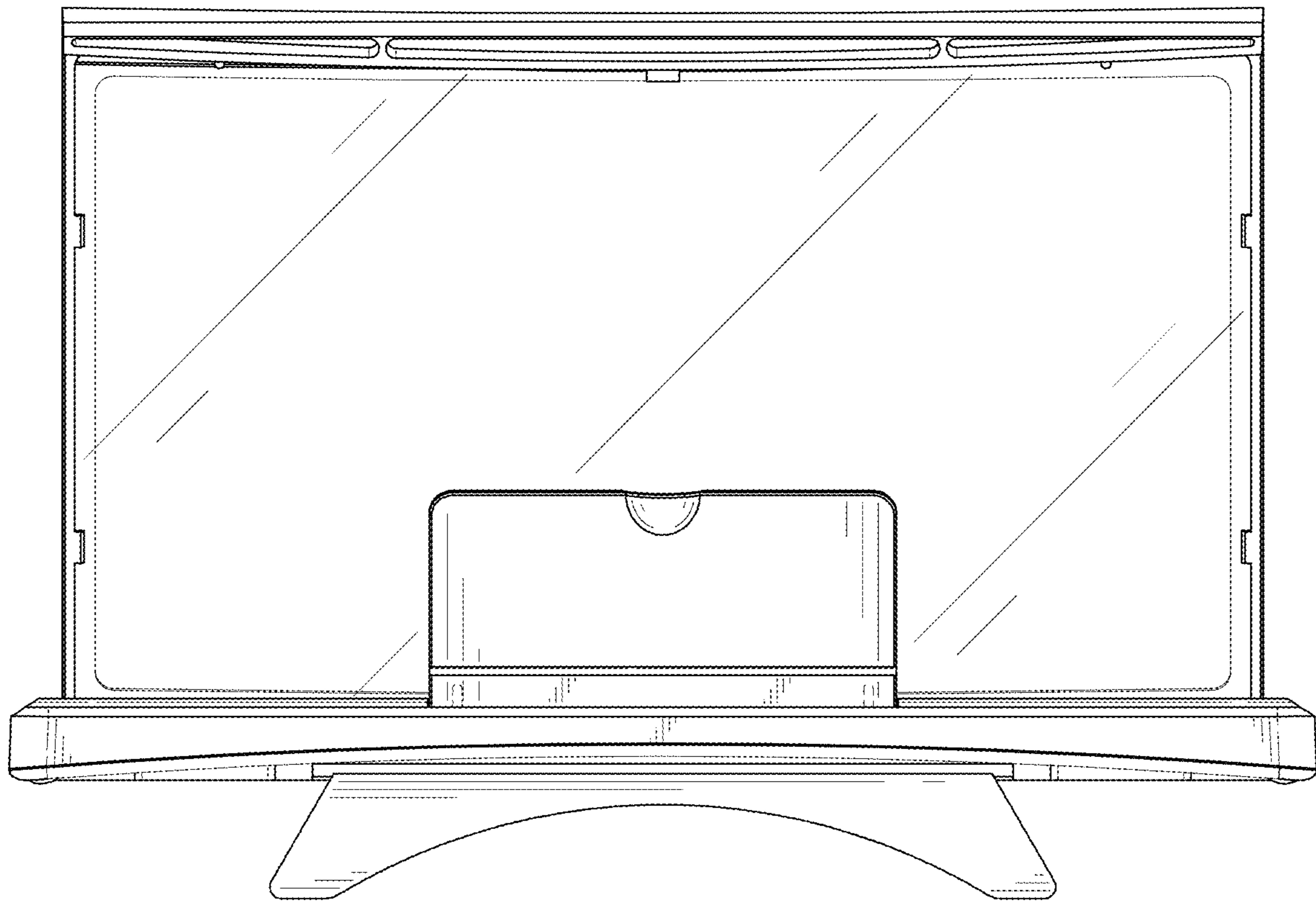


FIG. 4

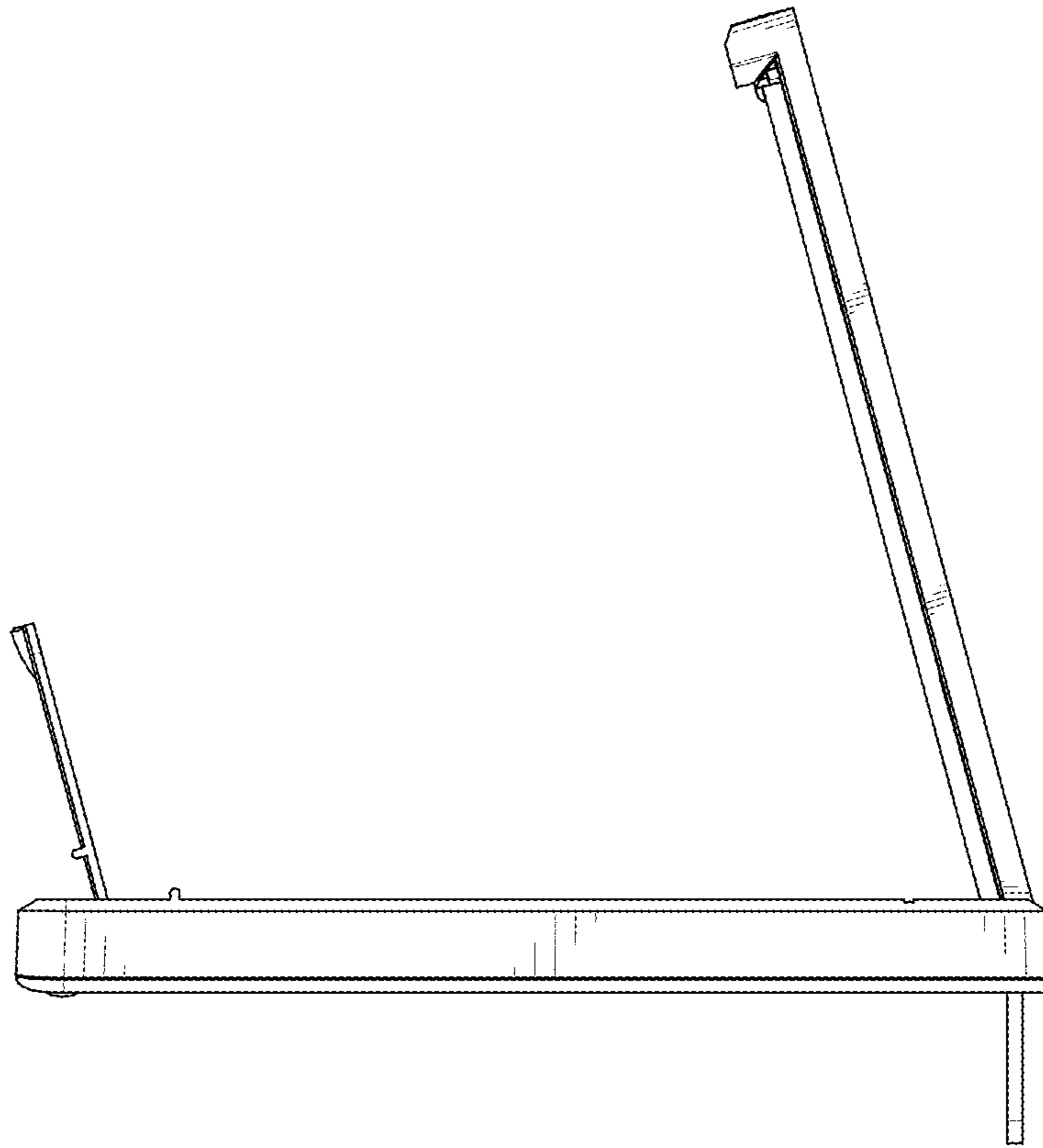


FIG. 5

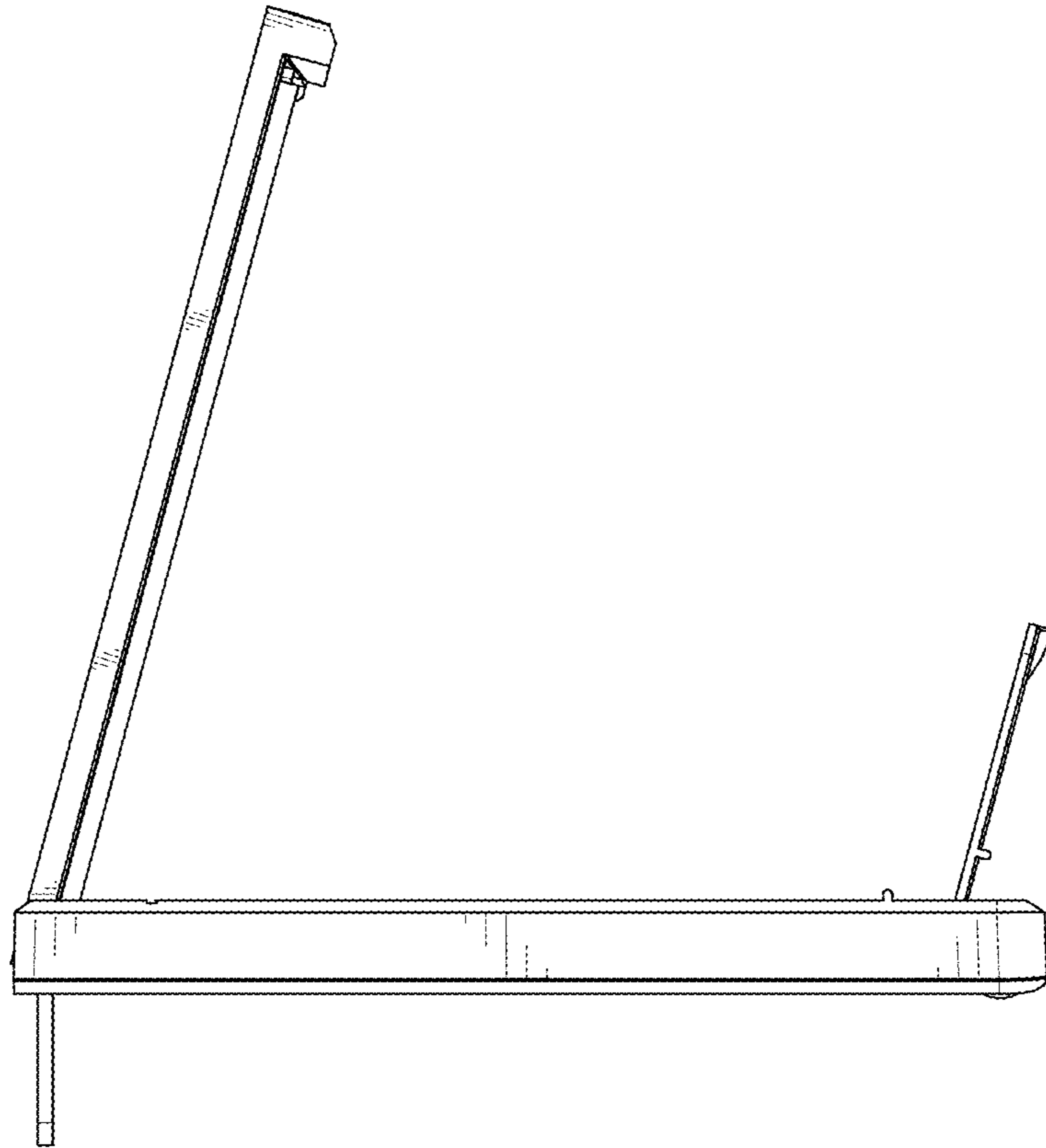


FIG. 6

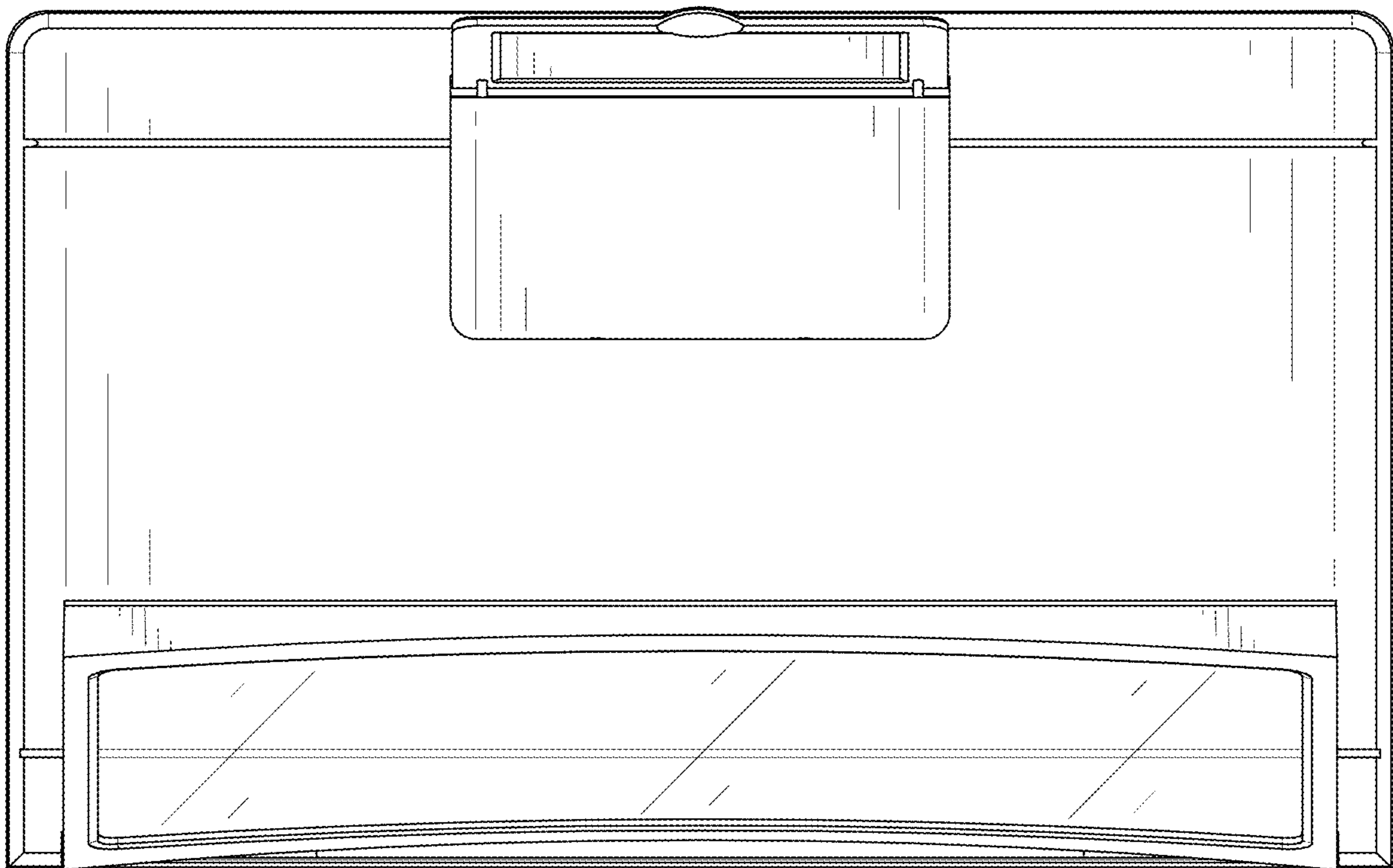


FIG. 7

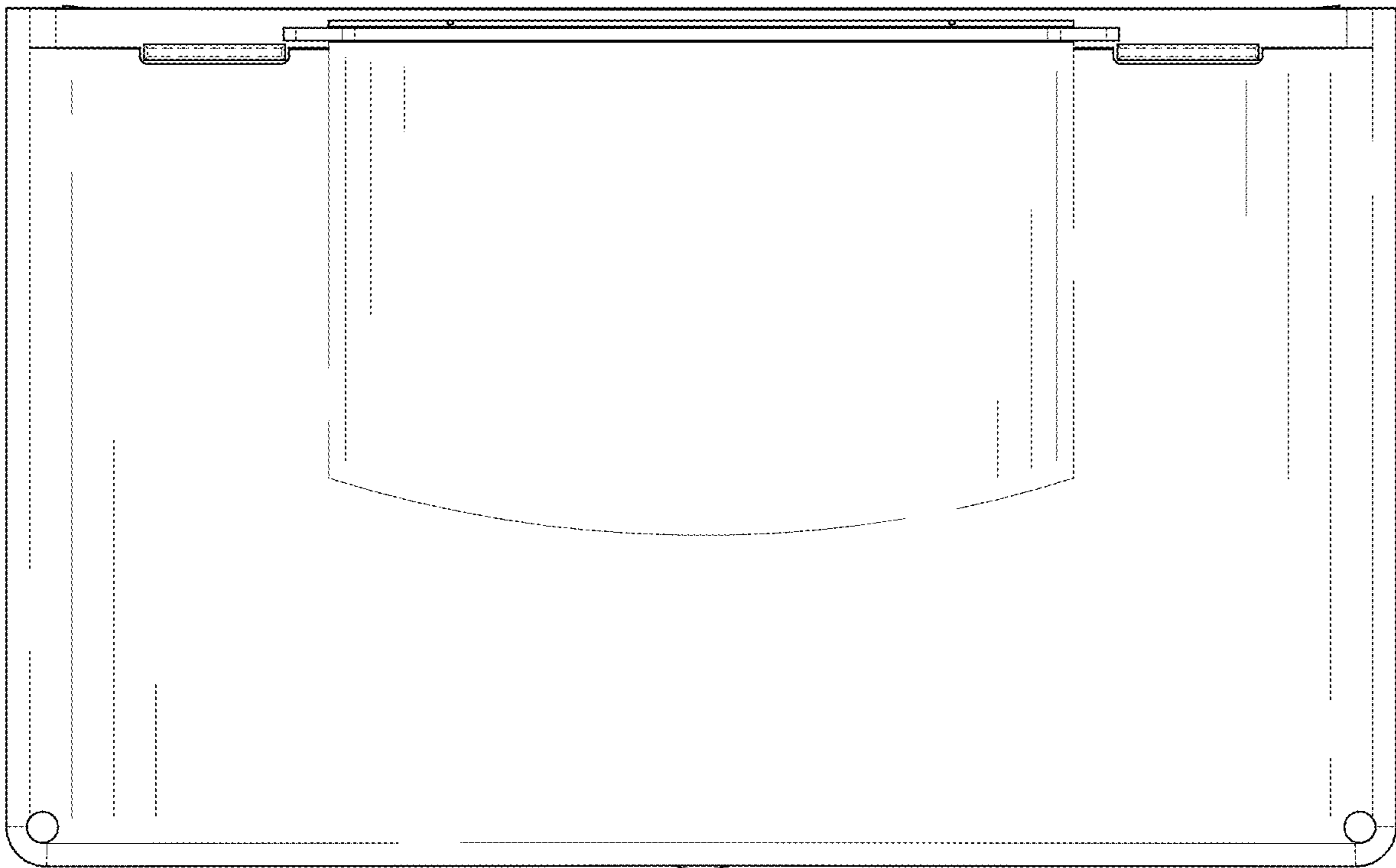


FIG. 8

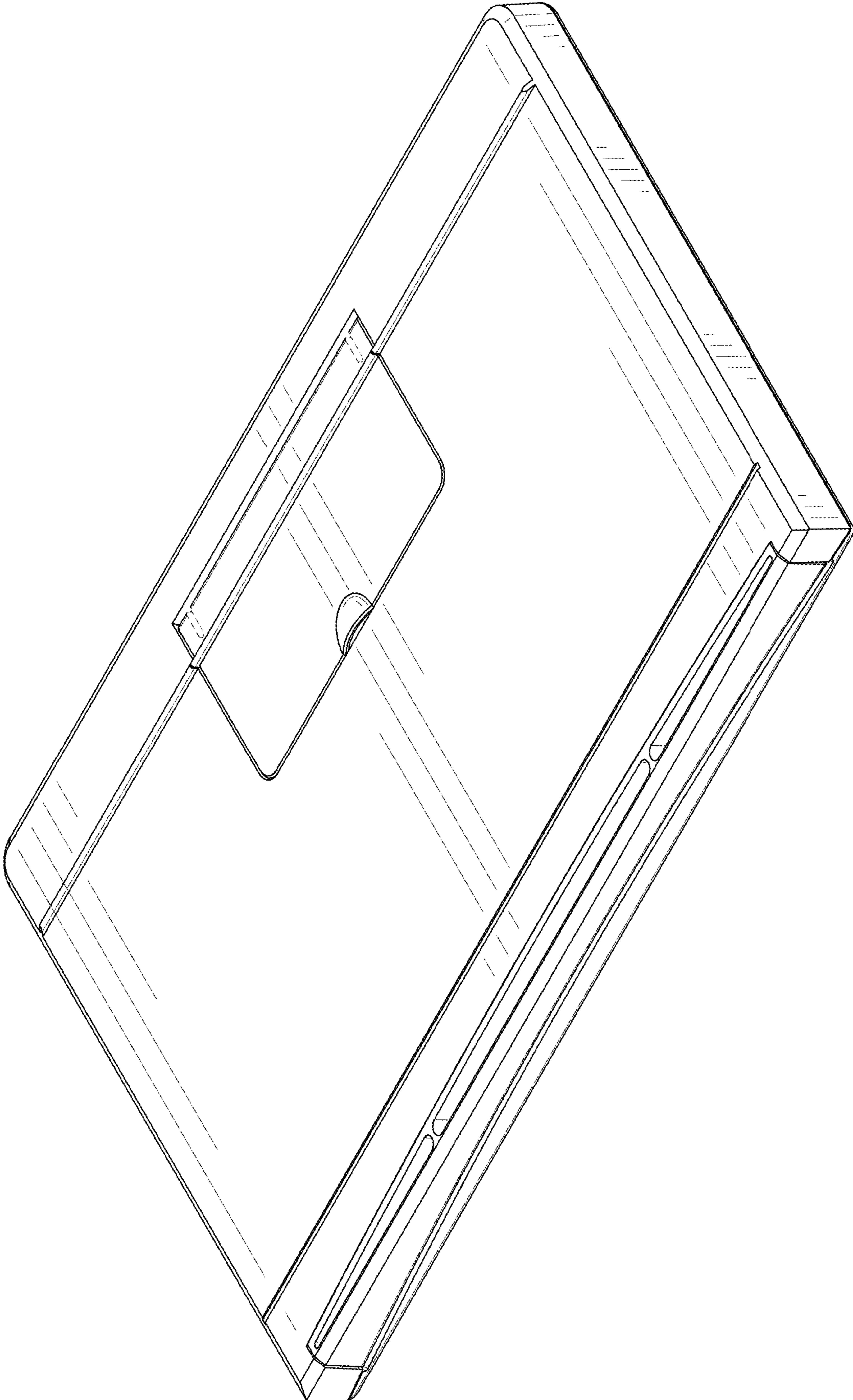


FIG. 9